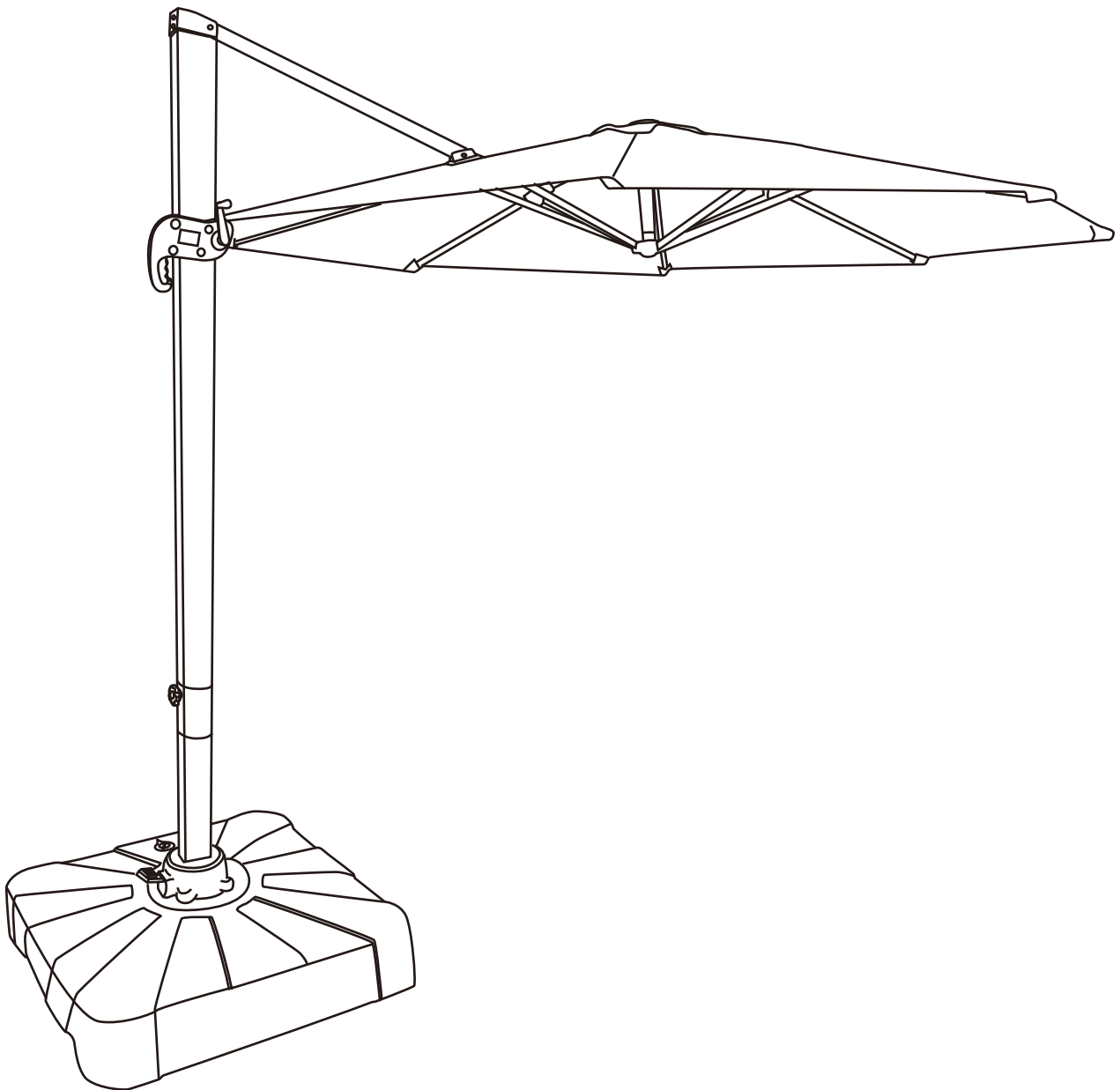

11ft Aluminum Offset Umbrella With Stand



User Manual

General Guidelines

- Please read the following instructions carefully and use the product accordingly.
- Please keep this manual and hand it over when you transfer the product.
- This summary may not include every detail of all variations and considered steps. Please contact us when further information and help are needed.

Notes

- Personal injury and/or damage to the product may occur if products are used outside of their intended purposes and/or if products have been changed/modified from their original design. The product must be assembled and used in accordance with the provisions of the manual. The seller does not assume any responsibility or liability with respect to any damage caused by incorrect assembly or improper use.
- Carefully check accessories when opening the package. If anything is missing or damaged, please contact us immediately.
- This parasol is only used for shading and decoration purposes.
- Store the parasol in a dry, sheltered place, such as a garage or basement during high winds, rainy days, and the off-season.
- Never force your parasol open. Umbrella mechanics should open gently and easily.
- Do not use sharp tools or equipment such as a knife or scissors when removing the protective material, as it may damage the product.
- Do not use the parasol without an umbrella stand.

Warnings

- Keep children away when assembling the product. Small parts are included in the package; they may be fatal if swallowed or inhaled.
- To avoid the potential dangers of suffocation, please keep all parts and packaging (film, plastic bags, foam, etc.) away from babies and children.
- Keep the parasol away from fire; do not use it during extreme cold and heat, and severe weather like rainy, windy, snowy days, and hailstorms, etc.

Daily Maintenance

- Clean the canopy with a soft cloth moistened with a neutral detergent. Store it after completely drying, which will help reduce the growth of mold.
- Do not machine wash, do not dry.
- Do not iron.

A – (1) Main Umbrella

B – (1) Plastic Water Fillable Stand

C – (1) Swivel Mechanism

D – (1) Base Pole

E – (1) Swivel Cover

F – (1) Allen Wrench

G2 – (8) Stainless Bolt (M8 x0.63IN)

H – (8) Washer

I - (1) Threaded Knob

J - (1) Crank Handle

K - (1) Umbrella Cover

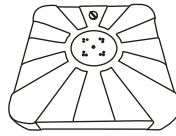
L - (1) Connector

M - (1) Lower Pole

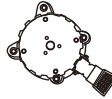
A



B



C



D



E



F



G2



H



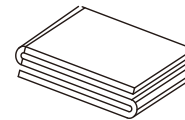
I



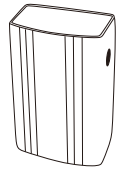
J



K



L



M



SAFETY INFORMATION

Please read and understand this entire manual before attempting to assemble or install the product.

- Assemble on level ground.
- Keep children away from assembly area.
- Two adults are required for safe assembly.
- The stand is quite heavy (220lbs) after being filled with water, special attention is necessary for your safety.
- In case you want to move the umbrella to a new place, please close the umbrella and release the water out of the stand first.

PREPARATION

Before beginning assembly of product, make sure all parts are present. Compare parts with package contents list. If any part is missing or damaged, do not attempt to assemble the product.

Estimated Assembly Time: 30 Minutes

CARE AND MAINTENANCE

Clean with mild soap and lukewarm water, rinse and air dry.

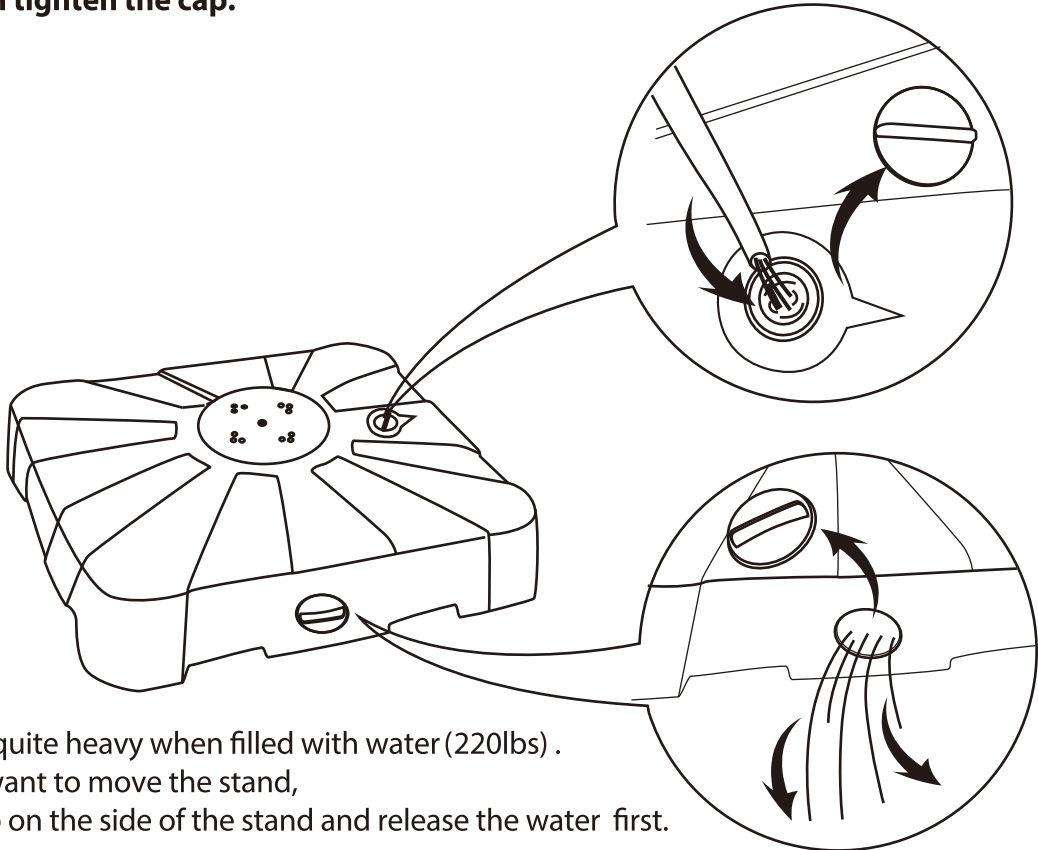
**When not in use, close and cover the umbrella with a protective cover (included).
The umbrella must be closed in windy weather to avoid any damages.**

Store the product indoors in a cool and dry place.

ASSEMBLY INSTRUCTIONS

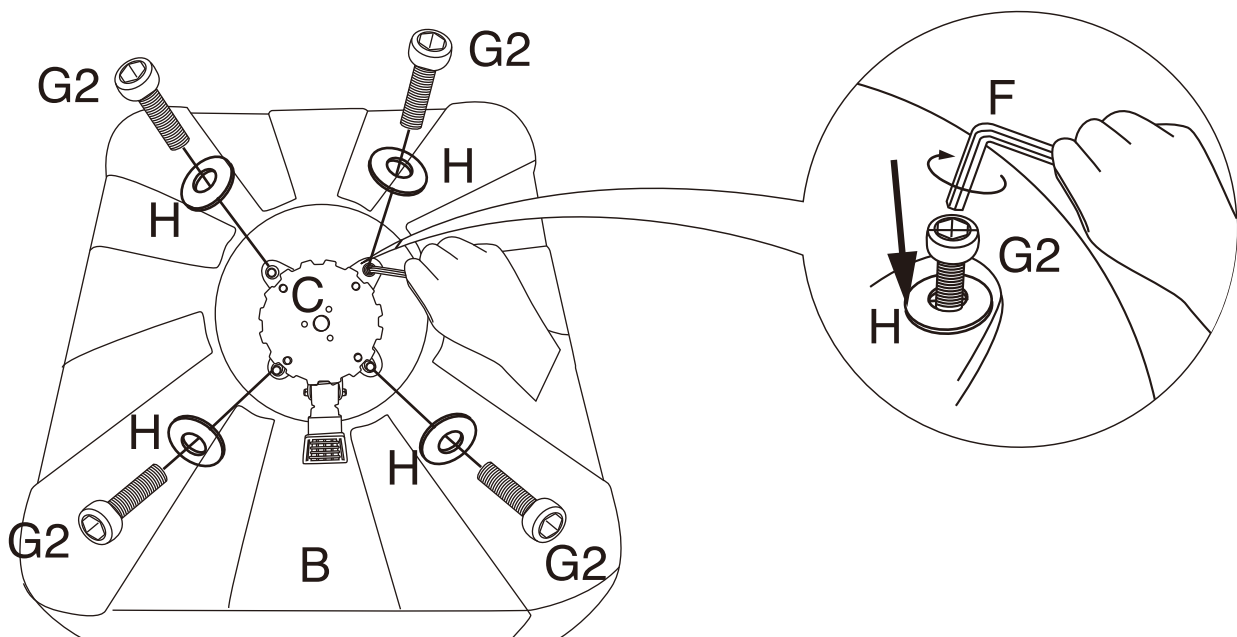
Carefully check all packaging materials before discarding.
Do not assemble if there are missing pieces.

Step 1 Place the stand (part B) on a level ground where you intend to locate your umbrella.
Open the cap on the top of the stand and fill the stand with water.
Then tighten the cap.

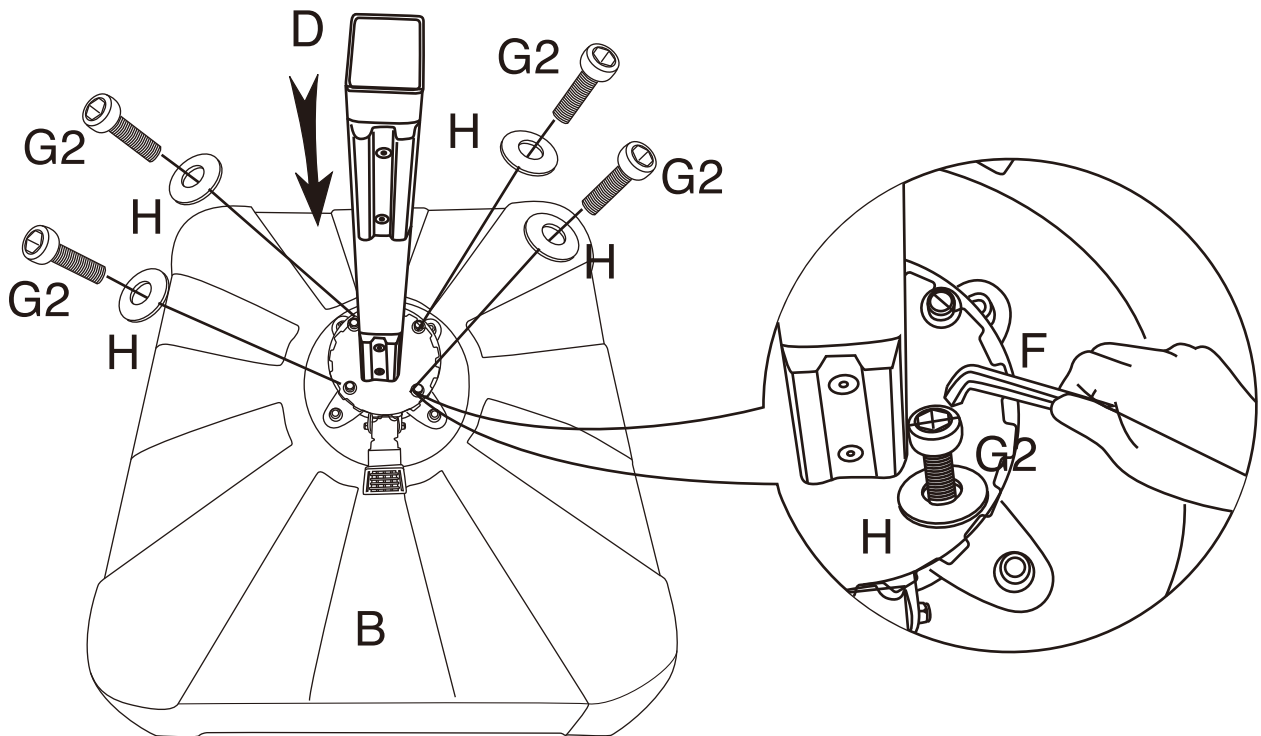


The stand is quite heavy when filled with water (220lbs).
In case you want to move the stand,
open the cap on the side of the stand and release the water first.

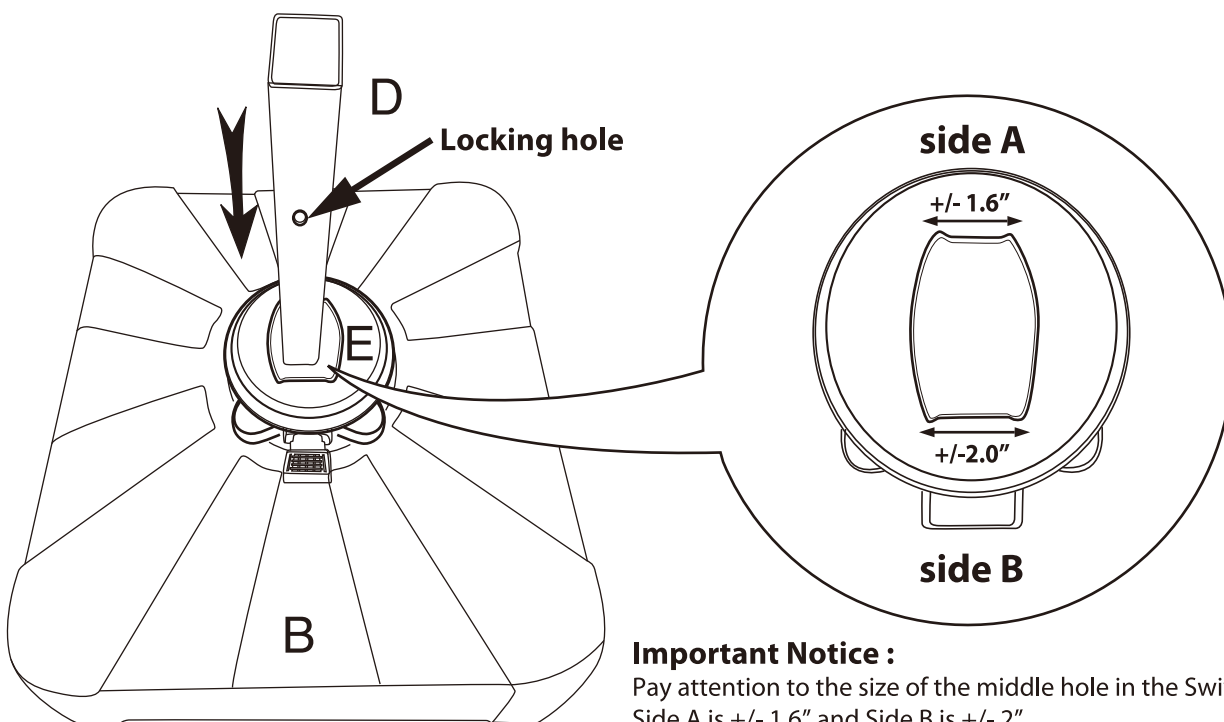
Step 2 Attach the Swivel Mechanism (part C) on top of the stand (part B) with bolts (part G2) washers (part H) and Allen wrench (part F).



Step 3 Attach the Base Pole (part D) on top of the Swivel Mechanism (part C) with bolts (part G2), washers (part H), and Allen wrench (part F).



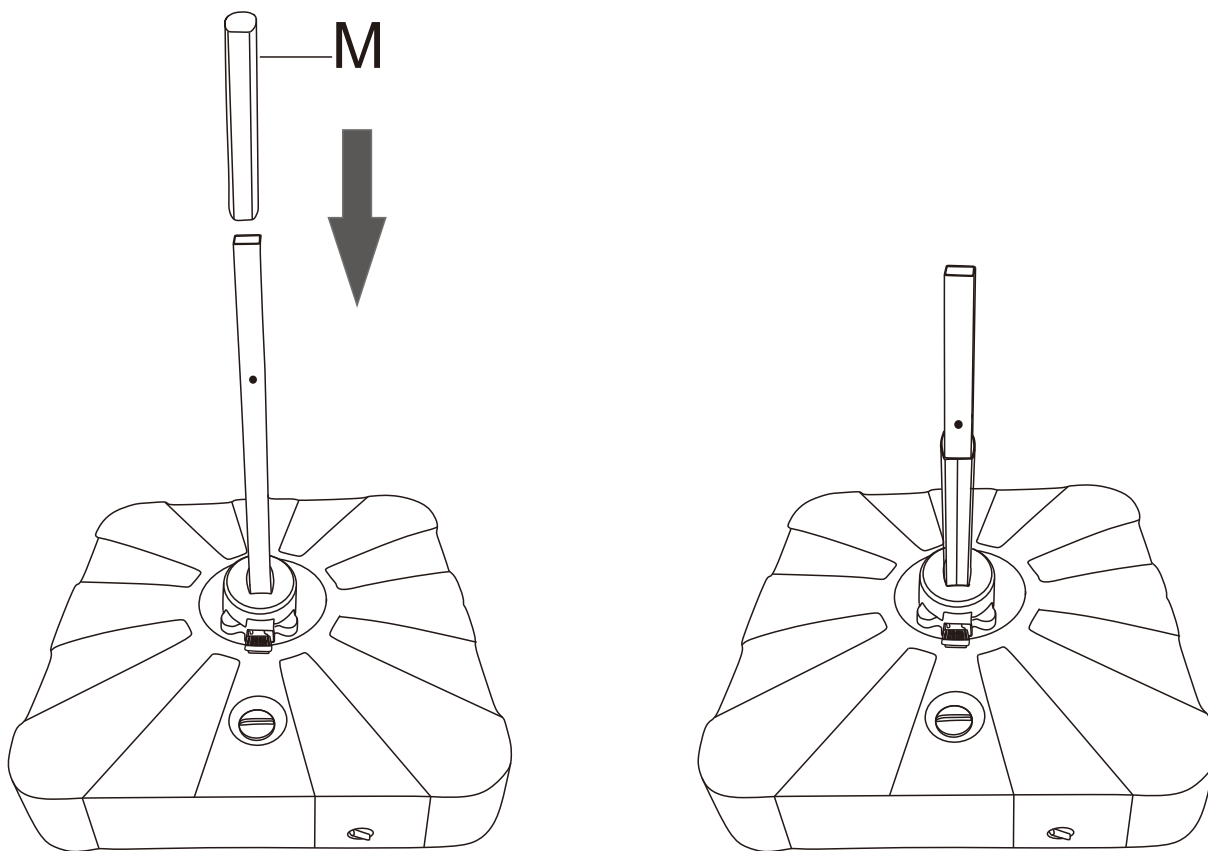
Step 4 Place the Swivel Cover (part E) over the Base Pole (part D) .



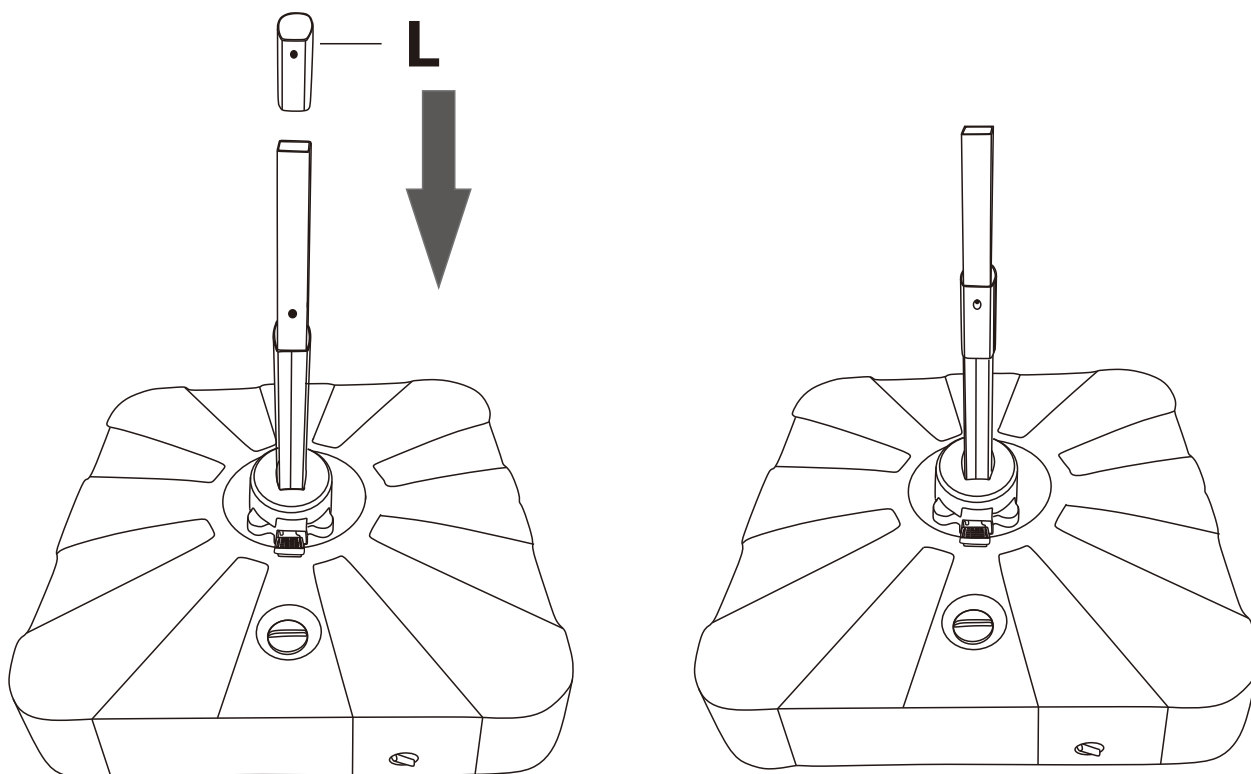
Important Notice :

Pay attention to the size of the middle hole in the Swivel Cover (part E). Side A is +/- 1.6" and Side B is +/- 2". Side B on the Swivel Cover (part E) and the locking hole on the Base Pole (part D) must be on the same side.

Step 5 Place the lower pole (part M) on the base as below.

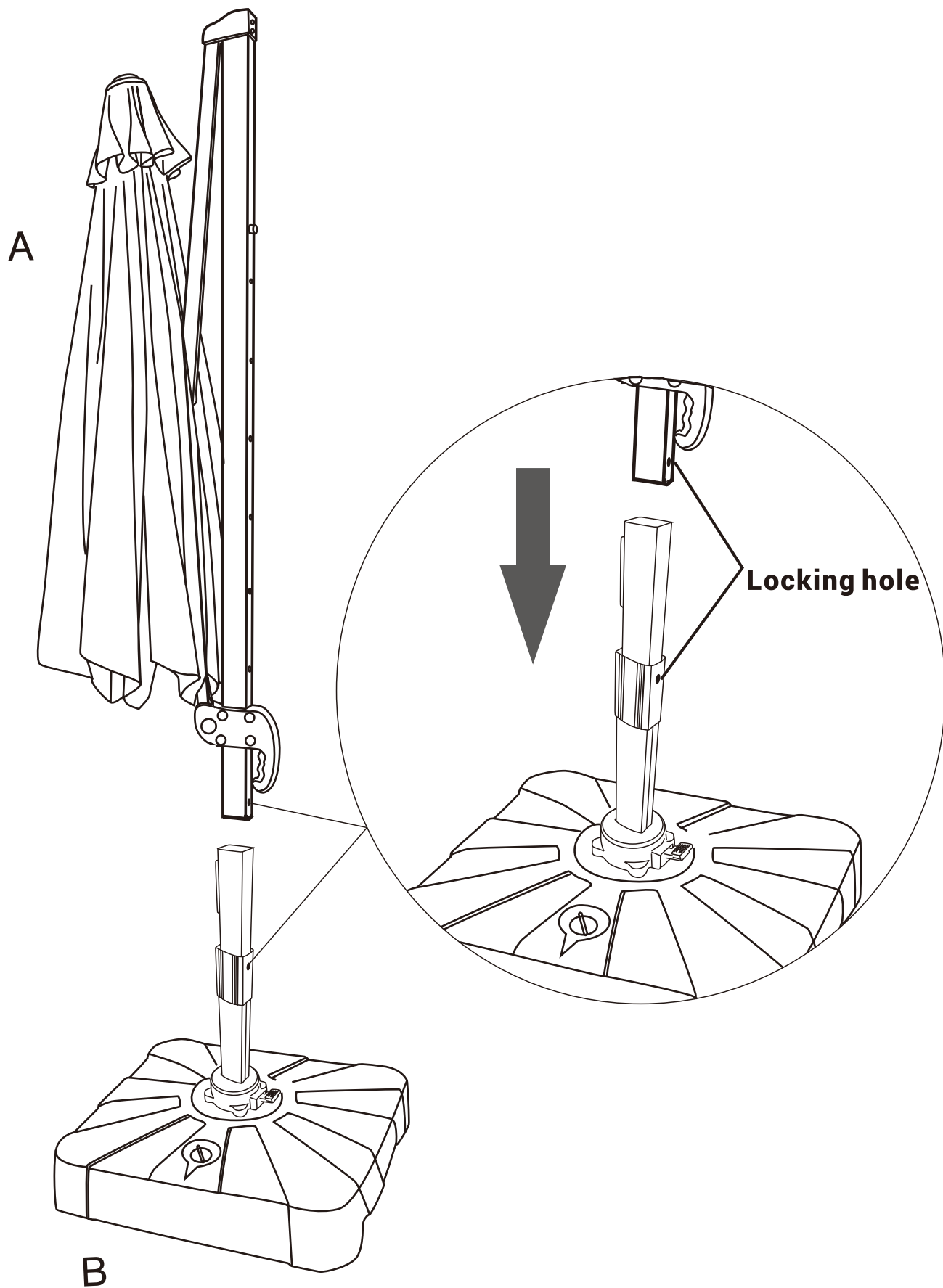


Step 6 Fix the plastic connector (part L) on the top of the lower pole (part M) . Make sure the two holes are on the same side as below.



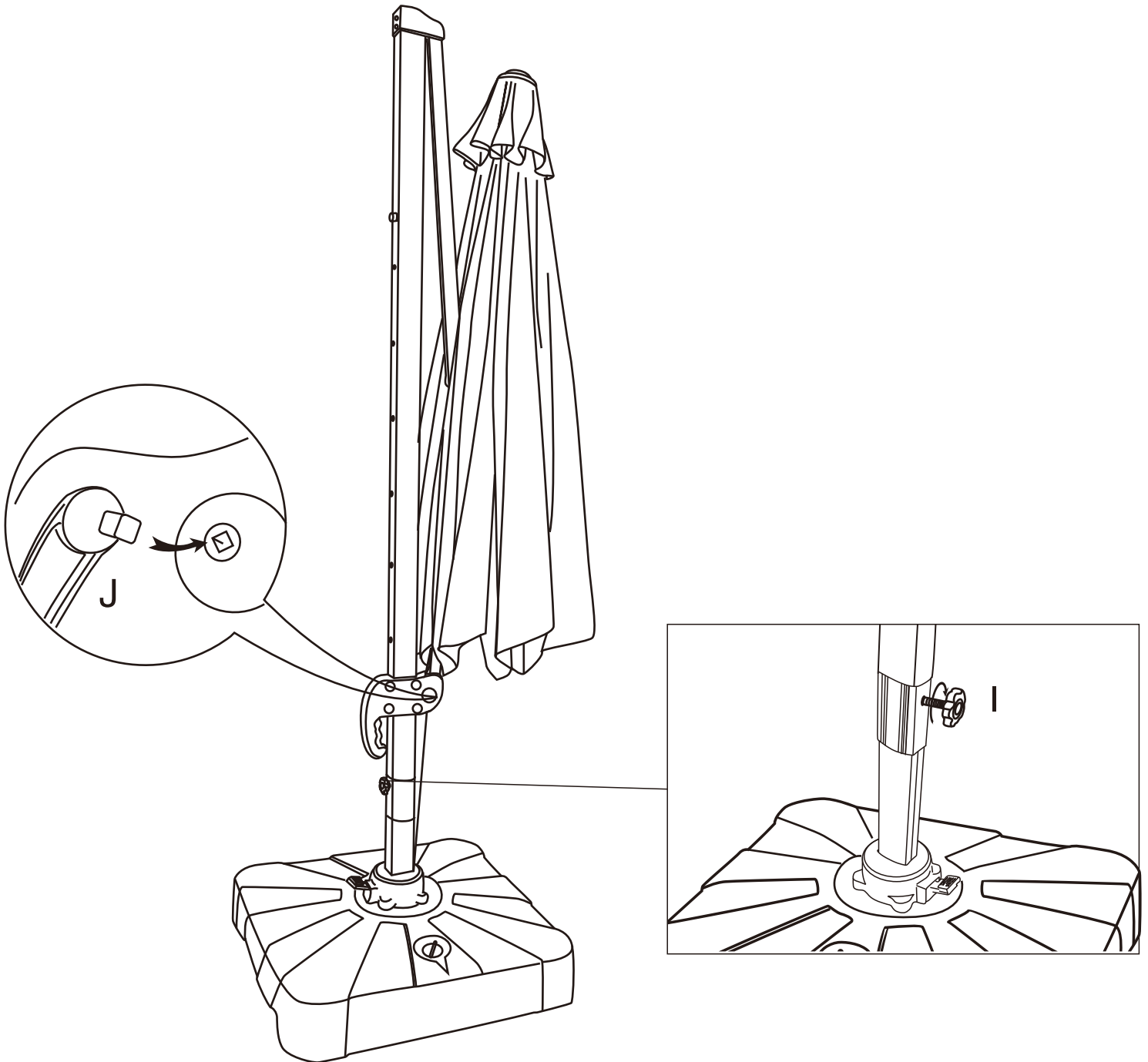
Step 7

Place the Main Umbrella (Part A) on top of the Base Pole (Part D).



Step 8

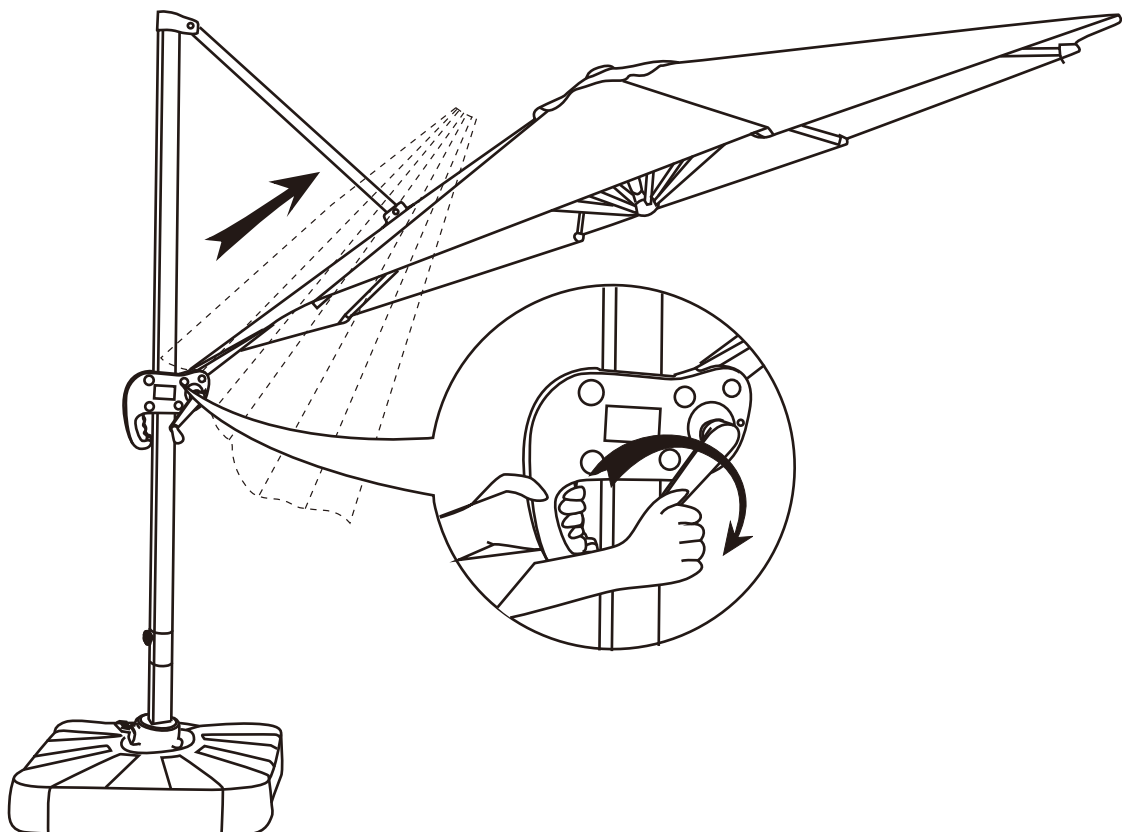
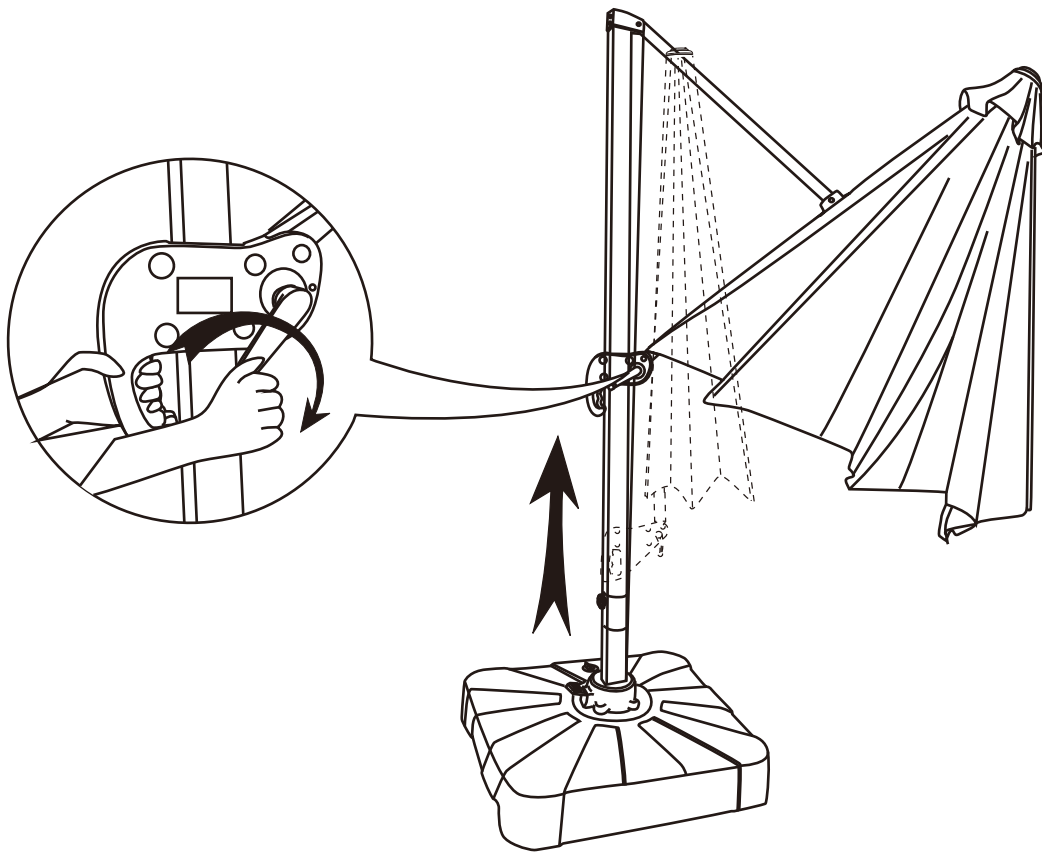
Insert the Crank Handle (part J) into the square hole on the Main Umbrella (part A).
Screw the Threaded Knob (part I) into the locking hole on the Main Umbrella (part A).



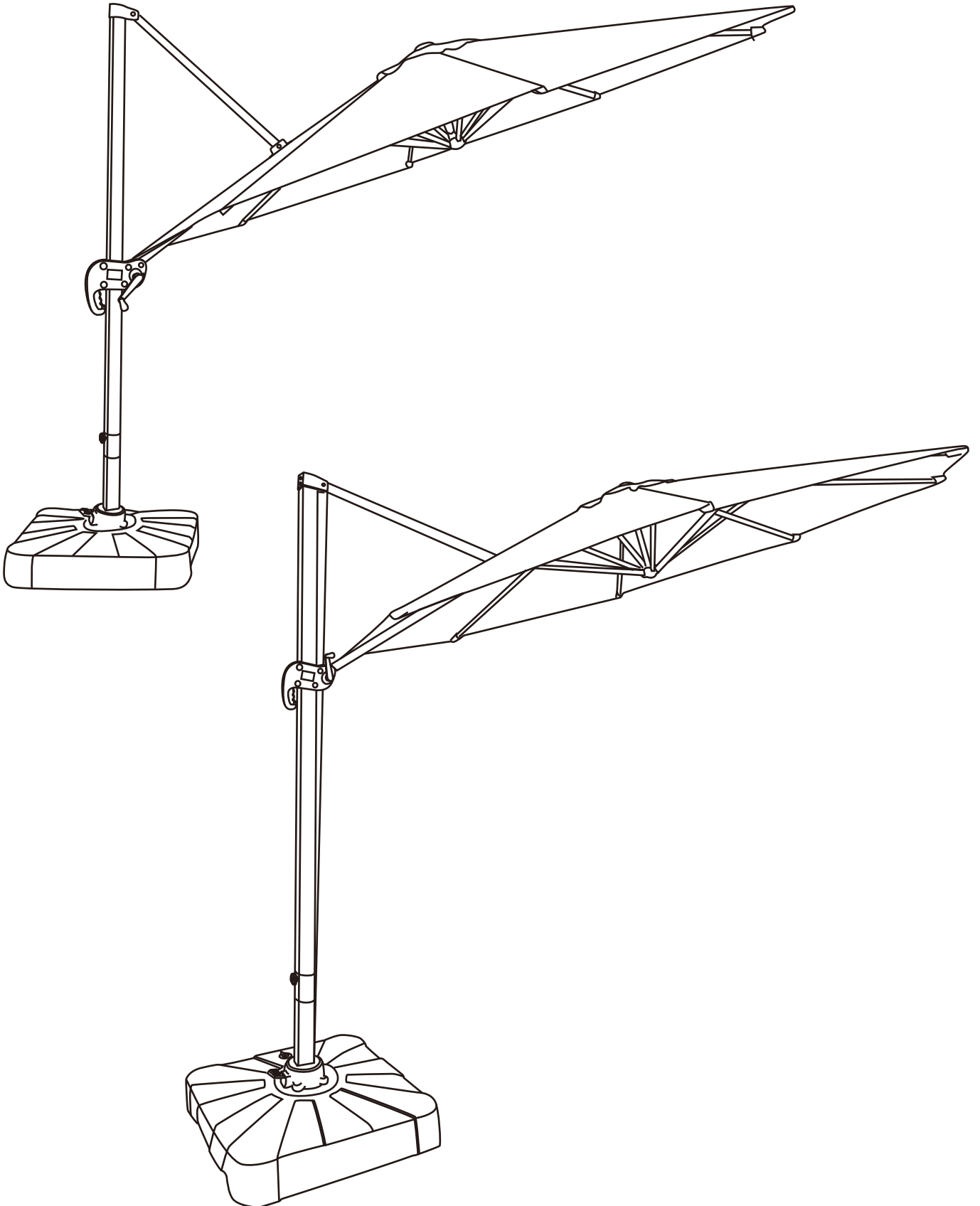
ATTENTION:
MAKE SURE ALL BOLTS AND SCREWS ARE FULLY TIGHTENED BEFORE USING THE UMBRELLA.

Step 9

Squeezing the trigger before attempting to raise the crank house. Turn the Crank handle clockwise to extend the umbrella fully .

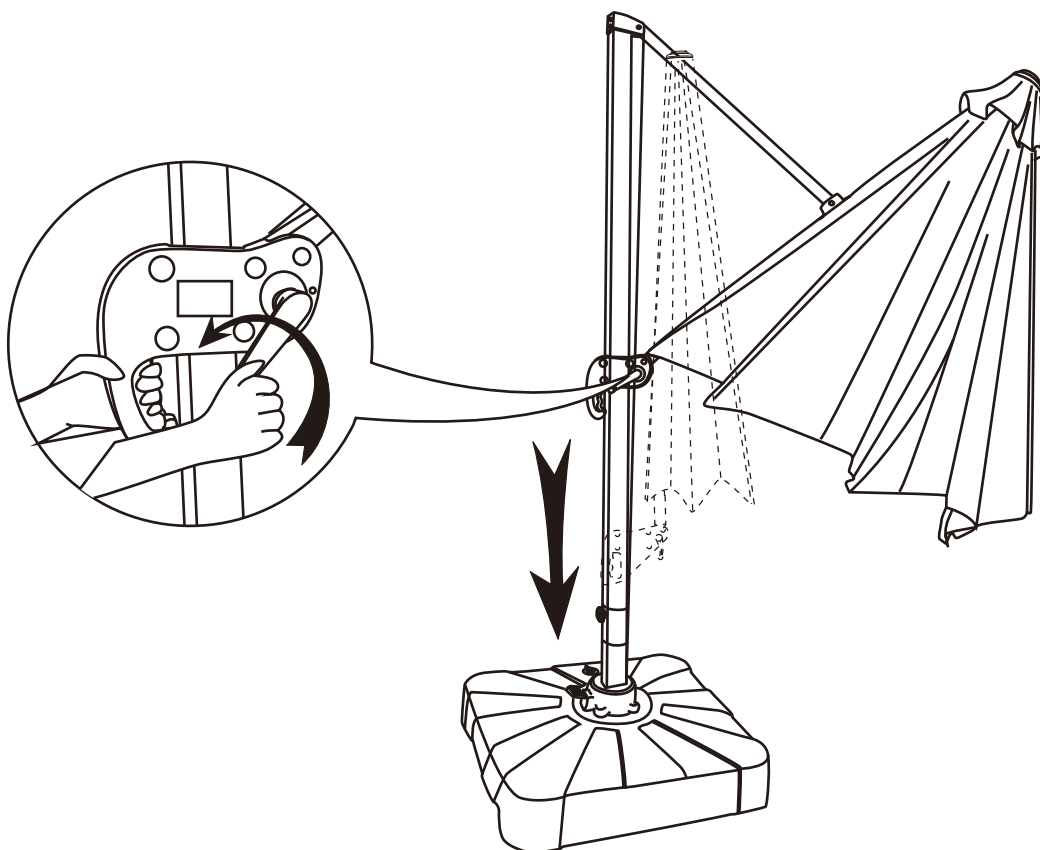


Step 10 The umbrella has 6 position holes on the main pole to lock the canopy at different angles .



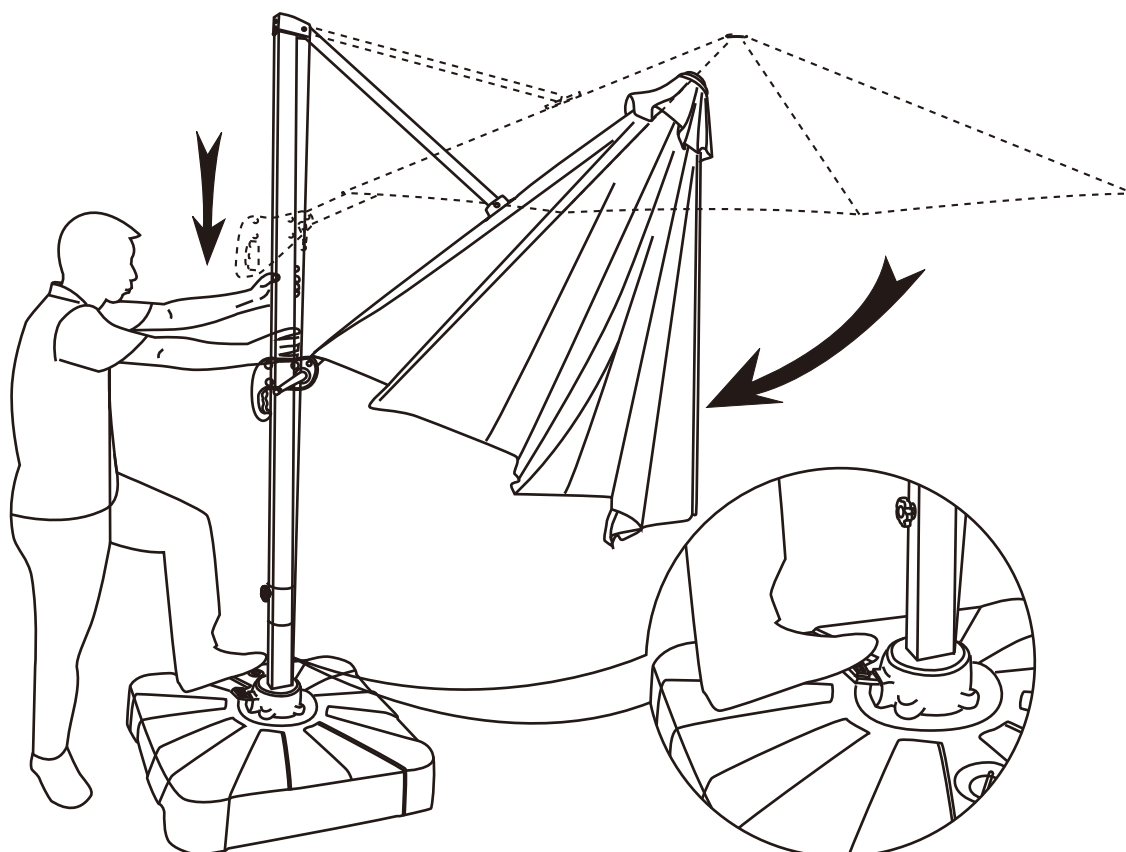
Step 11

Squeezing the trigger before attempting to lower the crank house. Turn the Crank handle counter-clockwise to close the umbrella.



Step 12

This umbrella has a 360 degree swivel mechanism . Before attempting to turn the umbrella, close the umbrella first and squeeze down the lever with your foot to release the mechanism.



Step 13

When not in use, place Umbrella Cover (Parts K) over the umbrella

