

MOUNTING INSTRUCTIONS

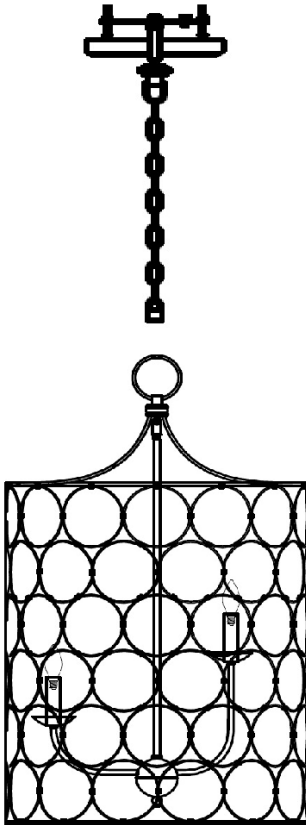


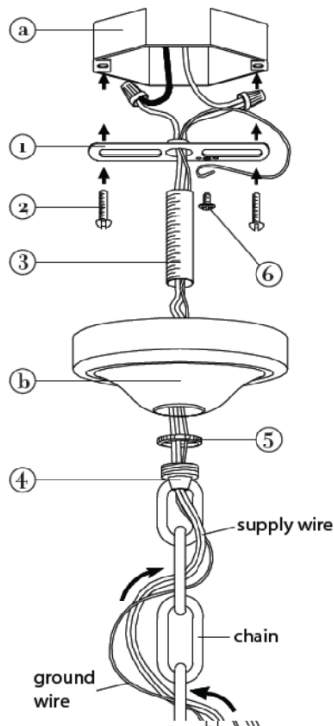
Diagram 1

Step 1

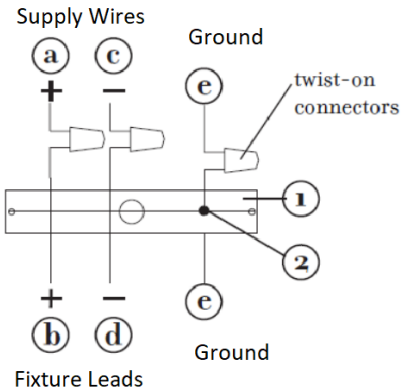
Shut off electrical power before installing fixture.

Step 2

- A. Fasten mounting strap (1) to ceiling outlet box with small screws. (not included) - see Diagram 1
- B. Thread nipple (3) into mounting strap (1).
- C. Thread loop (4) onto the end of nipple threaded into strap (1).
- D. Determine the amount of chain needed for desired fixture height and adjust accordingly.
- E. Attach one end of chain to the fixture loop.
- F. Slide top loop collar (5) and canopy (b) onto the chain and allow to slide down and rest on top of fixture loop.
- G. Attach the other end of the chain up and onto the top loop (4).
- H. Weave fixture wire and ground up and through the chain links and through the top loop into the junction box.
- I. Pull wires out of the junction box, along with the supply wires and follow wiring instructions below
- J. Once all connections are secure and place back inside the junction box, slide canopy up onto and over the top loop and tighten the treaded collar (5) on the loop (4) until tight against the ceiling.



Wiring Instructions



1. Connect Grnd wire (e) to mounting strap (1) using green screw supplied, and raw copper supply wire.
2. Connect Positive supply wire (a), typically black or red, to the fixture hot wire (b) typically smooth side or unmarked wire if two conductor wire.
3. Connect Neutral supply wire (c) typically white, to the Neutral fixture wire (d), typically ribbed side or marked side of two conductor wire.