



626-679-3588
service@getprohome.com
www.getprohome.com
162 Atlantic St, Pomona, CA 91768

INSTALLATION MANUAL

ACRYLIC BUILD-IN BATHTUB

service@getprohome.com

626 679 3588



PRODUCT
INSTRUCTION
VIDEO





Please read all instructions carefully before proceeding with installation.



Due to the complexity of the installation procedure, a professional plumber is required.

TABLE OF CONTENTS

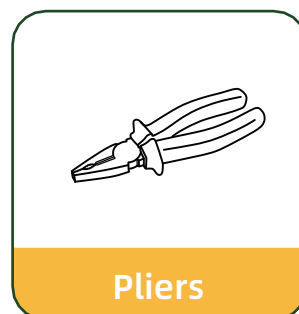
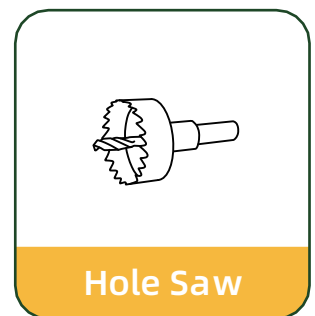
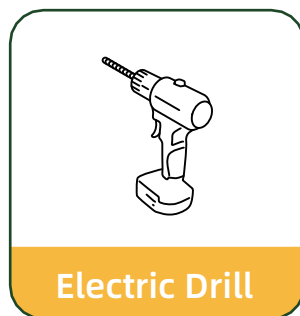
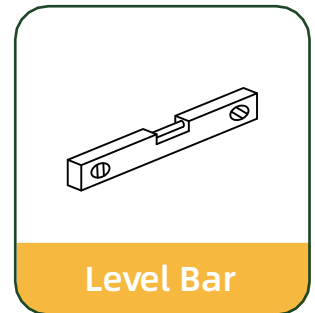
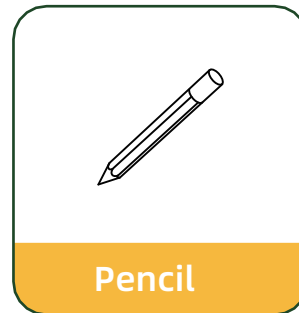
| | |
|--------------------------------------|----|
| 1. Prior To Installation | 3 |
| 2. Required Tools | 5 |
| 3. Required Materials | 6 |
| 4. What's in The Box | 7 |
| 5. Bathtub installation instructions | 8 |
| 6. Drain installation instructions | 28 |
| 7. Warranty | 30 |
| 8. Use & Care Guide | 31 |

1. Prior To Installation

- These products must Only be installed by a fully insured and licensed plumber.
- Installation of the product by anyone other than a fully insured and licensed plumber shall void the limited warranty.
- Make sure to check the entire bathtub for any concealed damage before installation. If there is damage, **DO NOT INSTALL THE PRODUCT!** Contact GETPRO customer service immediately. GETPRO does not assume responsibility for damage that occurs during transit. The warranty does not cover damage or defects that could have been identified before installation and were not reported until after installation has been completed.
- Building and plumbing codes may vary from state to state.
- GETPRO is not responsible for any local code compliance for this product
- The floor under the bathtub must support the combined weight of the tub ,water,and user.
- GETPRO shall not be held liable for any and all incidental damages or floods caused due to the use of this product.
- Measurements may deviate by +1/4' from the original specifications.
- Please be advised that the warranty does not cover product failures resulting from improper installation
- Please note that any damage,including chips and scratches, that occurs at the job site is excluded from the warranty coverage.
- Properly installing waste and overflow components is the sole responsibility of the installer. GETPRO does not provide warranty coverage for leaks associated with improper waste and overflow installation.
- GETPRO is not liable for defects or issues that arise or could have been prevented by inspecting and testing all plumbing connections for leaks before completing the installation.
- GETPRO shall not be held liable for any and all fees stemming from the cost of installation, re-installation removal,subsequent damage,or transportation in the case of a product defect. GETPRO shall not be held responsible for defects or damage that could have been discovered, repaired or avoided by inspection and testing before installation. The tub must be checked upon delivery.
- Before finalizing installation, ensure all plumbing connections are tested,- checked for leaks, and undergo an overflow water test. GETPRO will not be held responsible for defects or issues that arise from neglecting this crucial step.

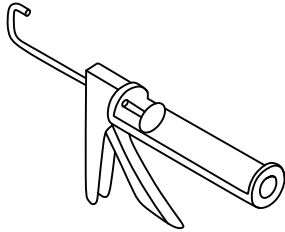
- Avoid lifting the bathtub by the plumbing. Always use the bathtub deck for lifting purposes.
- Please refrain from overfilling the bathtub. Filling it beyond 2/3 capacity can result in overflow and create slippery conditions when entering the tub.
- Ensure that the floor is level and in good condition. An uneven surface may hinder the tub's correct installation.
- Clear any debris or trash from the installation area.
- Do not place the bathtub directly on surfaces prone to dampness or moisture.
- This bathtub is designed for an alcove installation ONLY.

2. Required Tools



3.

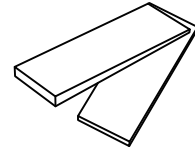
Required Materials



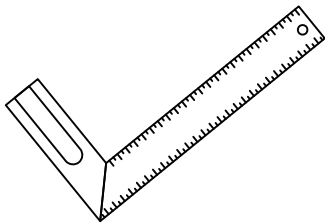
Caulk Gun



Mortar



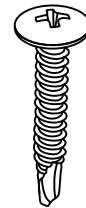
Shims



Square



Silicone Sealant



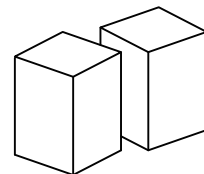
No 8 x 1¹/₄ " Screws



Wood Wedges



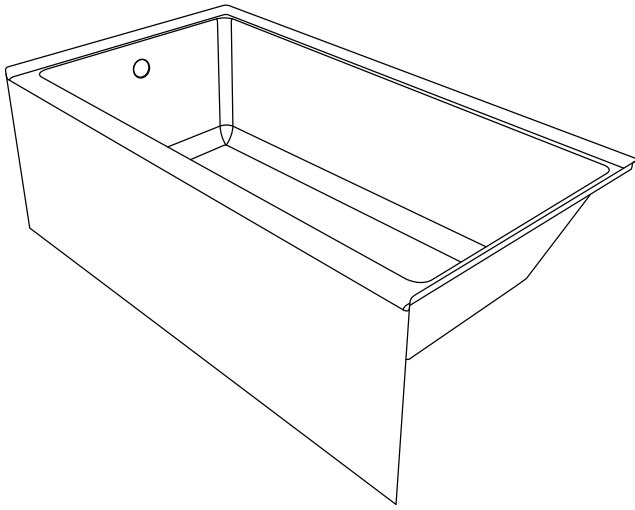
Water-Resistant Glue



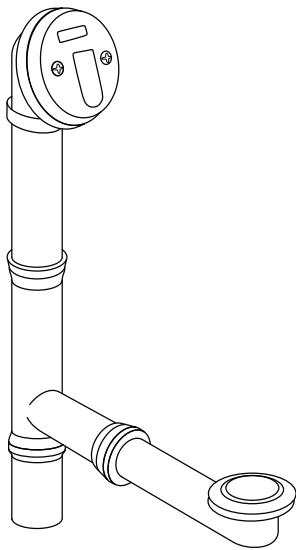
Wood Blocks

4.

What's In The Box



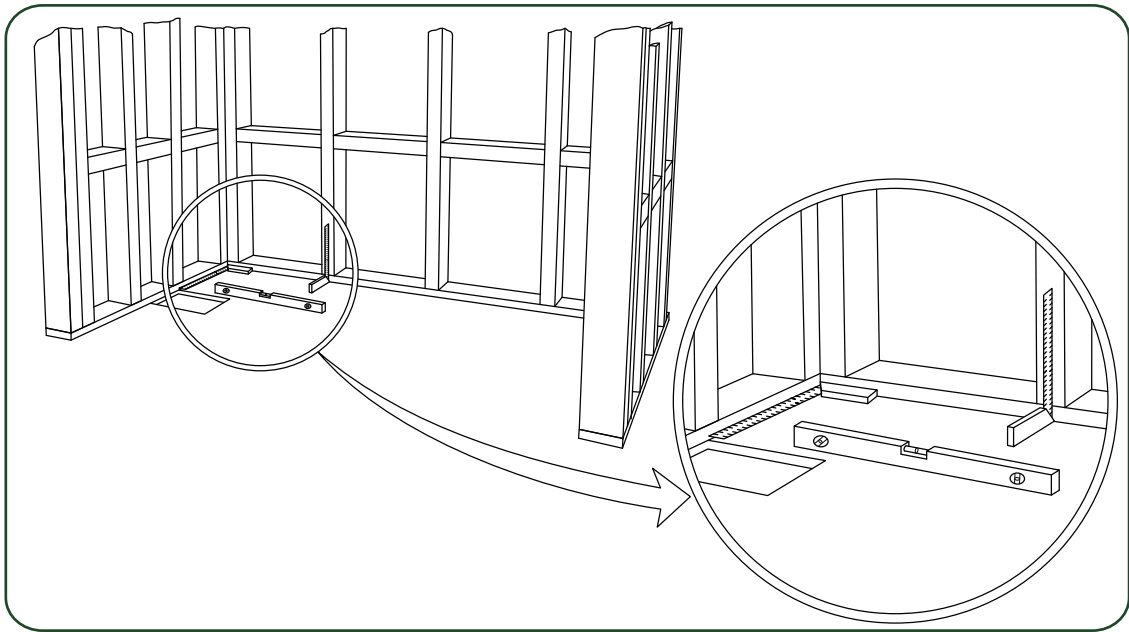
Bathtub



**Drain
(included)**

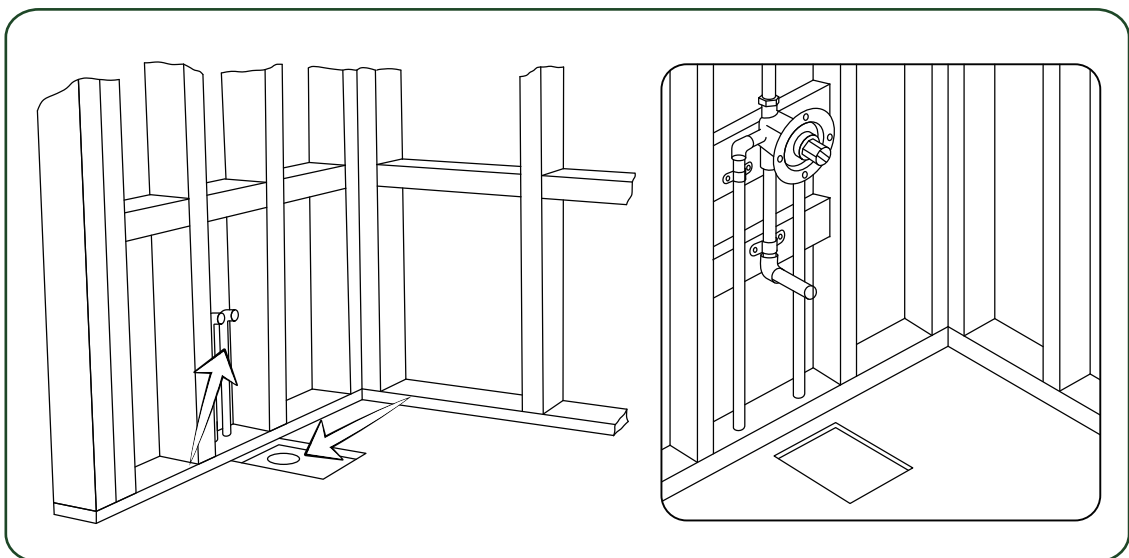
5. Installation Instructions

- 1 **Frame the installation site using 2" x 4" or 2" x 6" lumber. Ensure a plumb stud pocket with studs that are square and upright. Consult the specification sheet for detailed measurements of the bathtub. ALWAYS CONFIRM STRUCTURE MEASUREMENTS WITH THE ACTUAL UNIT FOR A PRECISE FIT.**

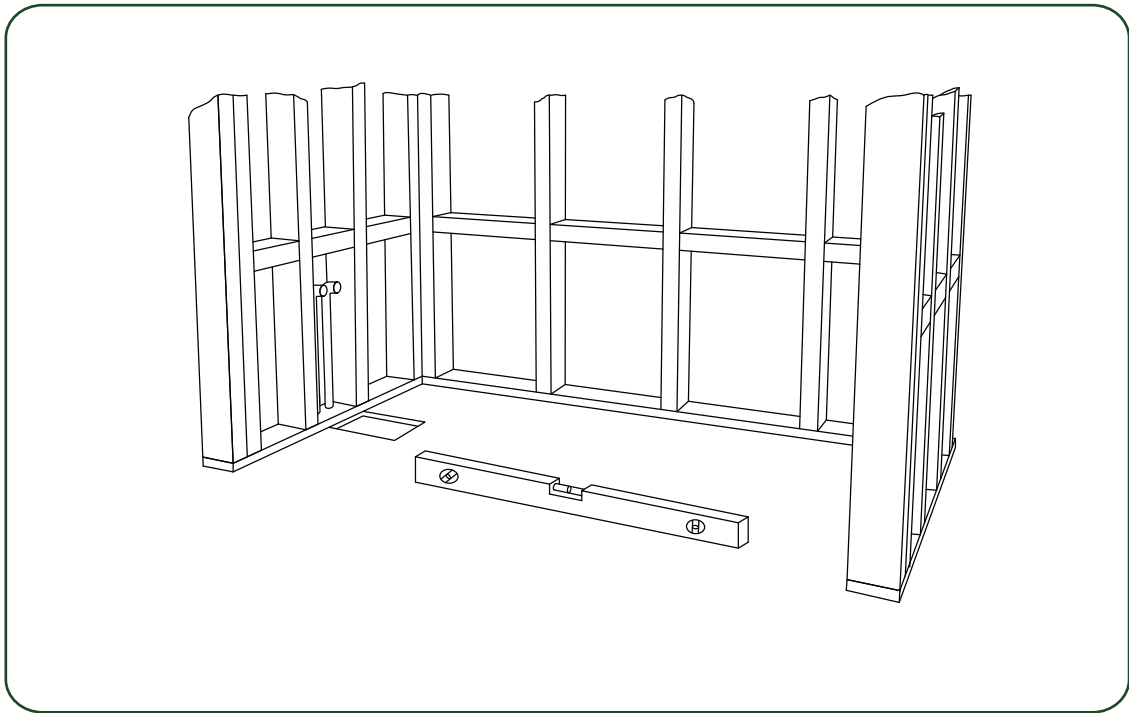


a. While constructing the plumbing stud pocket, please consider access to the drain and faucet connections, as well as the dimensions and thickness of the eventual wall material.

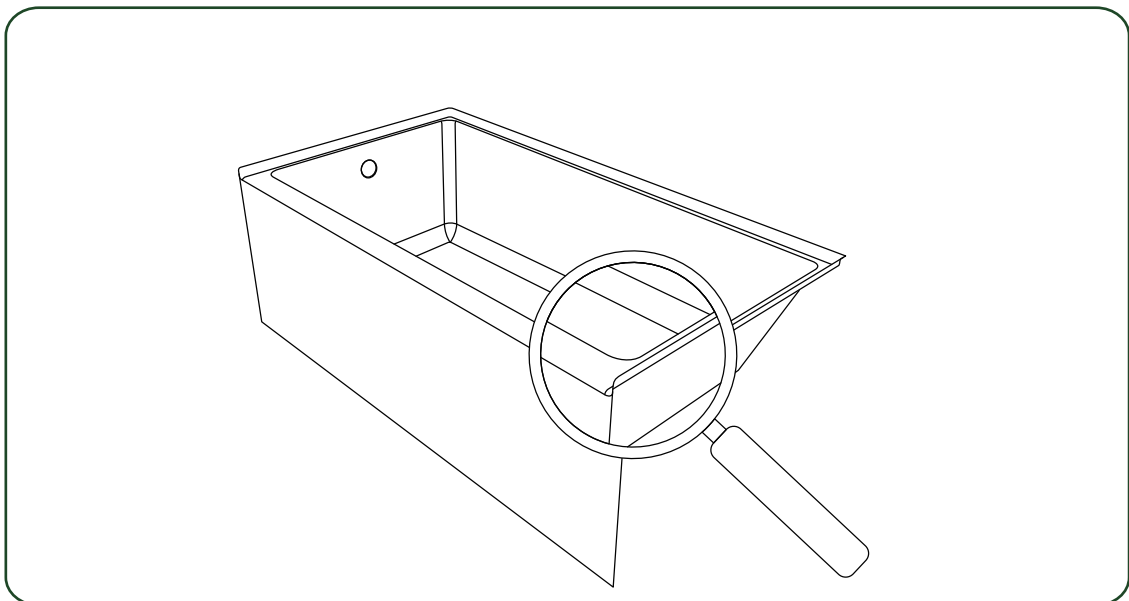
- 2 **A certified plumber should handle the rough-in plumbing before bathtub installation.**



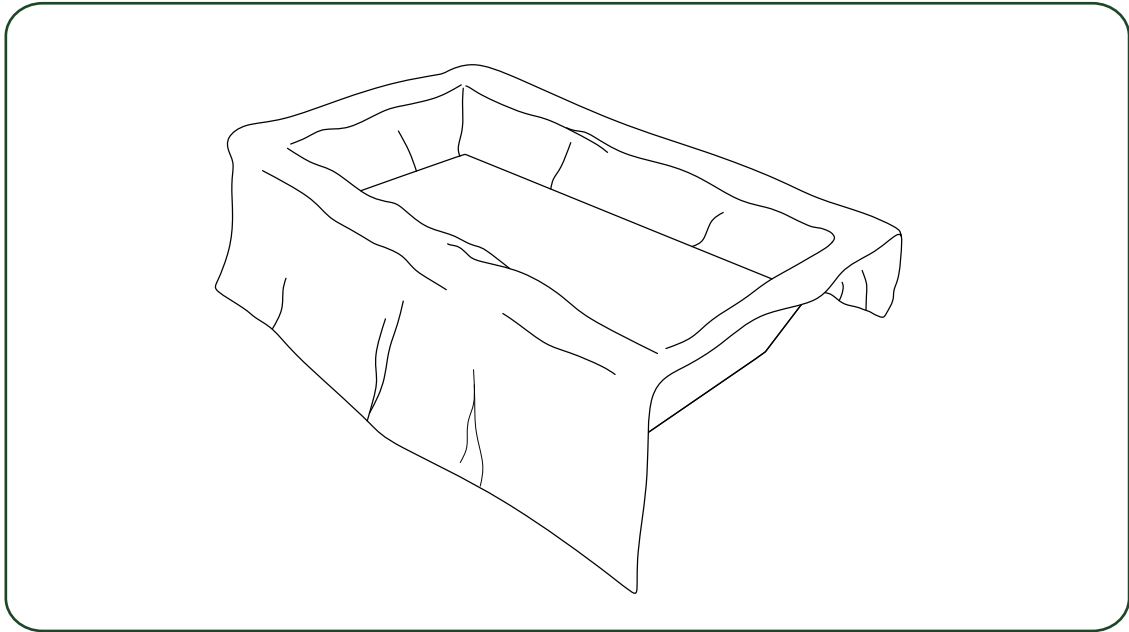
- 3** Ensure that the floor is level before beginning the installation process.



- 4** Unpack the bathtub and check for any potential damage. If you detect any damage during examination, refrain from installing the bathtub. Reach out to BESTGO customer service immediately for further assistance.

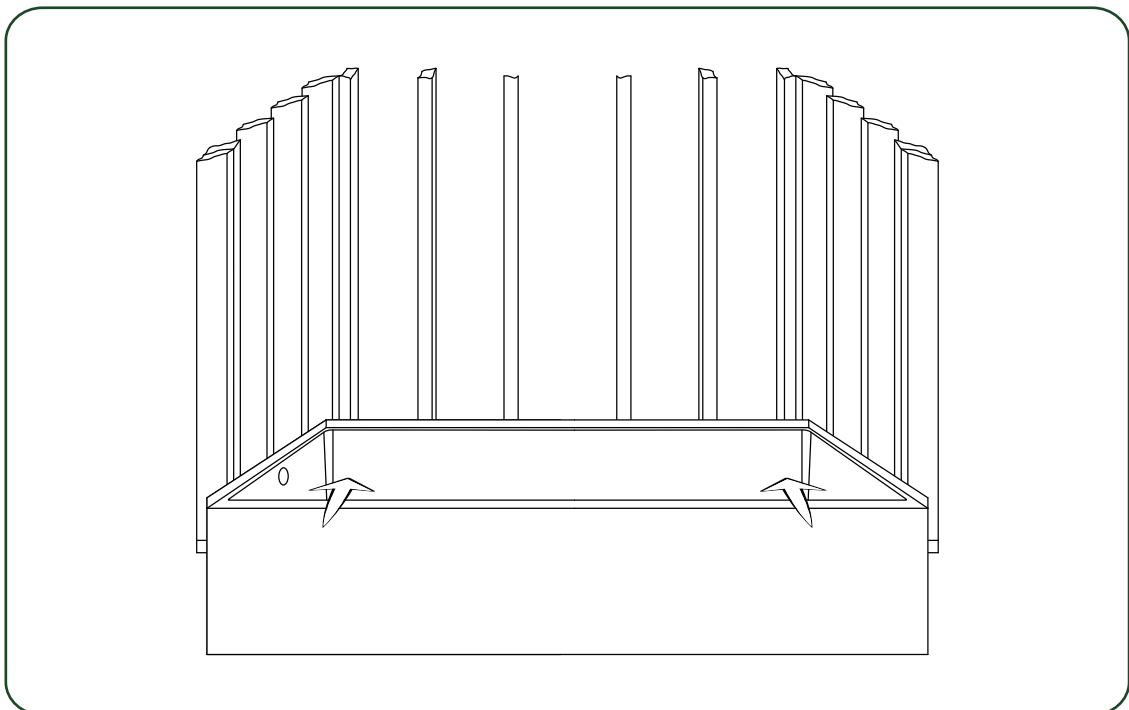


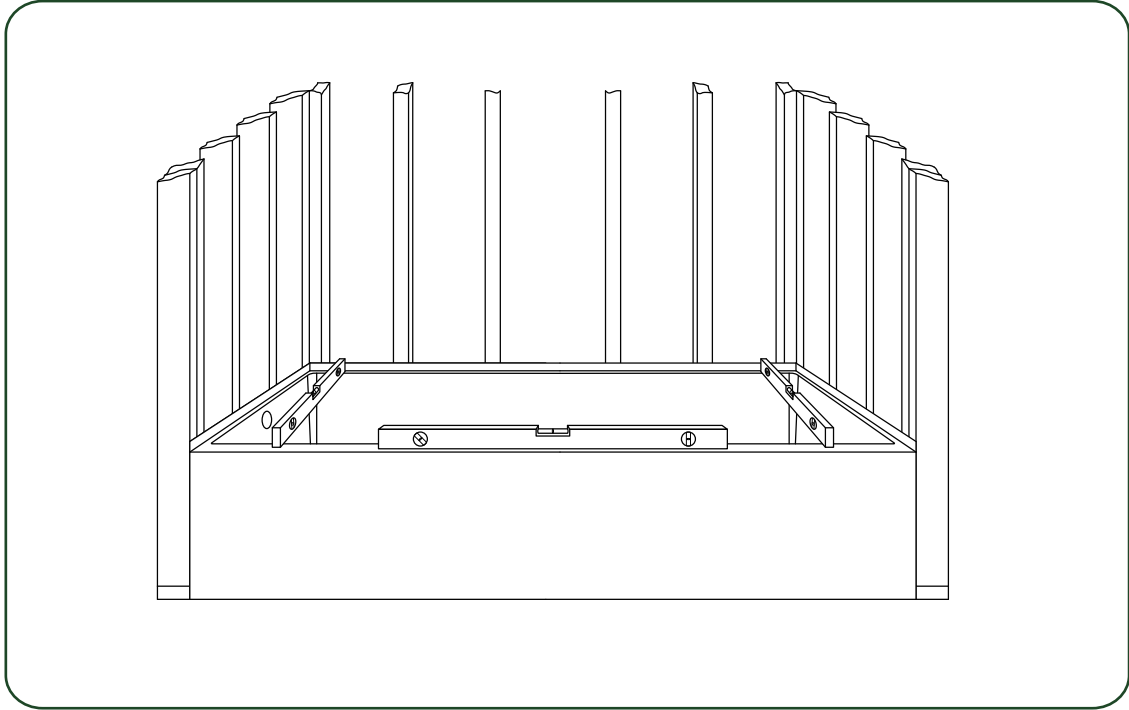
- 5** Handle the bathtub with the utmost care. Lay a protective sheet over the bathtub to shield it from potential harm. Trim a section from the box and place it inside the bathtub for protection against potential damage.



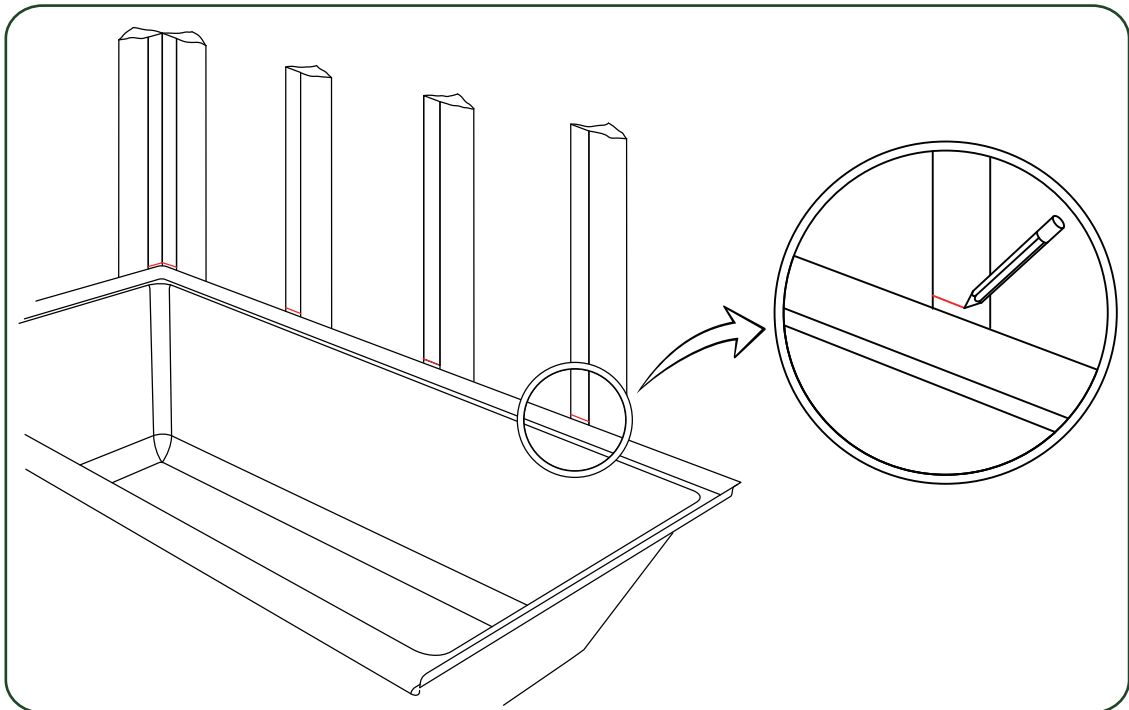
a. Ensure the tub is always safe guarded from construction damage by utilizing a protective cover.

- 6** Position the bathtub in the alcove, ensuring the front skirt rests solidly on the floor. The tub should be level; verify this by placing a level on the ledges at both ends and side to side.

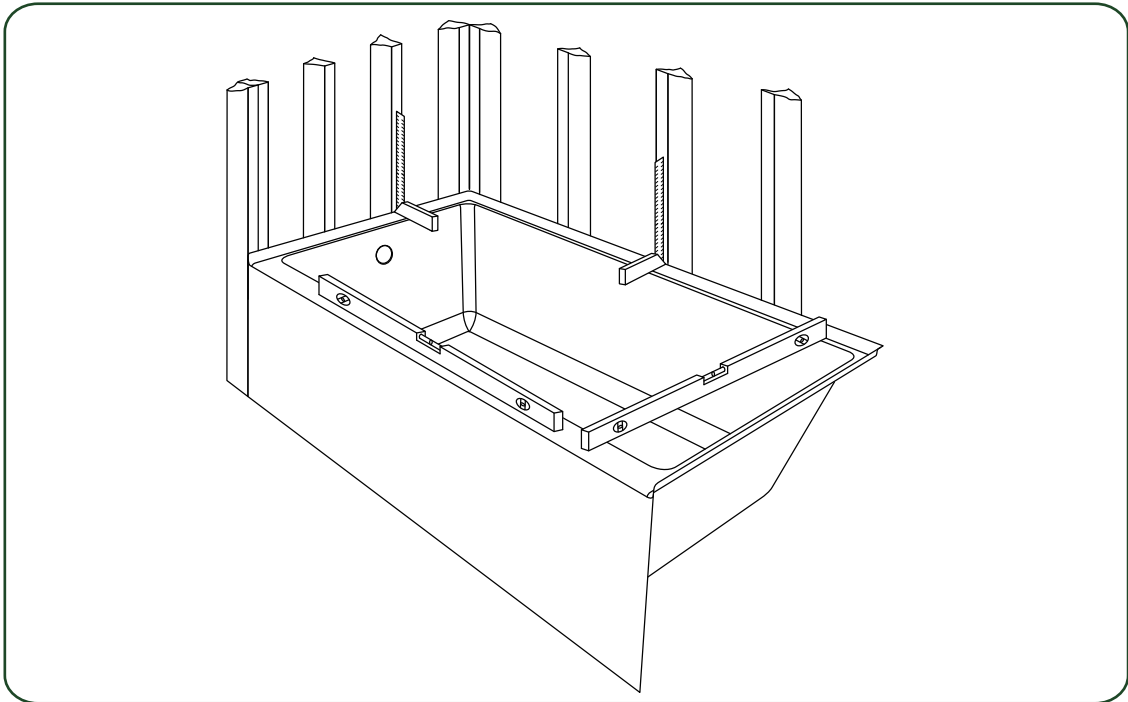




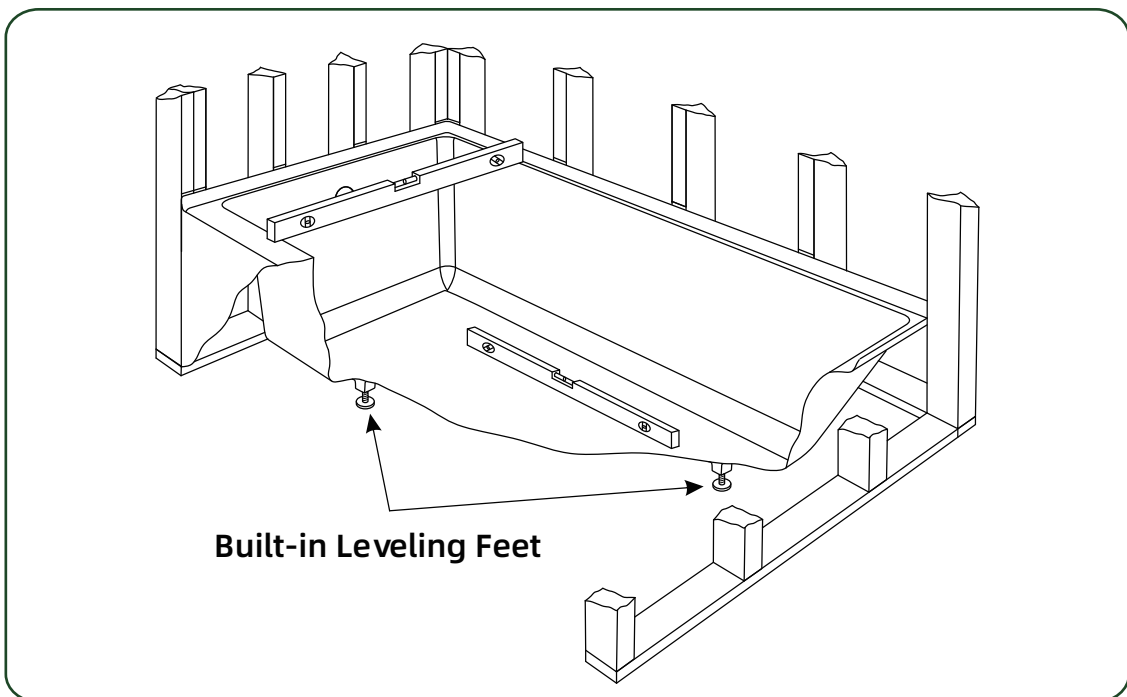
- 7** Mark the drain's position and the overall height of the bathtub on each stud located above the back horizontal integrated tiling flange.

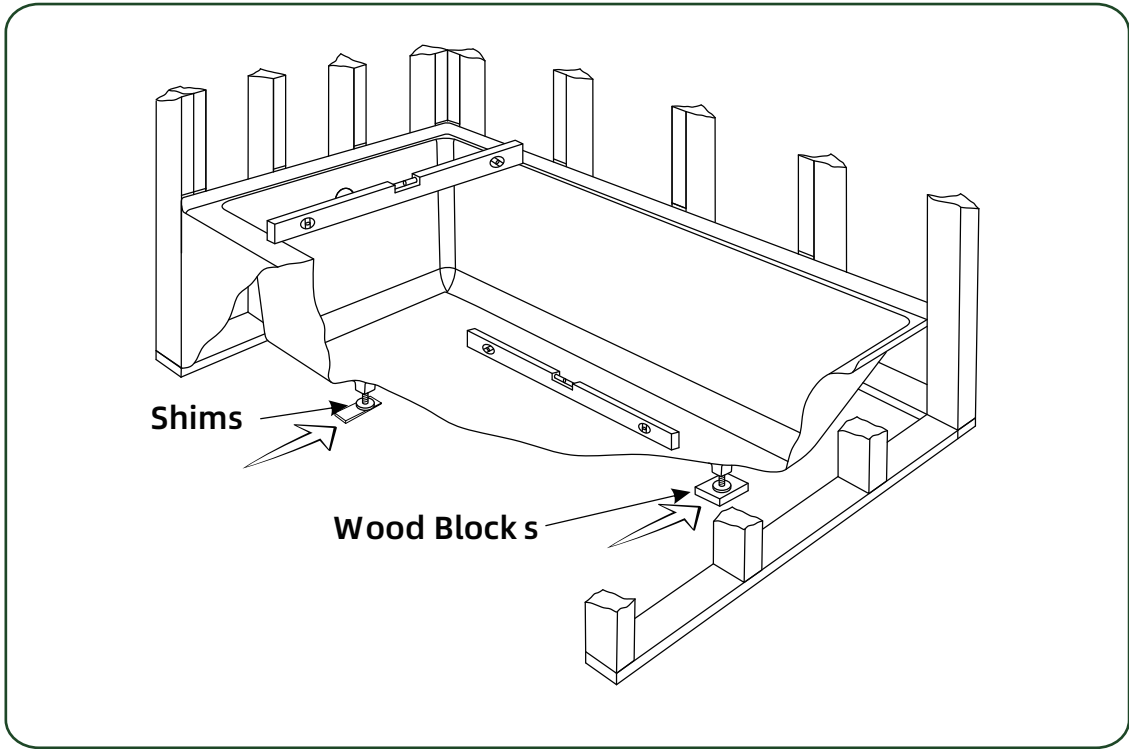


- 8** Confirm that the dimensions are accurate and that the pocket is plumb and square.

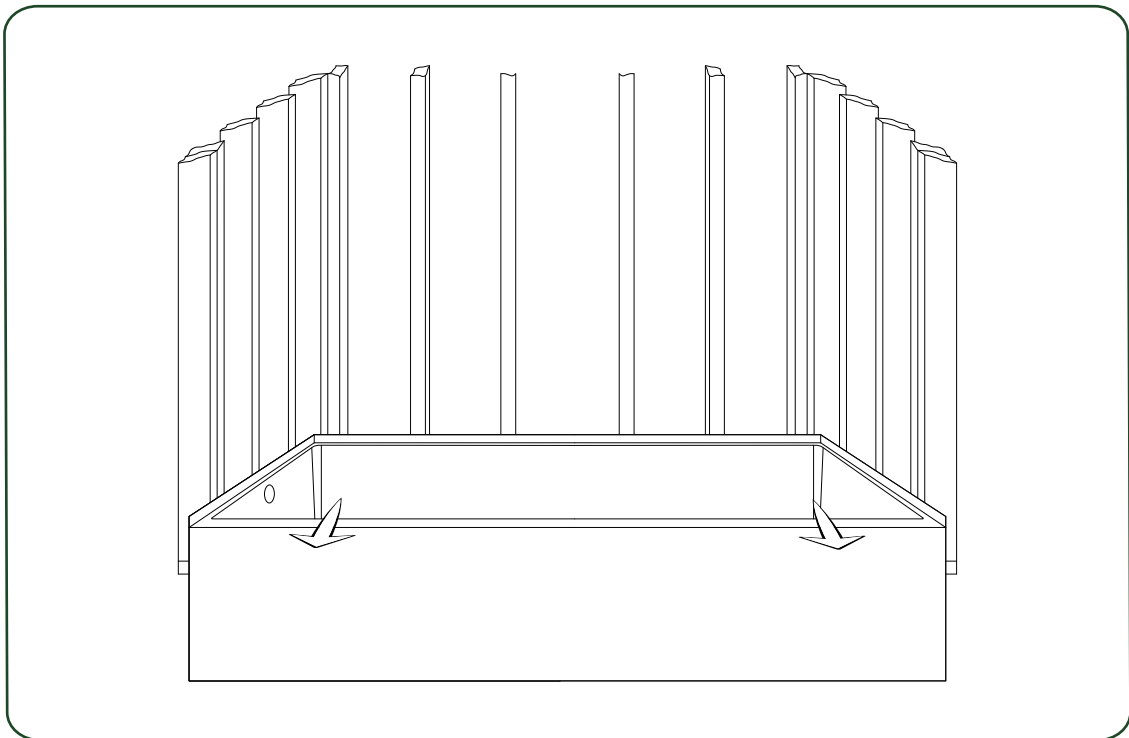


If the bathtub is not level once positioned in the alcove, please utilize the built-in leveling feet on the bathtub to adjust and level the bathtub. If the bathtub is still not level, wood shims or wood blocks can be used with the leveling feet.

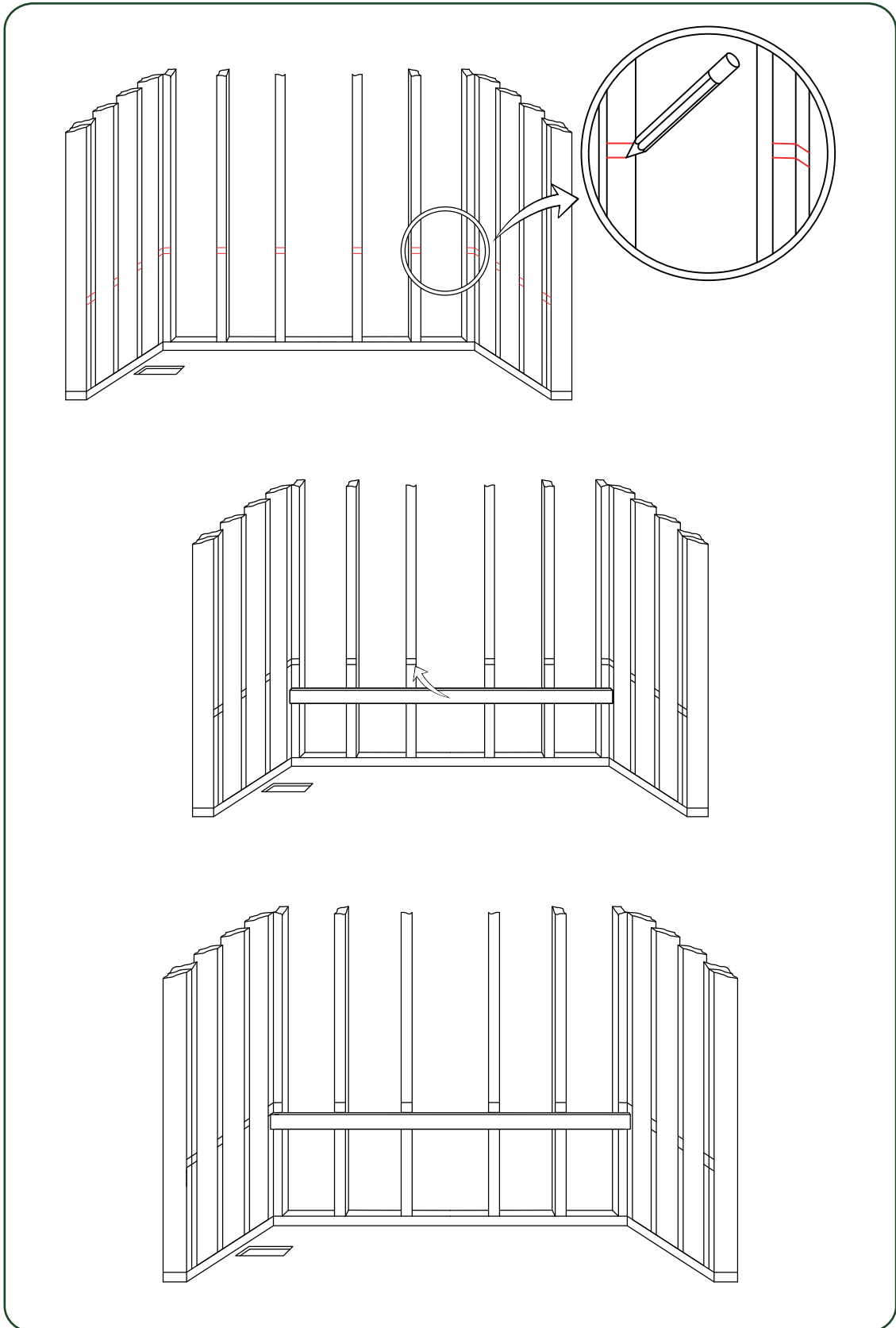




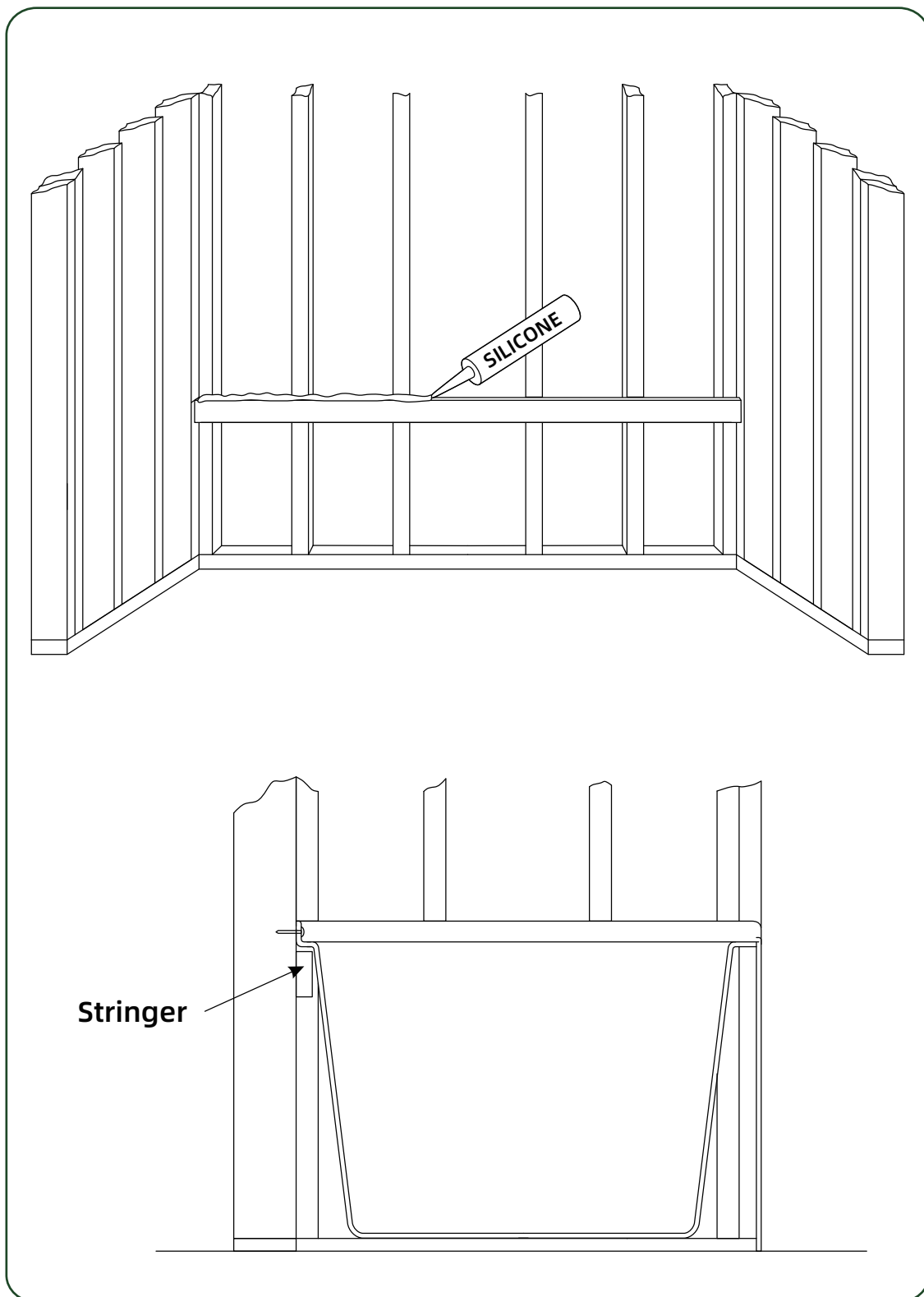
9 Remove the bathtub from the alcove.



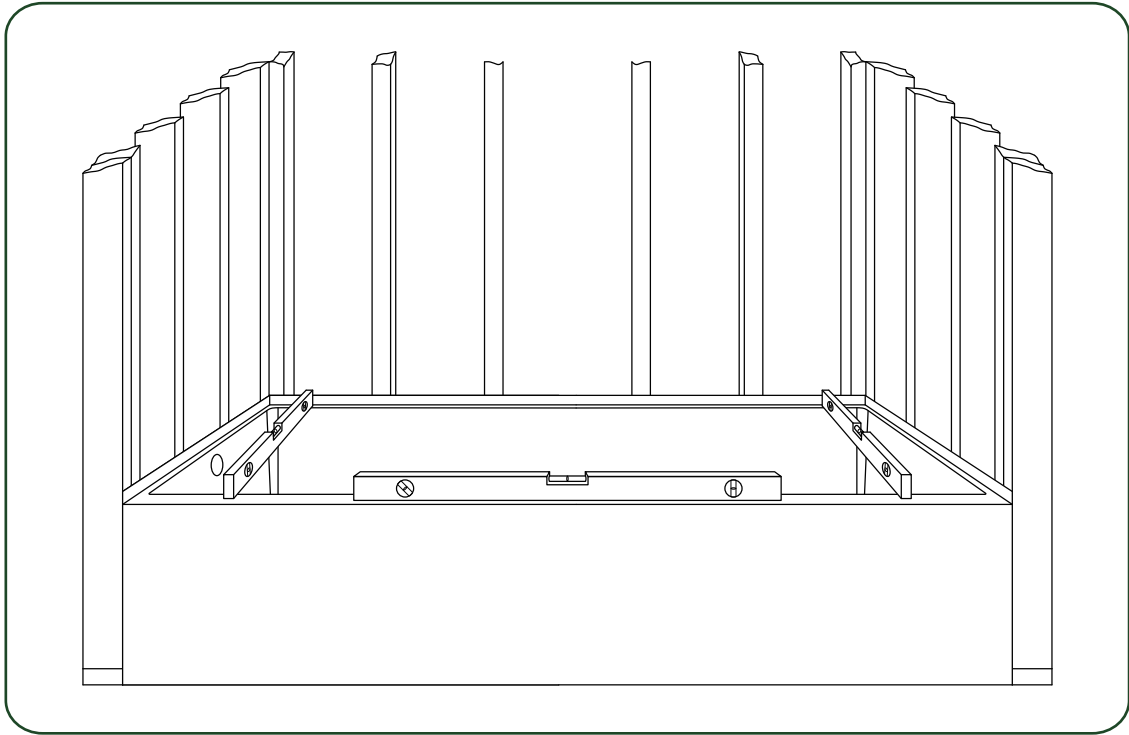
- 10 Starting from the previously marked overall height, measure and make a mark just below, indicating the appropriate height for the leveling stringer. This stringer will provide additional support beneath the tiling flange when securely attached to the stud wall.



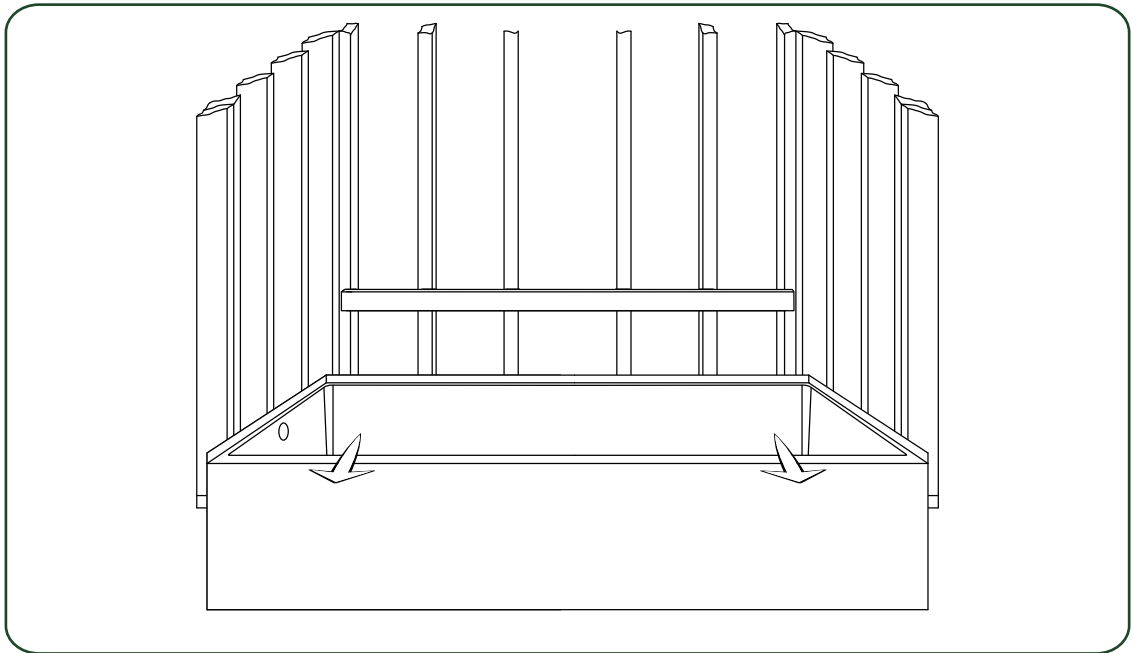
- a. Before attaching the leveling stringer, pre-drill holes to accommodate the mounting screws. Use a 2"x4", 1"x4", or 1"x3" stringer and secure in place.
- b. Apply silicone to the top of the ledger board to ensure the bottom of the bathtub tiling flange firmly attaches.
- c. Ensure the wood stud and the floor support the bathtub, NOT just the leveling stringer beneath the tiling flange.



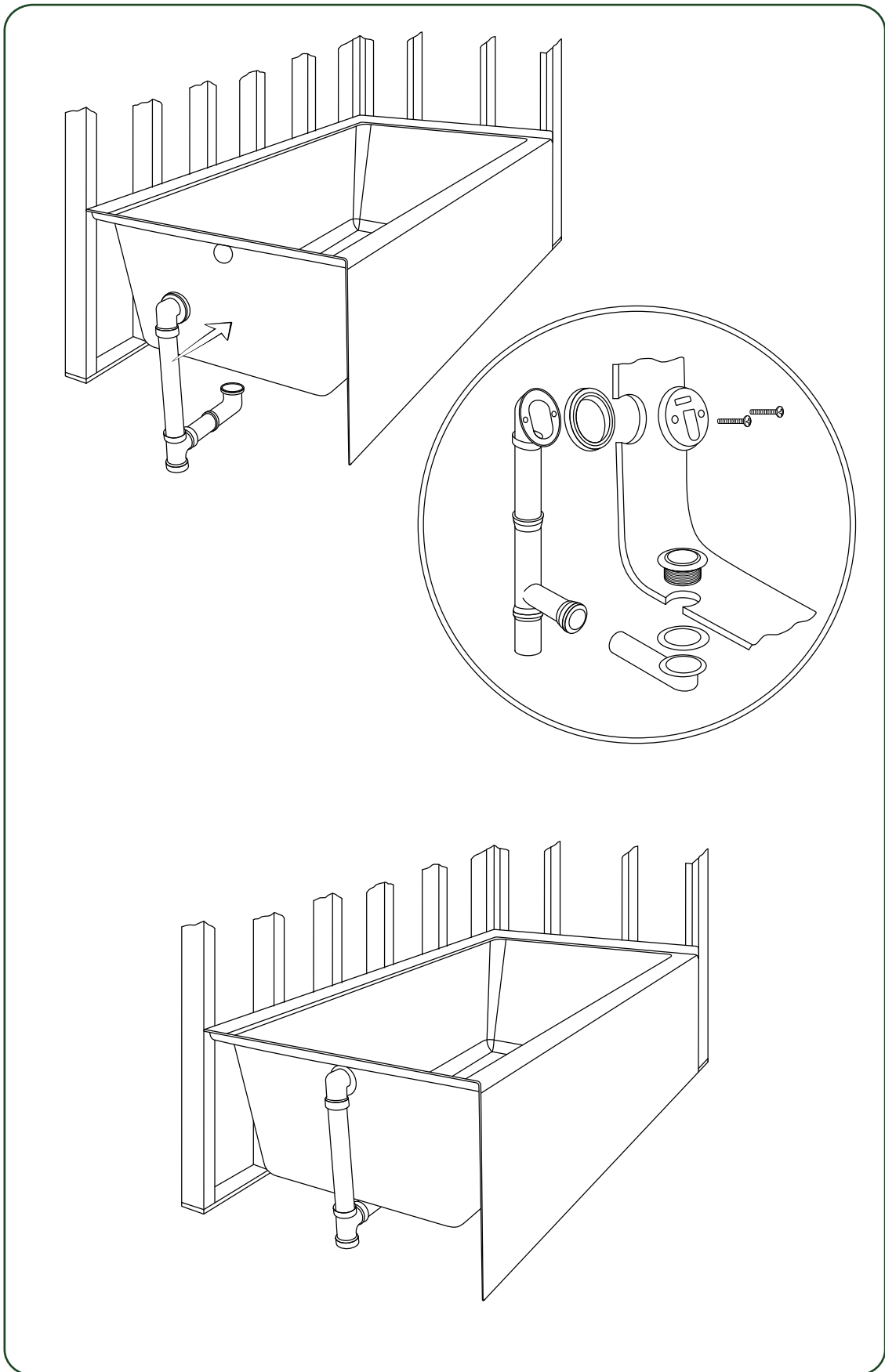
- 11** Dry fit the bathtub in the plumb socket and check again for level.



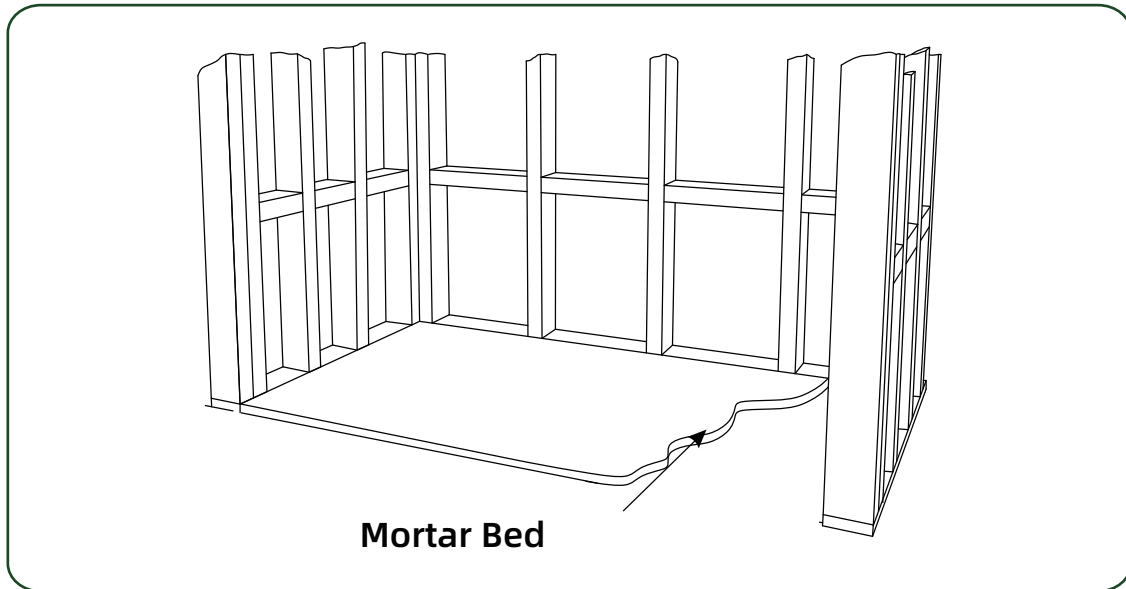
- 12** Remove the bathtub from the alcove.



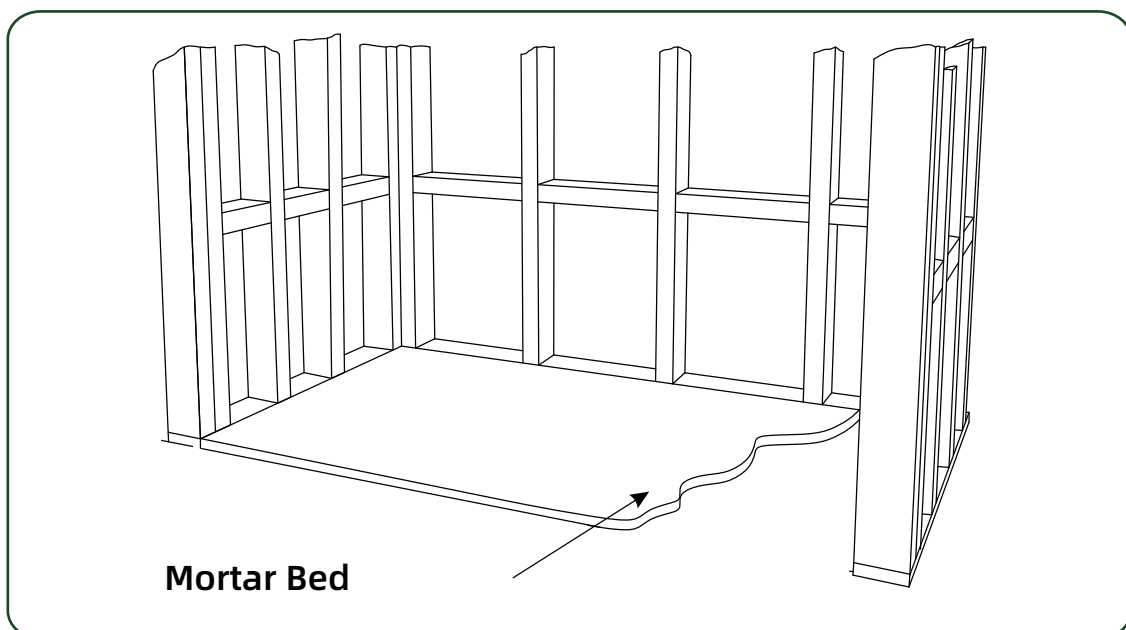
- 13 Follow the manufacturer's instructions carefully when installing the overflow and drain assembly onto the bathtub.



Two common methods for securing the bathtub are a mortar bed or construction adhesive. Alternative methods are also available, depending on the specific installation site. Please consult with a certified plumber/installer.
Mortar Bed Installation



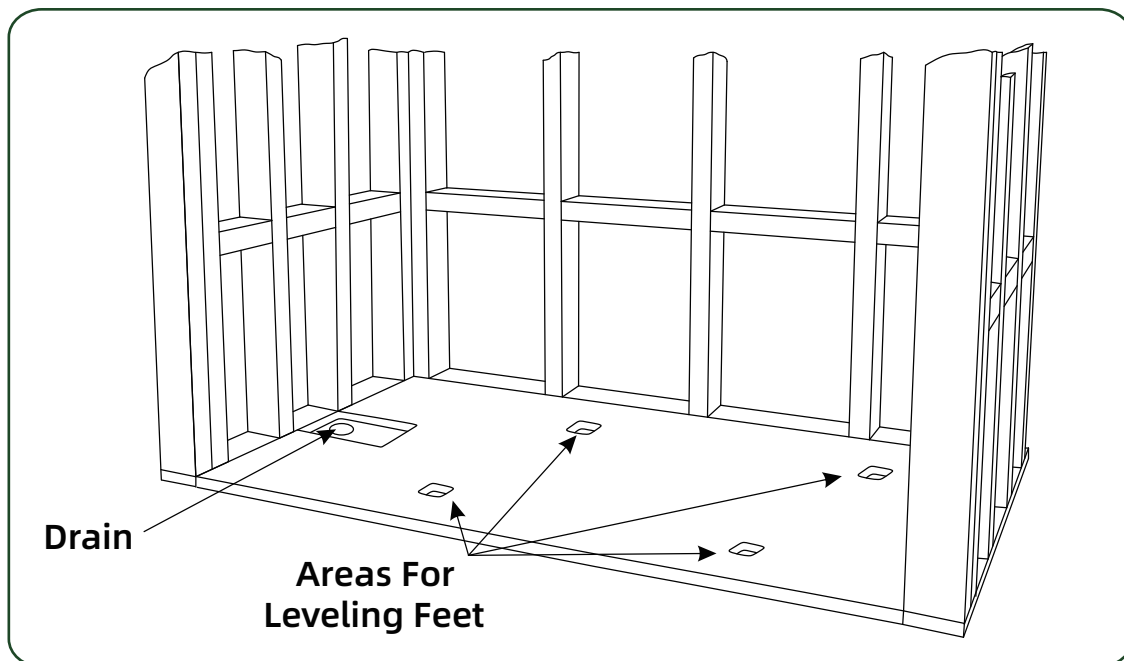
- 14 The bathtub must be fully supported at its base and anchored to the floor using either a mortar bed or construction adhesive.
 - a. Avoid gypsum cement and drywall compounds; they lack a lasting bond. Use ONLY mortar.
- 15 Use enough mortar to support the bathtub's bottom, typically between 1-1/2" to 2". The mortar layer should be adequately thick to facilitate the tub's leveling without elevating it



16

Distribute the mortar across the floor.

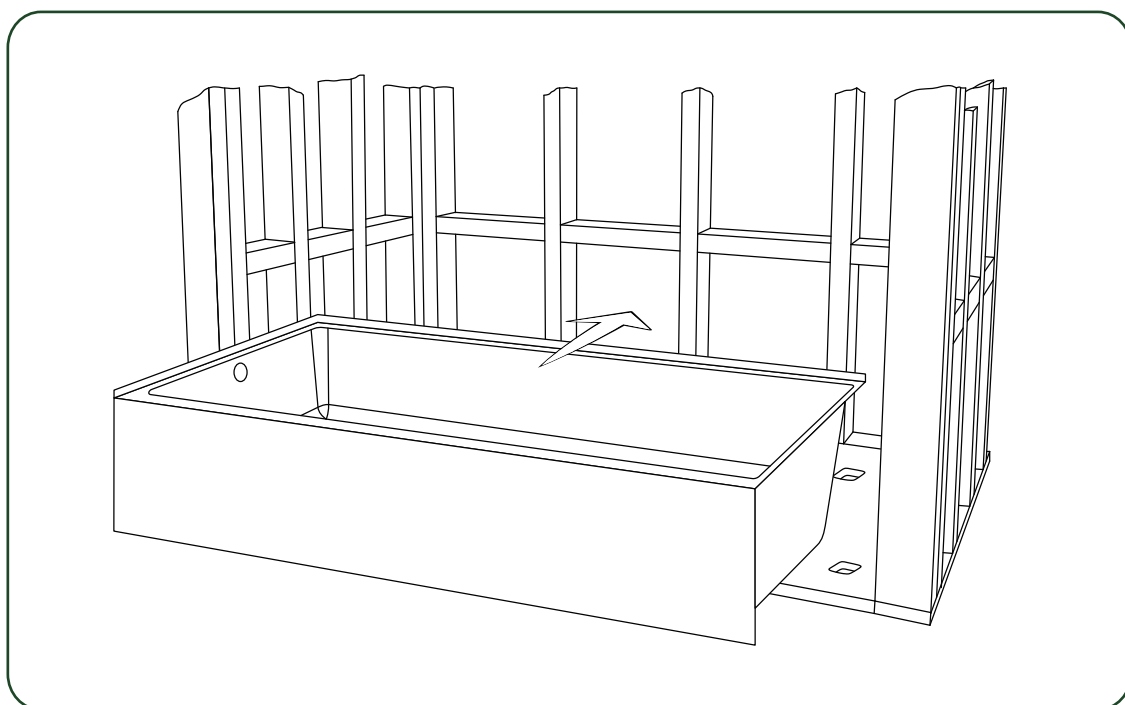
- a. Spread the mortar on the floor section to touch the tub's base.
- b. Refrain from applying mortar in the vicinity of the drain.
- c. Remove any mortar from the areas designated for leveling feet.

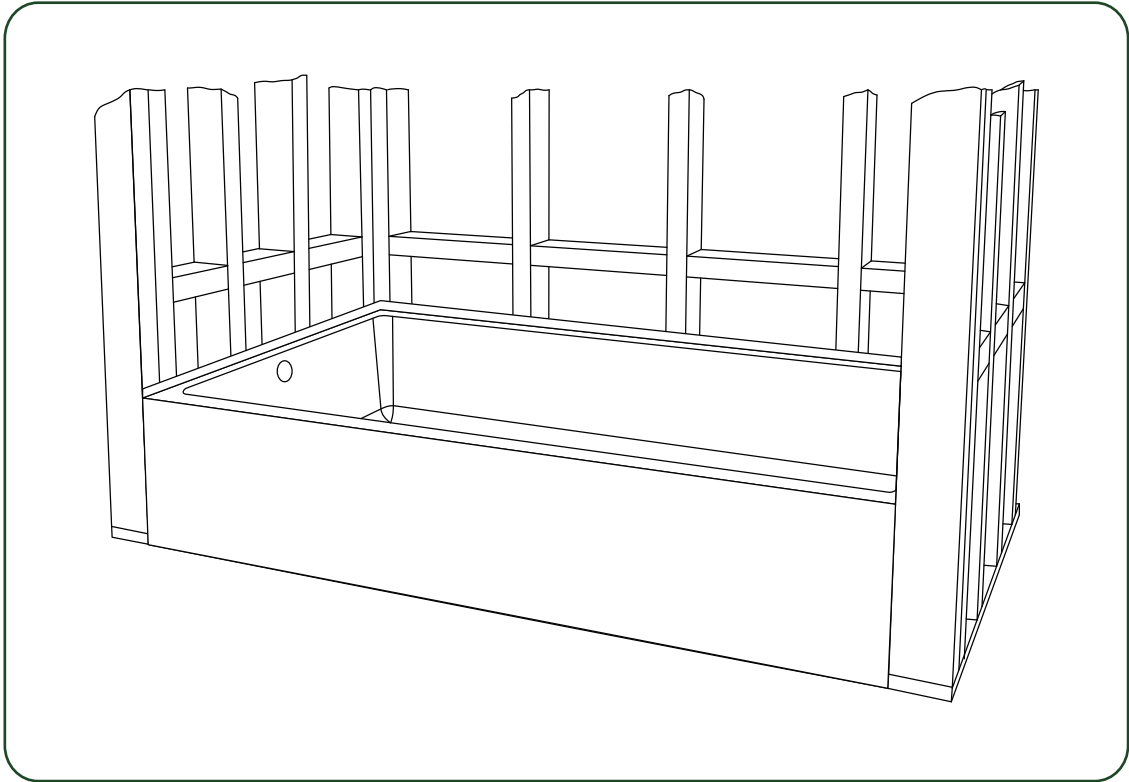


17

Once the mortar has been applied and before it begins to set, carefully position the bathtub in the installation area.

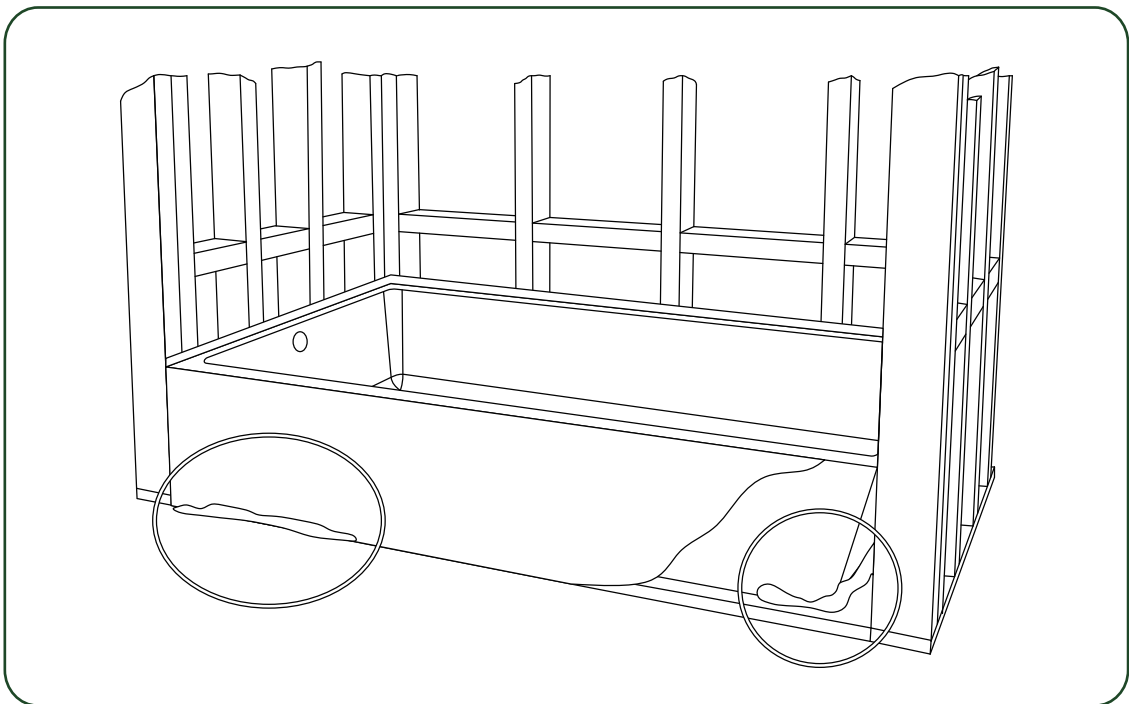
- a. The bathtub **MUST** be installed with even support around it, ensuring it is level. An uneven installation could compromise drainage.



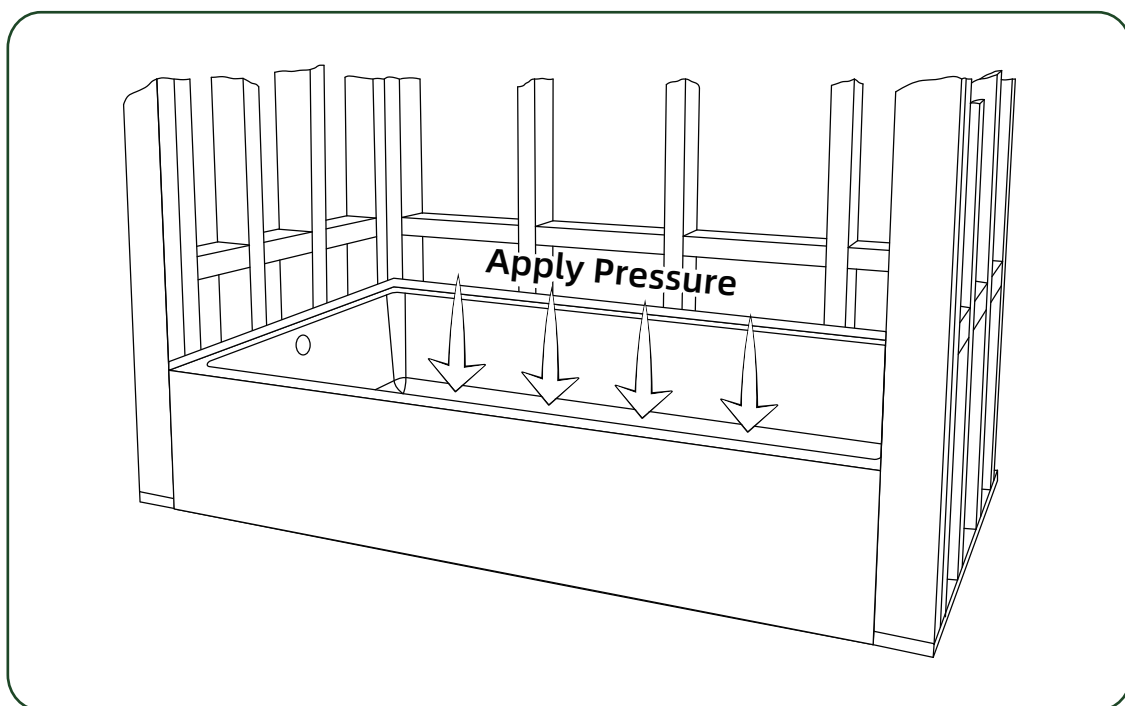


18

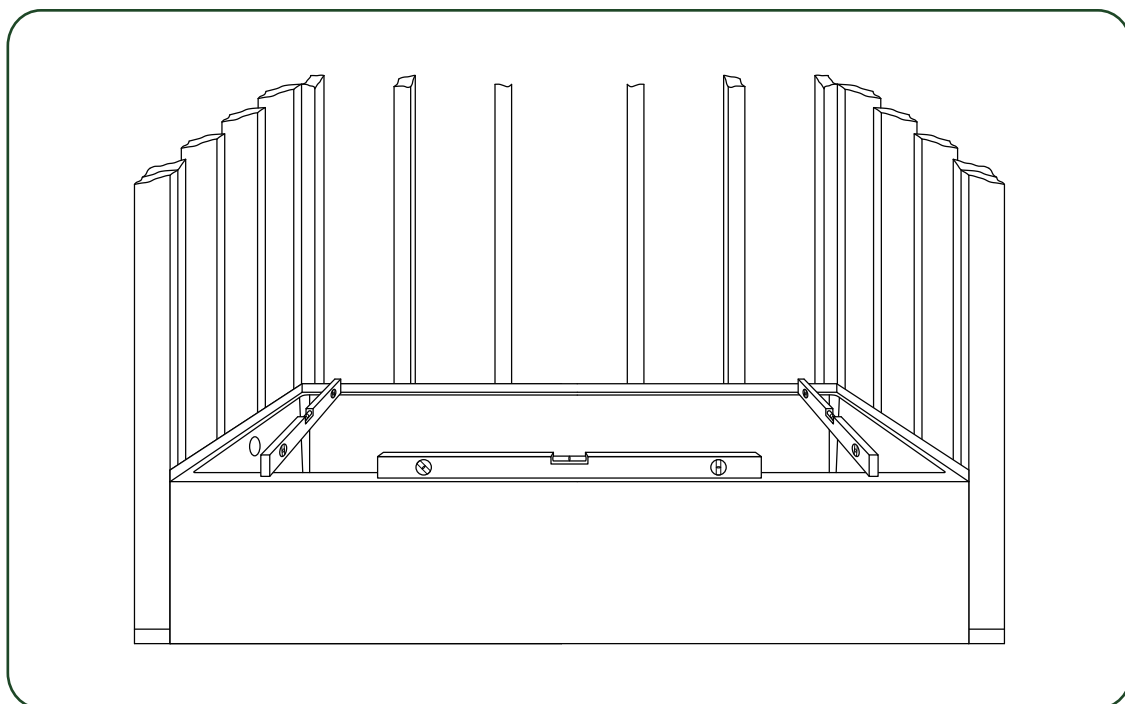
Let the bathtub settle into place, being vigilant of any excess mortar accumulating on its sides and ends.



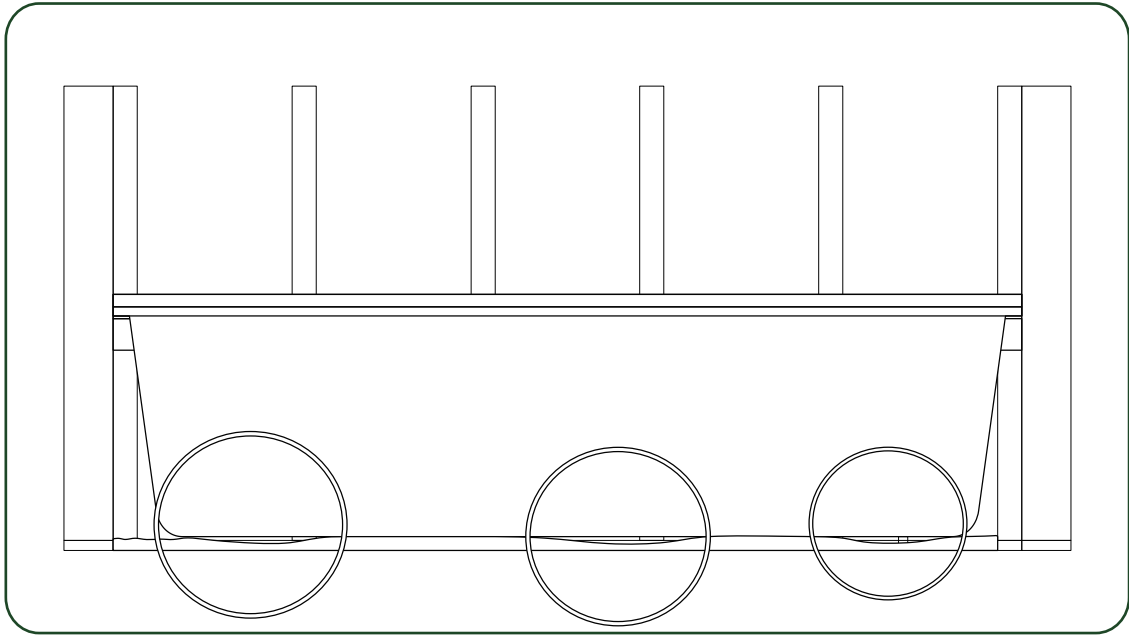
- 19 Apply pressure to the tub's center until the mortar solidifies.



- 20 Ensure the bath is level across the top and is plumb along the drain side. Adjust if necessary; if unlevel, use shims.

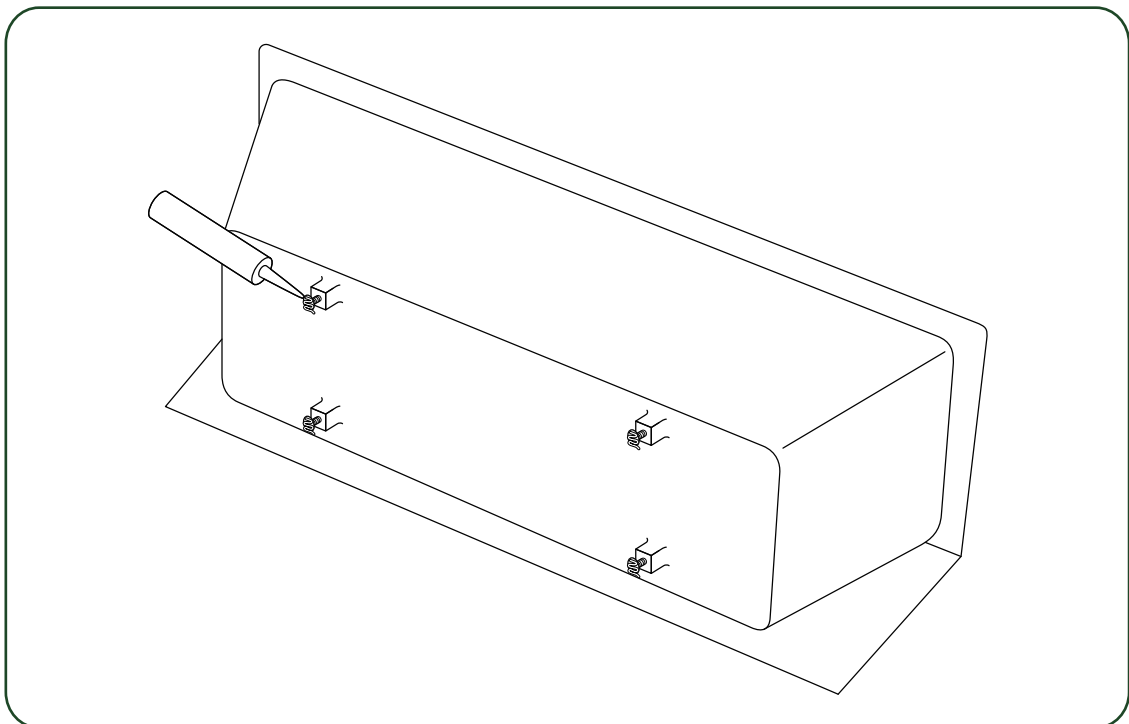


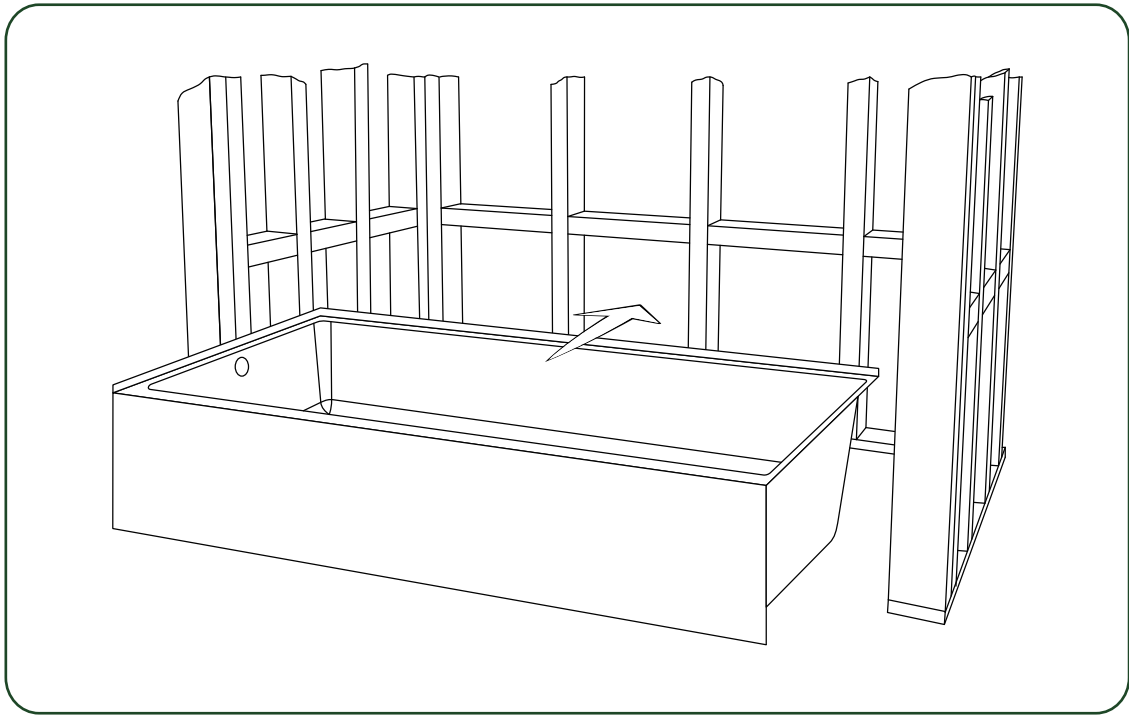
- 21** Allow the mortar bed to be set for at least 24 hours. Afterward, ensure that the mortar correctly supports every tub section. Add more mortar in areas where the tub lacks firm support.



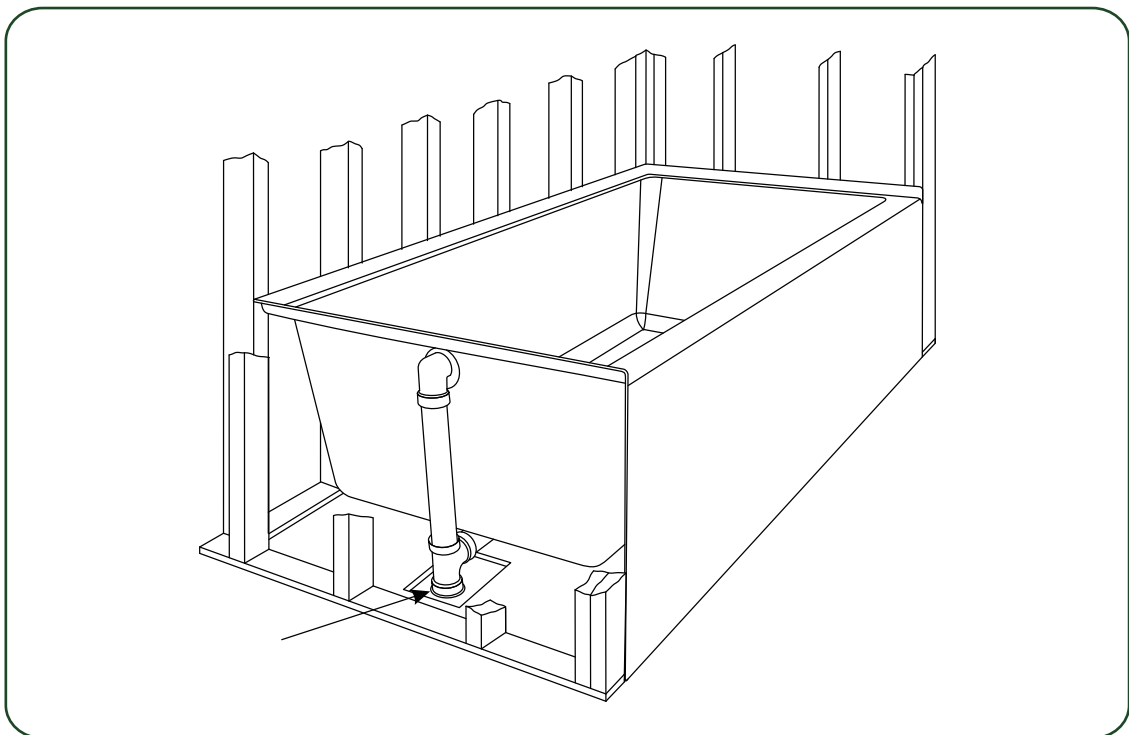
Construction Adhesive Installation

- 22** Apply ample construction adhesive to the base of the bathtub. Carefully position the bath in the alcove space. Adjust or shim as necessary. Ensure the bathtub is level on top and plumb by the drain. If still unlevel, use wood shims underneath the bathtub.





23 Complete the drain connection to the home's plumbing system.



24 The tiling flange is not designed to support the bathtub's weight; it **MUST** be fastened to the studs. It is advised to pre-drill the flange to prevent the acrylic from cracking.

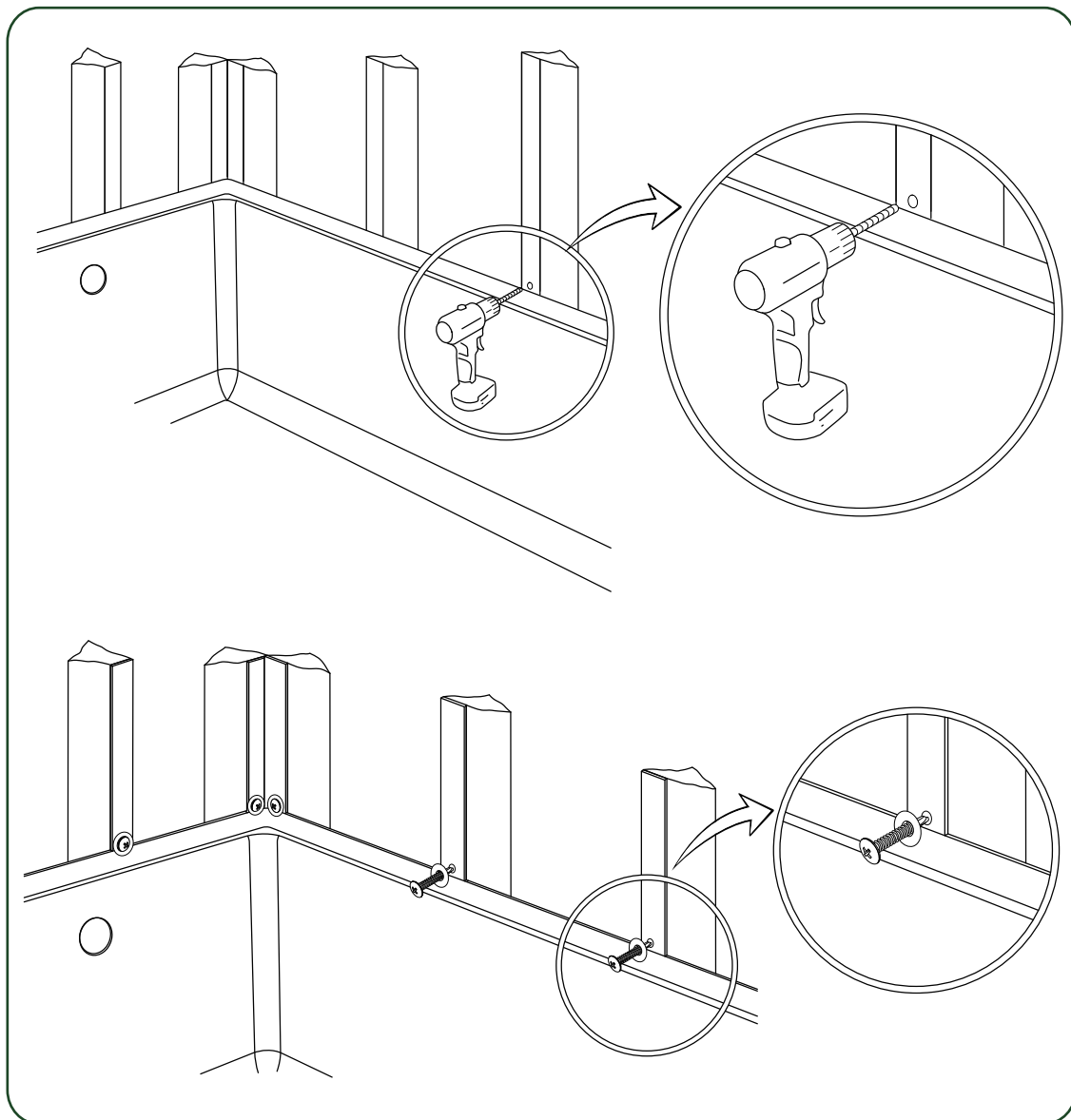
- Avoid pre-drilling holes straight into the studs.
- Refrain from driving nails through the tiling flange.

There are two approaches to firmly secure the bathtub in place against the studs.

- Drilling above the tiling flange
- Drilling through the tiling flange

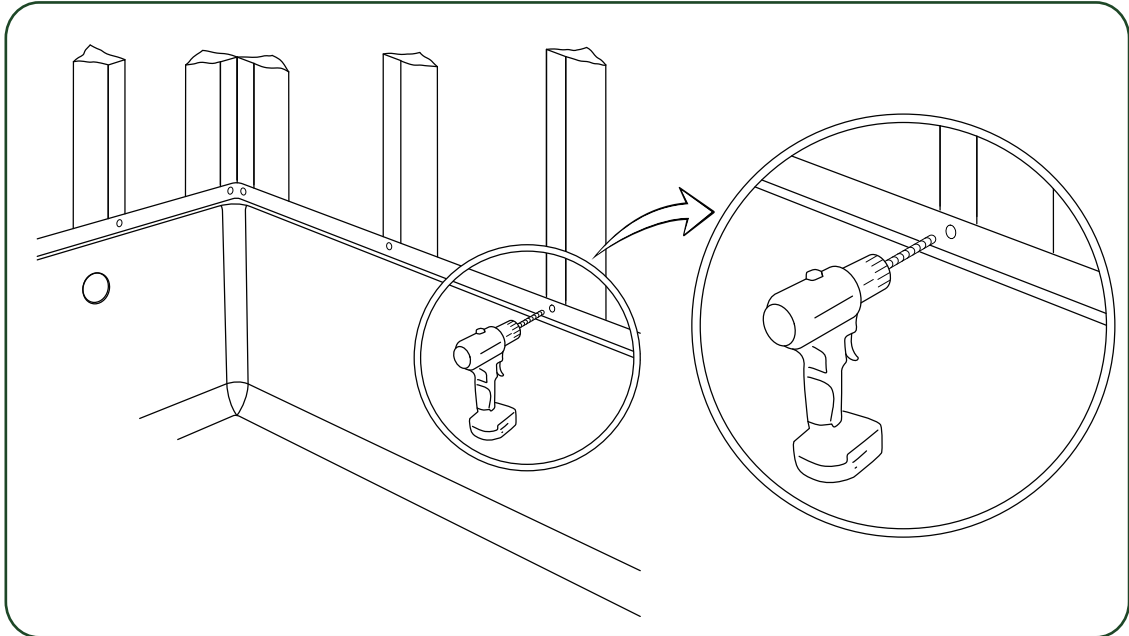
Drilling Above The Tiling Flang

For a secure attachment of the bathtub to the studs, employ screws and fender washers, drilling just above the tiling flange. Be cautious not to over-tighten, as excessive force can potentially damage the bathtub.

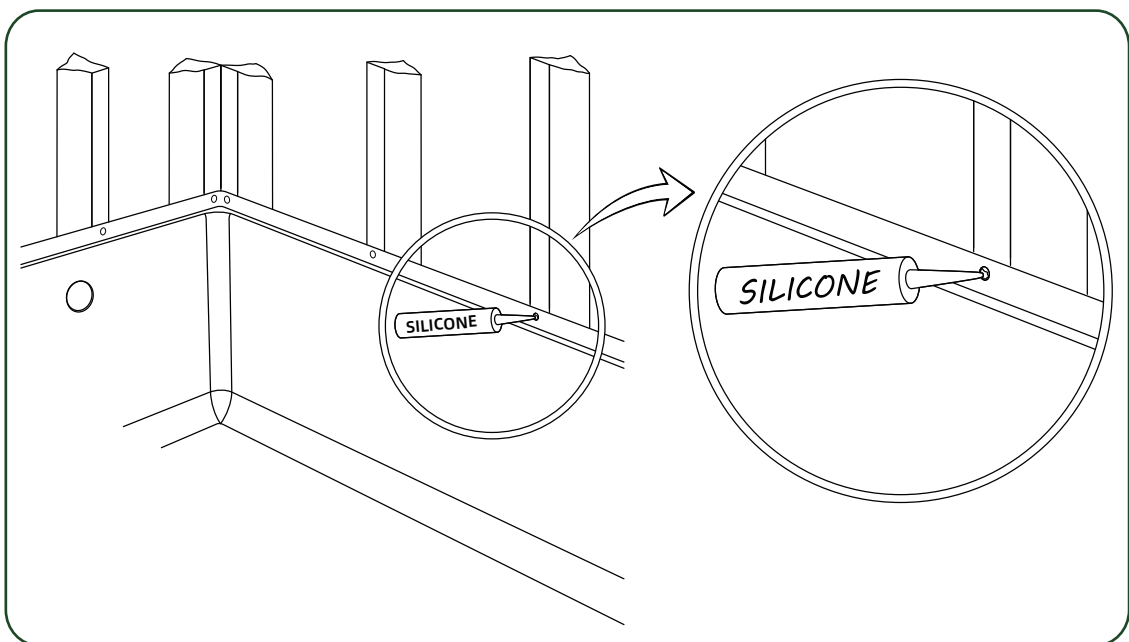


Drilling Through The Tiling Flange

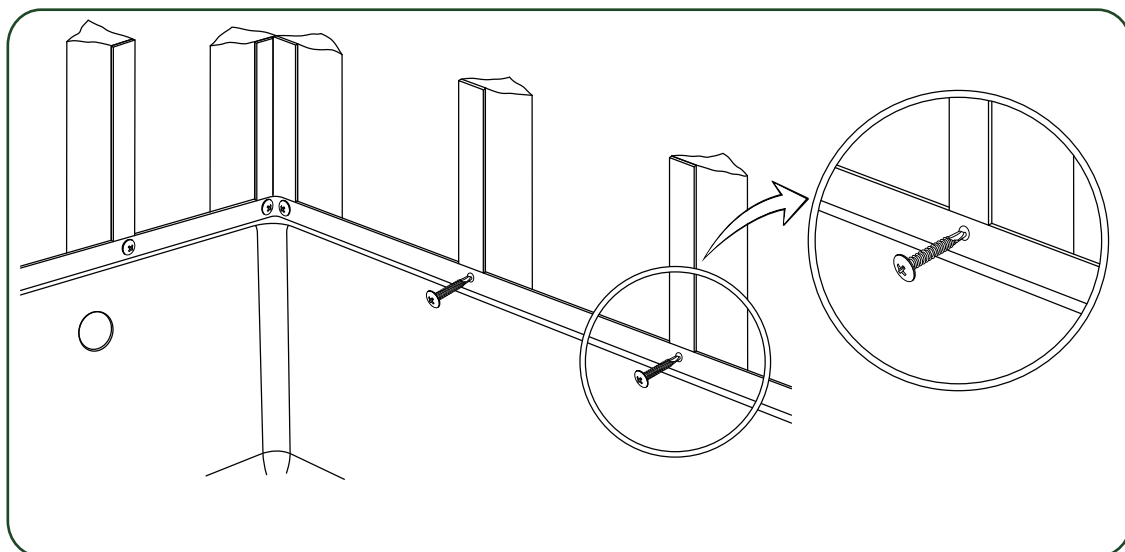
- 25** Using a drill bit, drill a pilot hole through the tiling flange at each stud location. When working with wood framing, a drill chuck can harm the product. Utilize a bit holder extension.



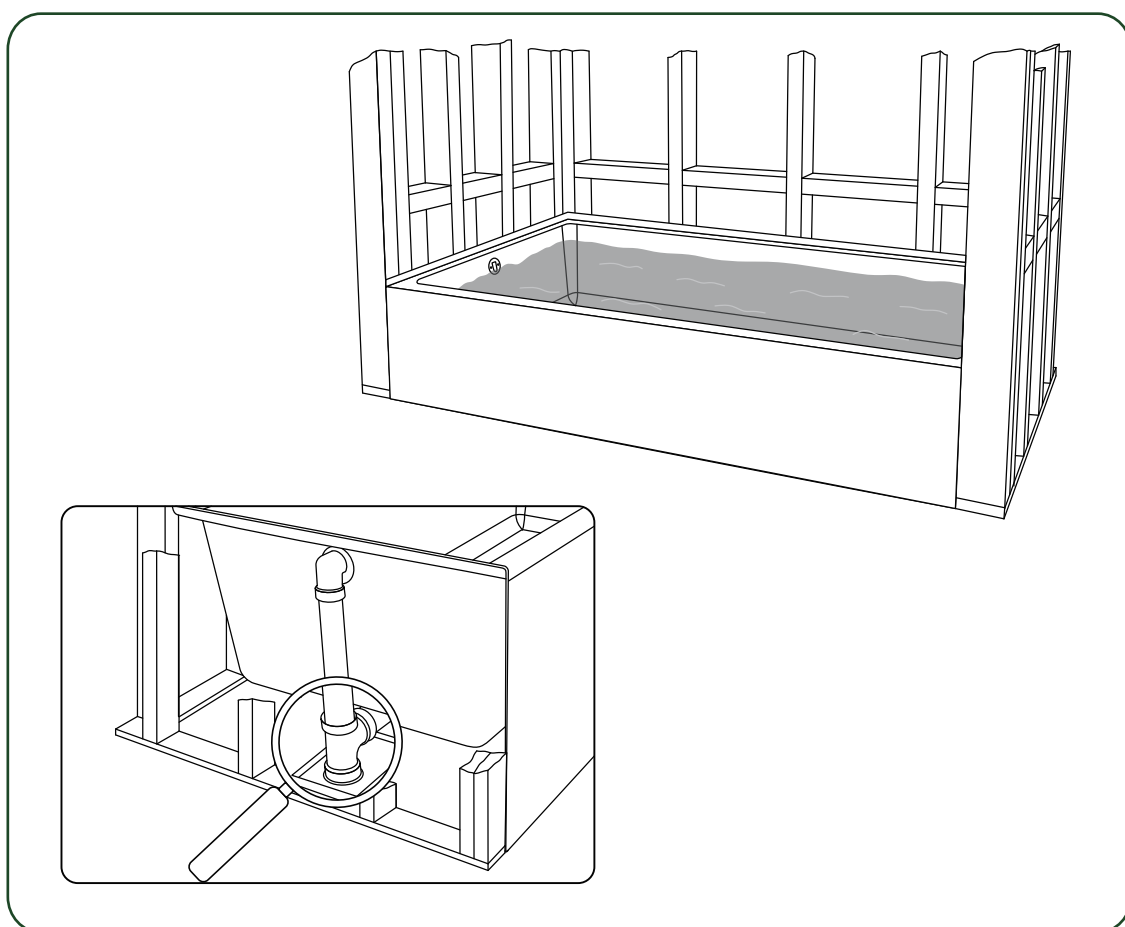
- 26** After drilling, apply silicone to the tiling flange holes to guarantee a watertight seal.



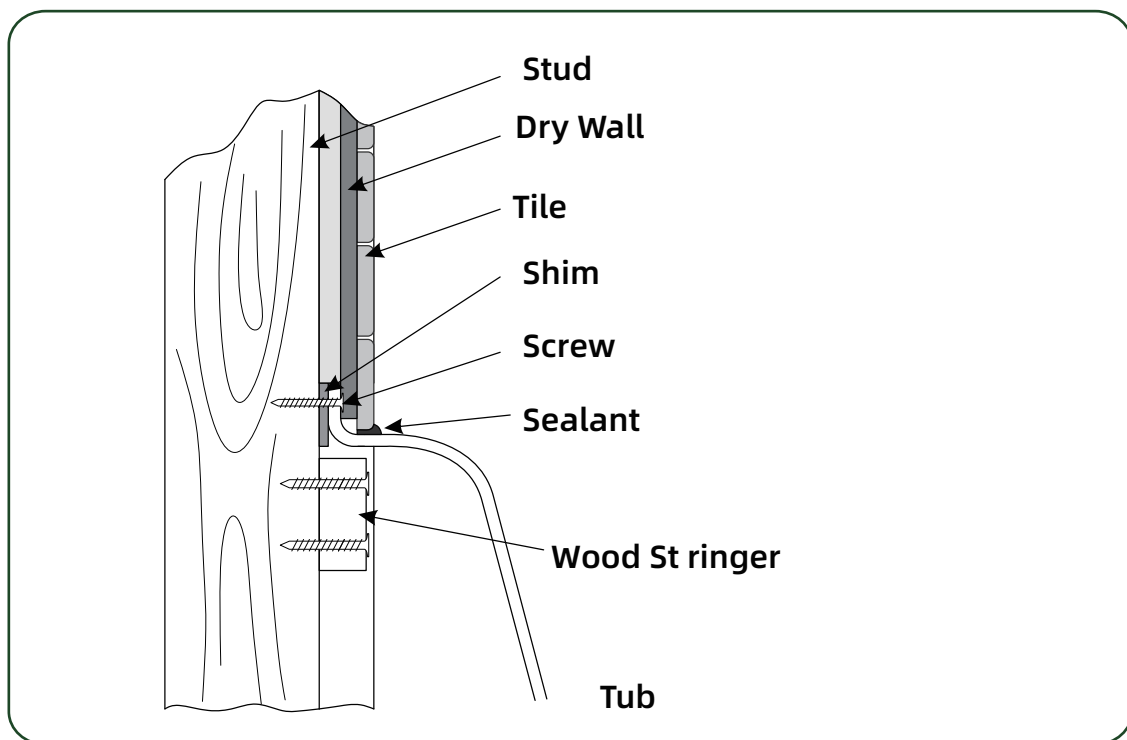
- 29** Secure with screws. Be cautious not to over-tighten, as excessive force can potentially damage the bathtub.



- 30** Before completing the installation, perform a thorough re-check of all plumbing connections to confirm there are no leaks and conduct an overflow water test to verify functionality. If leaks are detected, **DO NOT** proceed with tub installation.

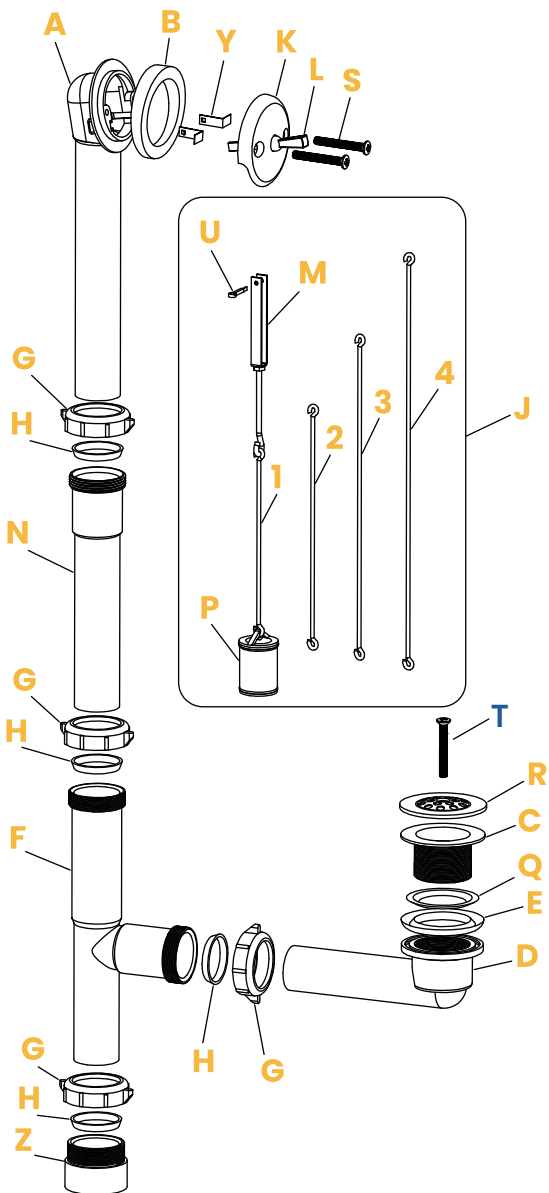


- 31 Mount water-resistant drywall or cement board on the framing and seal seams with 100% silicone sealant. Make sure to position the finished wallboard over the tiling flange, leaving a ¼" (6mm) opening, which creates a groove for the silicone sealant.
- 32 Fill the groove between the finished wall and rim with silicone sealant.
- 33 Install the finished wall material.
- 34 Lay down the finished floor.
- 35 Apply a 100% waterproof silicone sealant to seal any gaps between the bathtub's apron and the floor.



6. Drain Installation Instructions

PDRAIN SERIES



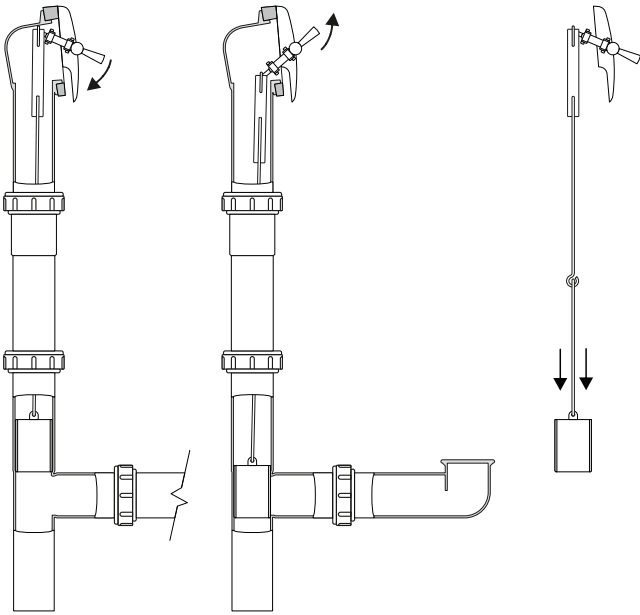
Parts Diagram

| | |
|-----|-------------------------|
| A | Overflow Elbow |
| B | Overflow Rubber Washer |
| C | Strainer |
| D | Drain Elbow |
| E | Drain Rubber Washer |
| F | Waste Tee |
| G | Slip Nut |
| H | Washer |
| J | Trip Lever Linkage |
| 1-4 | Linkage Wires |
| K | Trip Lever Face Plate |
| L | Trip Lever Handle |
| M | Threaded Rod |
| N | Extension Tube |
| P | Plunger |
| Q | Strainer Upper Gasket |
| R | Strainer Grid Plate |
| S | Overflow Plate Screws |
| T | Strainer Grid Screw |
| U | Cotter Pin |
| Y | Overflow Retainer Clips |
| Z | Drain Adapter |

Installation Instructions

1. Attach the strainer upper gasket (Q) to the strainer (C). Spread silicone sealant (not included) along the underside flange of the strainer (C). Align the drain elbow (D) and the rubber drain washer (E) from underneath the bathtub drain hole. Insert the strainer (C) into the drain hole and securely attach it from underneath the bathtub to the rubber drain washer (E) and to the drain elbow (D). Use pliers or a strainer wrench (not included) to tighten it.
2. Position a slip nut (G) and washer (H) onto the drain elbow (D), orienting the threads of the slip nut and the beveled edge of the washer toward the end of the tube.
3. Slide a slip nut (G) and washer (H) onto the overflow elbow (A), ensuring that the threads of the slip nut and the beveled edge of the washer are oriented toward the end of the tube.
4. Next, position the rubber overflow washer (B) onto the overflow elbow (A), with the thicker lip facing the overflow elbow's upper part, as indicated in the drawing.
5. Insert the longer arm of the retainer clips (Y) into the slots located just below the screw holes on the overflow elbow (A).
6. Measure from the center of the overflow hole to the bottom of the bathtub, where the drain elbow (D) will connect to the waste tee (F). Determine if the extension tube (N) is needed based on the measured height.
7. If the extension tube (N) is needed for the desired overflow height, insert the overflow elbow (A) into the extension tube (N), and carefully tighten the slip nut (G) without over-tightening. Then, position a slip nut (G) and washer (H) on the extension tube (N), orienting the threads of the slip nut and the beveled edge of the washer toward the end of the tube. Insert the extension tube (N) into the waste tee (F) and gently tighten the slip nut (G) without over-tightening.
- 7a. Please note that the extension tube (N) can be cut if necessary to fit the bathtub properly.
8. If the extension tube (N) is unnecessary, refrain from using it. Instead, insert the overflow elbow (A) into the waste tee (F) and gently tighten the slip nut (G) without over-tightening.
9. Position the overflow elbow (A) over the overflow hole from the bathtub's exterior.
10. Connect the trip lever linkage (J) to the trip lever faceplate (K) by aligning the holes and inserting the cotter pin (U). Then, using pliers, twist the pin to secure the connection.
11. From the interior of the bathtub, insert the linkage assembly (J) and the faceplate (K) through the overflow elbow (A). The drain assembly includes four linkage wires (1-4) to establish the suitable height of the linkage assembly. Refer to the next page of the installation manual to identify the correct wire based on the bathtub's soaking depth. If necessary, adjust the linkage length by turning the threaded rod (M).
12. With the trip lever set to the closed position, ensure that the plunger (P) rests on the internal stop of the waste tee (F).
13. Secure the trip lever plate (K) to the overflow elbow (A) by using the two overflow plate screws (S).
14. Verify the functionality of the plunger mechanism by raising and lowering the trip lever handle (L).
15. Install the strainer grid plate (R) and fasten it securely using the strainer grid screw (T).
16. Firmly tighten all slip joint connections. Perform a water test on the entire installation by filling the tub with water up to the overflow opening and inspecting for any signs of leakage from underneath the tub. Let the water sit in the bathtub for a minimum of 30 minutes and inspect if leakage is occurring.

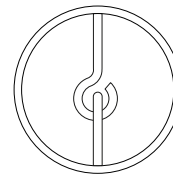
Adjusting The Linkage Assembly



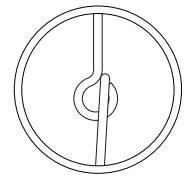
1. Insert the linkage assembly into the overflow, ensuring the trip lever is in the open position (Facing down).
2. Secure the overflow plate onto the overflow drain.
3. Push the trip lever firmly to the closed position (Facing up) in order to set the plunger in the drain.
4. Conduct a water test to check if the plunger is at the correct height.
5. If not, adjust the linkage length by turning the threaded rod or choose a different linkage wire.

Ensure that the linkage wire is correctly attached during the installation of the trip lever drain, as an improper installation may impact drainage.

Correct



Incorrect



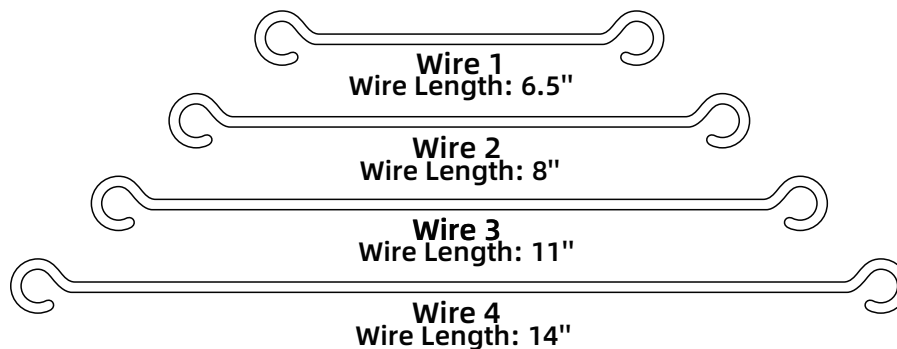
Linkage Wire Diagram

Step 1

Measure the distance from the center of the overflow hole to the bottom of the bathtub, where the drain elbow meets the waste tee.

Step 2

Refer to the table below and select the correct linkage wire for the distance measured.



Measurement From Step 1

11" to 14"
12.5" to 15.5"
15.5" to 18.5"
17.5" to 20.5"

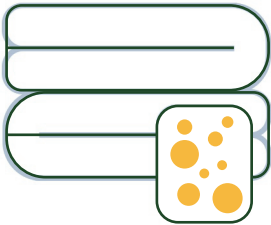
Use Wire

1
2
3
4

*Drawings are not to scale

8.

Use & Care Guide



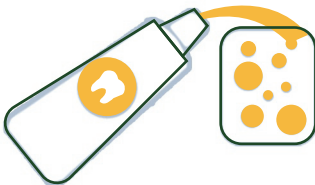
In order to clean the bathtub, please only use a soft cotton cloth or soft sponge.



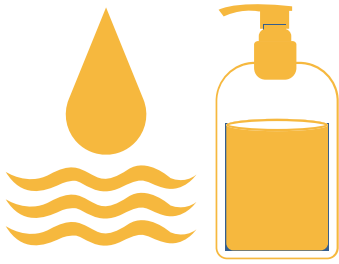
Never use acidic, alkali, or any products to clean the bathtub that state on their label that they are Not Suitable for use on Acrylic, ABS, Polystyrene or Plastic.



To clean inside the bathtub, fill it with warm water and add a couple of squirts of dish liquid. Allow it to sit for 30 minutes. Let the bathtub drain and wipe away any residue.



In order to remove light marks or scratches, apply toothpaste to the area and scrub with a soft cloth or sponge.



If deep cleaning is necessary, rinse or soak the tub in warm water for 30 minutes and add a bit of liquid soap or dish soap to the water. Rinse and dry with a soft towel.



It is advised to clean the surface of the bath regularly in order to remove any insoluble products. Warm soapy water should be used and afterwards the bath should be wiped. Do not let cleaners soak in.



It is advised to always run some cold water before turning on the hot tap, with hot water temperatures not exceeding 65 Celsius.



The surface of the bathtub has good resistance properties to acids, but should not come into contact with alkalis or organic solvents, such as caustic soda, some multi-surface cleaners, bathroom cleaners, bleaches, harsh solvents, burning cigarettes, strong chemicals such as dry-cleaning fluids, paint strippers, acetone, citrus based chemicals, and nail/varnish removers.

HOME SERVICES



INSTALLATION VIDEO

Missing Part or Defective?

Please Contact the Customer Service Team

✉ service@getprohome.com

☎ 626 679 3588