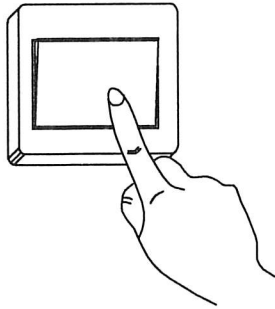


Installation Instruction

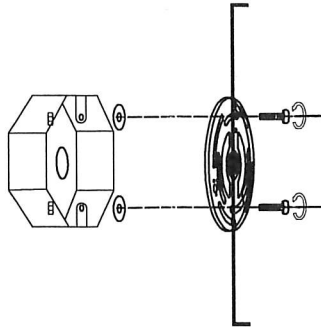
D14"x8"xH16" L3*E12

1



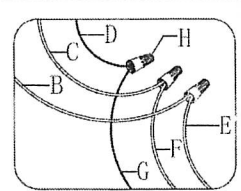
Turn off the power.

2



Install mounting bracket.

3

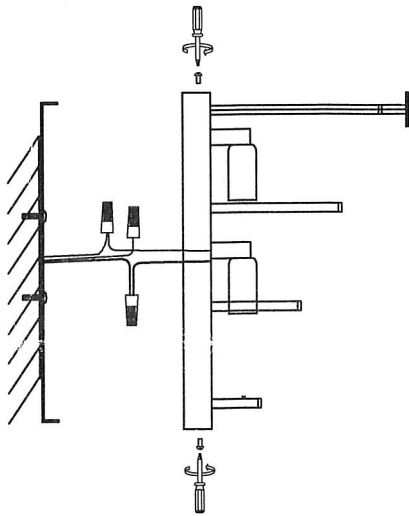


Wire connection

- B-Black wire (L) from junction box
- C-White wire (N) from junction box
- D-Green wire/bare copper (G) from junction box
- E-Black wire (L) from fixture
- F-White wire (N) from fixture
- G-Green wire/Bare copper from fixture
- H-wire connector x 3

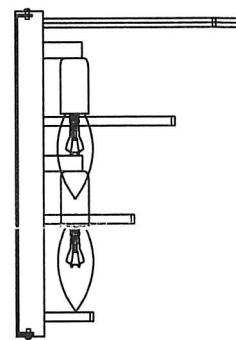
Connect wires.

4



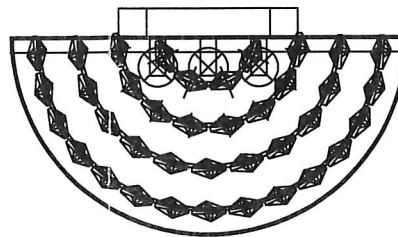
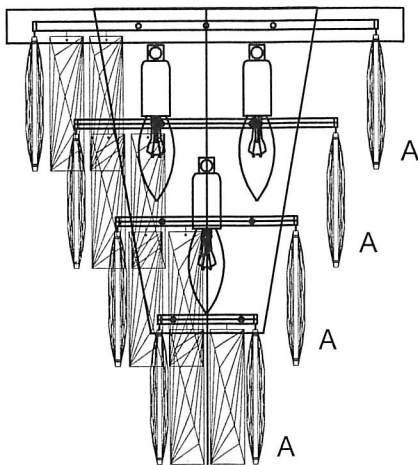
Attach the lamp body to the crossbar,
Secure it with the screws.

5



Install bulbs

6



Crystal Equipped

A



30x120mm 38PCS

Please test the power first to ensure that the light source works normally, then cut off the power, and then do the necessary installation works (such as hanging glasses or crystals).

Warning:

1. Please wear gloves during the installation.
2. Do not install on ceiling which is damp or with wet limewater.
3. Cut off the electricity before installation in case of being shocked.
4. Make sure the connected bolt is tightly locked before getting through the electricity.



5. Do not cut off the electricity before washing or repairing, and use the scour without causticity.
6. Please cut off the electricity and wait until the bulb gets cooling before replacing the bulb in case of being burned.