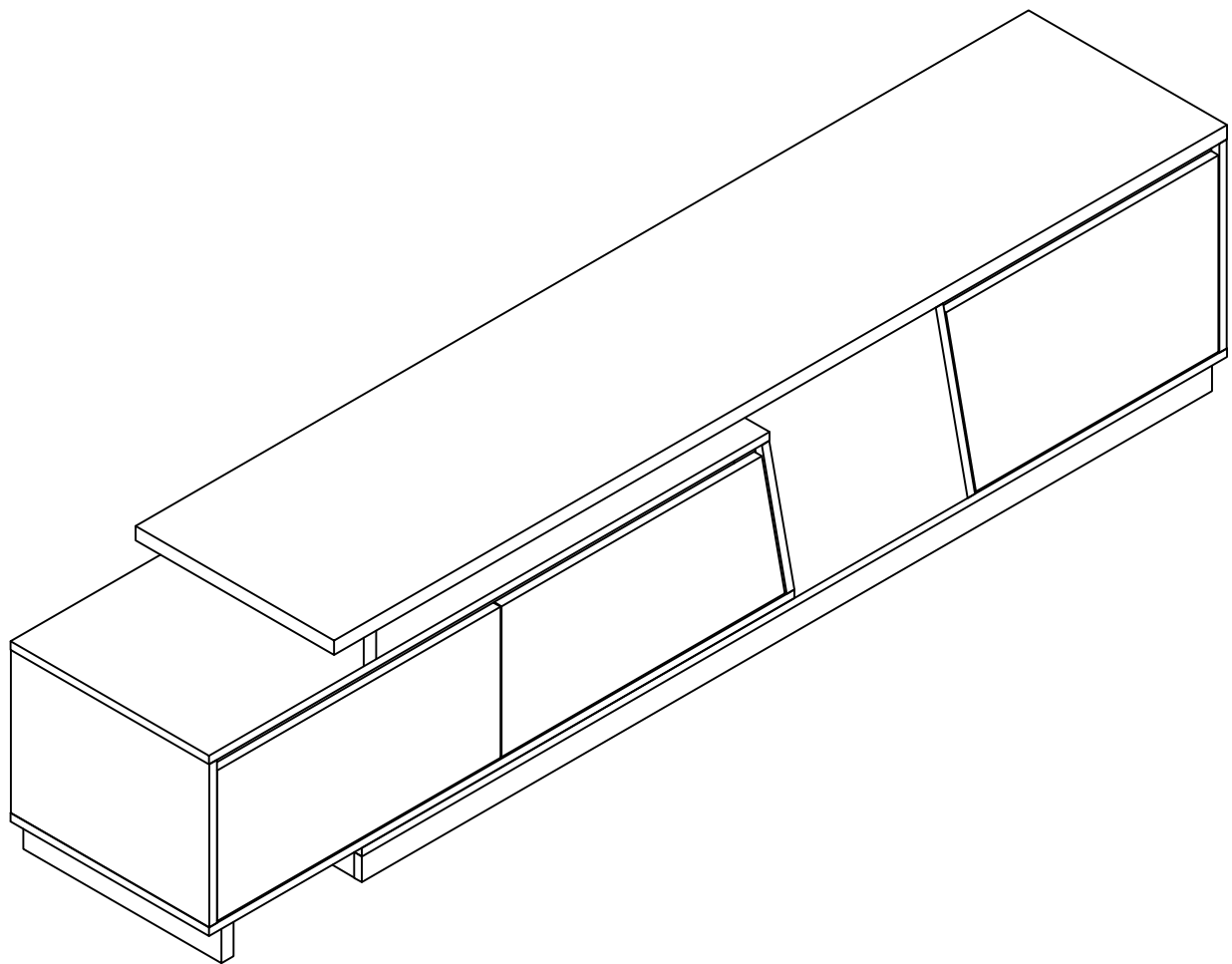


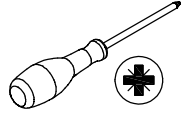
# Installation

## *Product Manual*



# Hardware List

The following tools are recommended.



A x 85

M6\*35mm

B x 85

Ø15\*10mm

C x 28

Ø8\*30mm

D x 2

E x 8

Ø4\*30mm

F x 28

Ø3.5\*12mm

G x 4

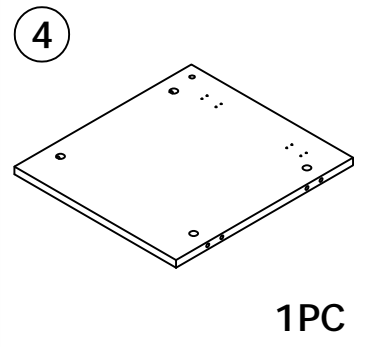
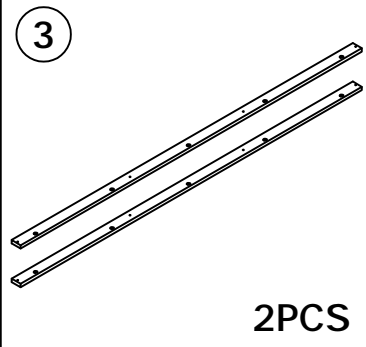
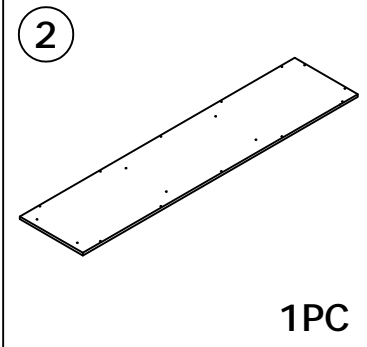
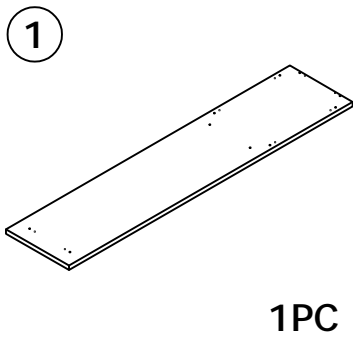
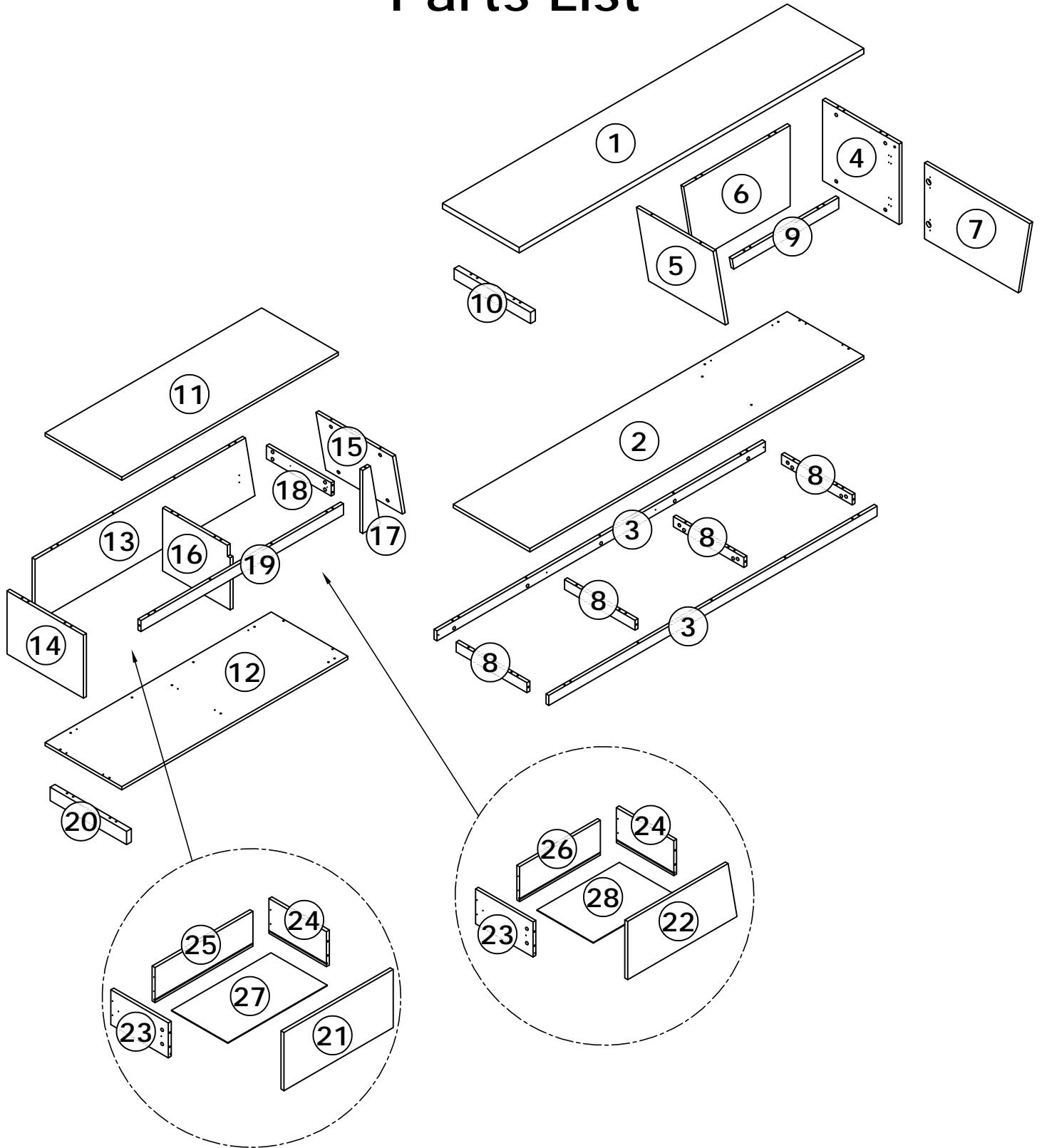
12"

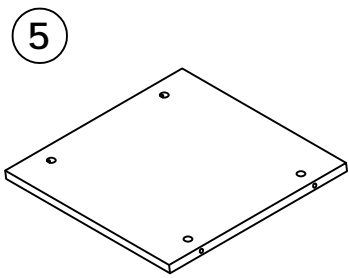
H x 1

I	Spare Parts	
A x 4	B x 4	
C x 2	E x 1	
F x 4		

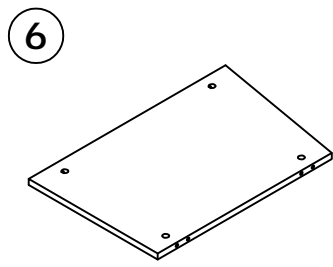
Accessory ( G ) is not in the accessory bag but in the package due to its size

# Parts List

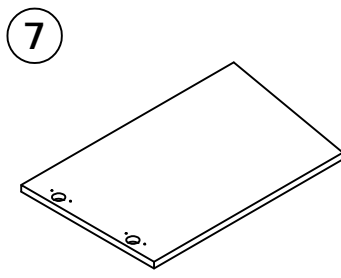




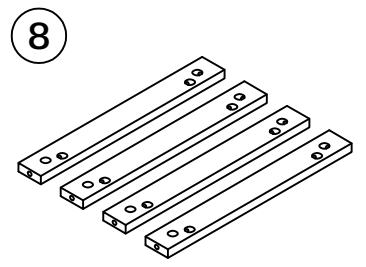
1PC



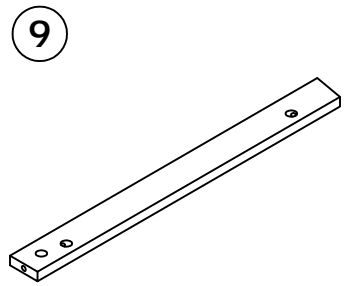
1PC



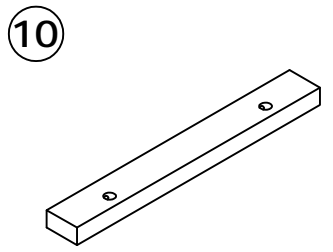
1PC



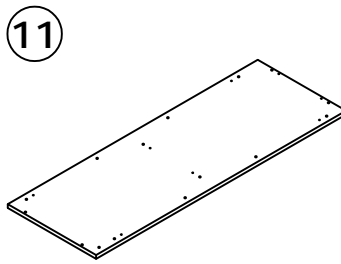
4PCS



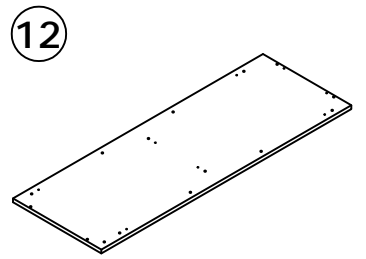
1PC



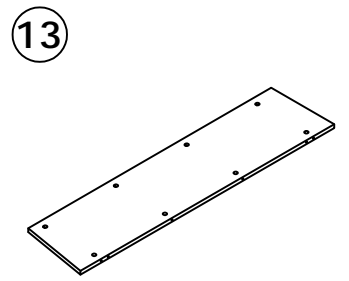
1PC



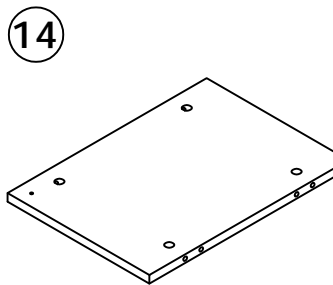
1PC



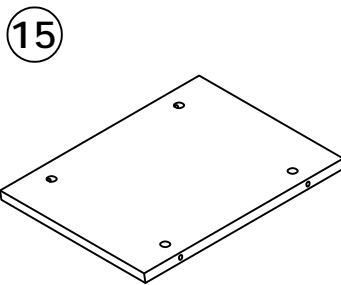
1PC



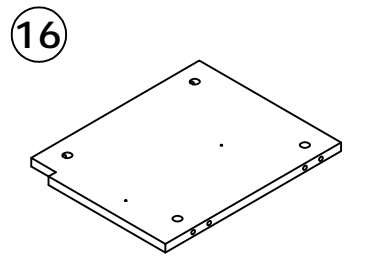
1PC



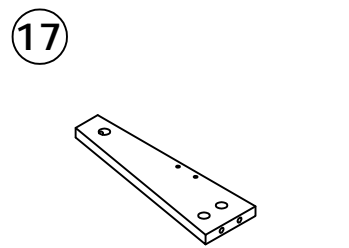
1PC



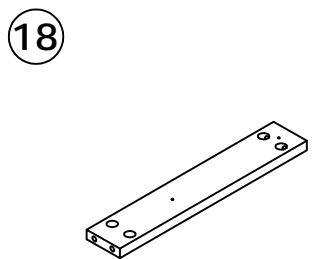
1PC



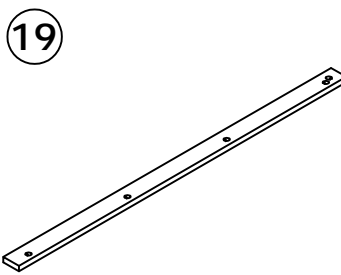
1PC



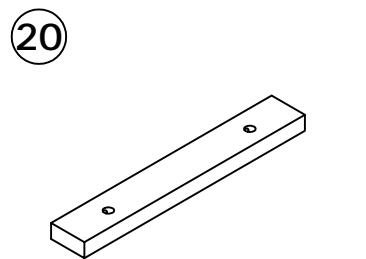
1PC



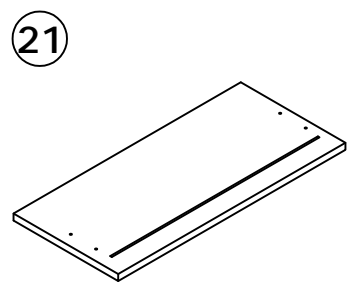
1PC



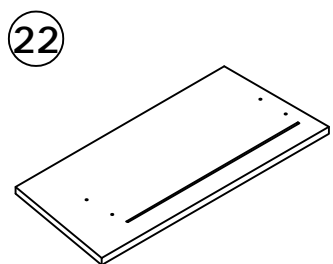
1PC



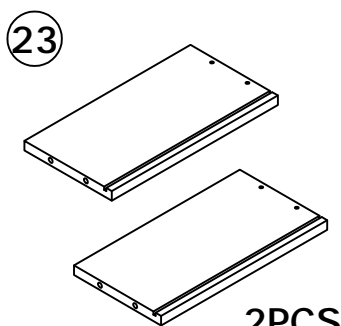
1PC



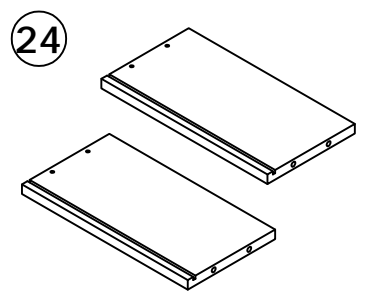
1PC



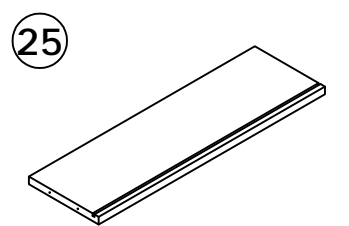
1PC



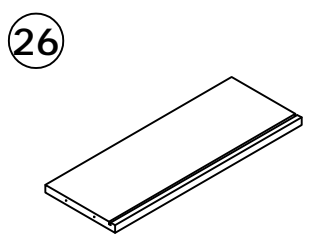
2PCS



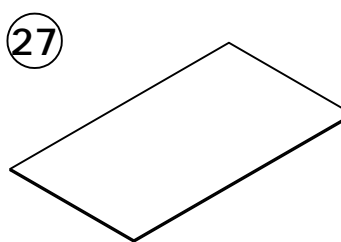
2PCS



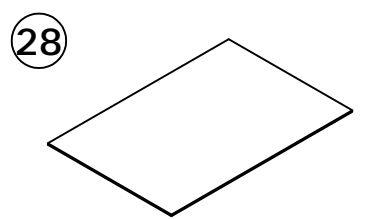
1PC



1PC



1PC



1PC

# Matters Need Attention

## *During Installation*

1. Do not discard packing material until assembly is complete, as small parts may loosen inside the carton during shipping. If there is a missing part, please contact our after-sales team.
2. Please assemble this item on soft surfaces such as carpets to protect the finish.
3. Pay attention to stability when assembling to avoid falling or scratching.

## *Cleaning and Maintenance*

1. To protect the finish, avoid chemicals and household cleaners.
2. Keep away from the heat source to prolong the service life.
3. Wipe off any remaining liquid on the surface with a damp cloth.

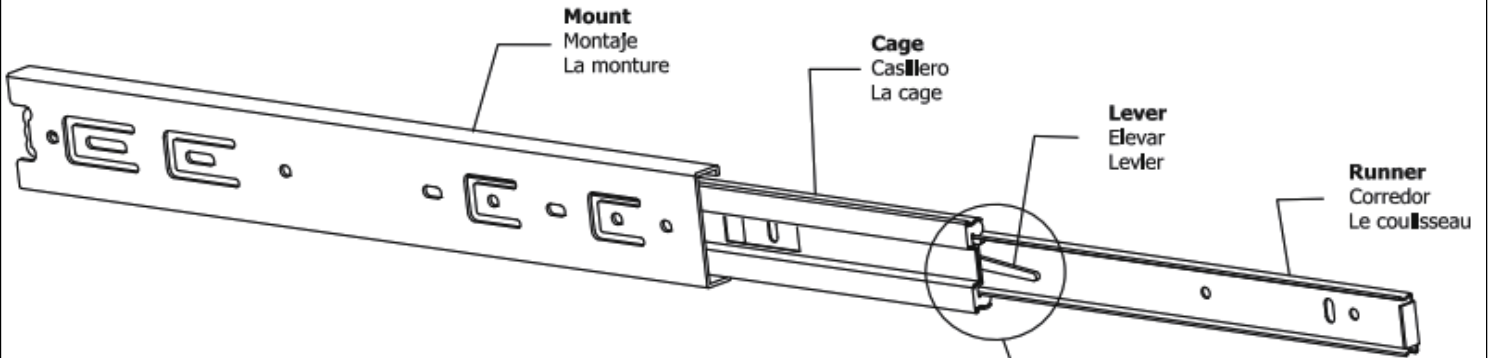
## Step 1

Separate all 4 slide rails (G) into (G1) and (G2) as shown. Install them separately in later steps

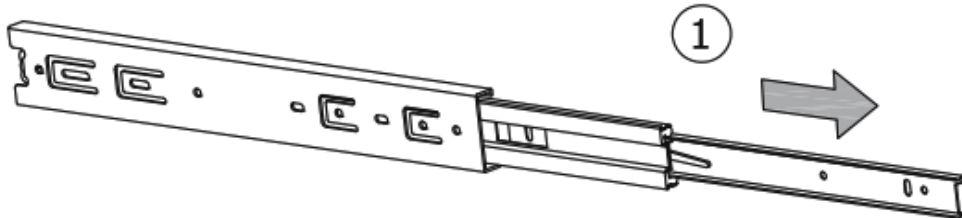
**Slides Must Be Separated Before Assembly.**  
**After Separated, Set Aside Until Needed for Assembly.**

Las diapositivas deben separarse antes del montaje.  
Después de la separación, déjelo a un lado hasta que sea necesario.

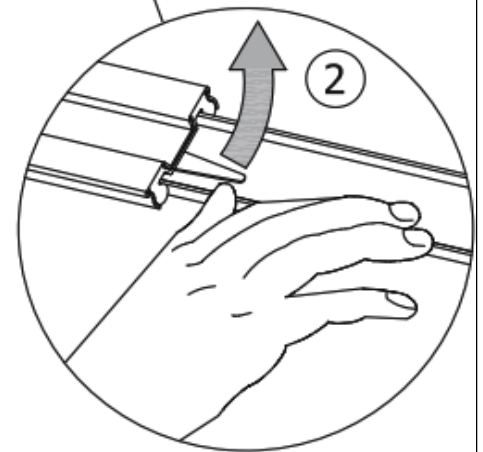
Les glissières doivent être séparées avant l'assemblage.  
Après la séparation, mettez de côté jusqu'au moment de l'assemblage.



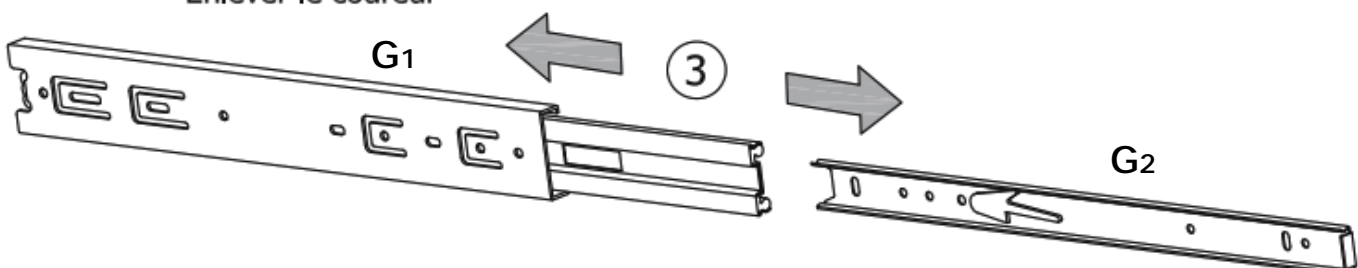
**STEP 1: Extend Slide**  
Extender la diapositiva  
Extendre la diapositive



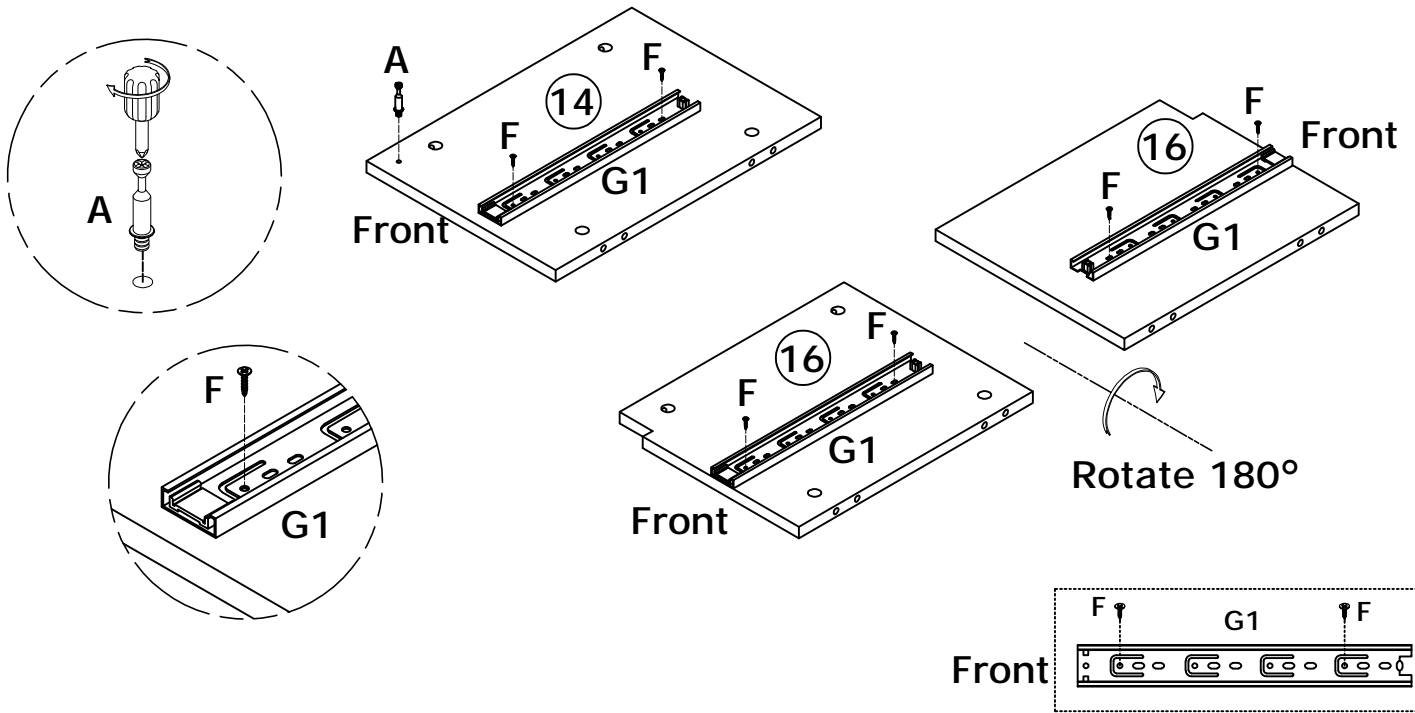
**STEP 2: Push Lever UP**  
Empujar hacia arriba  
Lever le levier






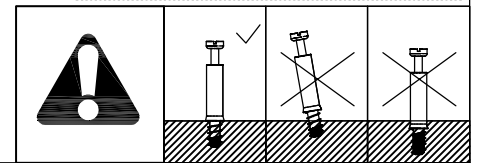
**STEP 3: Remove Runner**  
Quitar el corredor  
Enlever le coureur



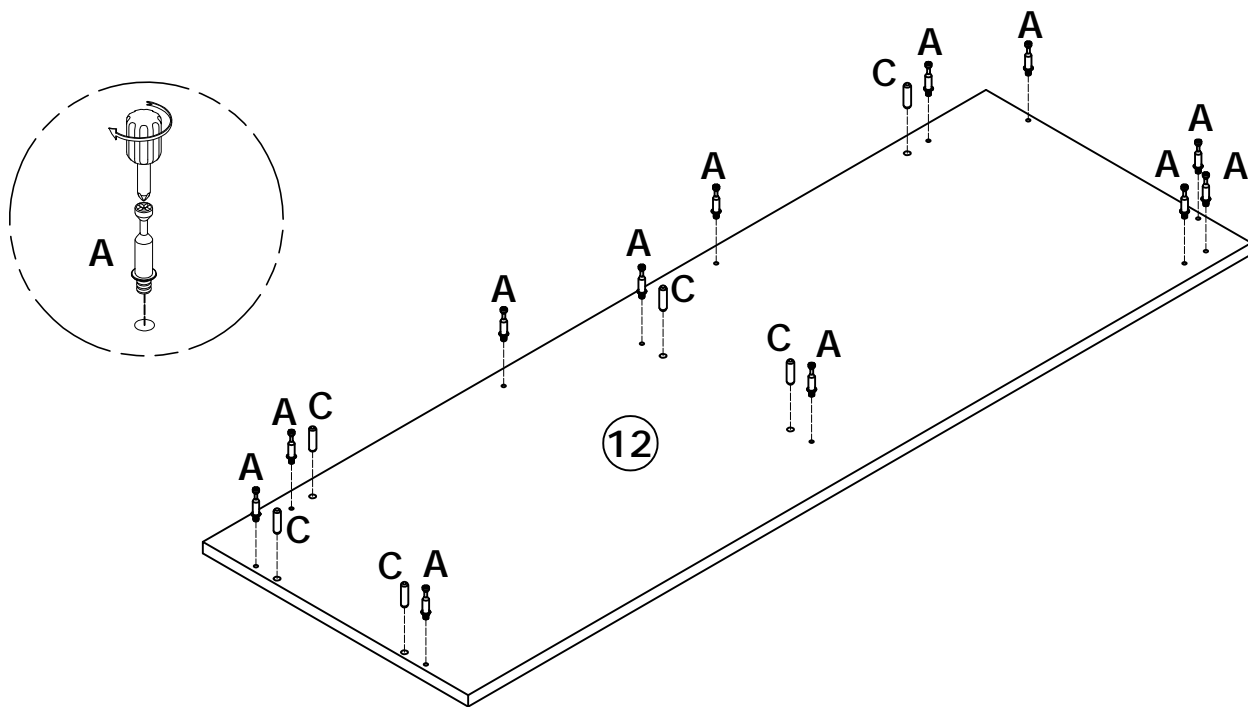
- Step 2**
1. Install part (A) on panel (14)
  2. Use part (F) to install part (G1) on panels (14, 16)

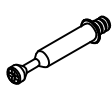



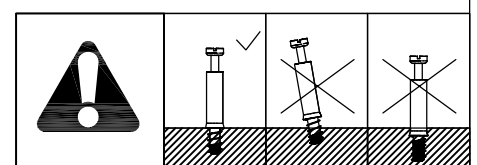
A x 1  M6*35mm	F x 6  Ø3.5*12mm	G x 3  G1 12"
---	---	--



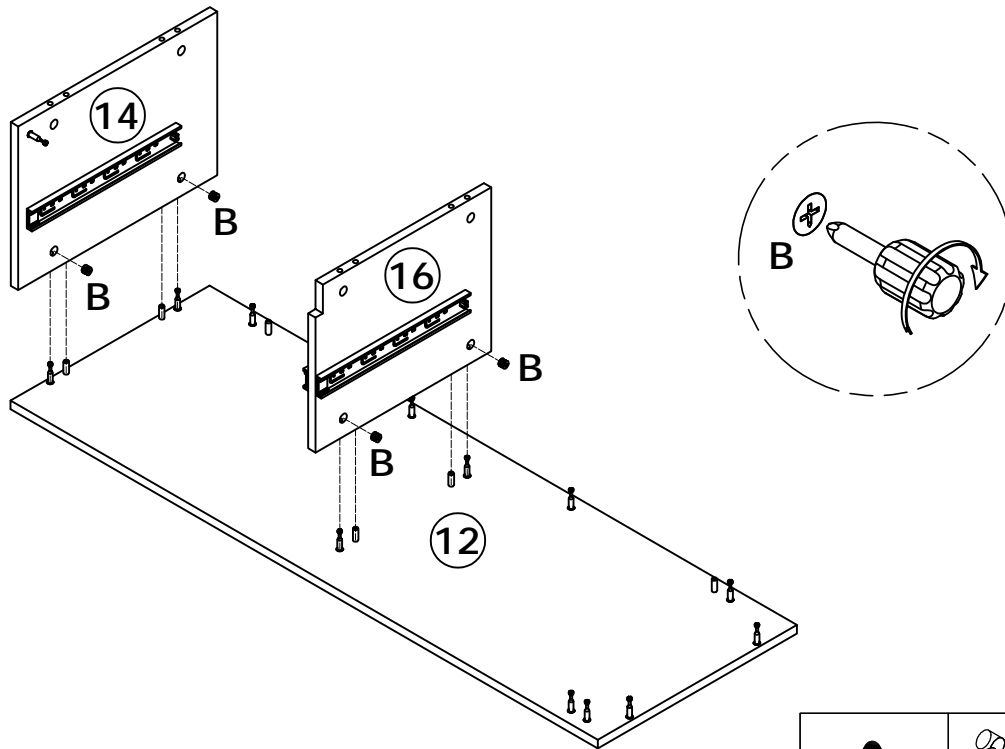
**Step 3** Install parts (A) and (C) on panel (12)



A x 12  M6*35mm	C x 6  Ø8*30mm
---	---



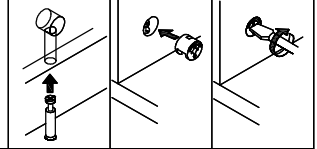
**Step 4** Install panels (14, 16) on panel (12), and secure them with part (B)



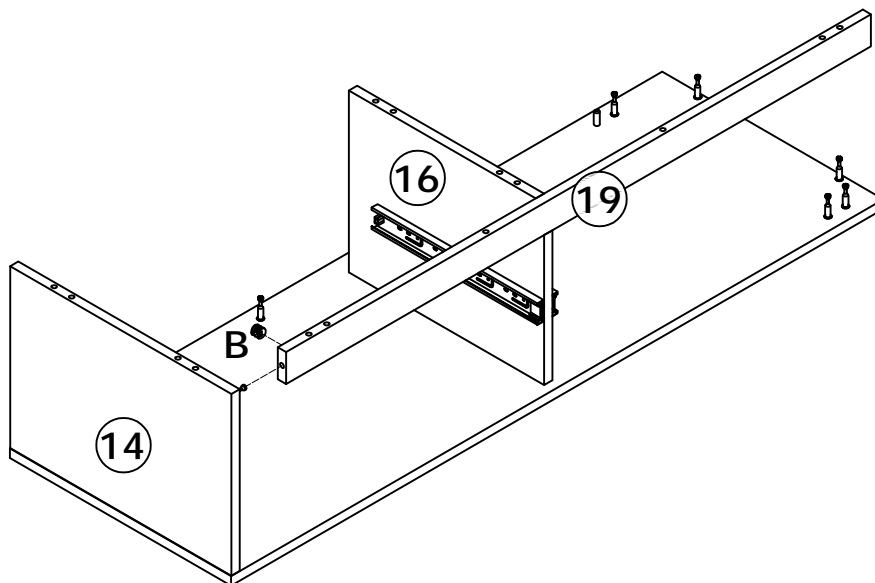
B x 4



Ø15\*10mm



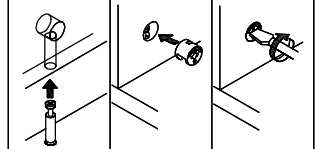
**Step 5** Install panel (19) on panel (14), and secure it with part (B)



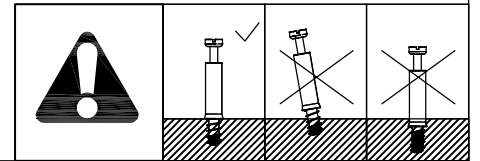
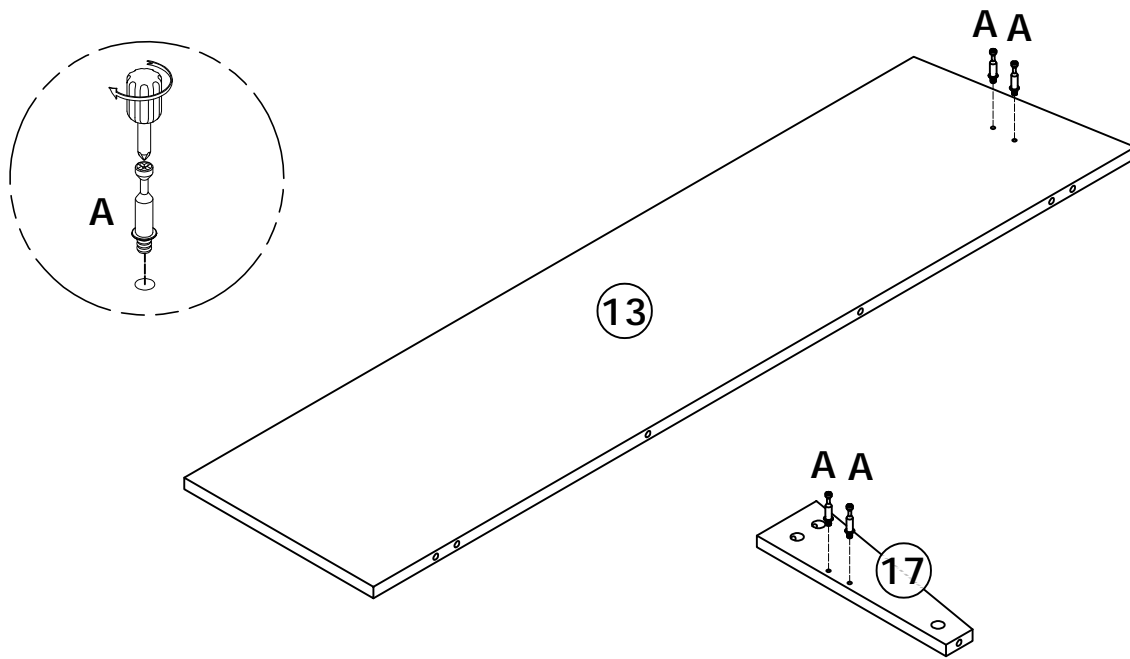
B x 1



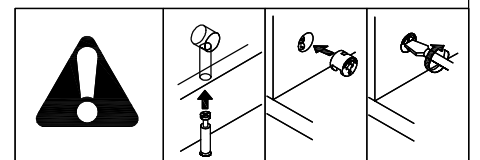
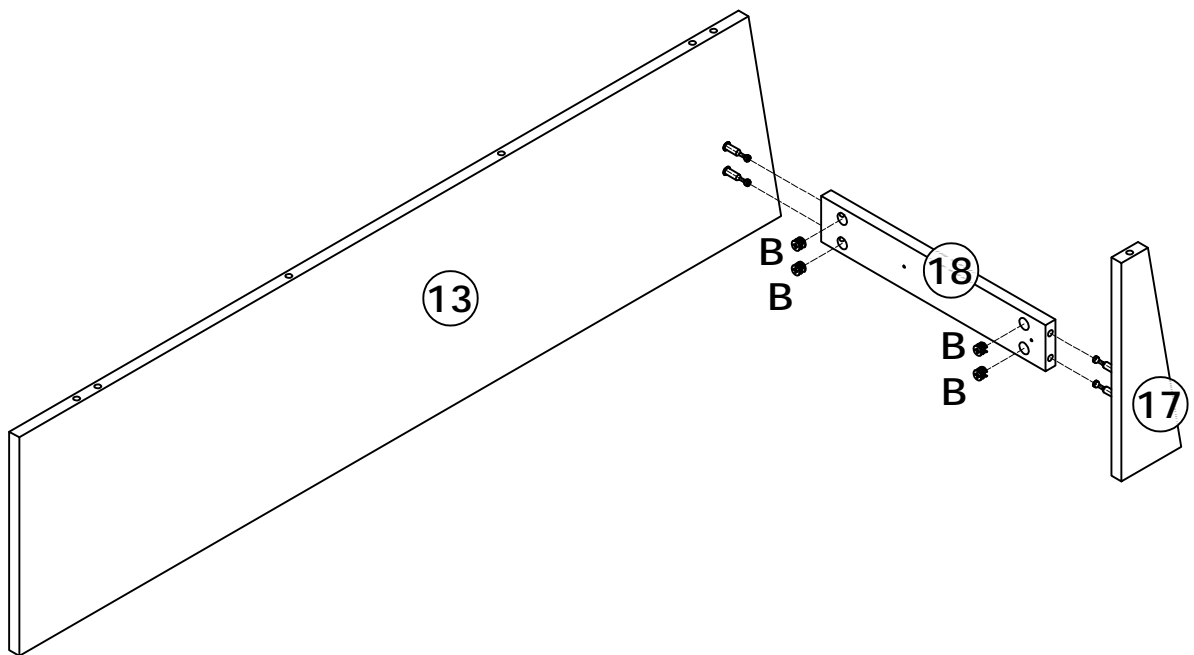
Ø15\*10mm



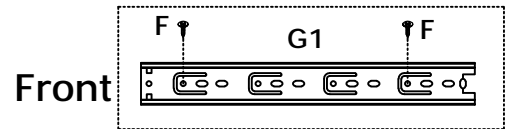
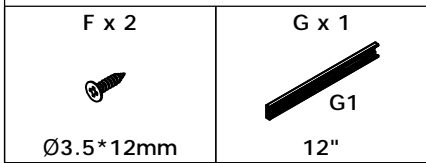
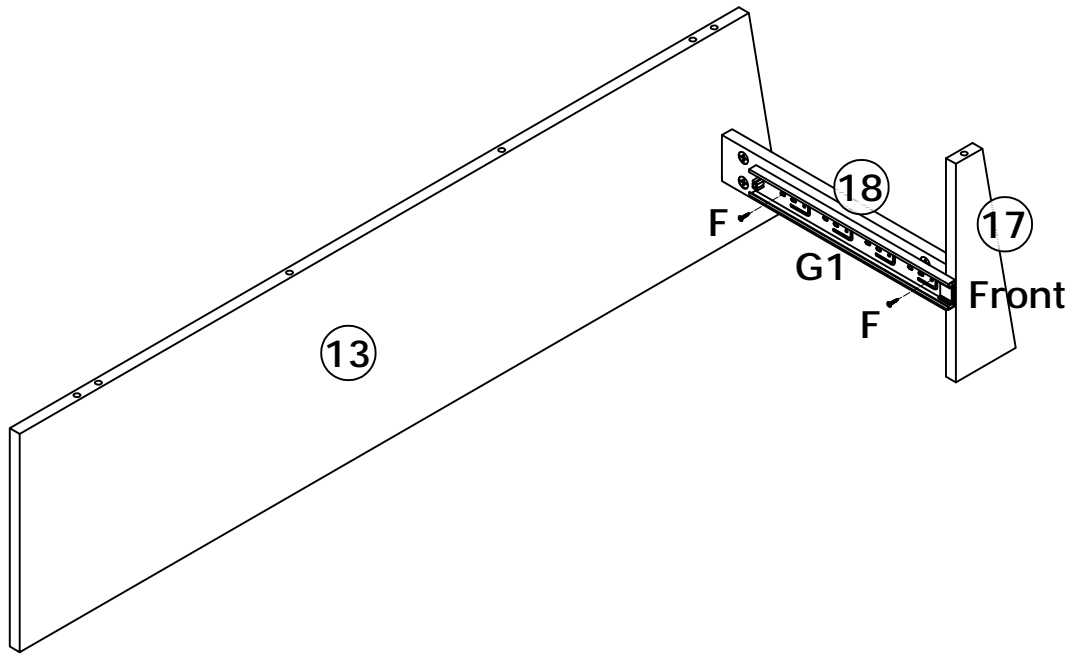
## Step 6 Install part (A) on panels (13, 17)



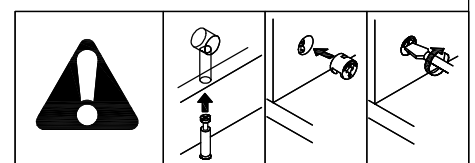
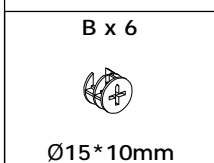
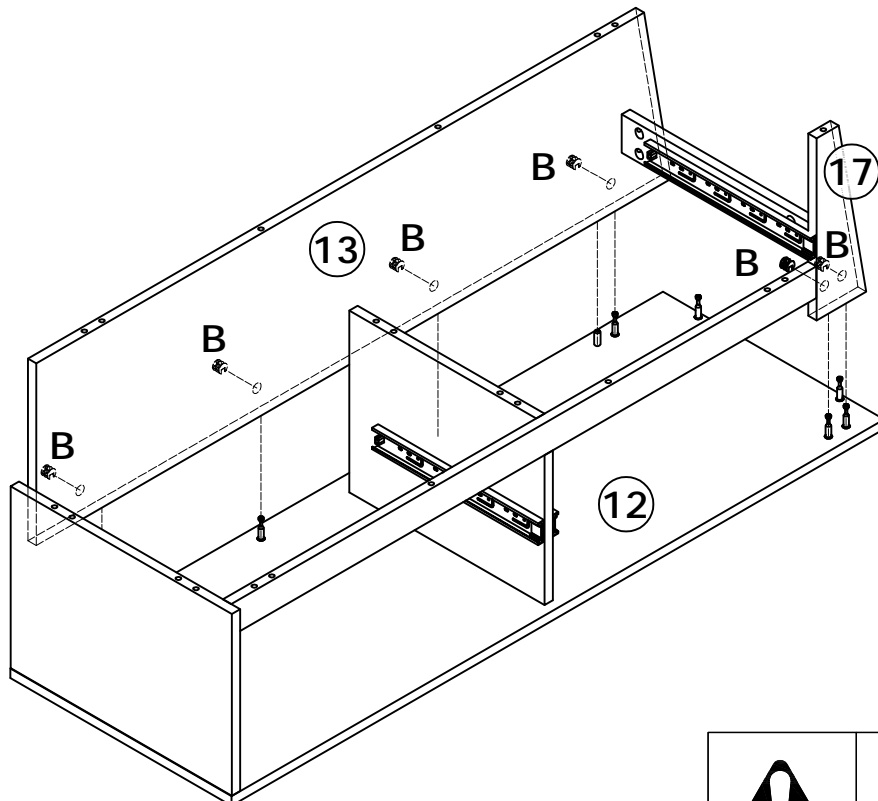
## Step 7 Connect panels (13, 17, 18) and secure them with part (B)



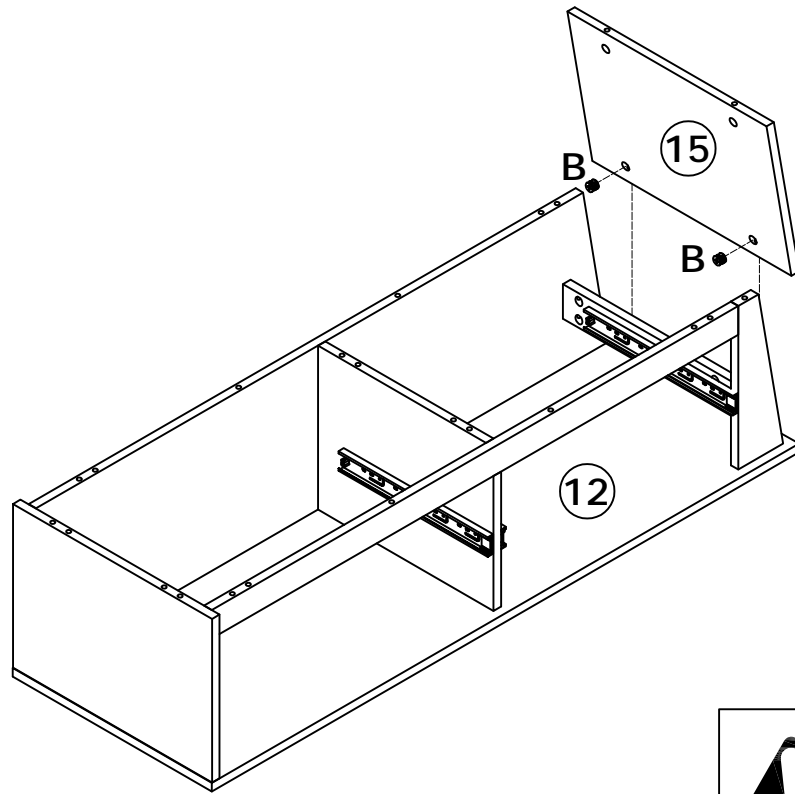
**Step 8 Use part (F) to install part (G1) on panel (18)**



**Step 9 Connect panels (13, 17) to panel (12), and secure them with part (B)**



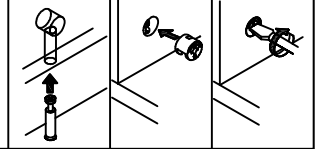
**Step 10** Connect panel (15) to panel (12), and secure it with part (B)



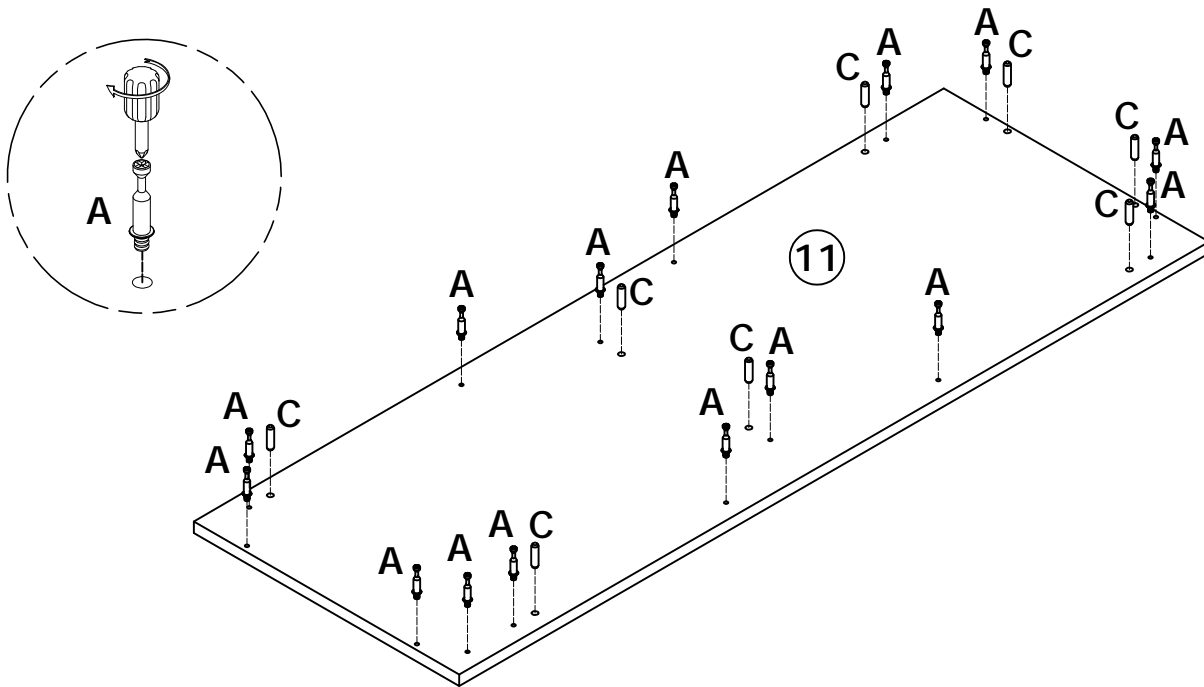
B x 2



Ø15\*10mm



**Step 11** Install parts (A) and (C) on panel (11)



A x 15

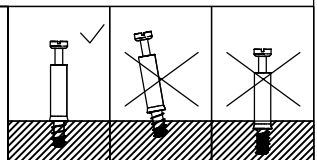


M6\*35mm

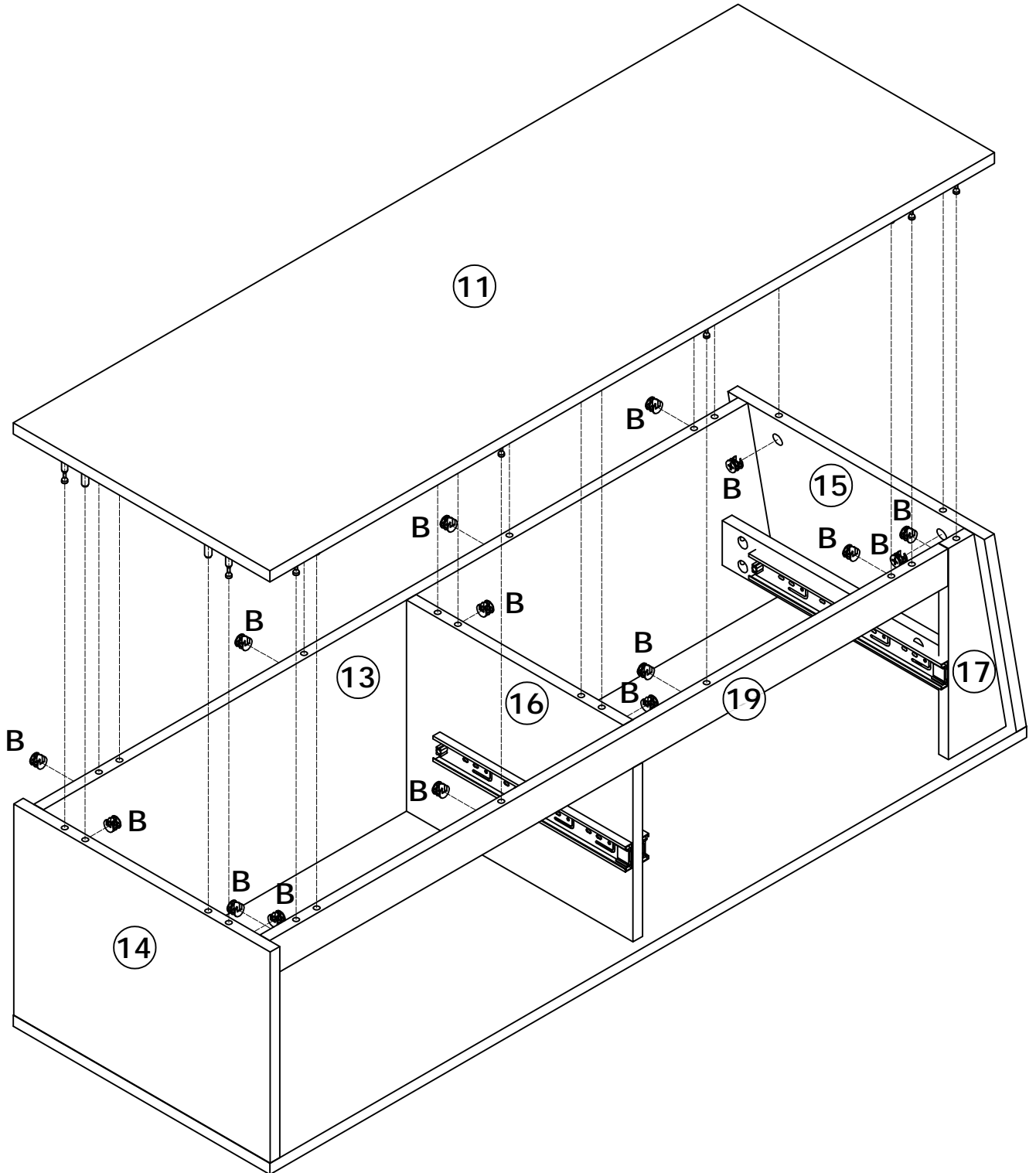
C x 8



Ø8\*30mm



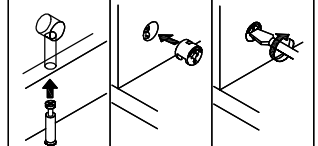
Step 12 Connect plate (11) to panels (13, 14, 15, 16, 17, 19), and secure them with part (B)



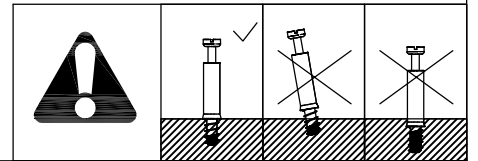
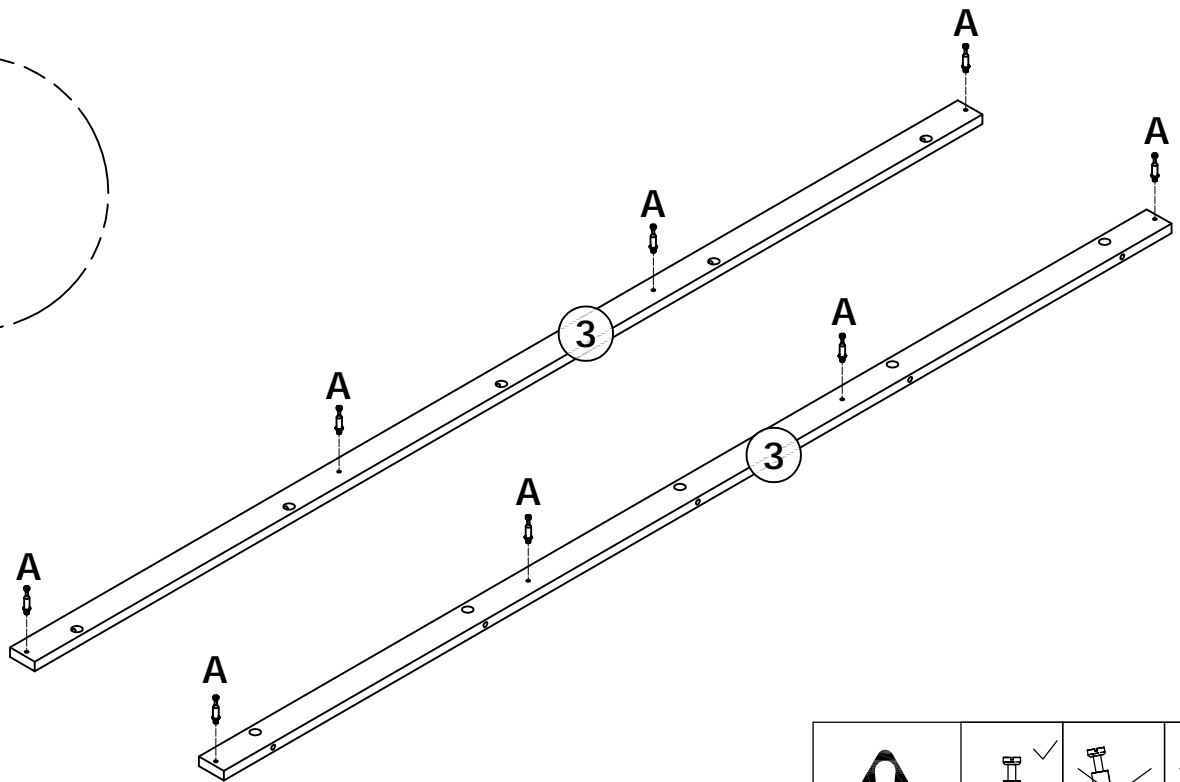
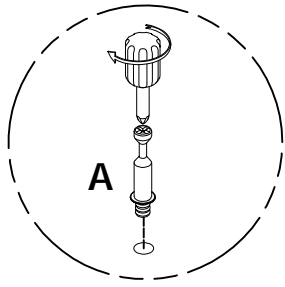
B x 15



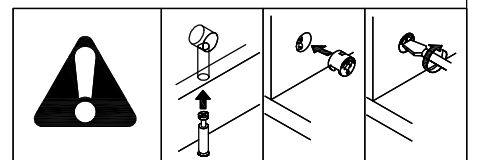
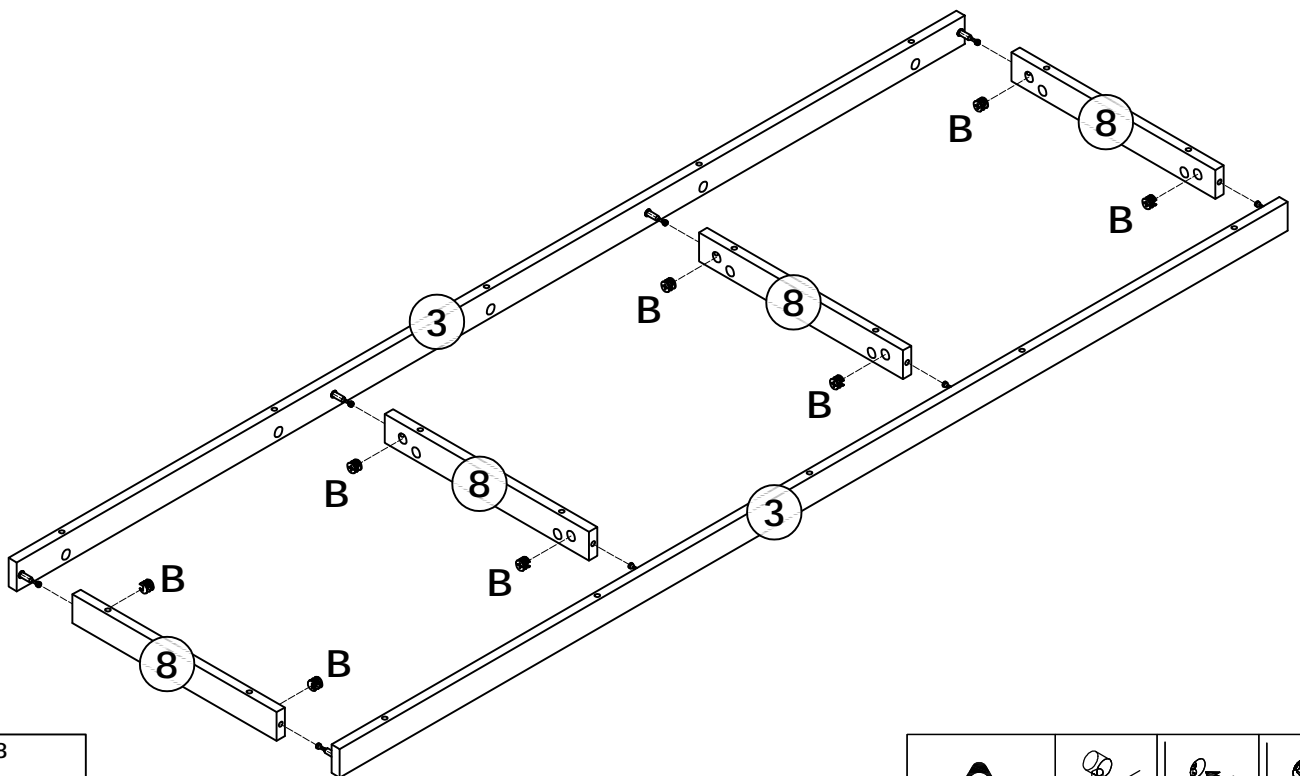
Ø15\*10mm



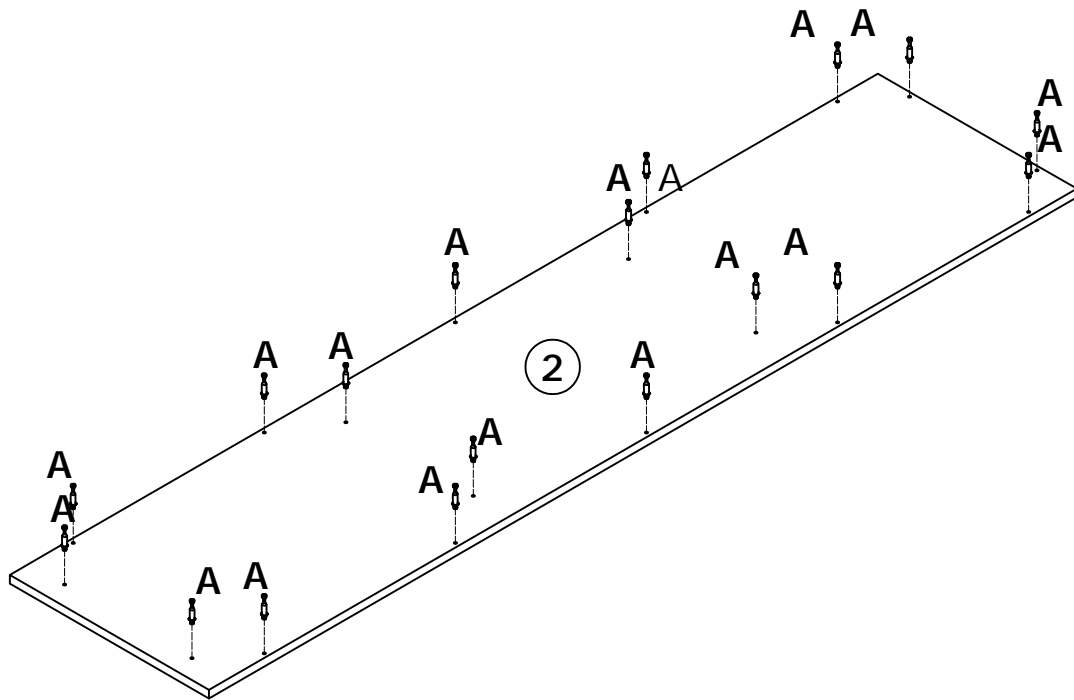
### Step 13 Install part (A) on panel (3) × 2



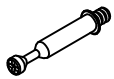
### Step 14 Connect panels (3) × 2 with panels (8) × 4, and secure them with part (B)



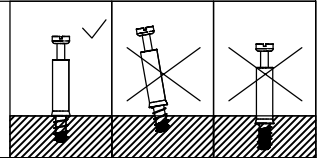
## Step 15 Install parts (A) on panel (2)



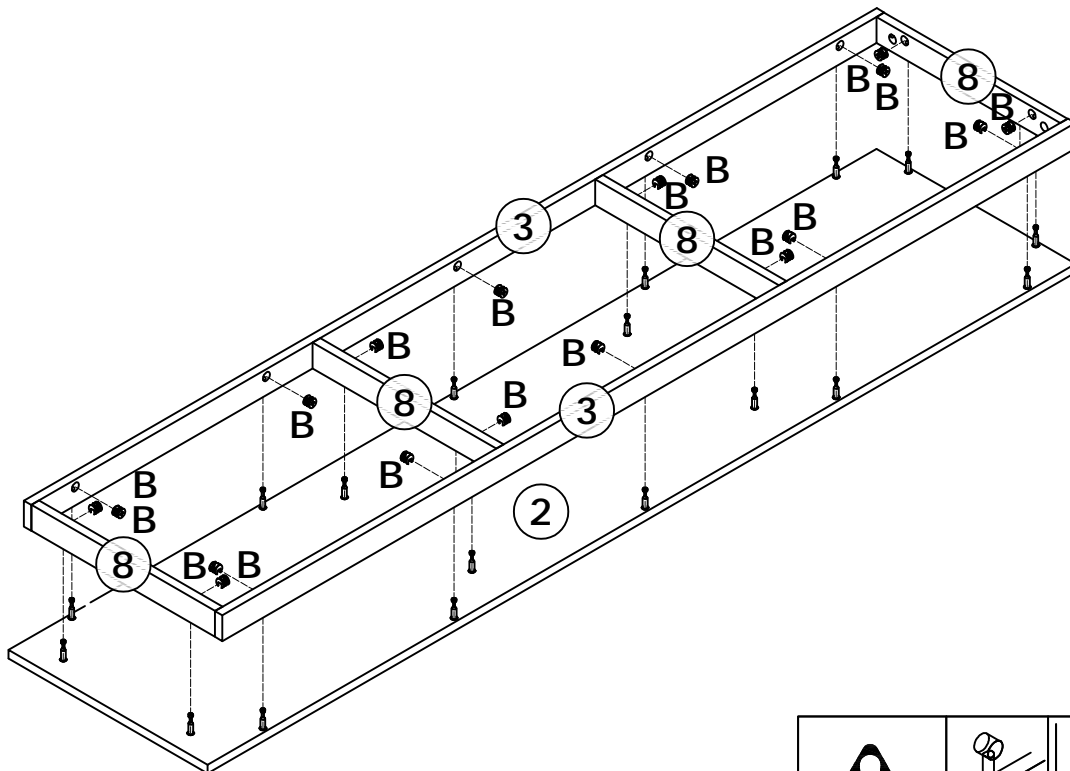
A x 18



M6\*35mm



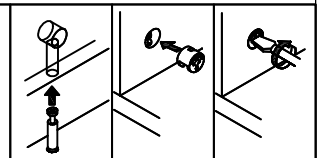
## Step 16 Connect panels (3) x 2 and panels (8) x 4 to panel (2), and secure them with part (B)



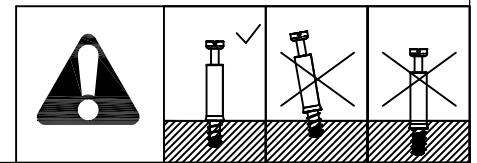
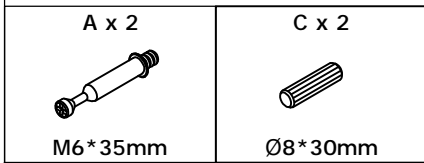
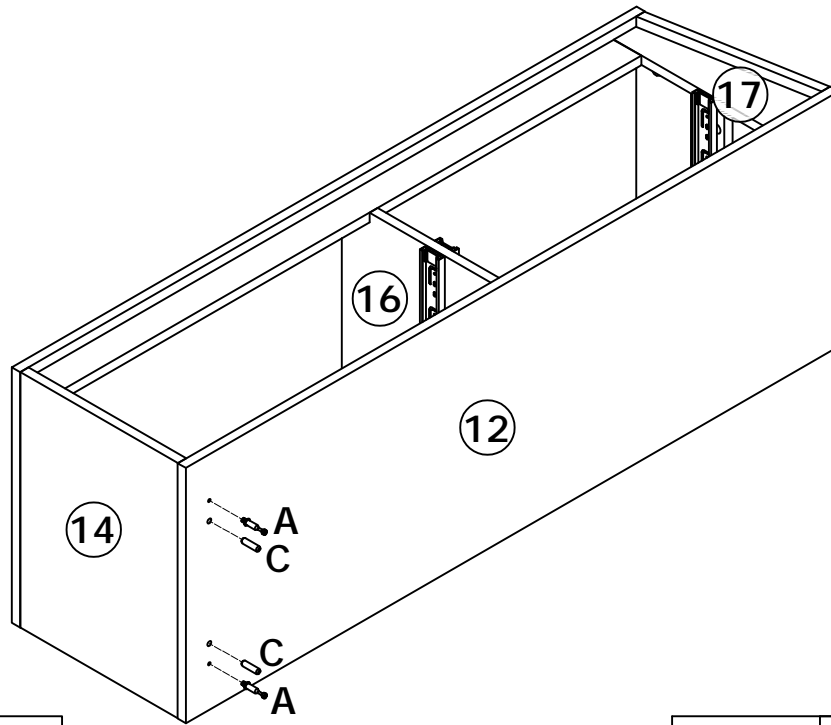
B x 18



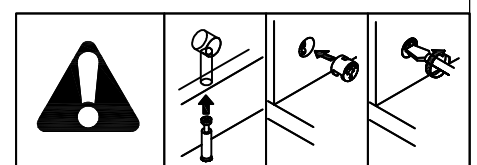
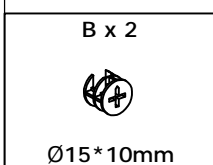
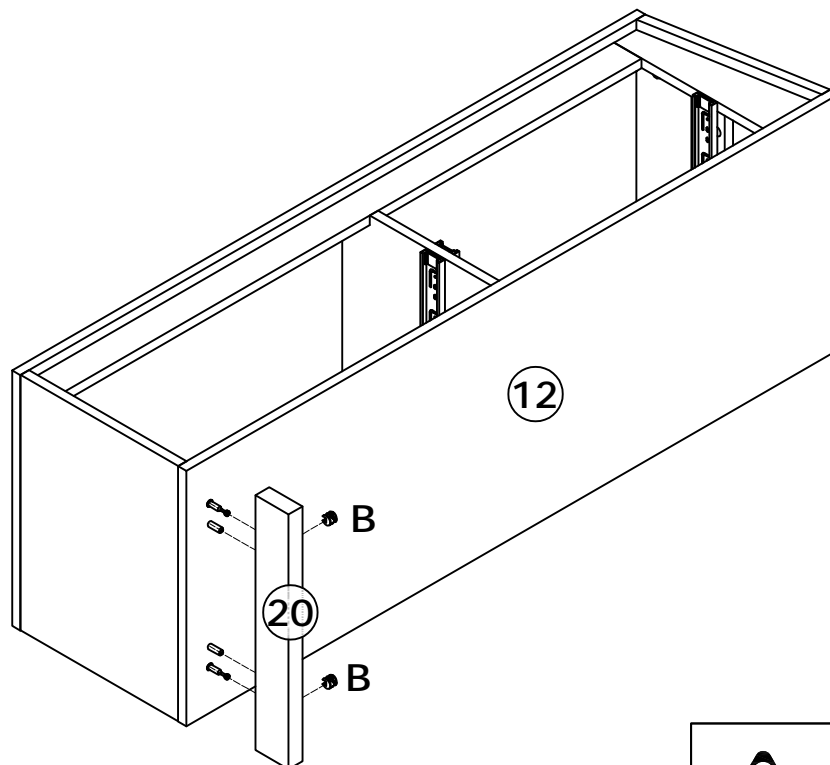
Ø15\*10mm



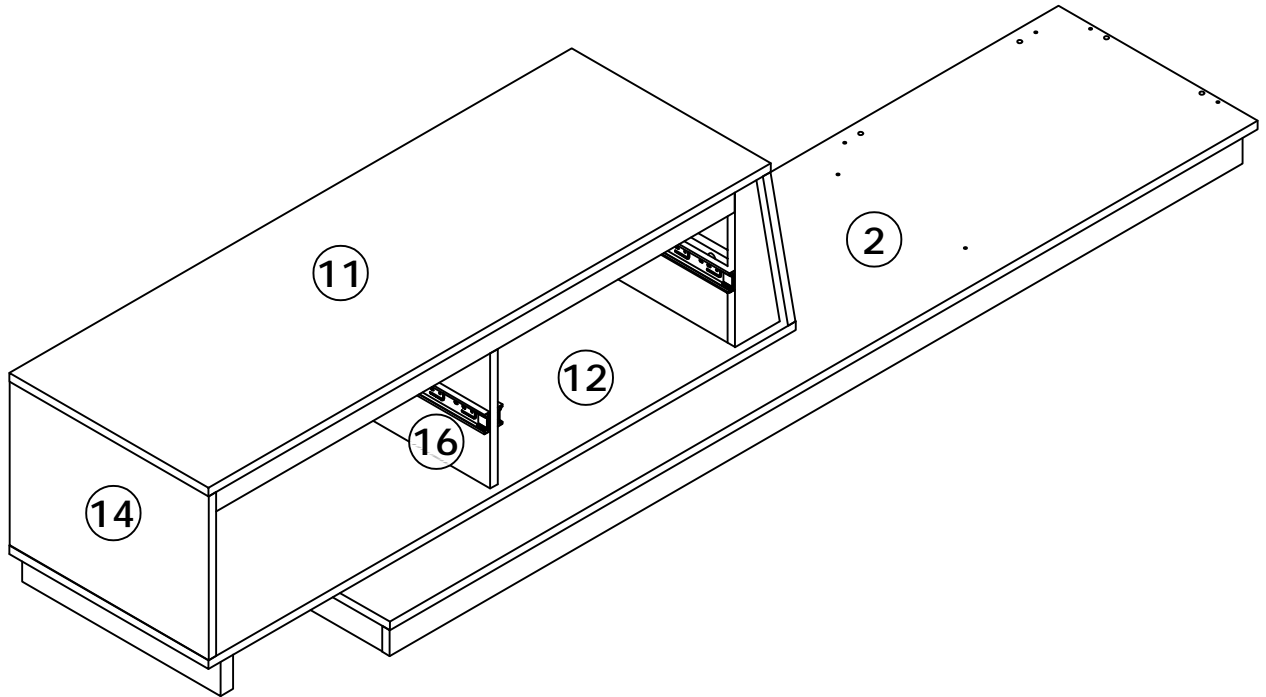
- Step 17** 1. Rotate the assembly completed in Step 12 as shown  
 2. Install parts (A) and (C) on the underside of panel (12)



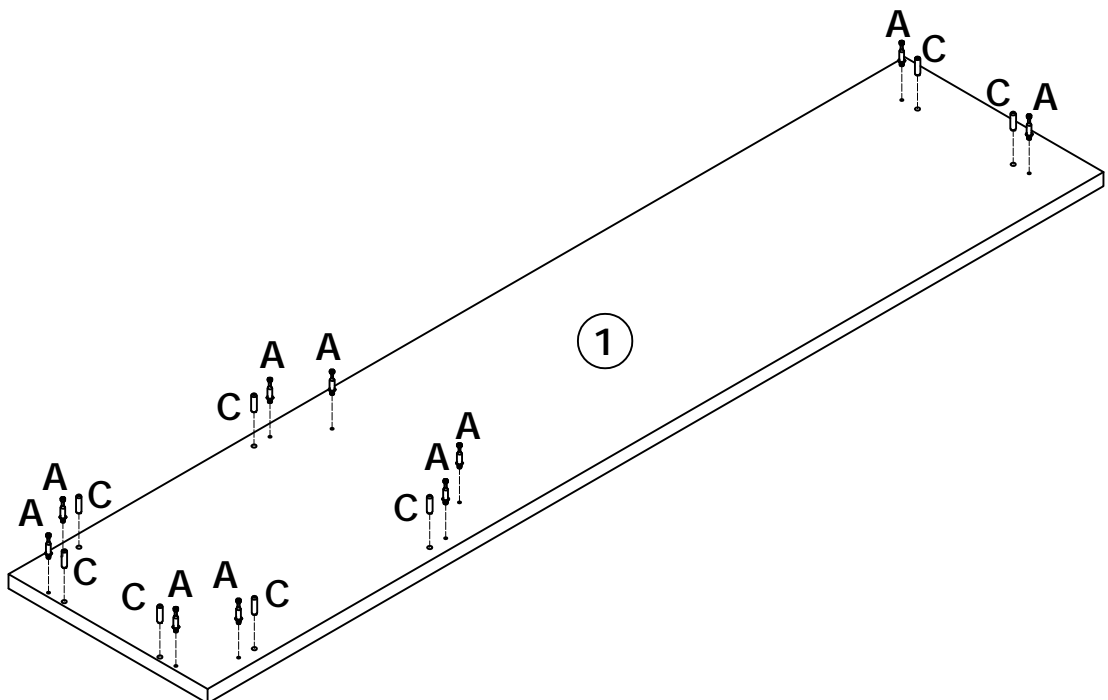
- Step 18** Connect panel (20) to panel (12), and secure them with part (B)



**Step 19** Place the assembly from Step 18 onto the panel (2) assembly completed in Step 16



**Step 20** Install parts (A) and (C) on panel (1)



A x 10

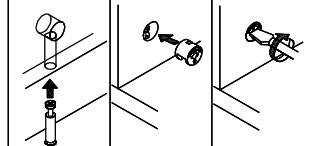
C x 8



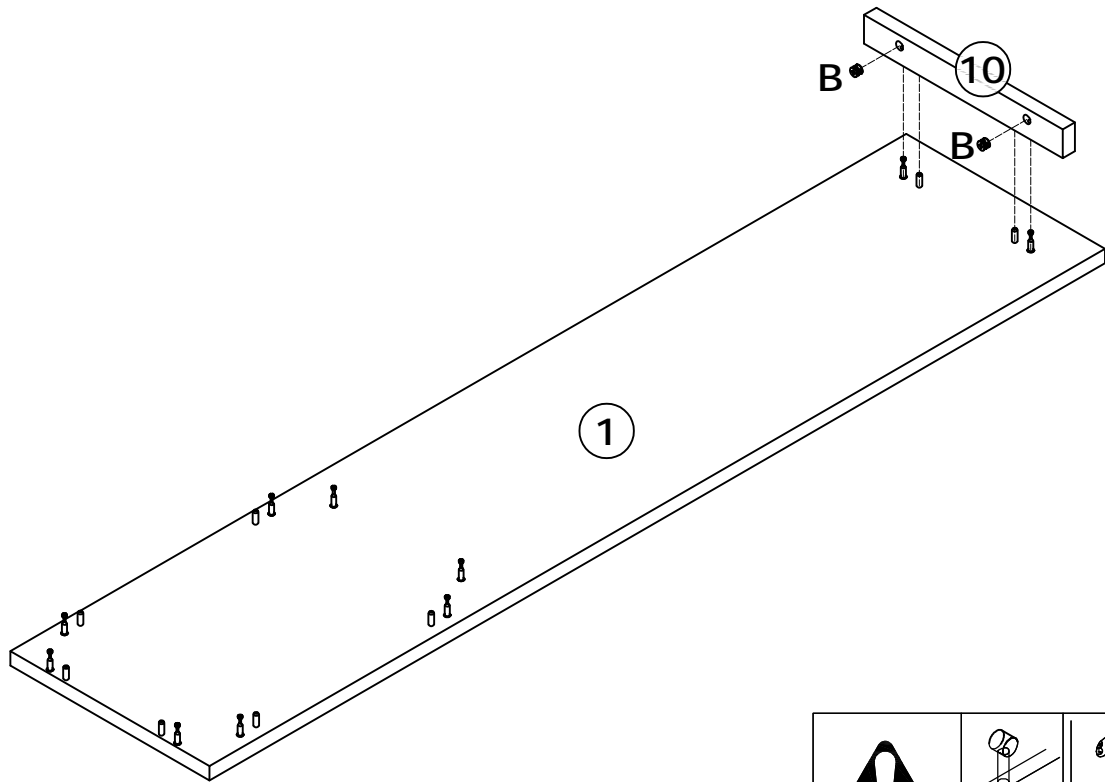
M6\*35mm

Ø8\*30mm

Page 16



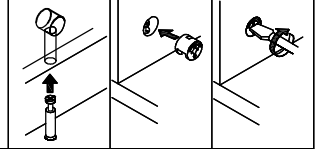
**Step 21** Connect panel (10) to panel (1), and secure them with part (B)



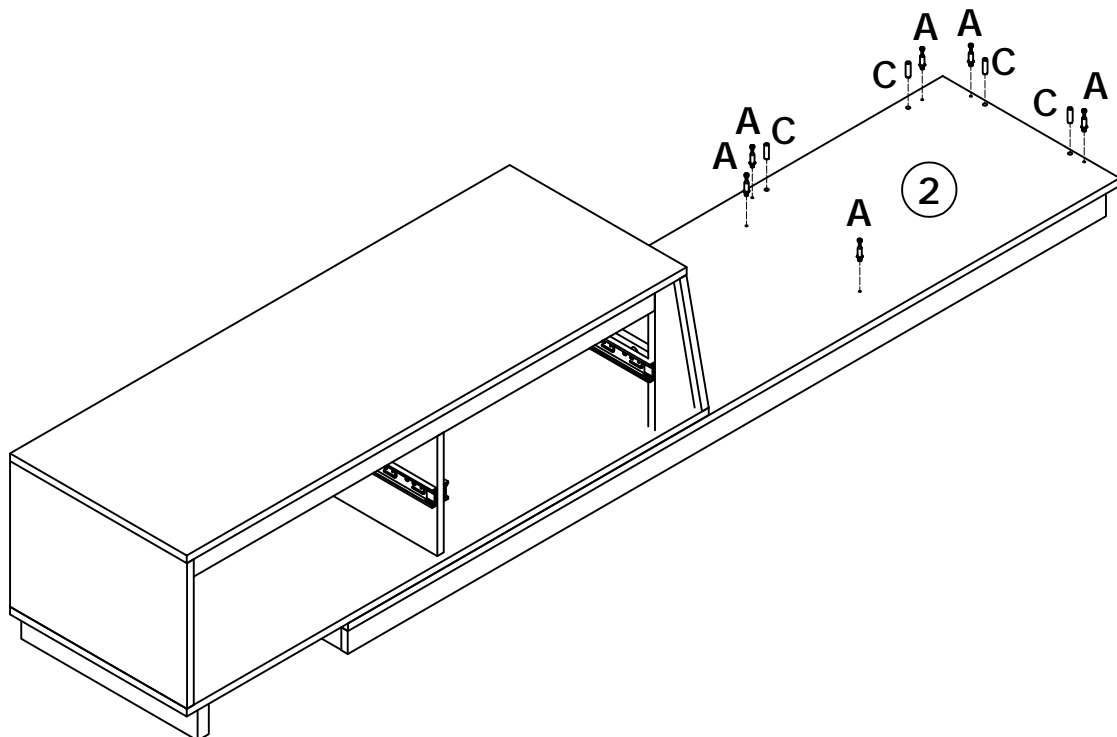
B x 2



Ø15\*10mm



**Step 22** Install parts (A) and (C) on panel (2)



A x 6

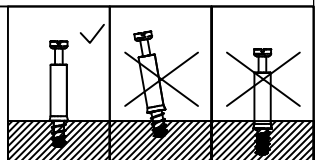


M6\*35mm

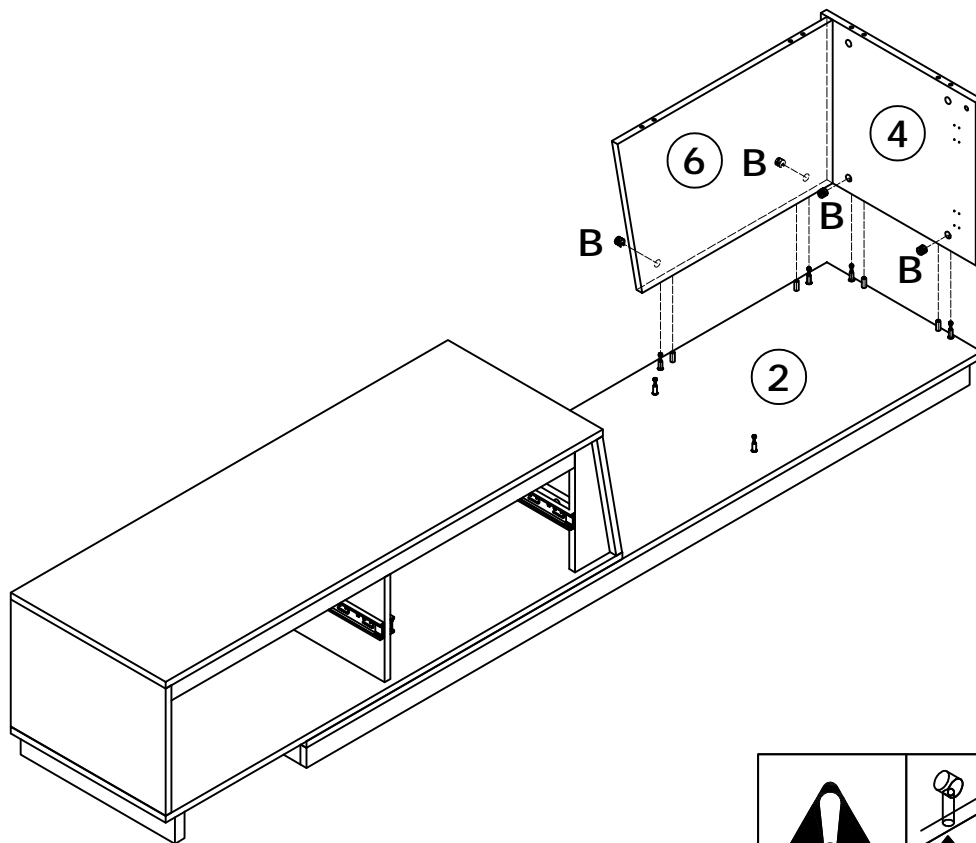
C x 4



Ø8\*30mm

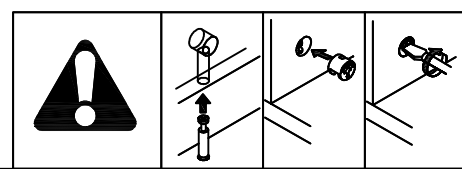


**Step 23** Connect panels (4, 6) to panel (2), and secure them with part (B)

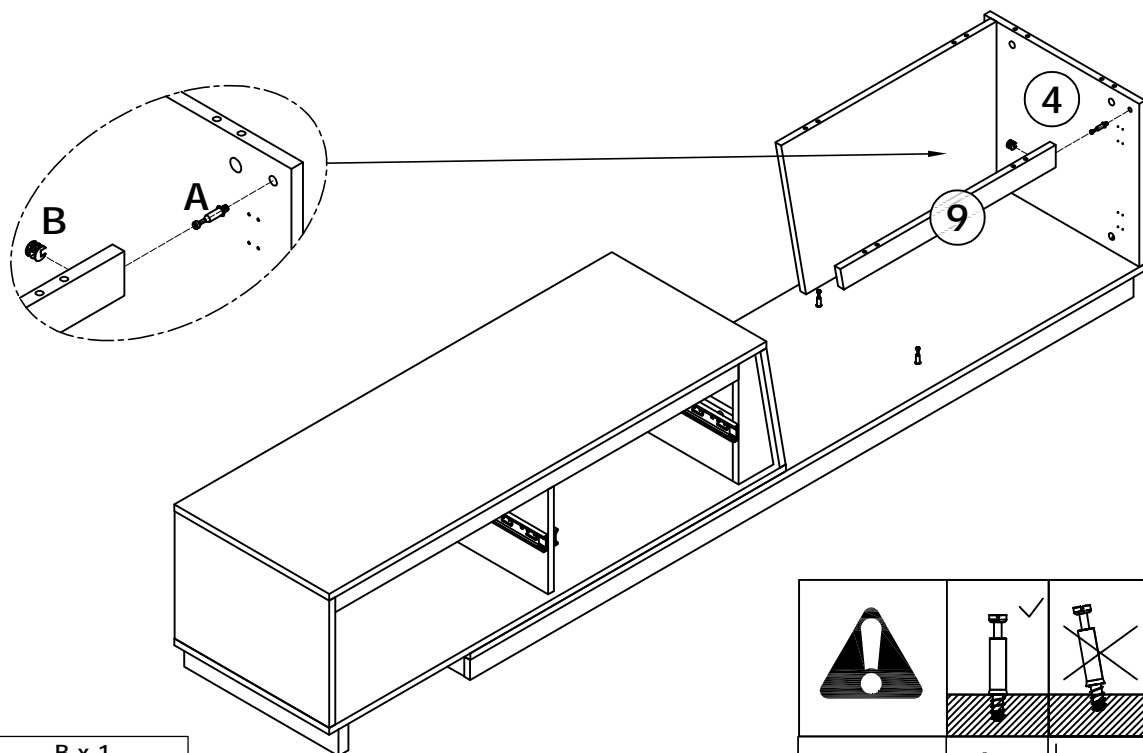


B x 4

Ø15\*10mm



**Step 24** Install part (A) on panel (4), then install panel (9) on panel (4) and secure it with part (B)

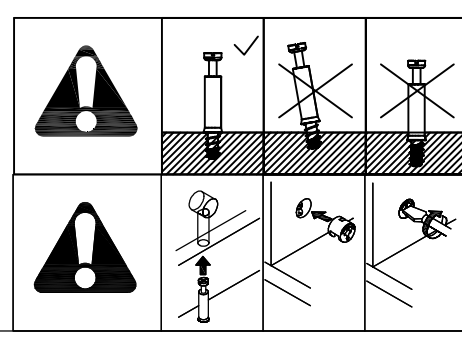


A x 1

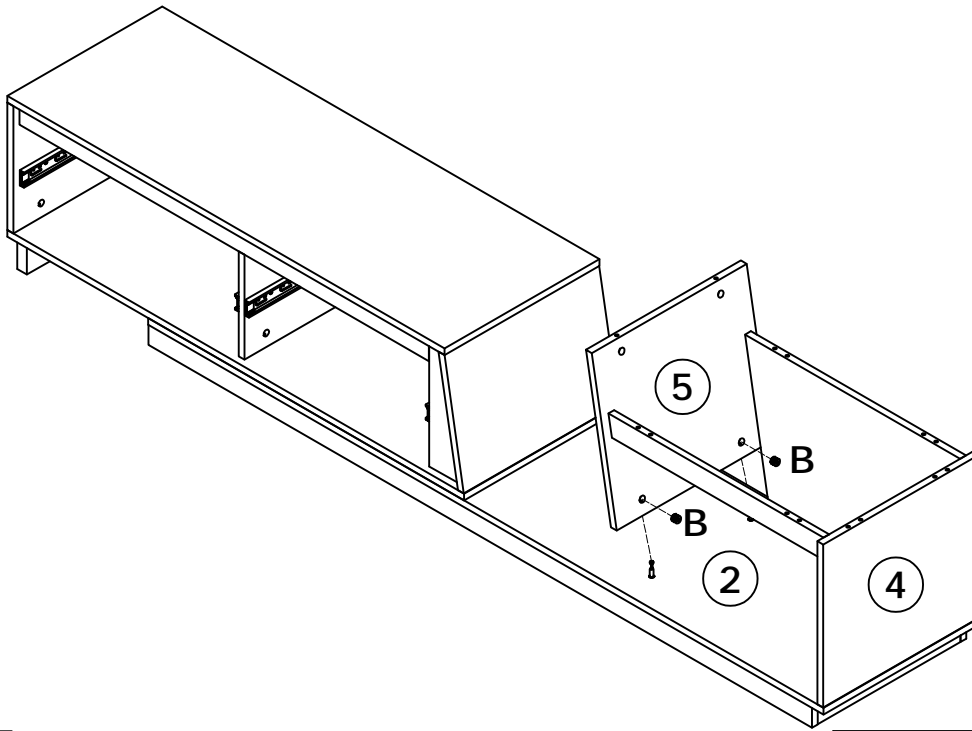
M6\*35mm

B x 1

Ø15\*10mm



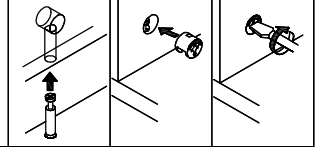
**Step 25** Connect panel (5) to panel (2), and secure them with part (B)



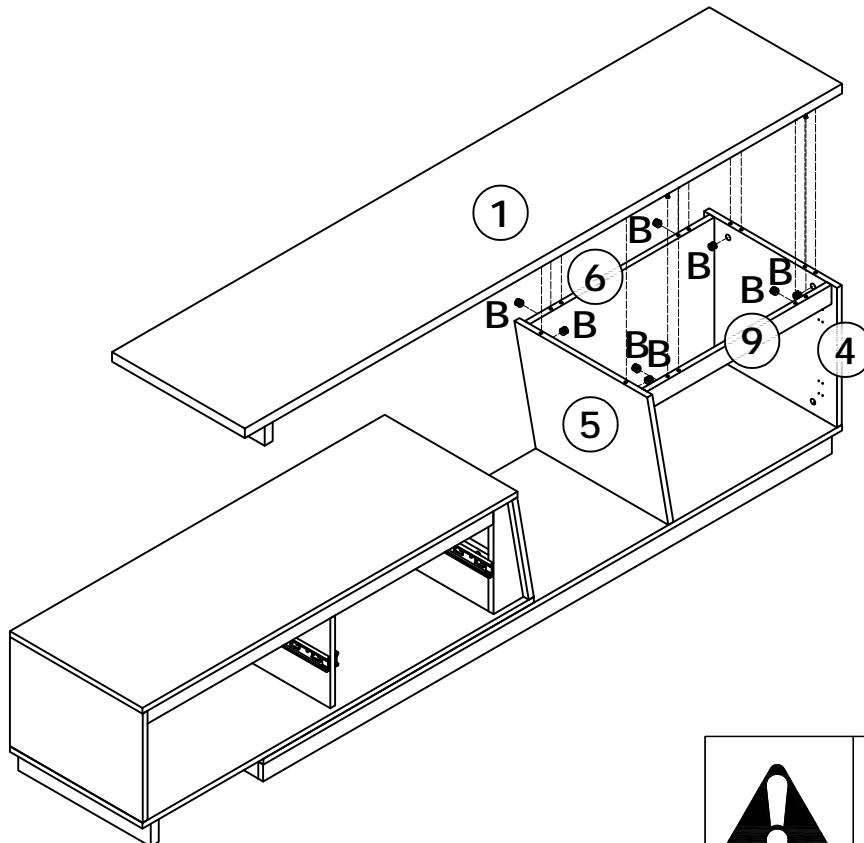
B x 2



Ø15\*10mm



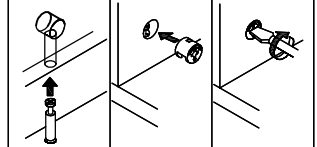
**Step 26** Connect panel (1) to panels (4, 5, 6, 9), and secure them with part (B)



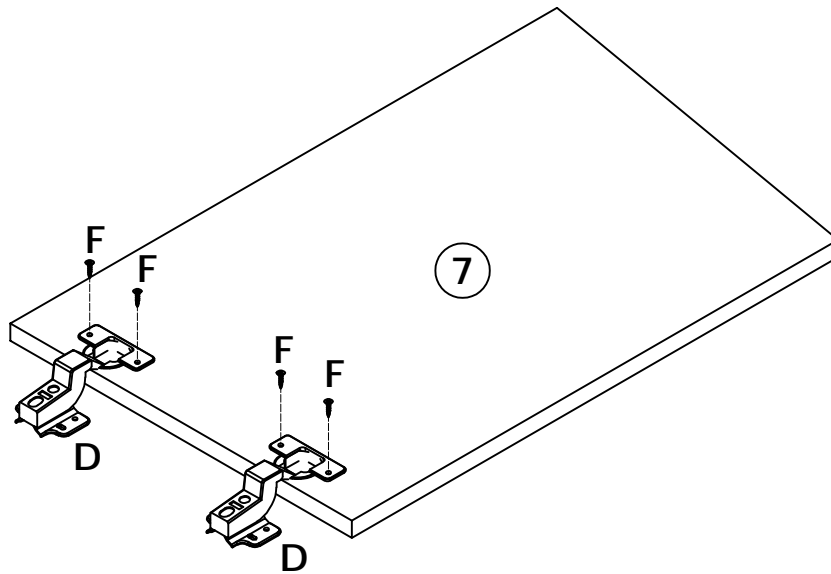
B x 8



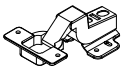
Ø15\*10mm



**Step 27** Install part (D) on panel (7), and secure it with part (F)



D x 2

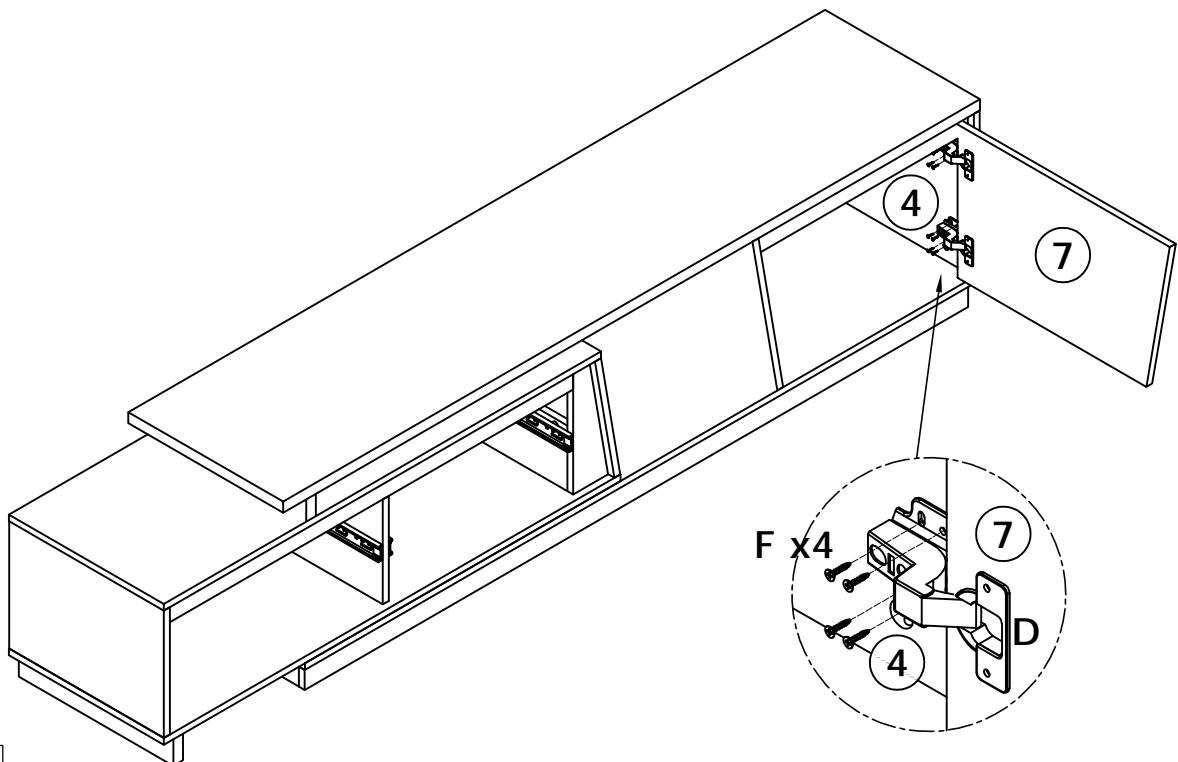


F x 4



Ø3.5\*12mm

**Step 28** Connect panel (7) to panel (4), and secure it with part (F)



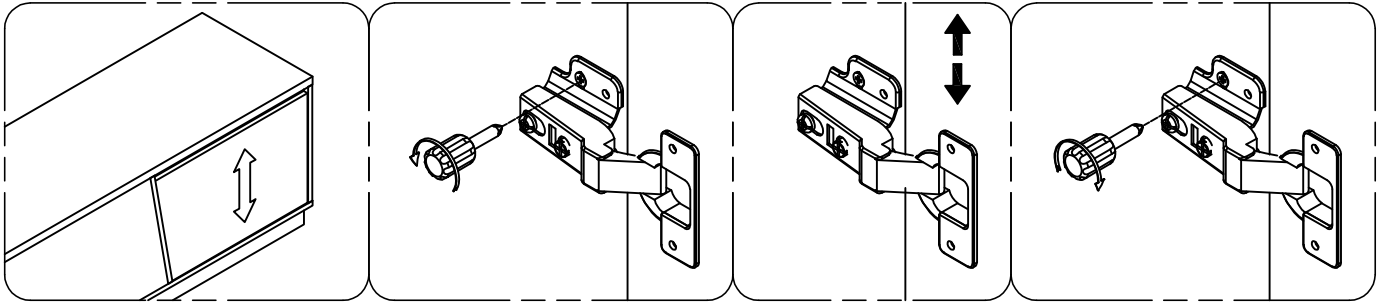
F x 8



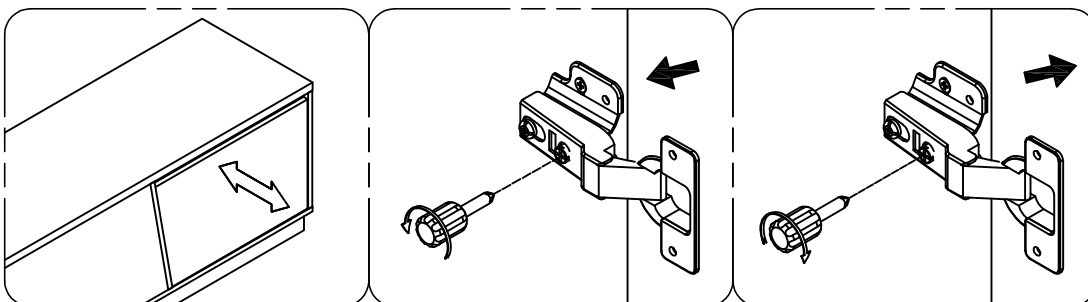
Ø3.5\*12mm

## Step 29 Adjust as needed to ensure proper door alignment

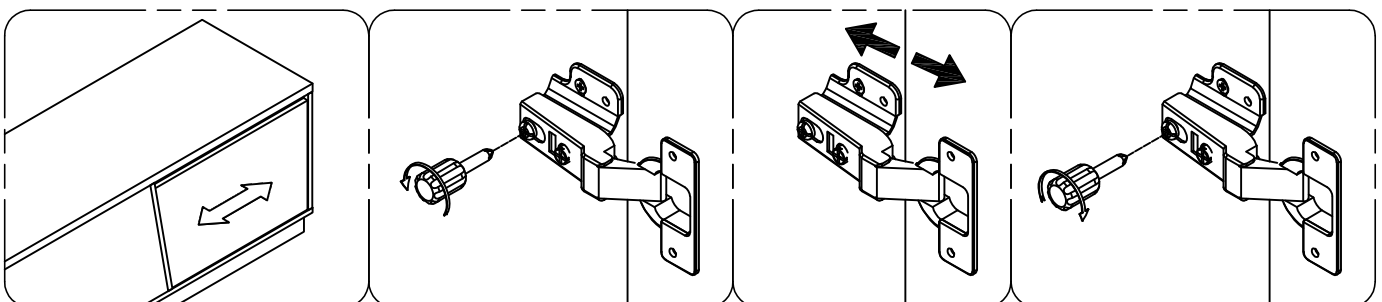
### Up & Down Adjustment



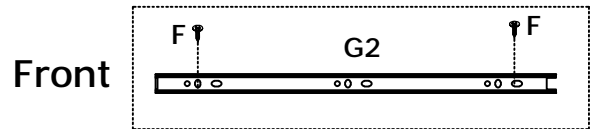
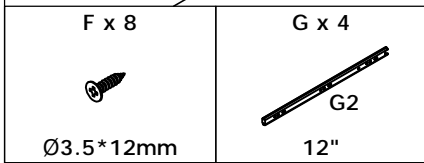
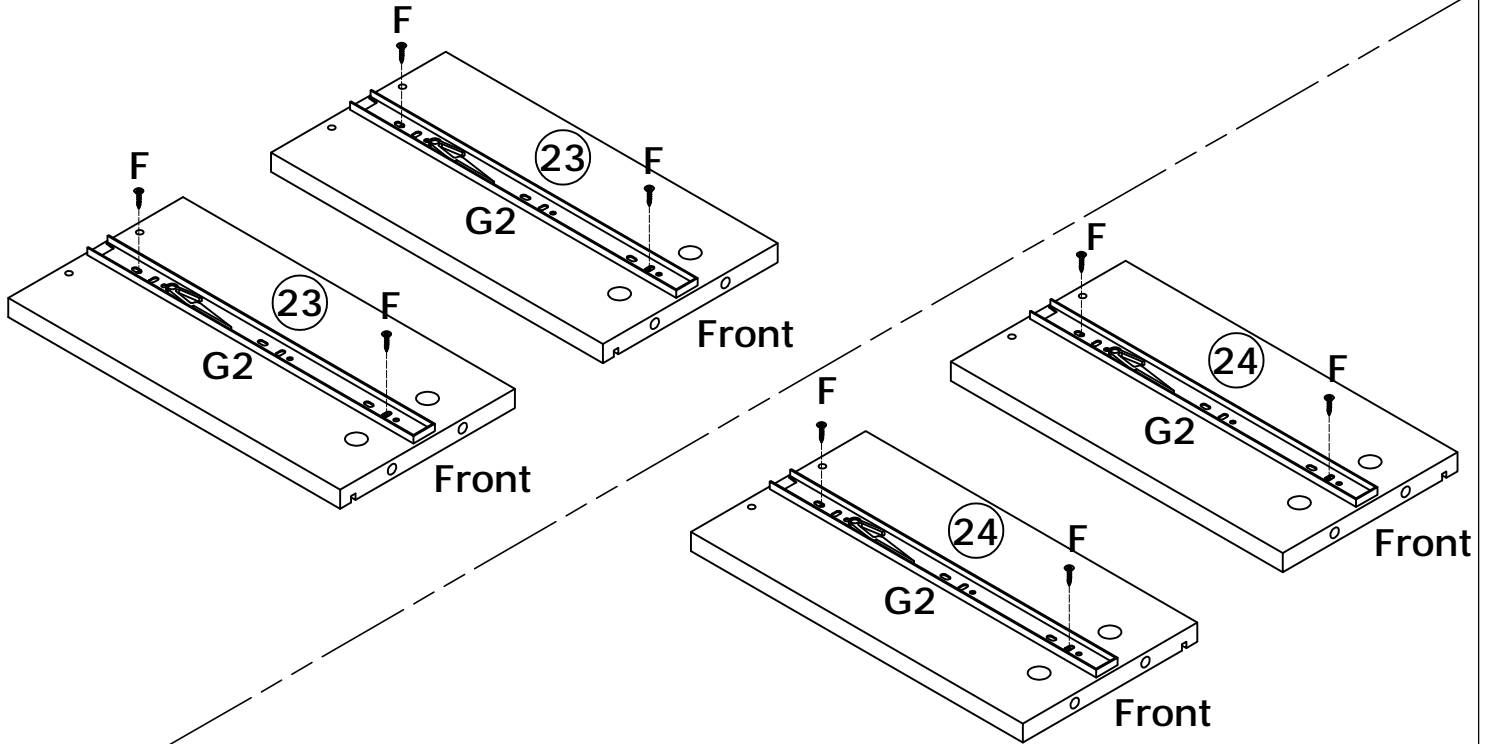
### Left & Right Adjustment



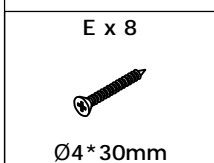
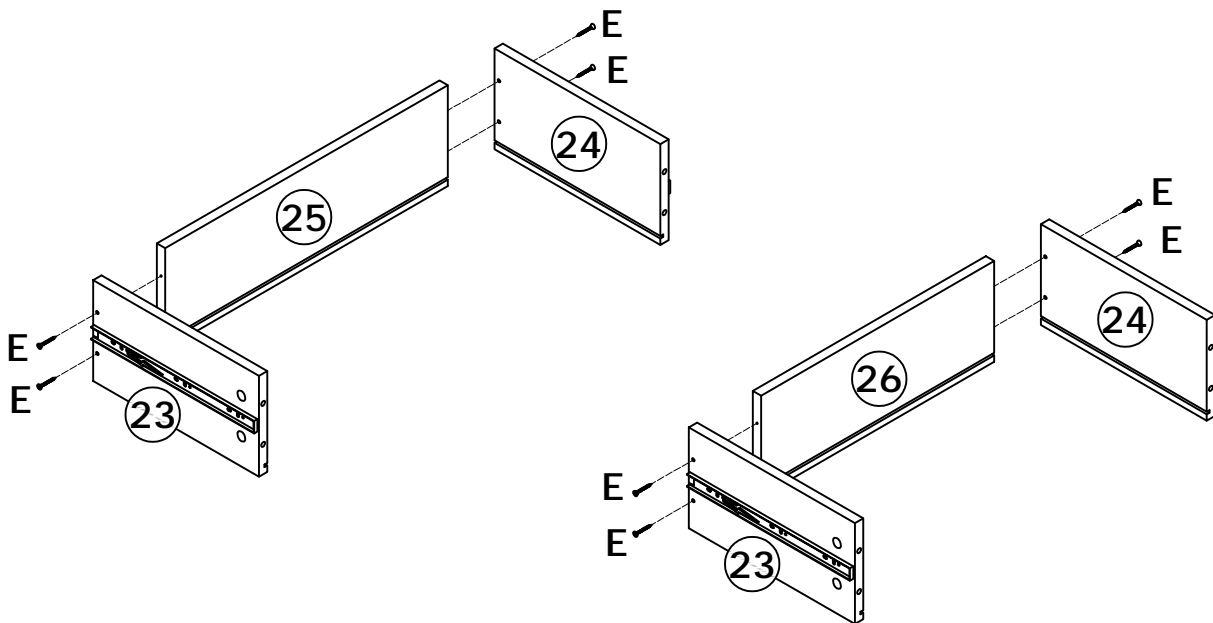
### Forward & Back Adjustment



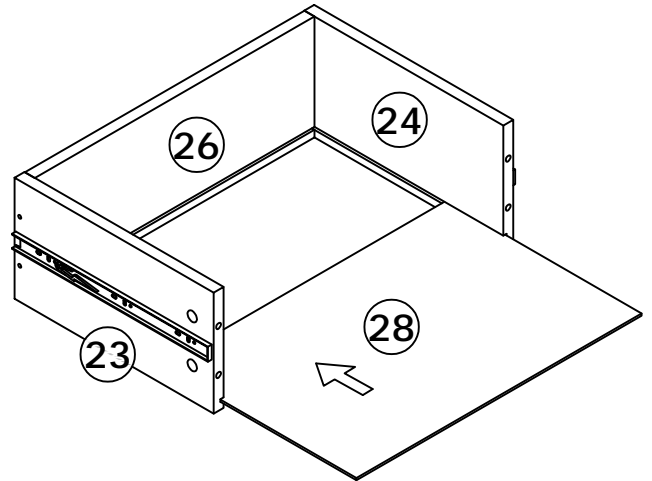
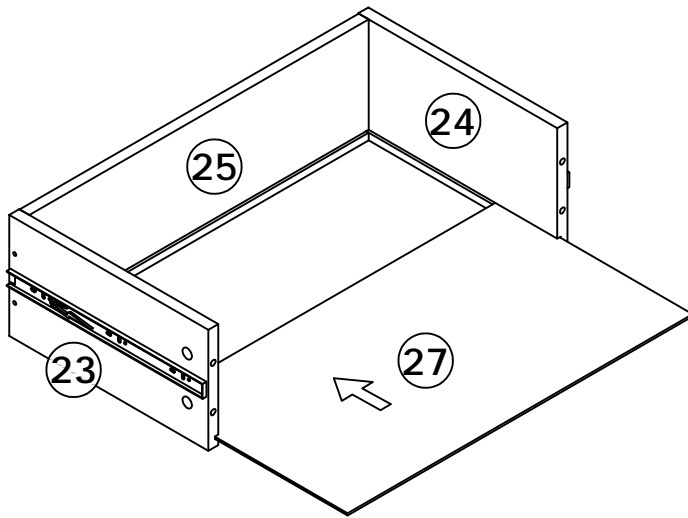
**Step 30** Install part (G2) on panels (23, 24), and secure it with part (F)



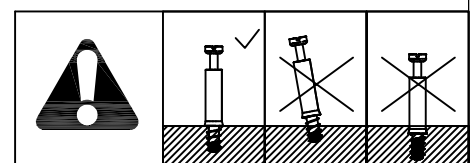
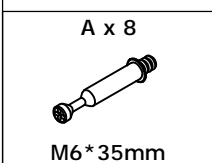
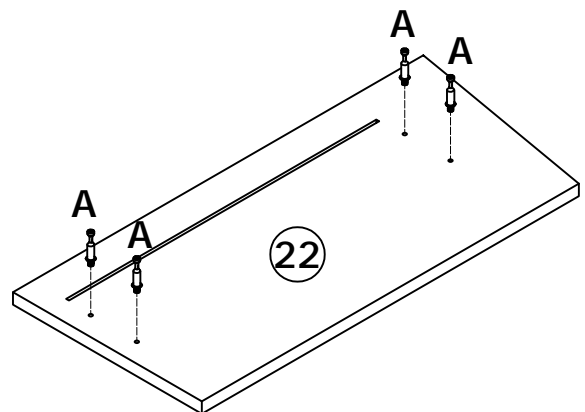
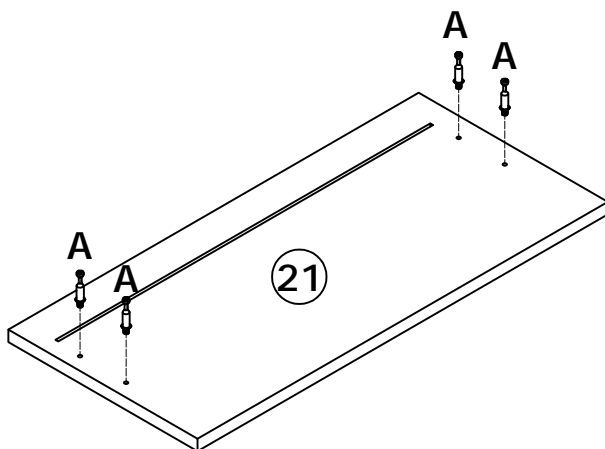
**Step 31** 1. Connect panel (25) to panels (23, 24), and secure them with part (E)  
2. Connect panel (26) to panels (23, 24), and secure them with part (E)



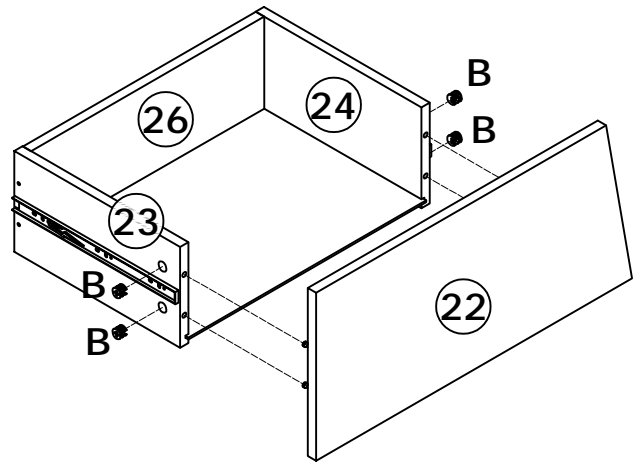
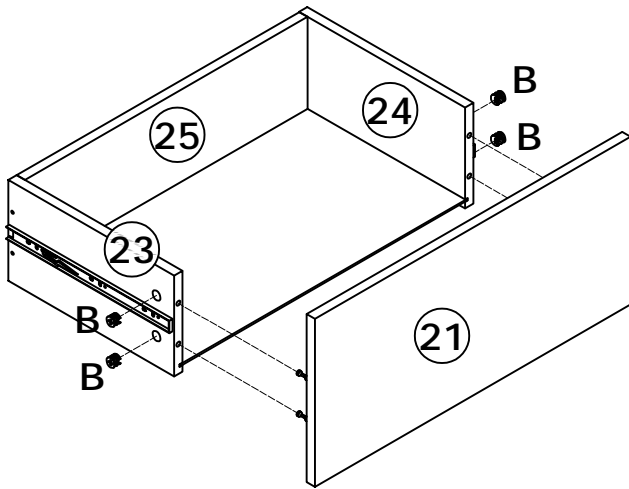
**Step 32** As shown, place panels (27, 28) separately into the assembly completed in Step 31



**Step 33** Install part (A) on panels (21, 22)



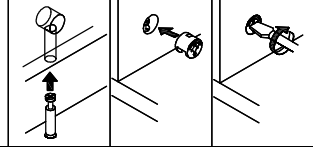
**Step 34** 1. Connect panel (21) to panels (23, 24, 26), and secure them with part (B)  
2. Connect panel (22) to panels (23, 24, 26), and secure them with part (B)



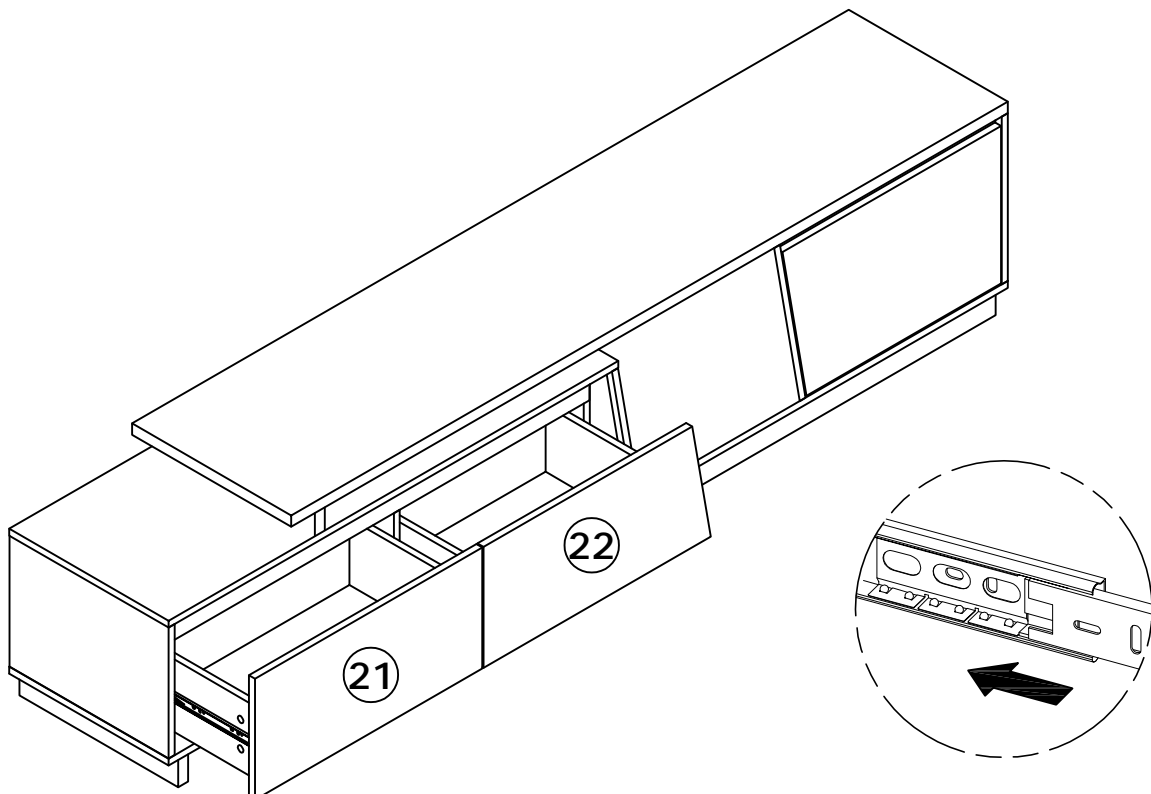
B x 8



Ø15\*10mm

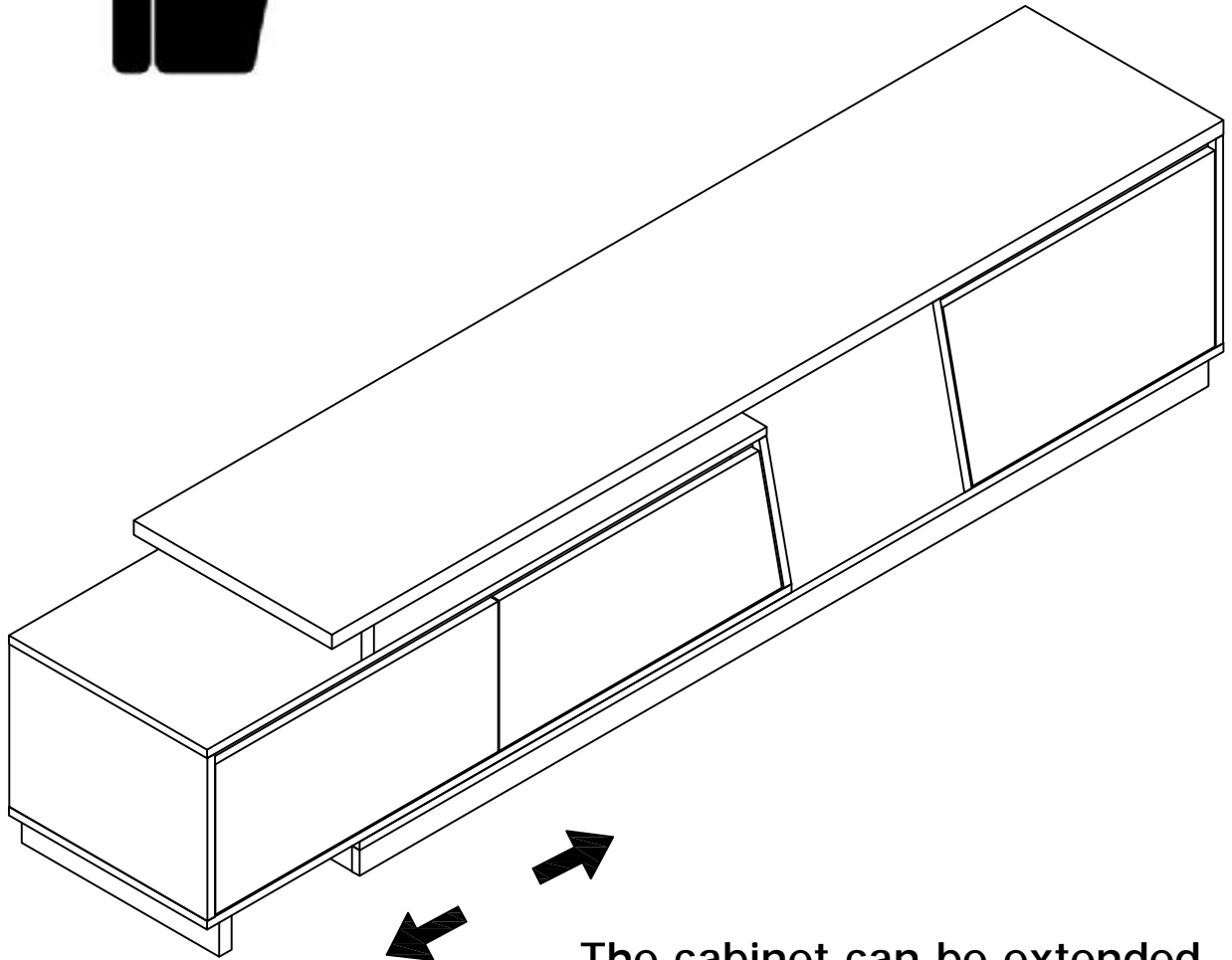


**Step 35** Install the two drawers by connecting slides (G1) and (G2) in order into the TV cabinet



Step 36

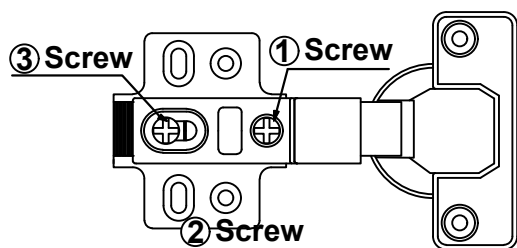
Congratulations — installation is complete! Thank you for your effort!



The cabinet can be extended or retracted as needed

# TV Cabinet Door Hinge Adjustment Guide

## 1. Hinge Structure Overview



- ① Left–Right Adjustment  
(align door gaps)
- ② Up–Down Adjustment  
(level door heights)
- ③ In–Out Adjustment  
(move door closer to or farther from the cabinet)

## 2. Common Issues & Adjustment Methods

### A. One door is higher than the other

What to Do: Use the up/down adjustment screw ② on the hinge base.

Slowly adjust one side at a time until both doors are level.

It's best to make small changes and check frequently.

### B. The gap between the two doors is uneven

What to Do: Turn the left/right adjustment screw ① on the hinge arm to move the door left or right. This helps even out the center gap between the two doors.

### C. The door won't close properly or pops open

What to Do: Use the depth adjustment screw ③ to move the door in or out.

This helps the door close smoothly and stay shut.

## 3. Suggested Adjustment Steps

1. Make sure the cabinet is placed on a level surface to avoid visual misalignment caused by uneven flooring.
2. Adjust the doors one by one—start with height, then fine-tune the gap spacing.
3. After adjustment, gently open and close the doors to ensure they move smoothly without sticking.

## 4. Helpful Tips

1. Use a Phillips screwdriver for easier and more precise adjustments.
2. Adjust both doors together for a more balanced and symmetrical look.
3. If the doors are warped or misaligned beyond hinge adjustment, please check the door panels or cabinet structure first.