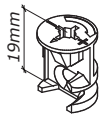


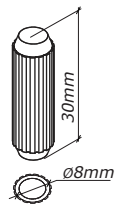
T7
x4



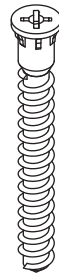
T97
x4



T28
x8



H1
x12



V57
x4



H2
x20



V5
x20



V81
x2



H129
x2



R40
x16



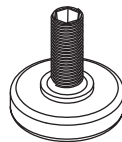
G31
x22



G120
x4



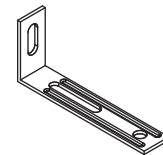
G57
x4



P25
x4



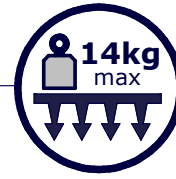
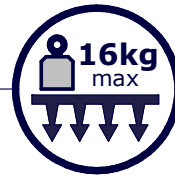
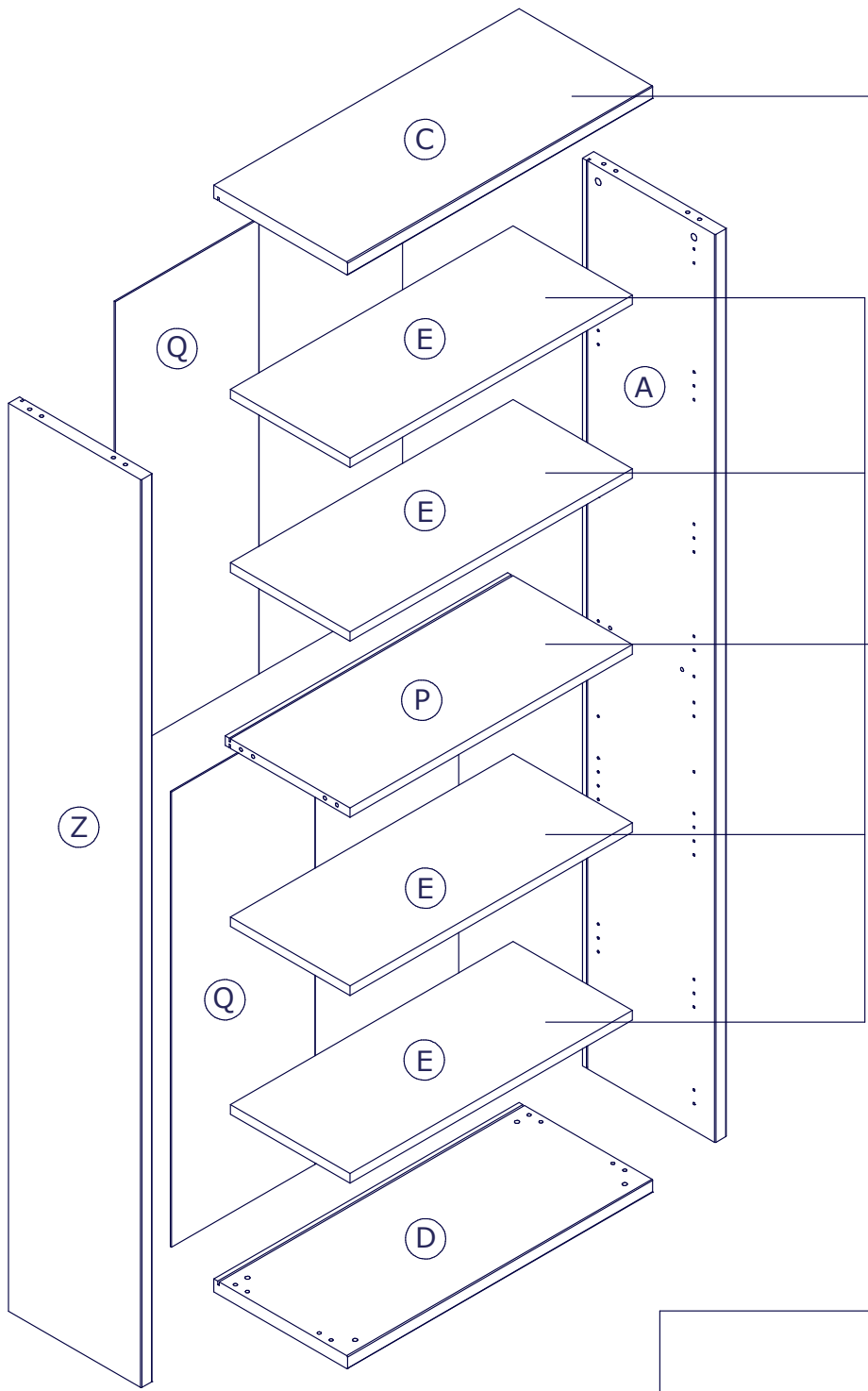
H118
x4



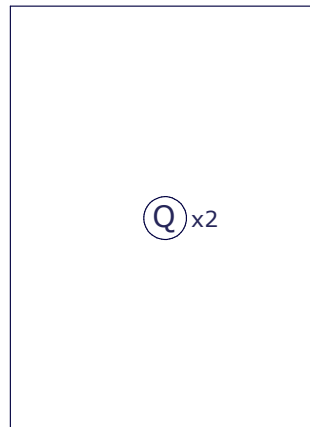
H185
x1



H138
x1



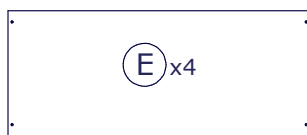
● **PI6559**
755x333x22mm



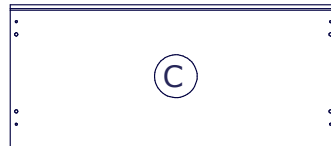
● **SH2855**
1053x768x3mm



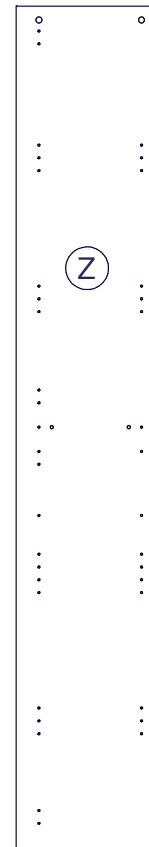
● **BA1889**
816x356x30mm



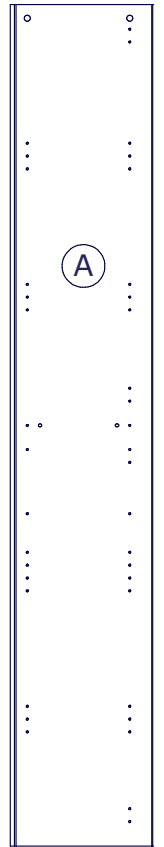
● **PI6558**
755x319x22mm



● **CA3086**
816x356x30mm

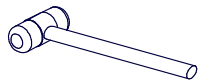


● **FI7556**
2100x355x30mm

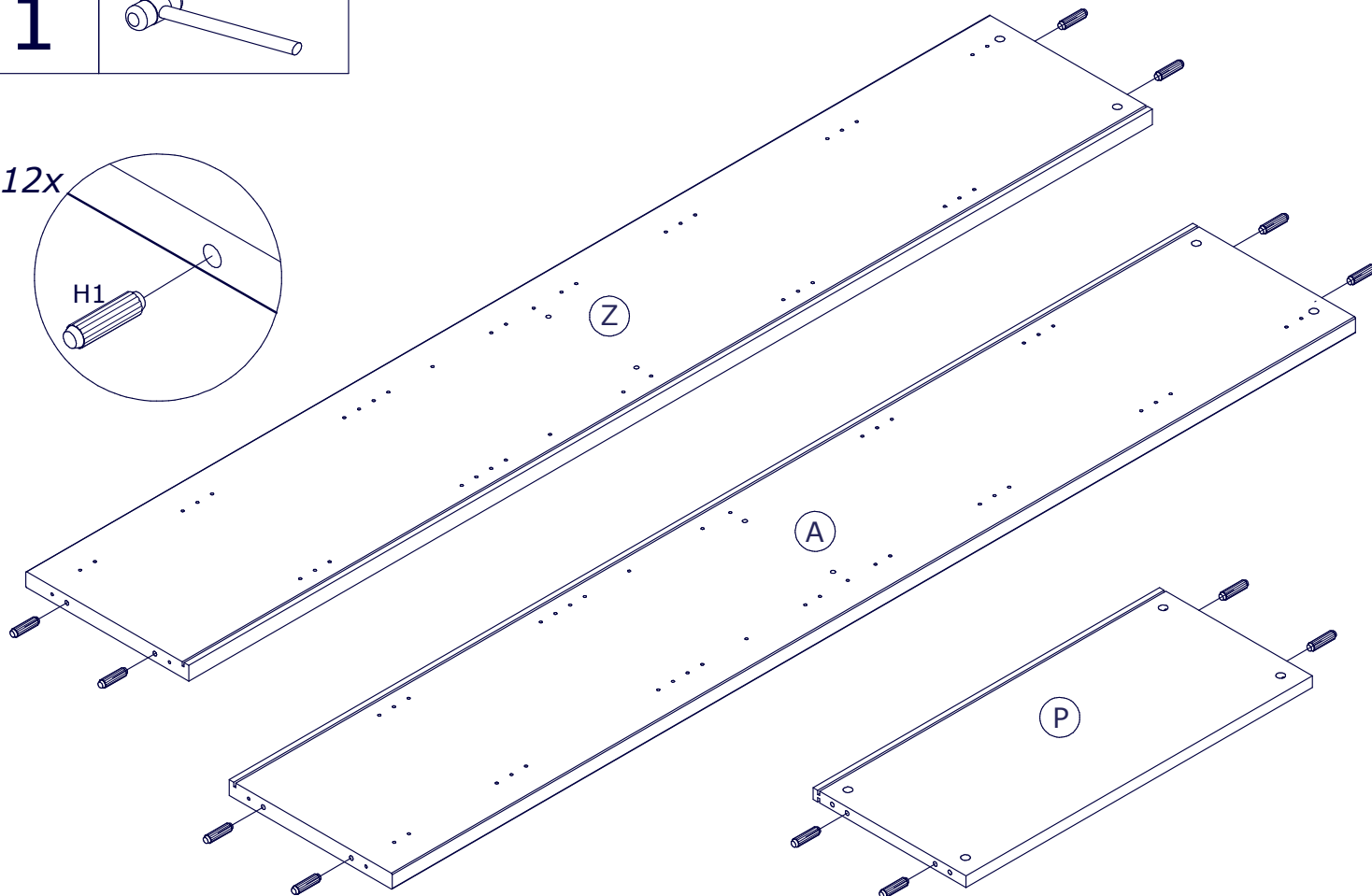
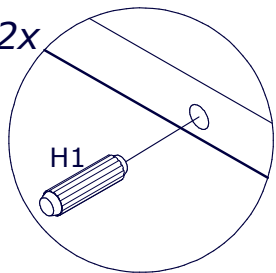


● **FI7554**
2100x355x30mm

1



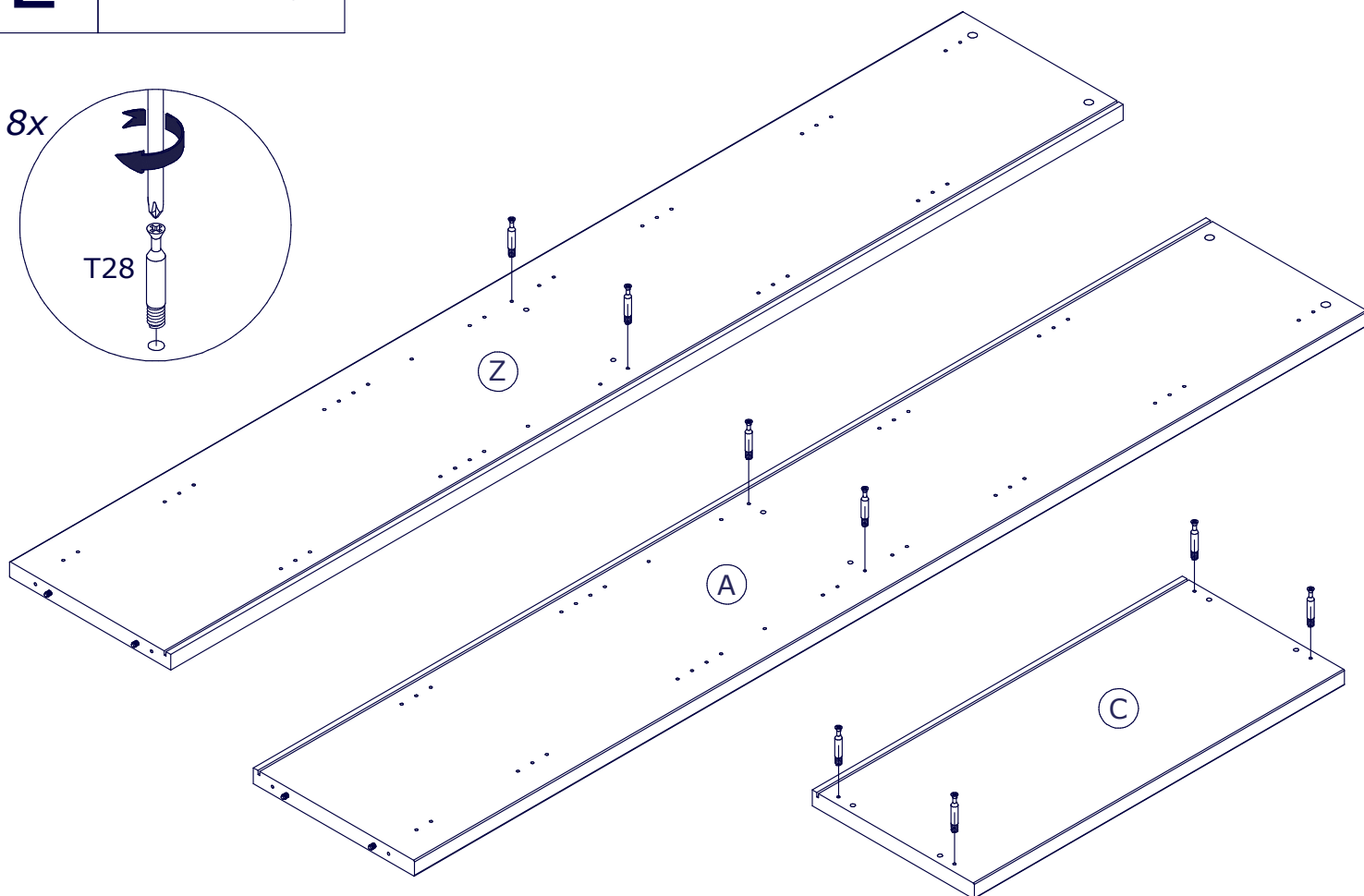
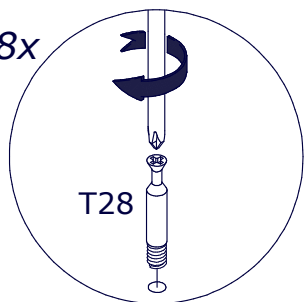
12x



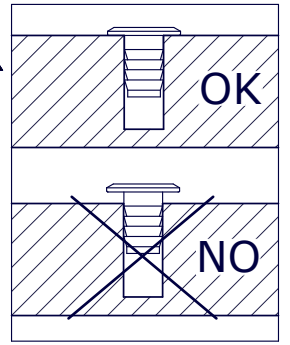
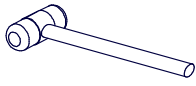
2



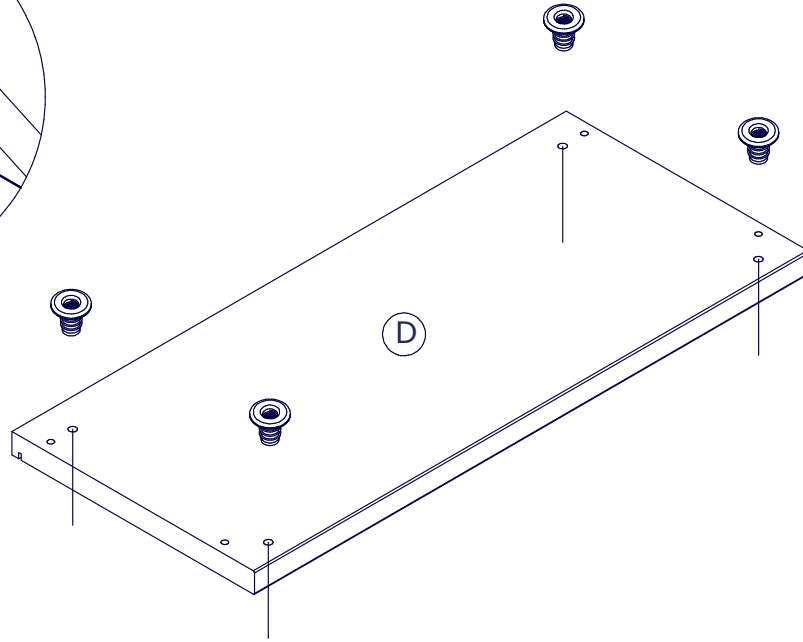
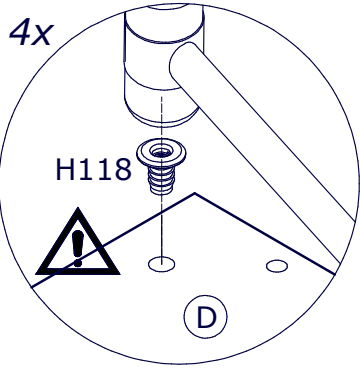
8x



3



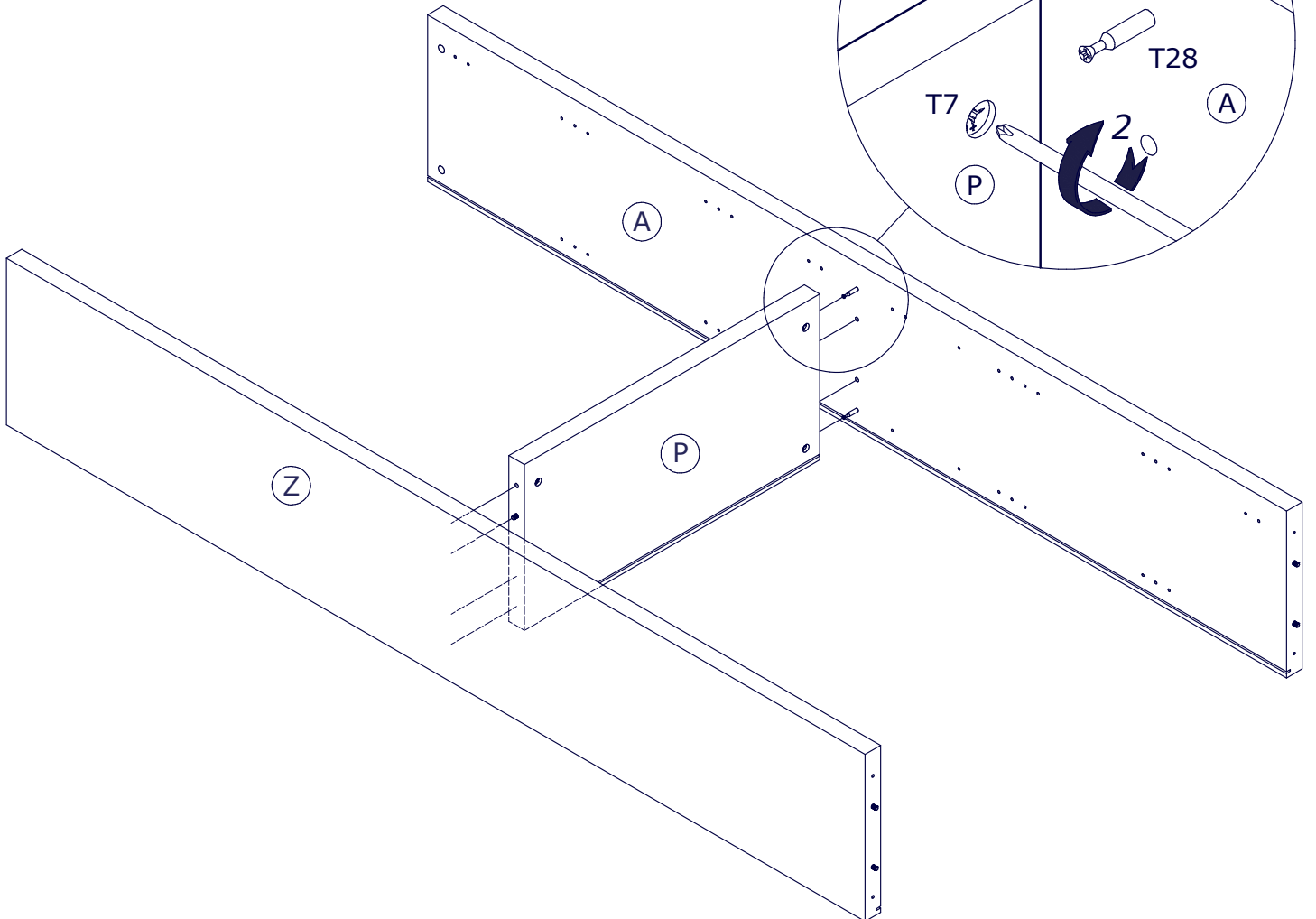
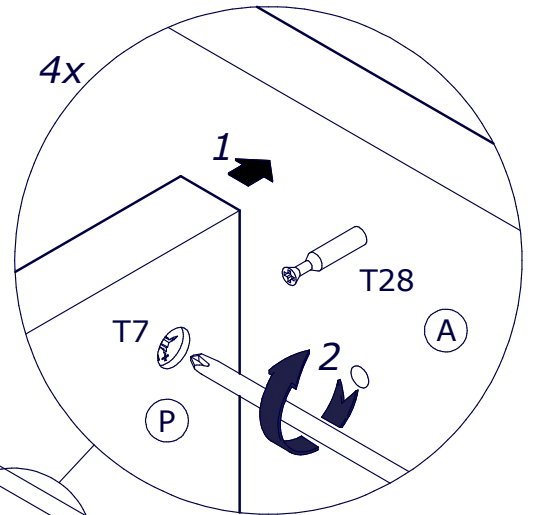
4x



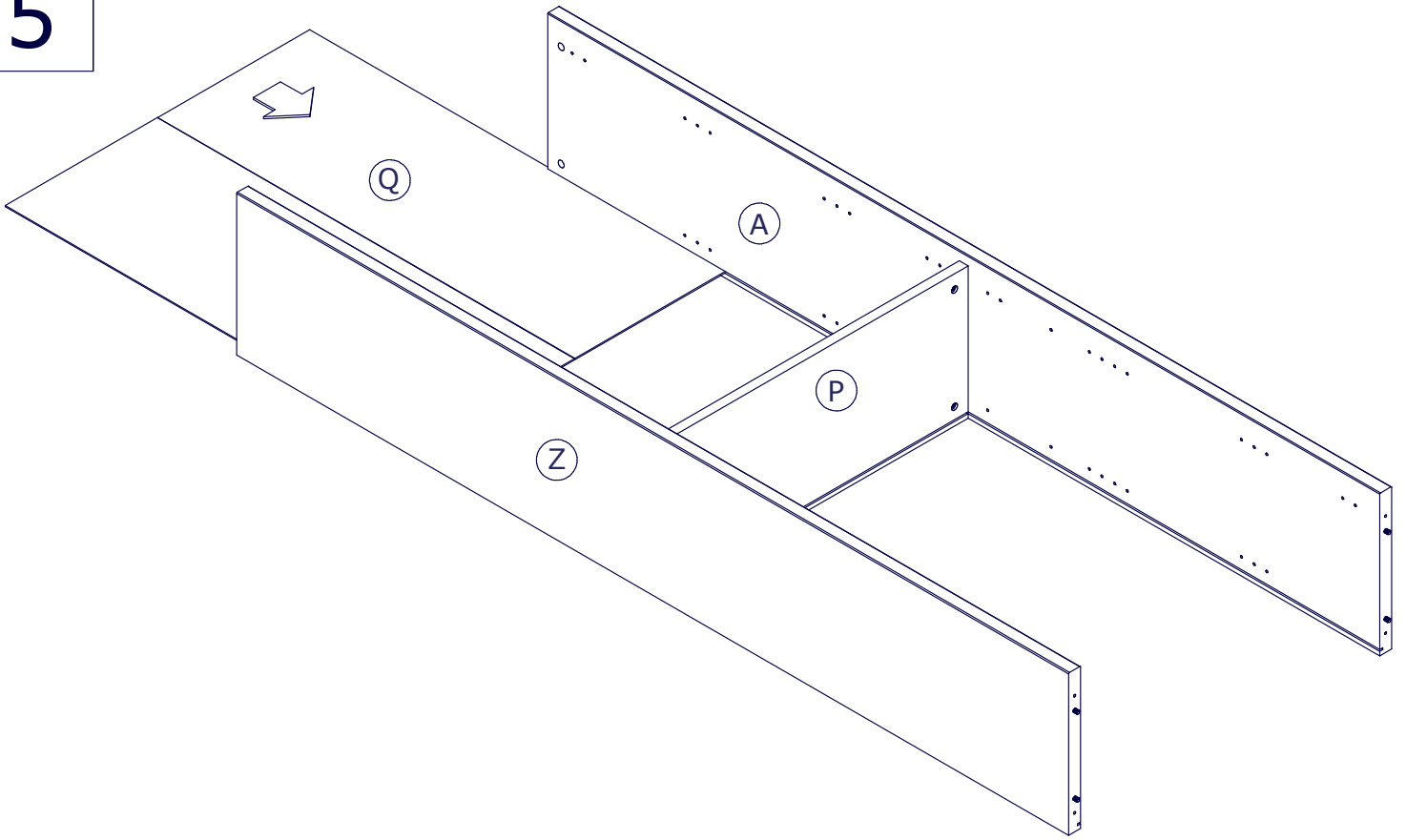
4



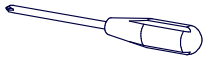
4x



5



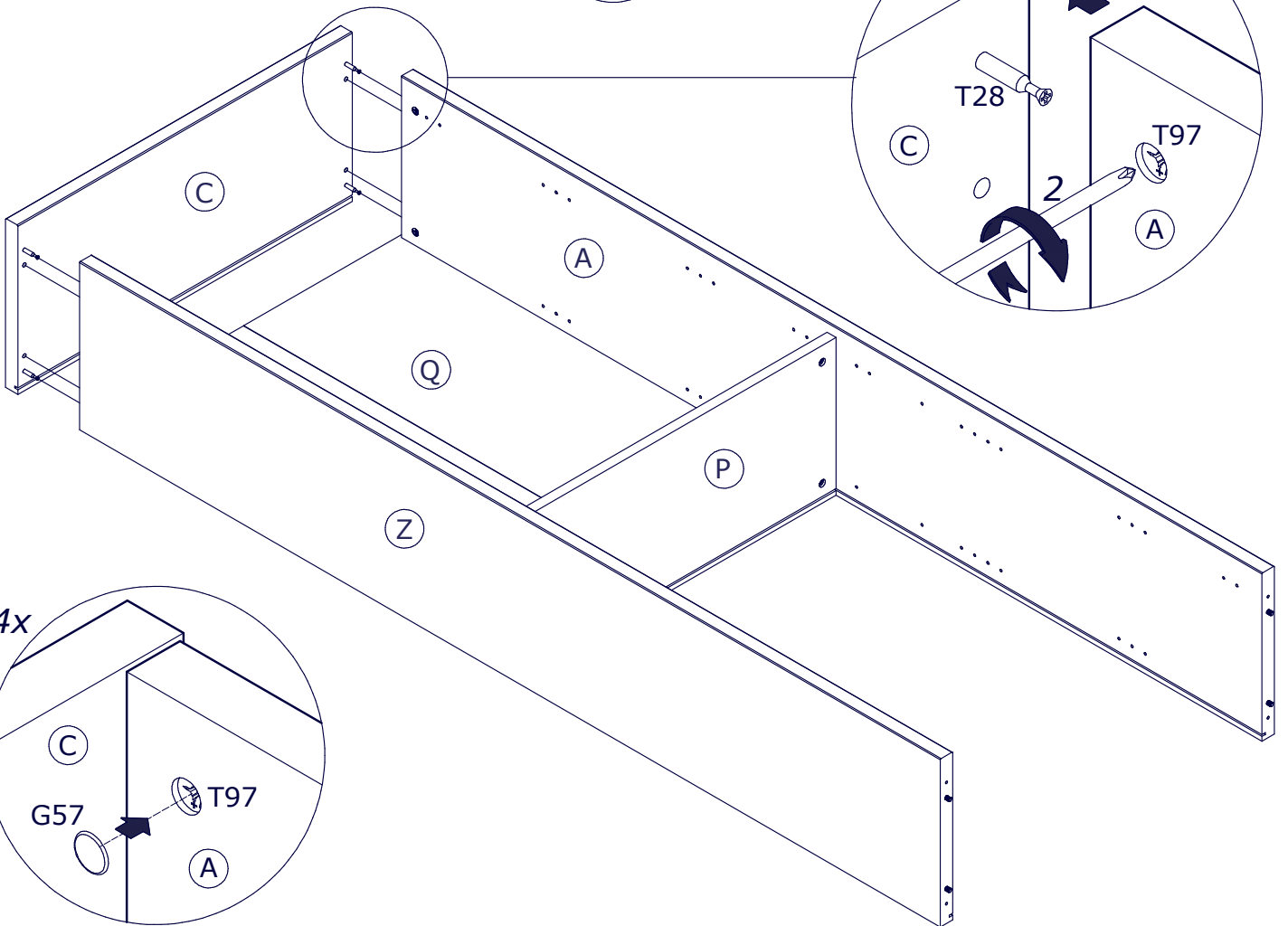
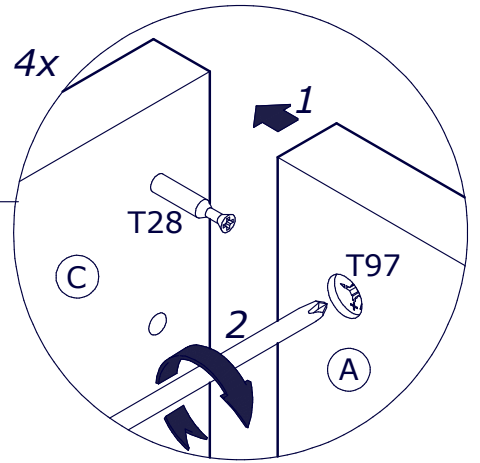
6



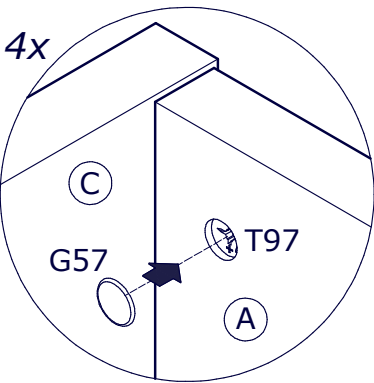
4x G57



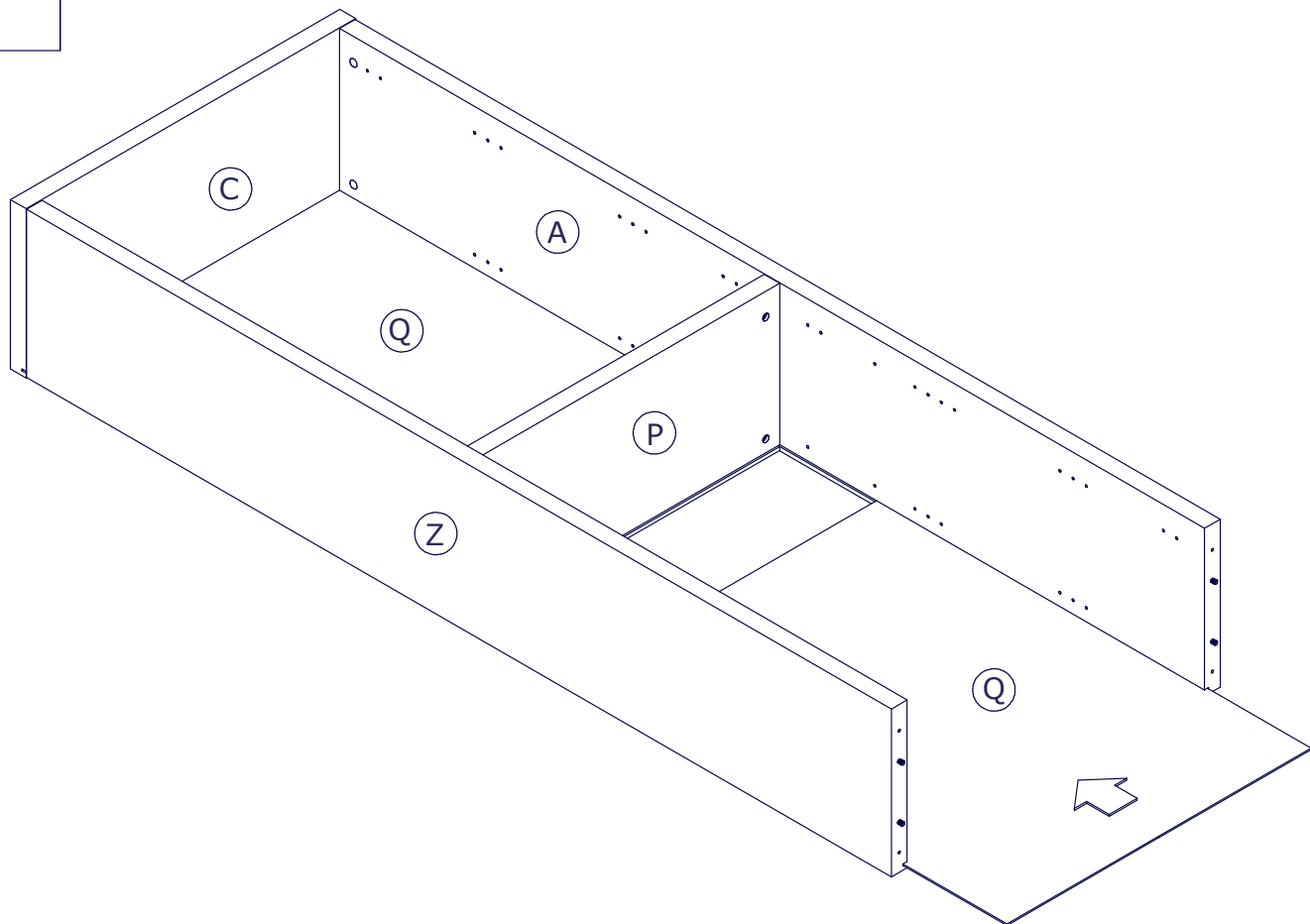
4x



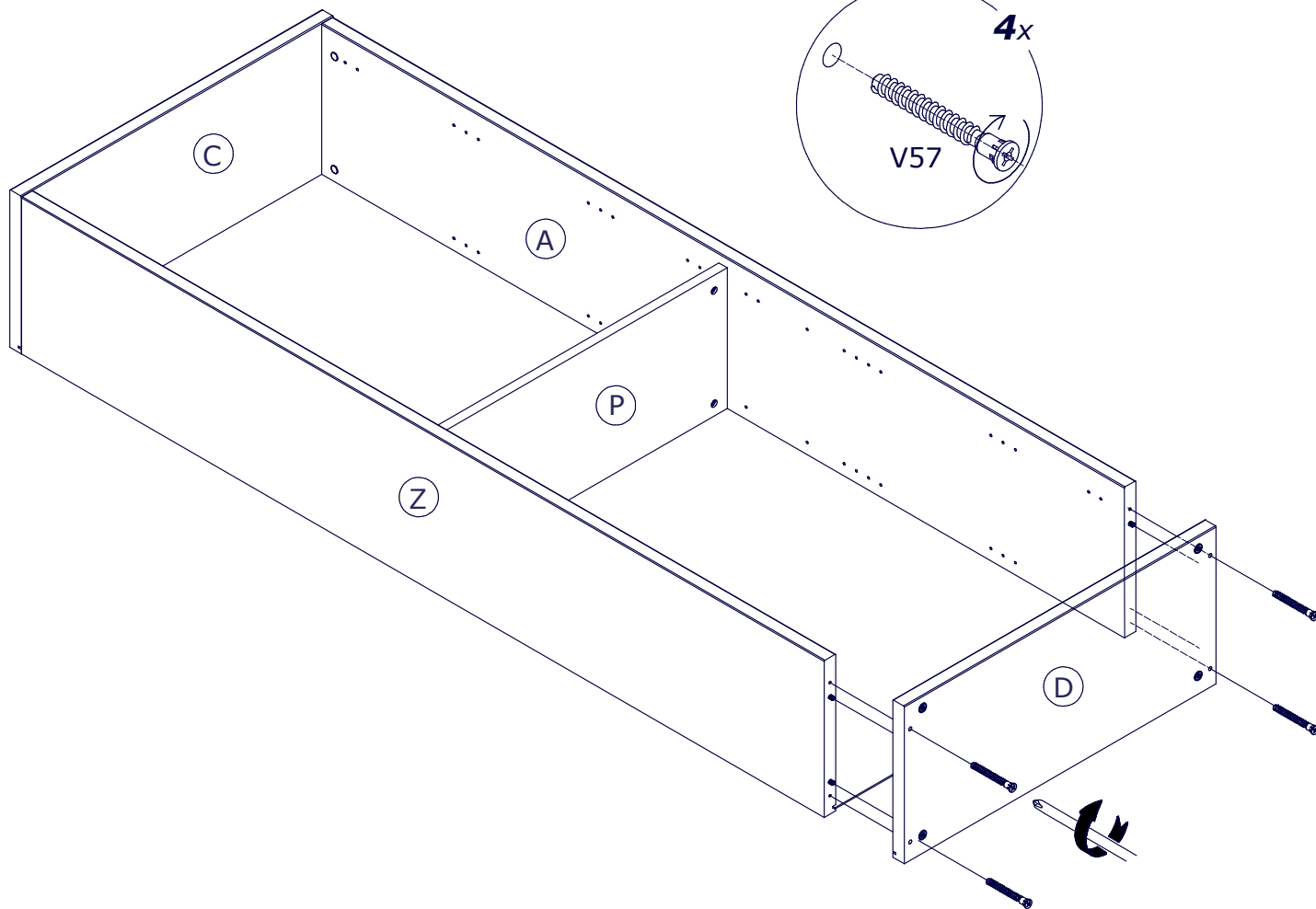
4x



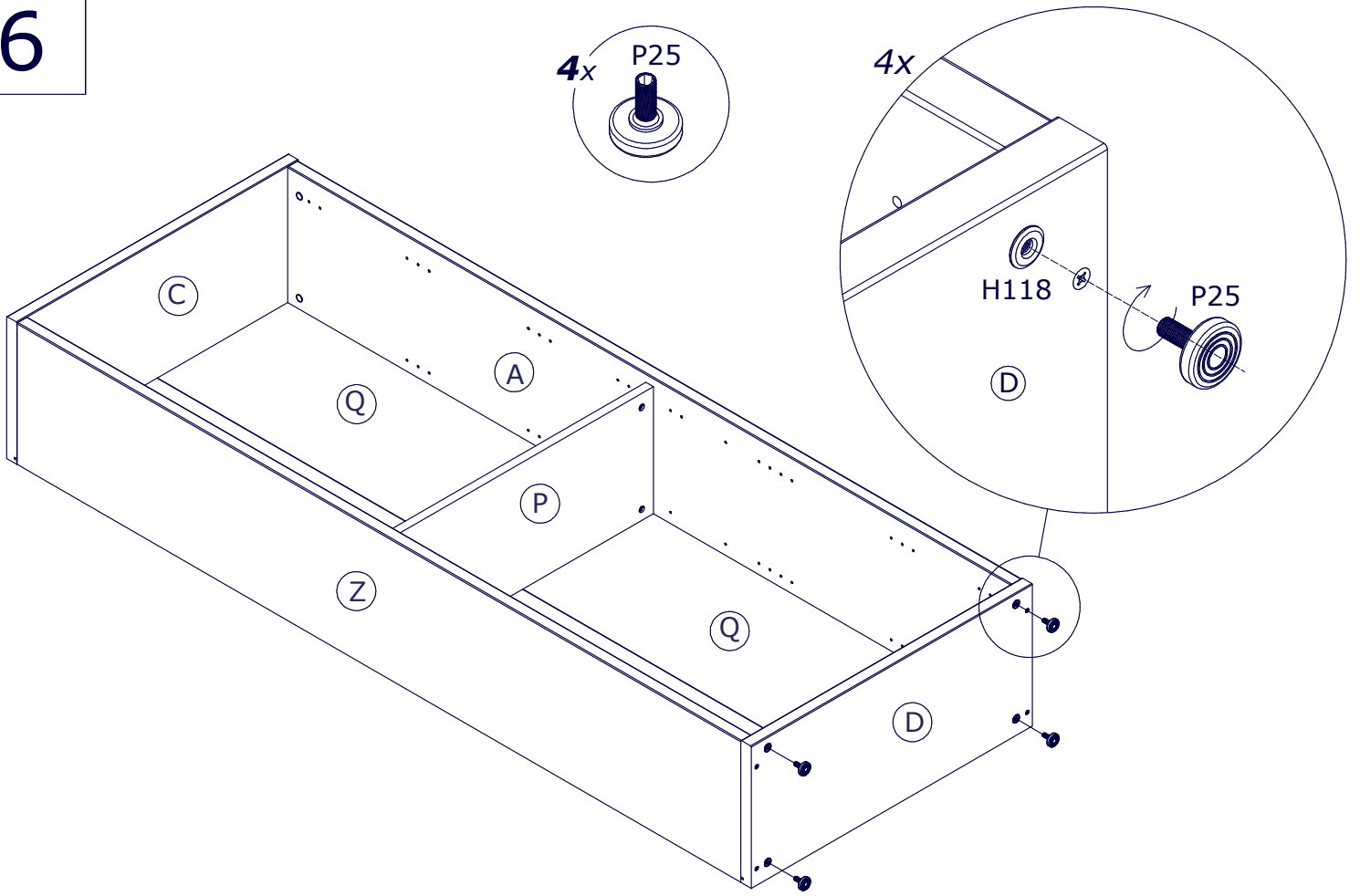
7



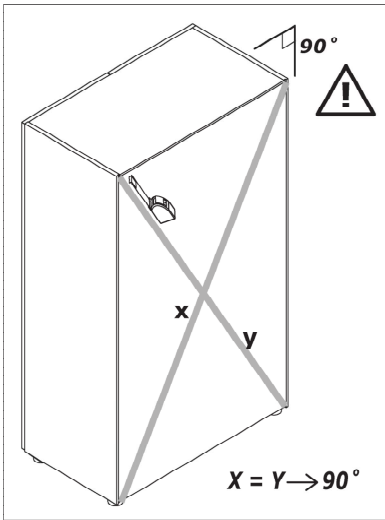
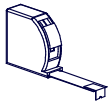
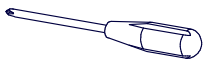
8



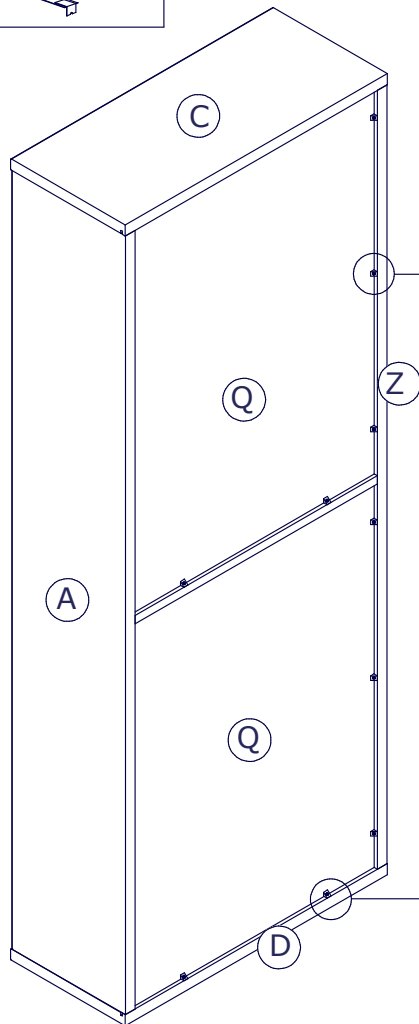
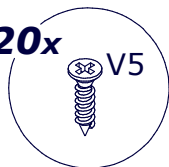
6



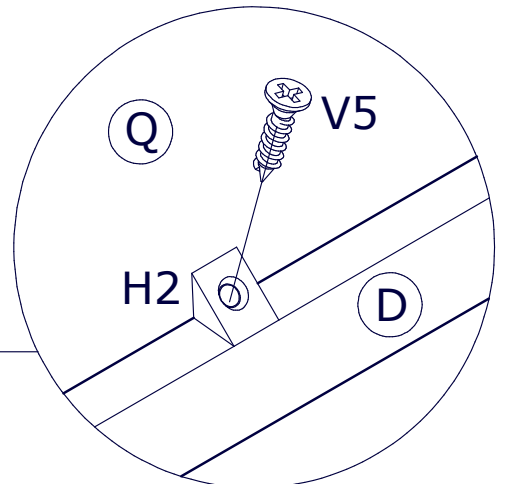
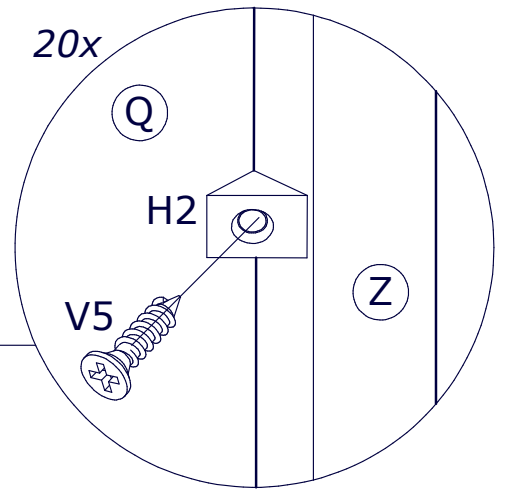
7



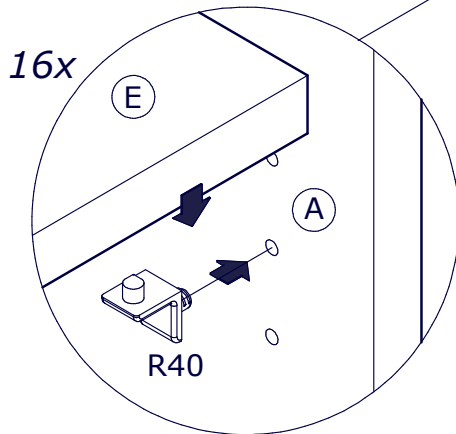
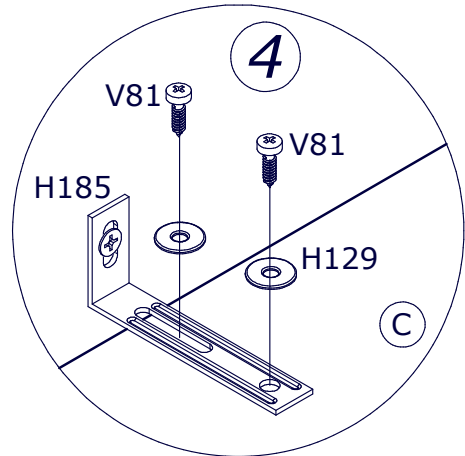
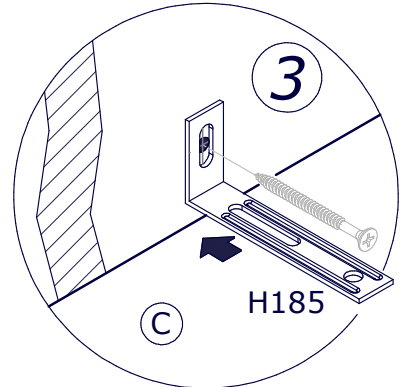
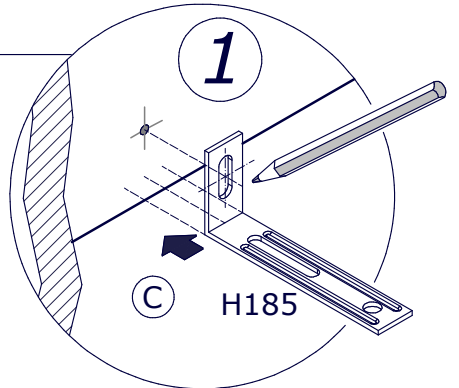
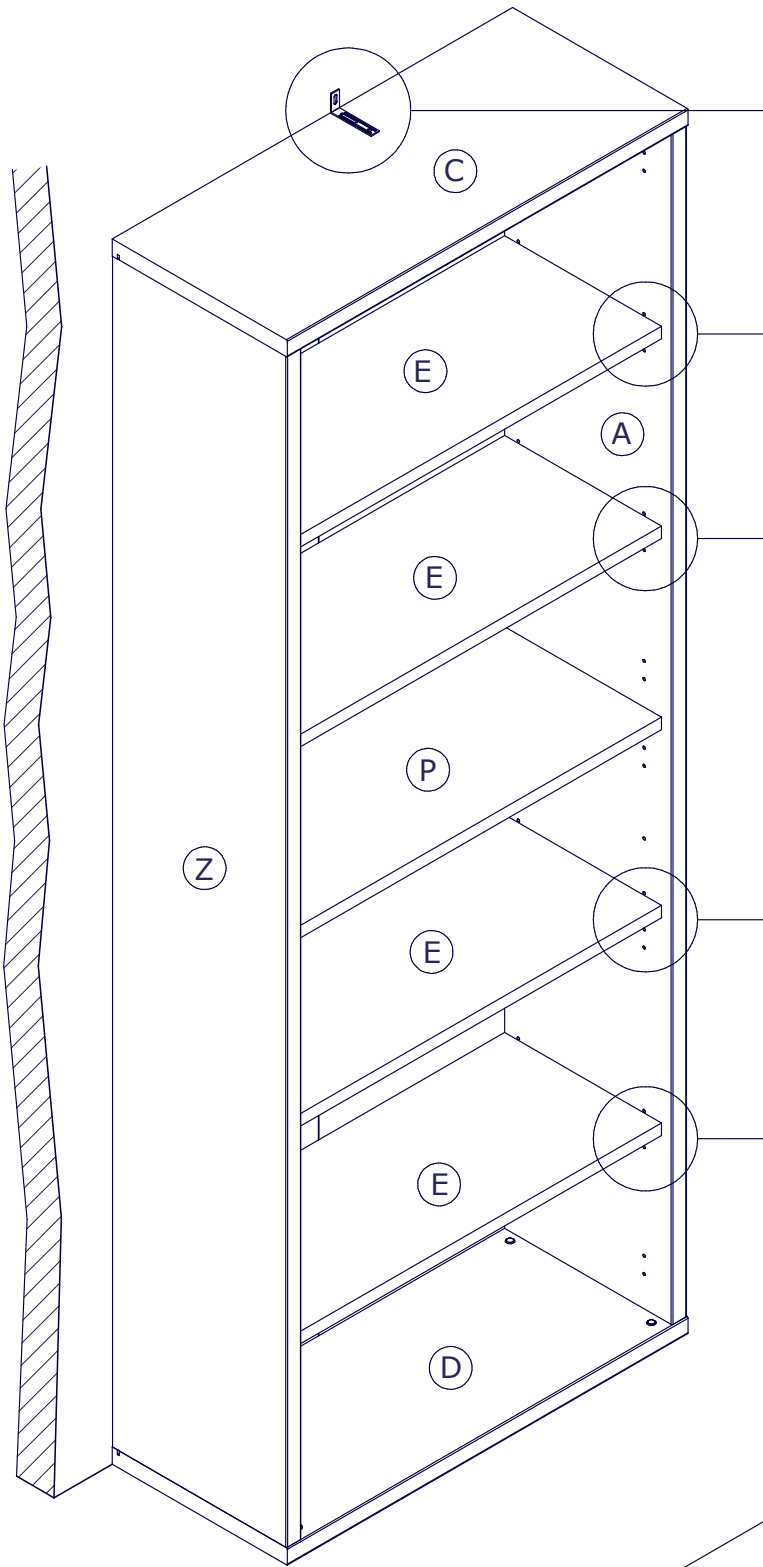
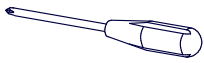
20x V5



20x

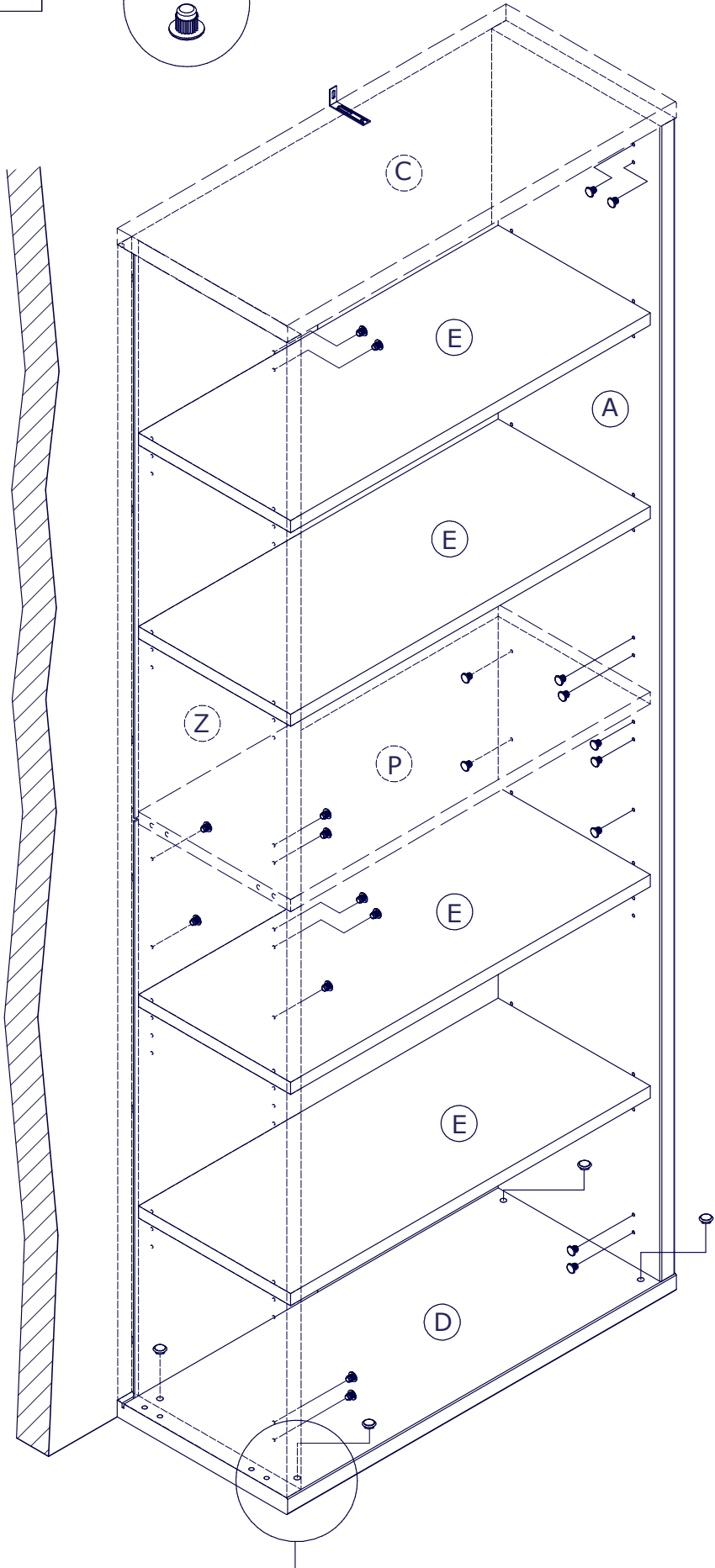


8



9

22x G31



4x G120

