

# CABINET

Assembly Instructions - Please keep for future reference

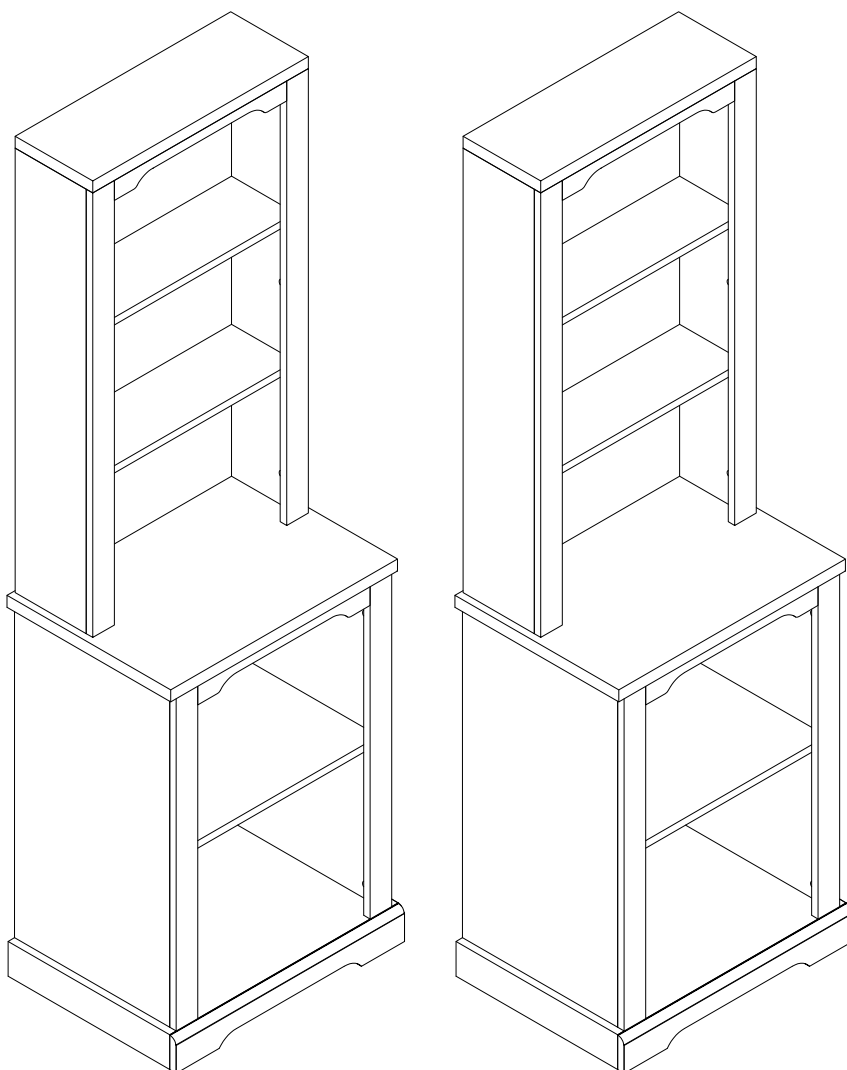
N721P394507

## Dimensions

Width-15.67inch

Depth-15.00inch

Height-66.06inch



## WARNING



This product is NOT a Clothing Storage Unit (CSU).  
DO NOT use it for clothing storage.  
Improper use may cause furniture tipover.

Important - Please read these instructions fully before starting assembly



# Safety and Care Advice

**Important – Please read these instructions fully before starting assembly**

- Check you have all the components and tools listed on the following pages.
- Remove all fittings from the plastic bags and separate them into their groups.
- Keep children and animals away from the work area, small parts could choke if swallowed.
- Make sure you have enough space to layout the parts before starting.

- During assembly do not stand or put weight on the product, this could cause damage.
- Assemble the item as close to its final position (in the same room) as possible.
- Assemble on a soft level surface to avoid damaging the unit or your floor.
- Parts of the assembly will be easier with 2 people.



power drill is set on a low torque setting.

- To reduce the likelihood of damaging your product please ensure that your

## Care and maintenance

- Only clean using a damp cloth and mild detergent, do not use bleach or abrasive cleaners.
- From time to time check that there are no loose screws on this unit.
- This product should not be discarded with household waste. Take to your local authority waste disposal centre.

## Handy Hints

- Assemble all parts and bolts loosely during assembly, only once the product is complete should you fully tighten the bolts
- Regularly check and ensure that all bolts and fittings are tightened properly.

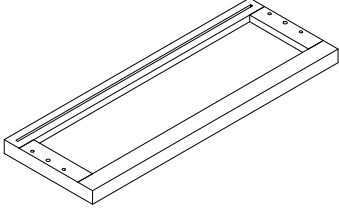
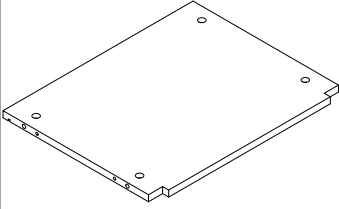
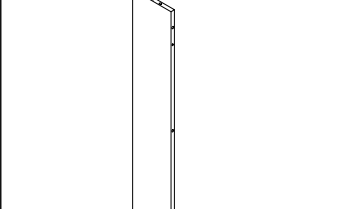
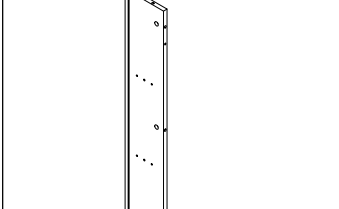
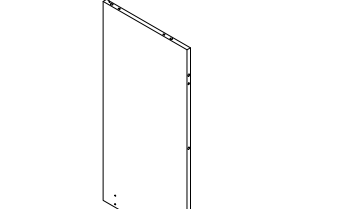
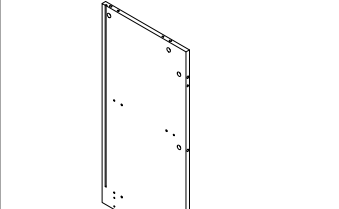
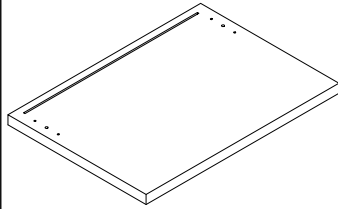
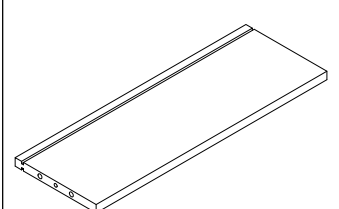
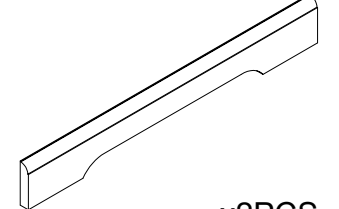
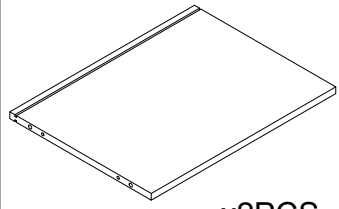
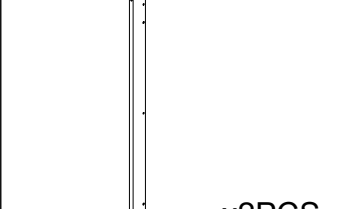
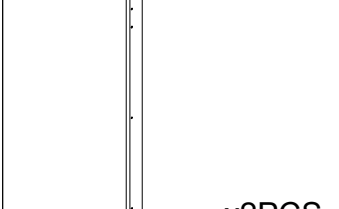
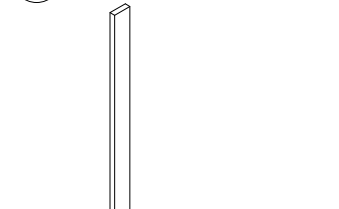
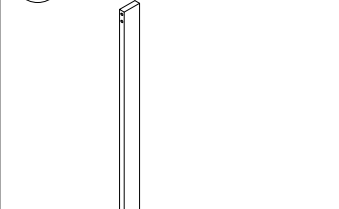
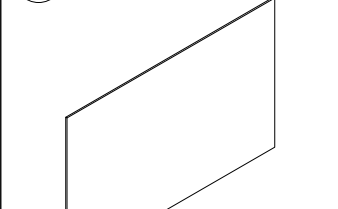
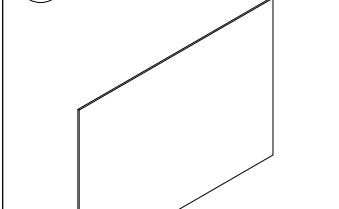
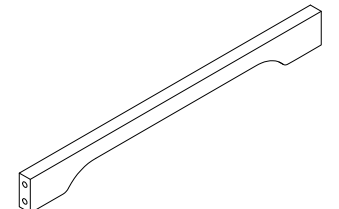
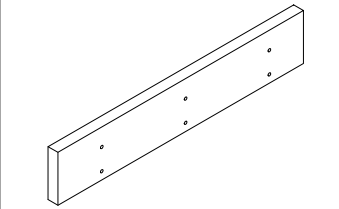
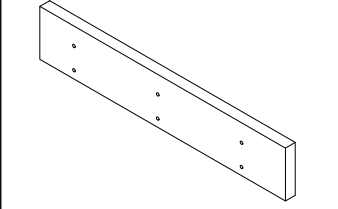
## **WARNING** In order to help prevent overturning – please follow these instructions

To help prevent product toppling over please follow the below steps:-

- Use the anti tip stap or wall fixing method provided (if applicable)
- Do not allow children to climb or hang on the furniture
- Do not open more than one drawer at a time
- Do not place heavy items in the top drawers
- Do not place heavy items on top of the furniture, unless the furniture has been designed for this purpose

# Components - Fittings

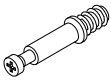

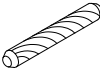
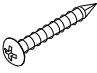

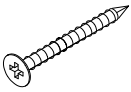





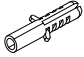

Please check you have all the panels listed below

<p>① 498*178*24</p>  <p>x2PCS</p>	<p>② 468*371*12</p>  <p>x2PCS</p>	<p>③ 890*162*15</p>  <p>x2PCS</p>	<p>④ 890*162*15</p>  <p>x2PCS</p>
<p>⑤ 740*356*15</p>  <p>x2PCS</p>	<p>⑥ 740*356*15</p>  <p>x2PCS</p>	<p>⑦ 528*378*24</p>  <p>x2PCS</p>	<p>⑧ 468*162*12</p>  <p>x4PCS</p>
<p>⑨ 530*70*15</p>  <p>x2PCS</p>	<p>⑩ 468*356*12</p>  <p>x2PCS</p>	<p>⑪ 890*48*15</p>  <p>x2PCS</p>	<p>⑫ 890*48*15</p>  <p>x2PCS</p>
<p>⑬ 740*48*15</p>  <p>x2PCS</p>	<p>⑭ 740*48*15</p>  <p>x2PCS</p>	<p>⑮ 475*296*3</p>  <p>x6PCS</p>	<p>⑯ 475*342*3</p>  <p>x4PCS</p>
<p>⑰ 398*38*15</p>  <p>x4PCS</p>	<p>⑱ 371*68*15</p>  <p>x2PCS</p>	<p>⑲ 371*68*15</p>  <p>x2PCS</p>	

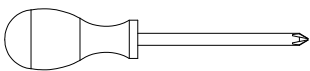
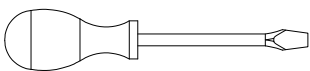
# Components - Fittings

Please check you have all the panels listed below

Note: The quantities below are the correct amount to complete the assembly. In some cases more fittings may be supplied than are required.

<p><b>A</b></p>  <p>M6*35mm Cam Bolt x 72+3</p>	<p><b>B</b></p>  <p>M15*10mm Cam lock x 72+3</p>	<p><b>C</b></p>  <p>M6*30mm Dowel x 72+3</p>	<p><b>D</b></p>  <p>M4*25mm Screw x 32+2</p>
<p><b>E</b></p>  <p>M3*12mm Screw x 4</p>	<p><b>F</b></p>  <p>M4*40mm Screw x 8+1</p>	<p><b>G</b></p>  <p>Plastic Connector x 40+2</p>	<p><b>H</b></p>  <p>M3*16mm Screw x 40+2</p>
<p><b>I</b></p>  <p>M4*35mm Screw x 4</p>	<p><b>J</b></p>  <p>Anti-Inverted Iron x 4</p>	<p><b>K</b></p>  <p>M4*12mm Screw x 4</p>	<p><b>L</b></p>  <p>WALL ANCHOR x 4</p>
<p><b>M</b></p>  <p>Metal Plate x 2</p>			

## Tools required

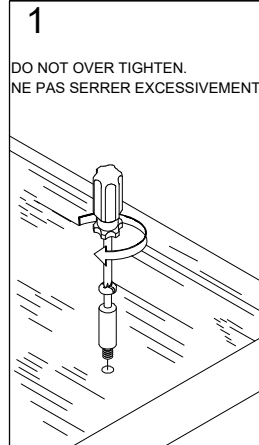


Phillips screwdriver  
(medium & large)

# Using Camlocks

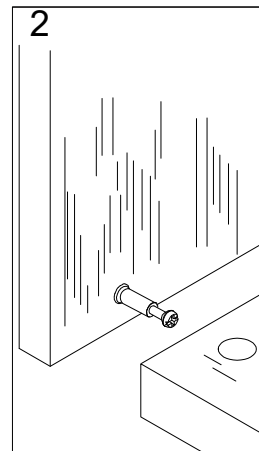
## Step 1

Connect the male camlock as directed in the assembly instructions using a screwdriver.



## Step 2

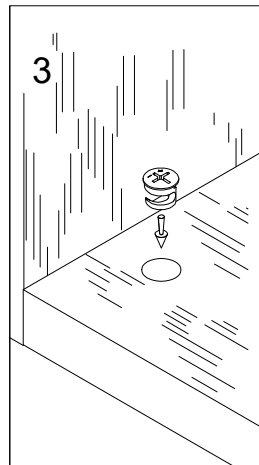
Push the male camlock into the entry hole.



## Step 3

Insert the female camlock as shown in the instruction.

Note: ensure that the arrow on the top of the camlock points towards the entry hole for the male camlock.

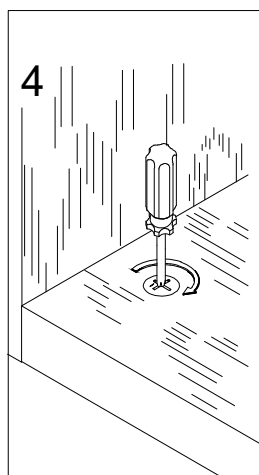


## Step 4

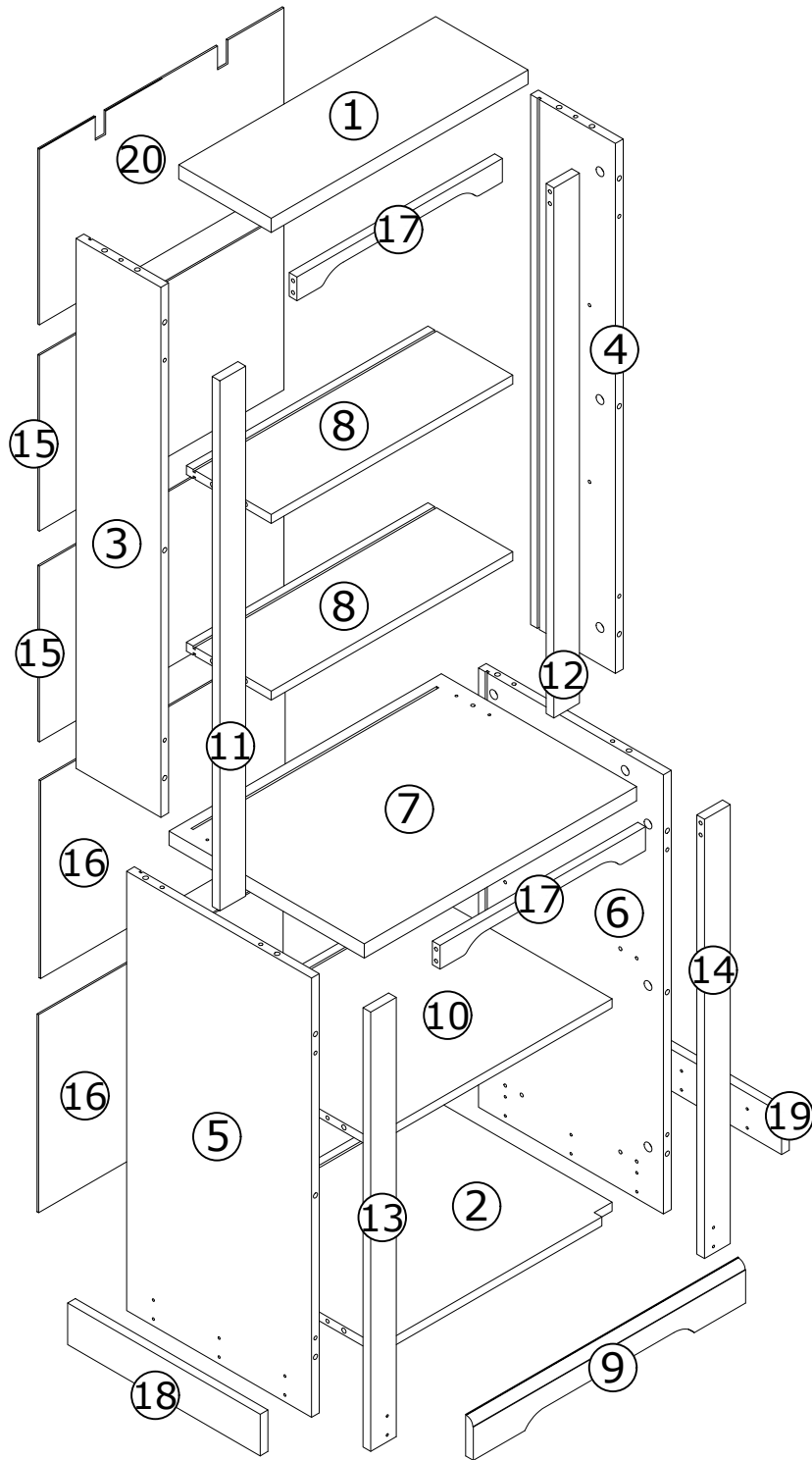
Turn the female camlock clockwise with a screwdriver.

You should feel a click when the camlock is locked in place.

The joint is now secure.



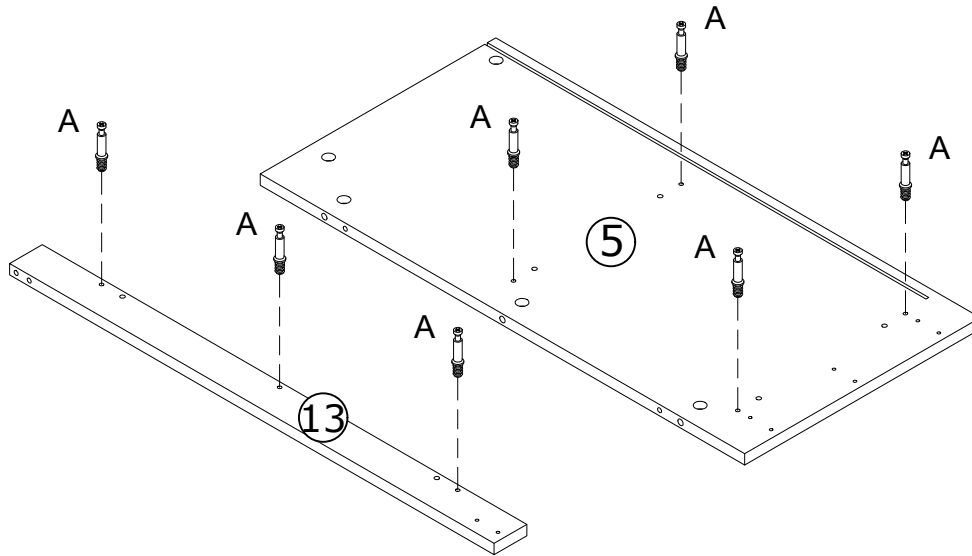
# Assembly Instructions



X2

# Assembly Instructions

## Step 1



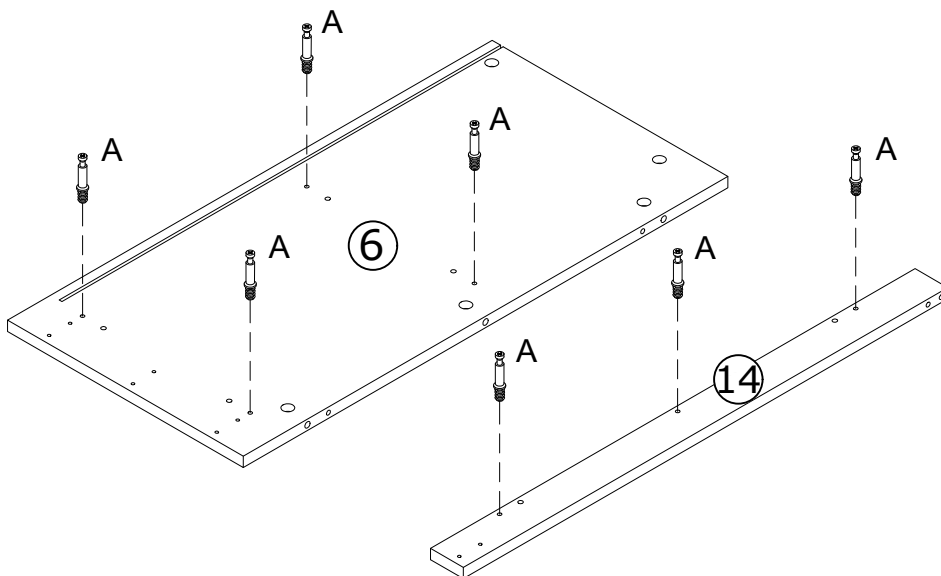
A



M6\*35 Cam Bolt x 14

X2

## Step 2



A



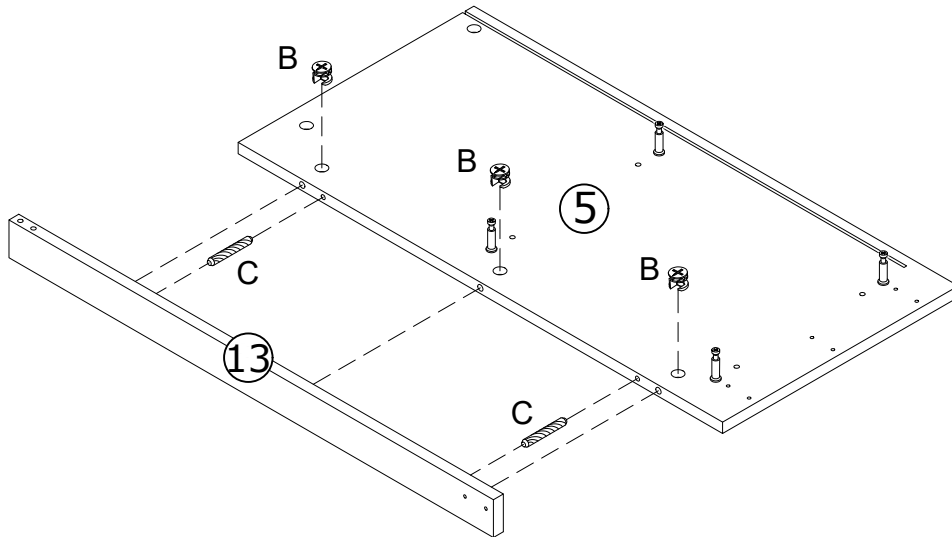
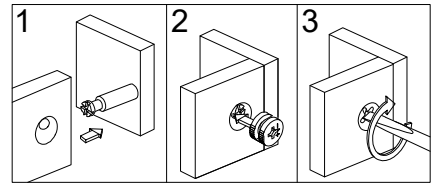
M6\*35 Cam Bolt x 14

X2

6

# Assembly Instructions

## Step 3



(B)



M15\*10mm Cam lock x 6

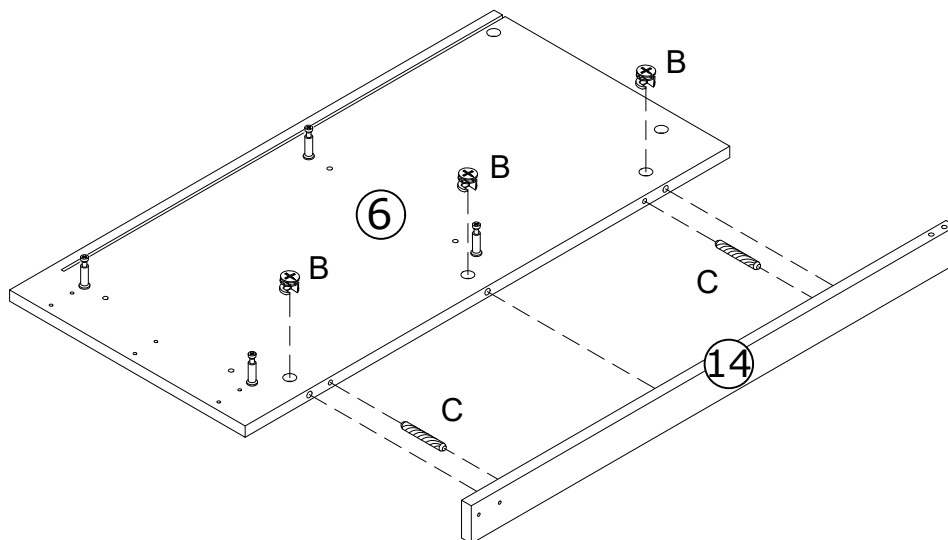
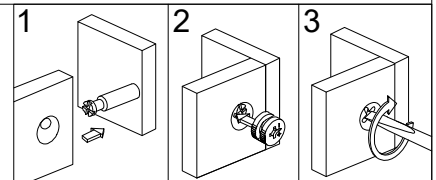
(C)



M6\*30mm Dowel x 4

X2

## Step 4



(B)



M15\*10mm Cam lock x 6

(C)



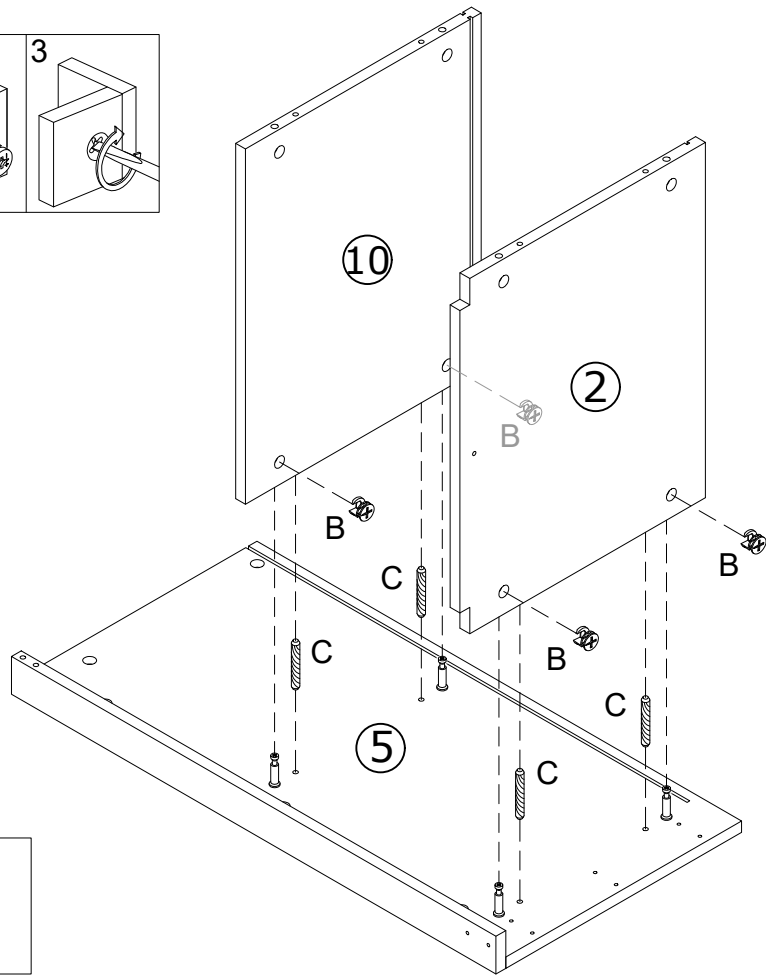
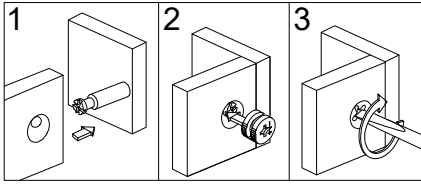
M6\*30mm Dowel x 4

X2

7

# Assembly Instructions

## Step 5



(B)



M15\*10mm Cam lock x 8

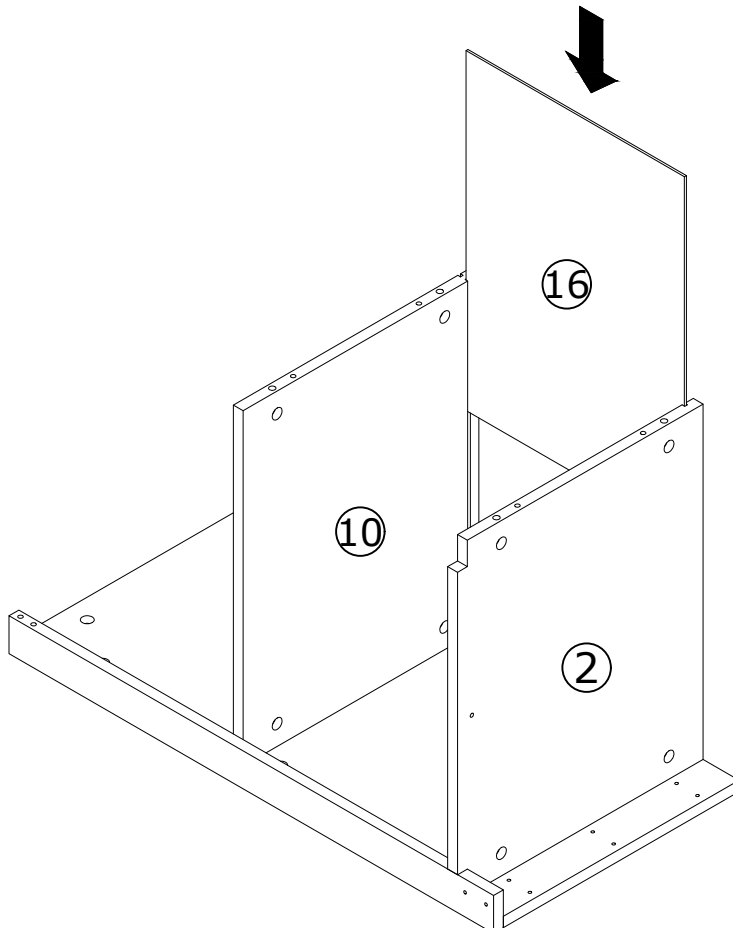
(C)



M6\*30mm Dowel x 8

X2

## Step 6

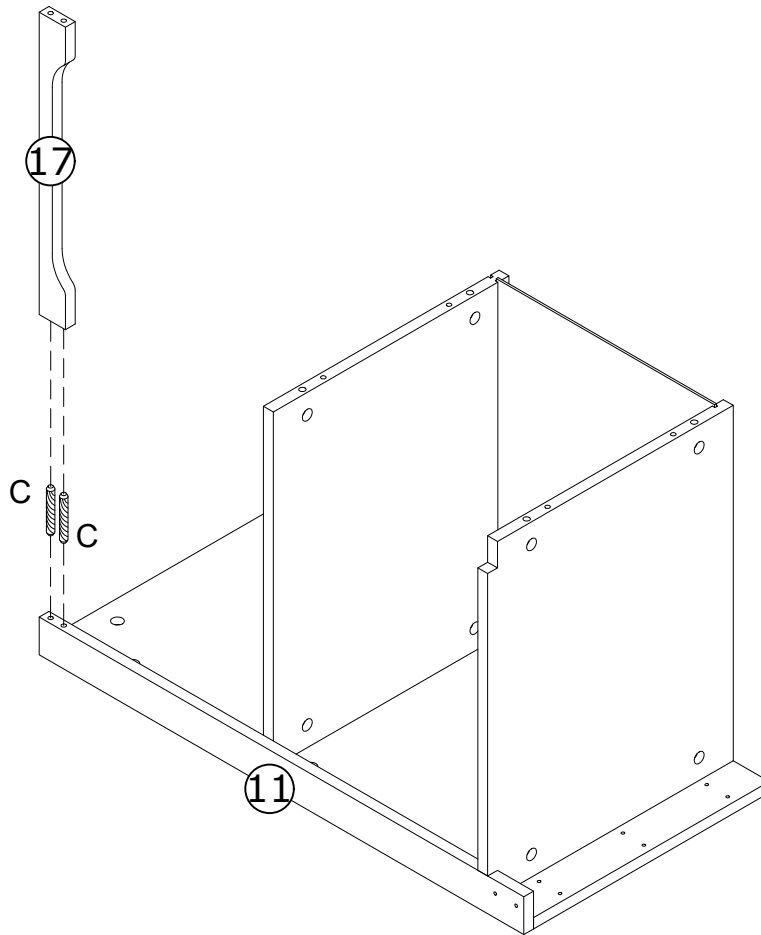


X2

8

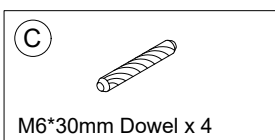
# Assembly Instructions

## Step 7



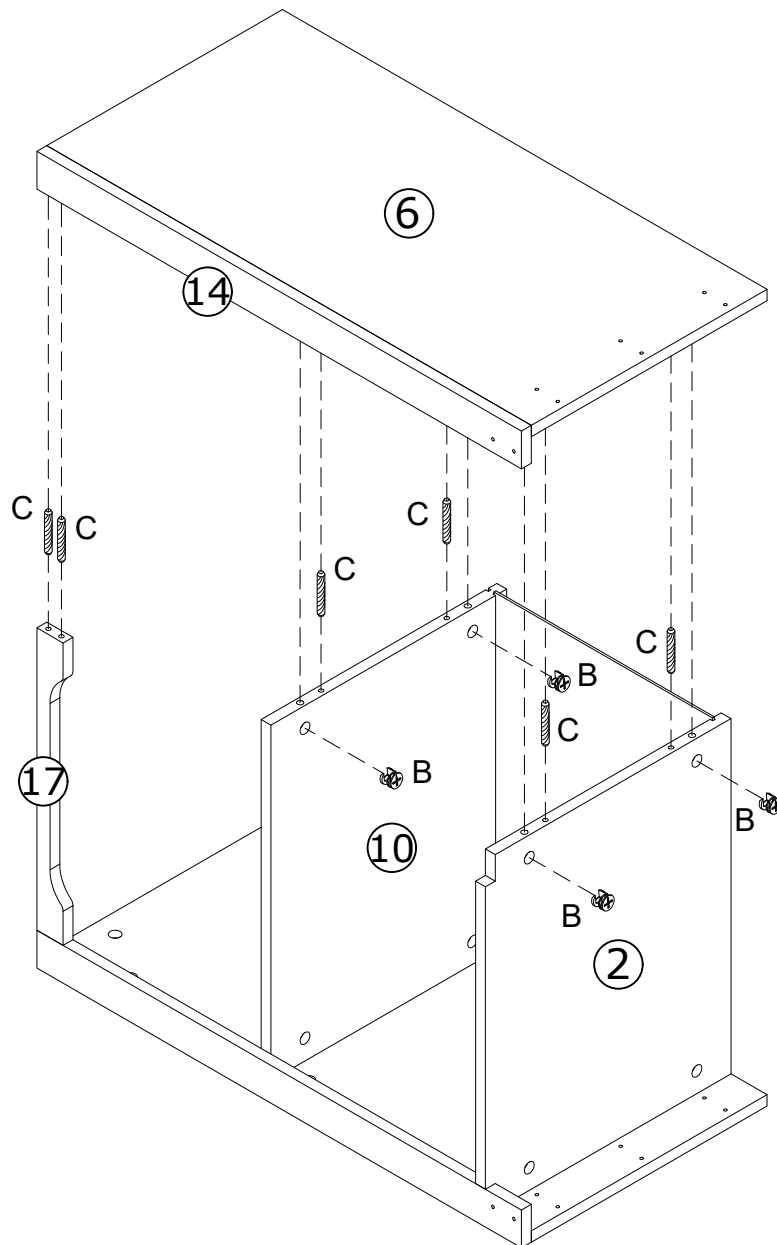
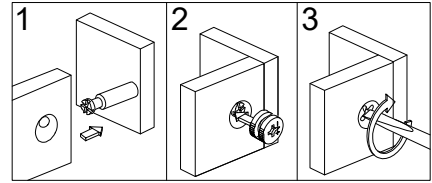
X2

9




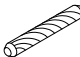
# Assembly Instructions

Step 8



X2

10

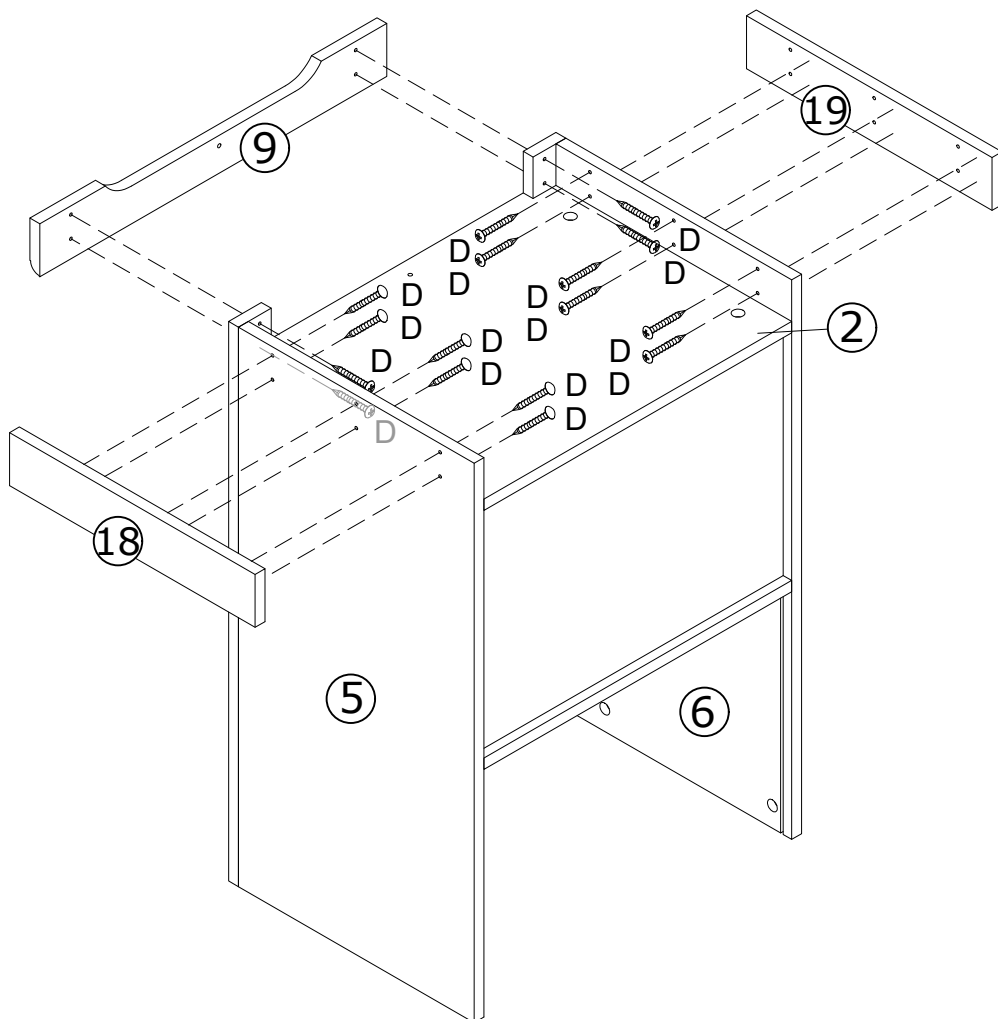
<p>(B)</p>  <p>M15*10mm Cam lock x 8</p>	<p>(C)</p>  <p>M6*30mm Dowel x 12</p>
---	--

# Assembly Instructions

Step 9



Be careful! At least two people are required

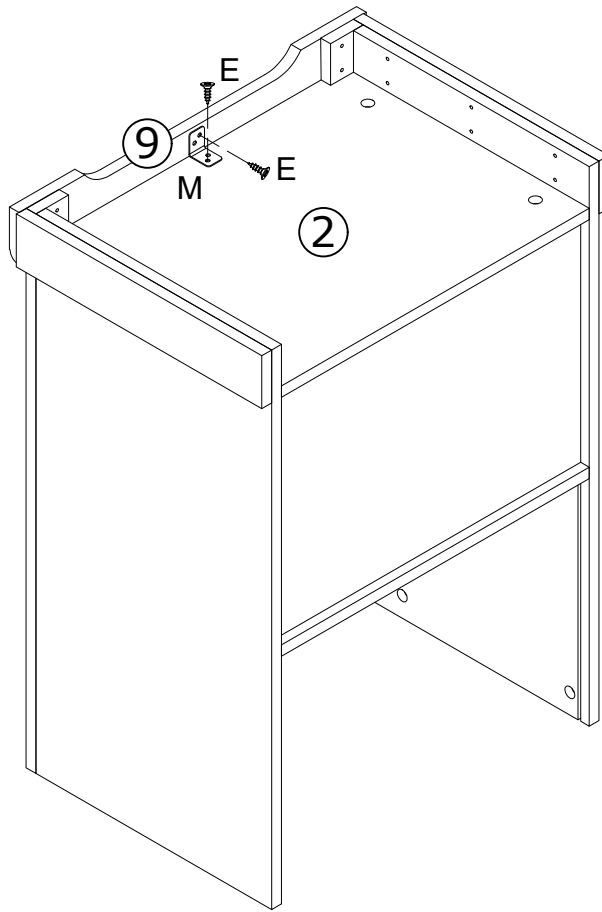


X2

11

# Assembly Instructions

## Step 10



(E)



M3\*12mm Screw x 4

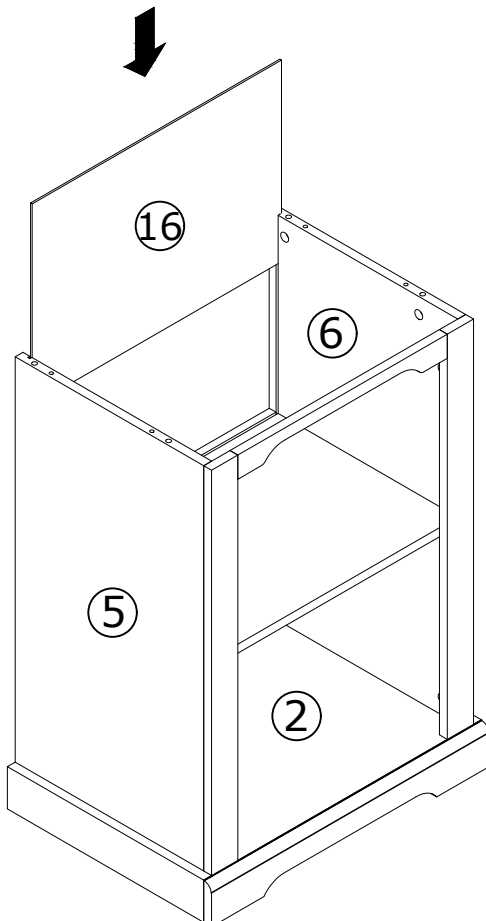
(M)



Metal Plate x 2

X2

## Step 11



180°

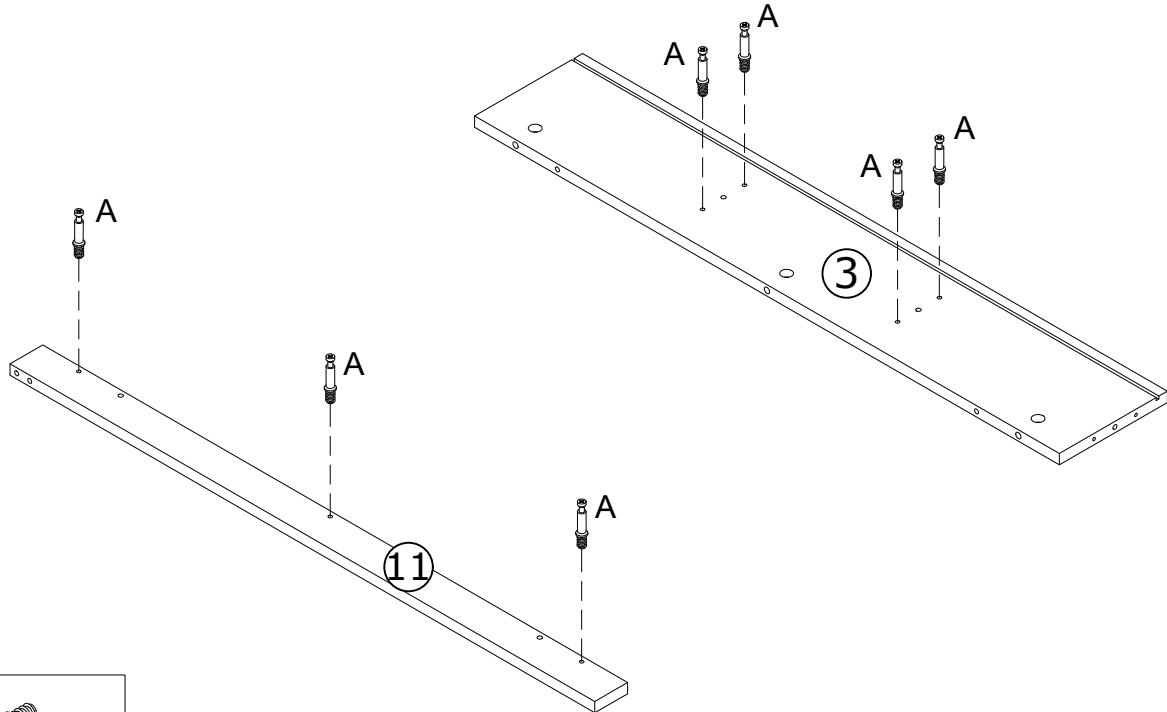
Be careful! At least two people are required

X2

12

# Assembly Instructions

## Step 12



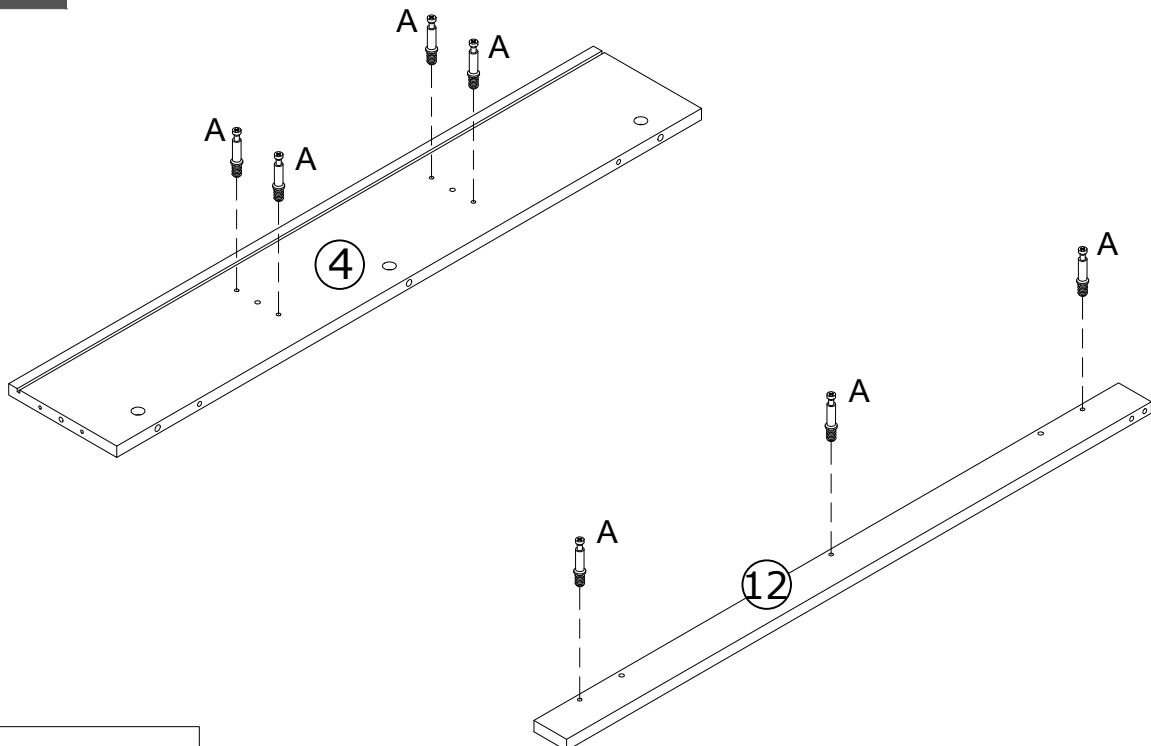
A



M6\*35 Cam Bolt x 14

X2

## Step 13



A



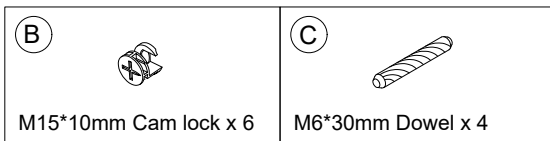
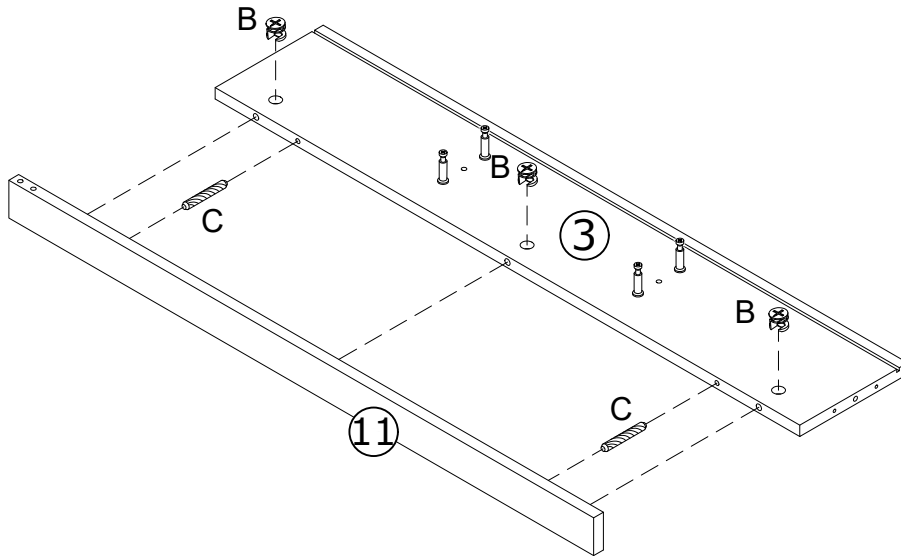
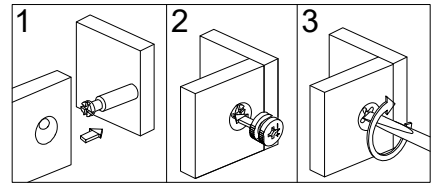
M6\*35 Cam Bolt x 14

X2

13

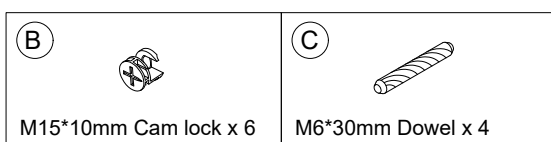
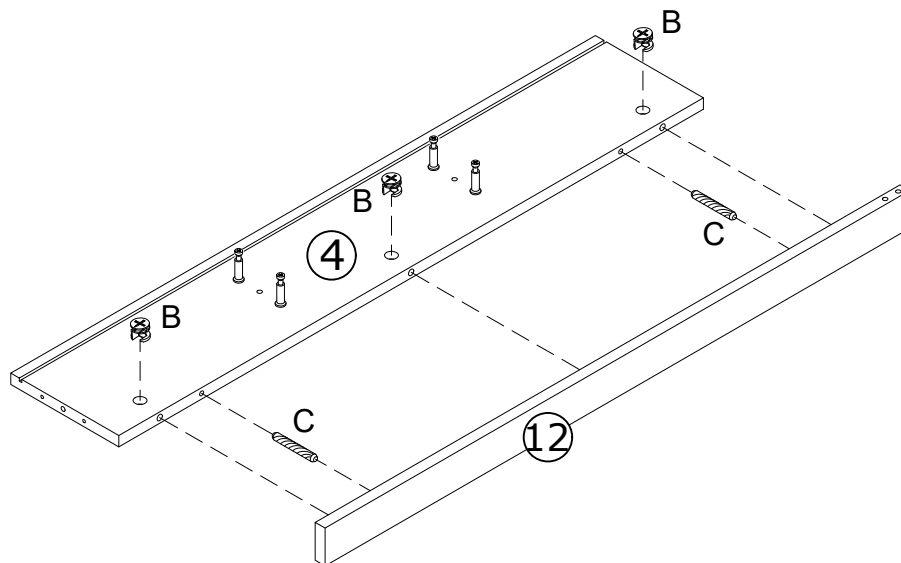
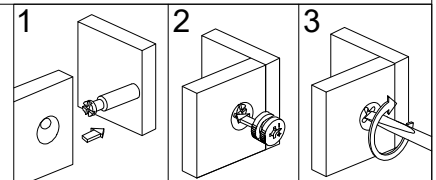
# Assembly Instructions

## Step 14



X2

## Step 15

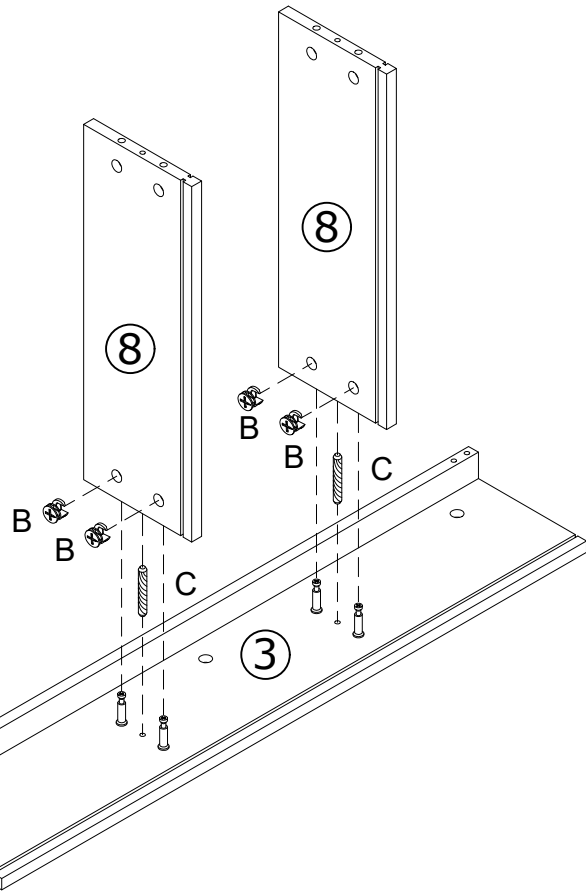
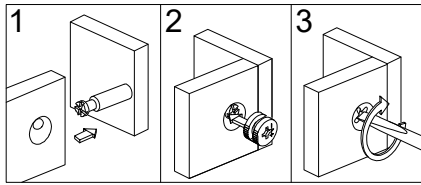


X2

14

# Assembly Instructions

## Step 16



(B)



M15\*10mm Cam lock x 8

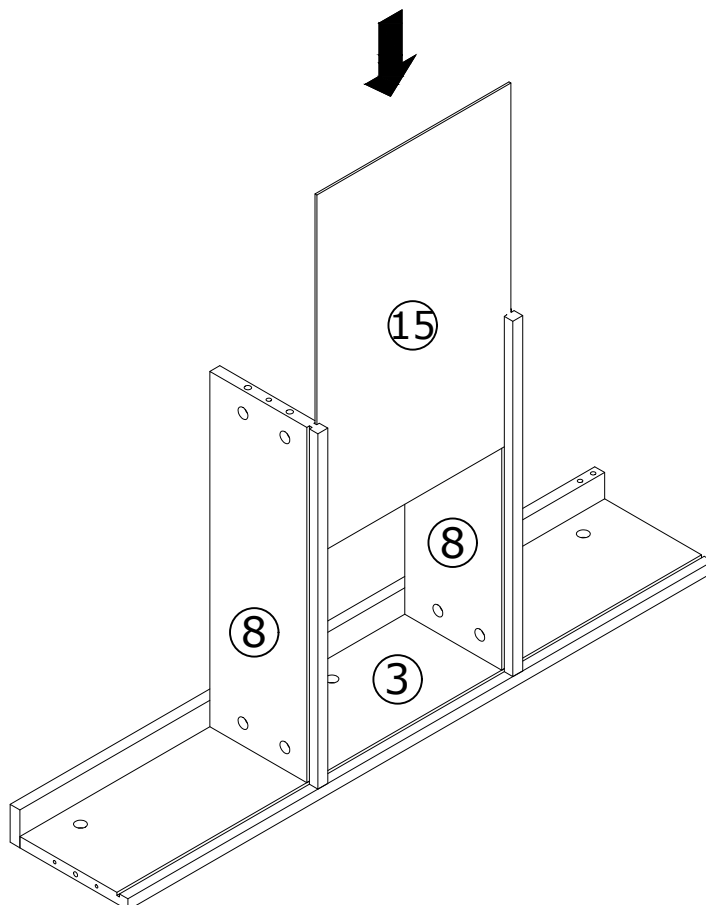
(C)



M6\*30mm Dowel x 4

X2

## Step 17

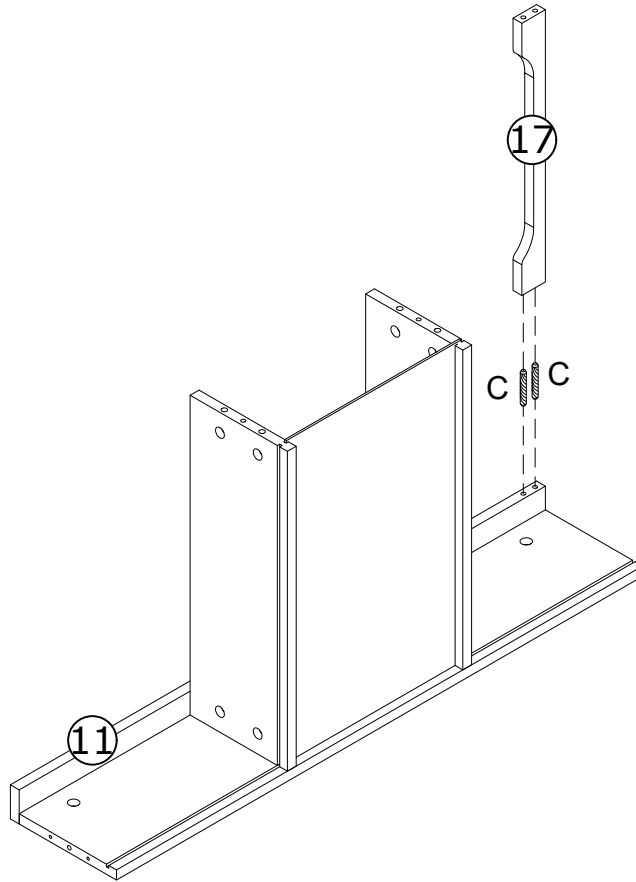


X2

15

# Assembly Instructions

## Step 18



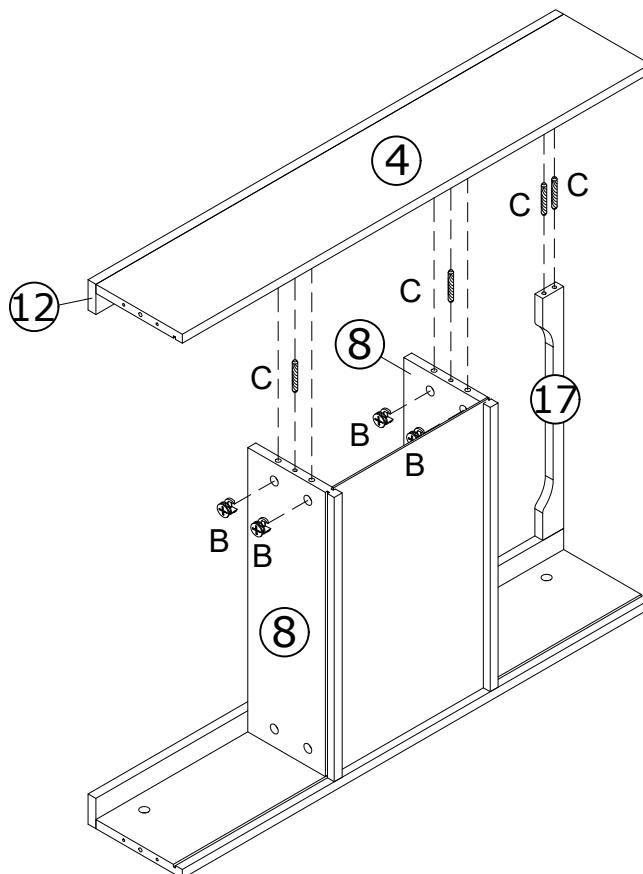
C



M6\*30mm Dowel x 4

X2

## Step 19



B

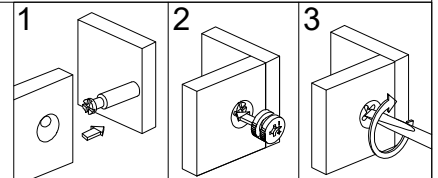


M15\*10mm Cam lock x 8

C



M6\*30mm Dowel x 8



X2

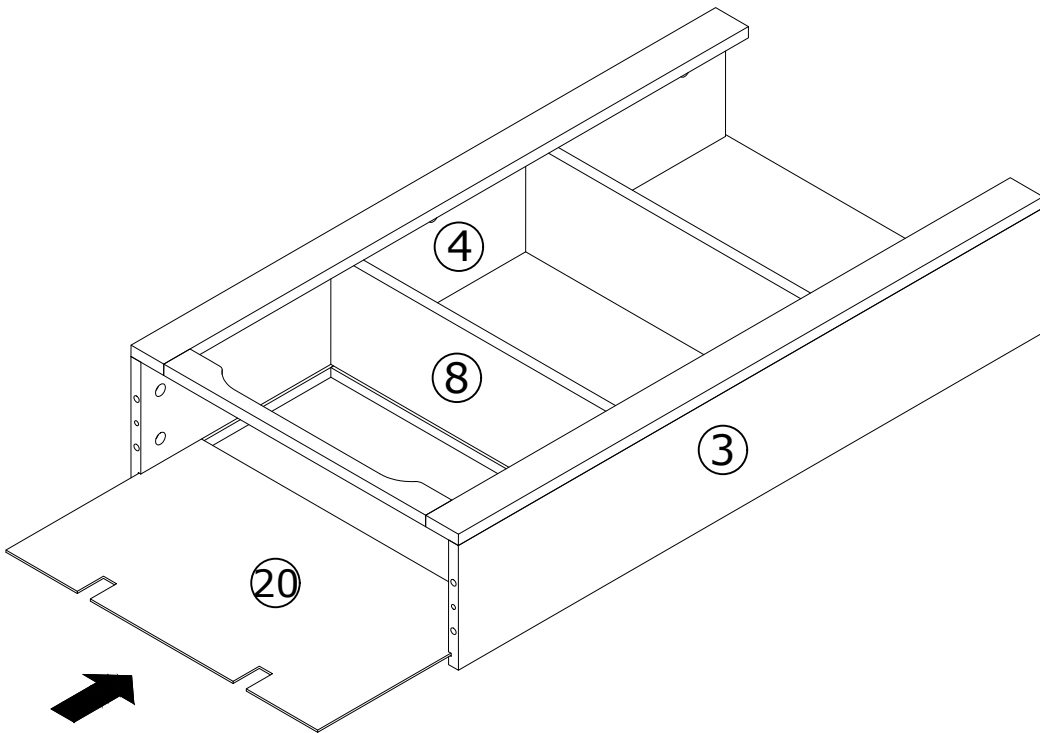
16

# Assembly Instructions

Step 20



Be careful! At least two people are required

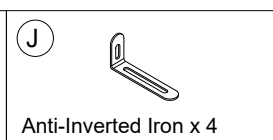
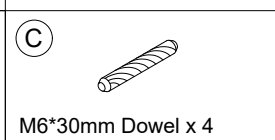
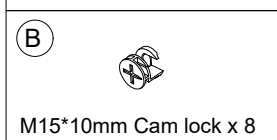
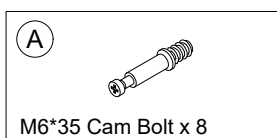
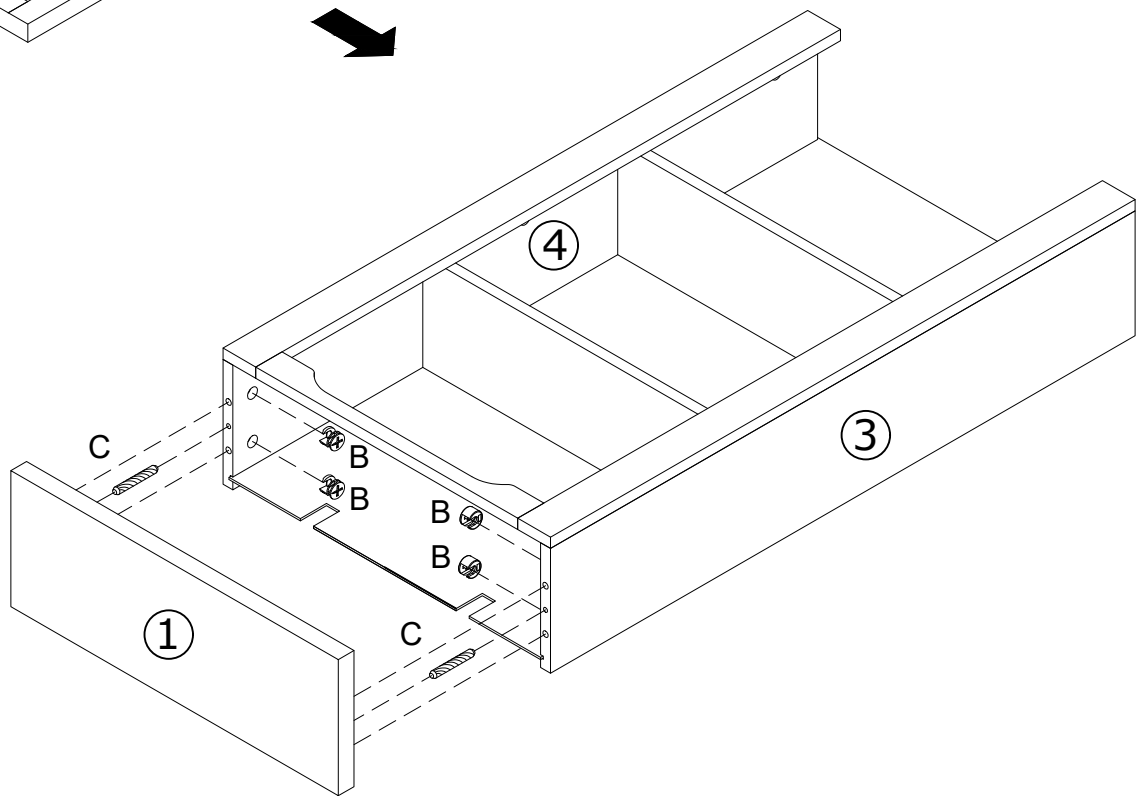
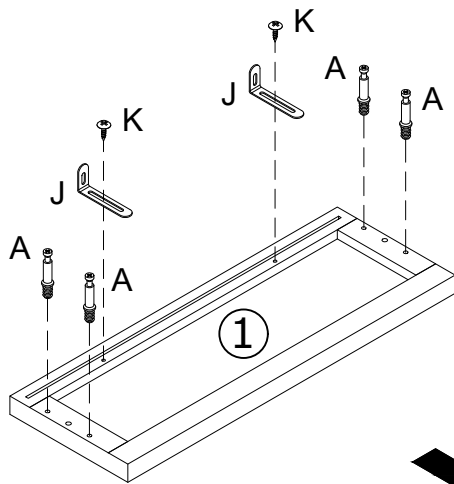
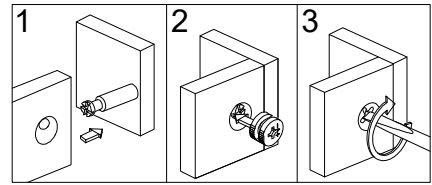


X2

17

# Assembly Instructions

Step 21

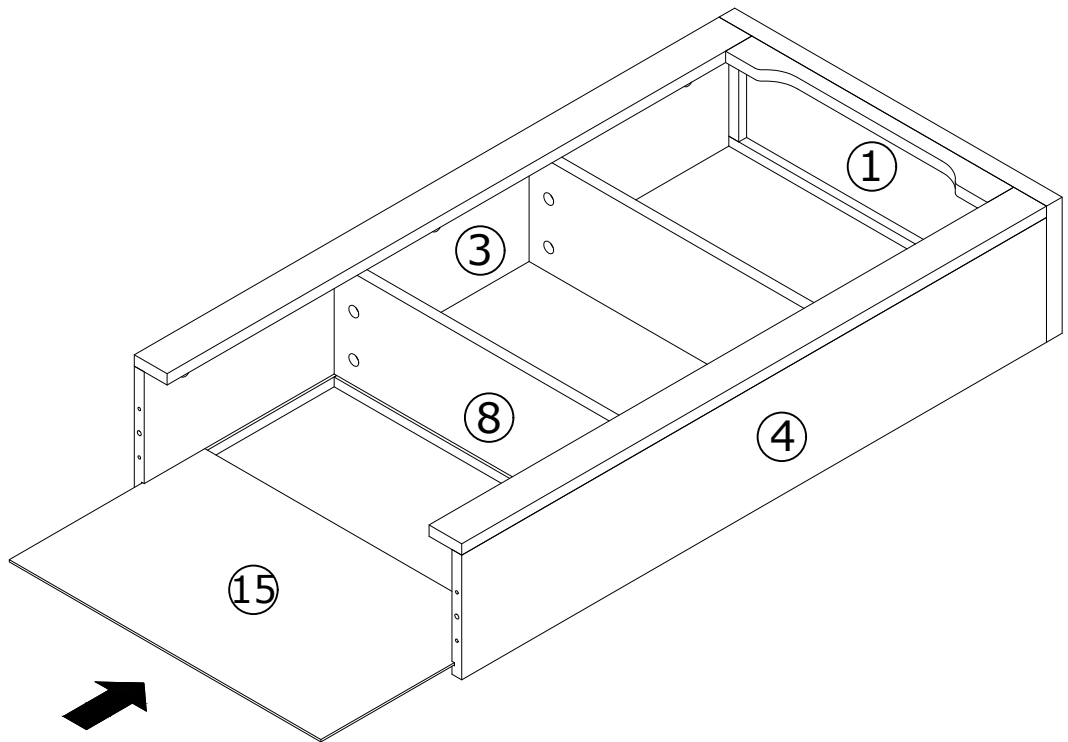


X2

18

# Assembly Instructions

Step 22

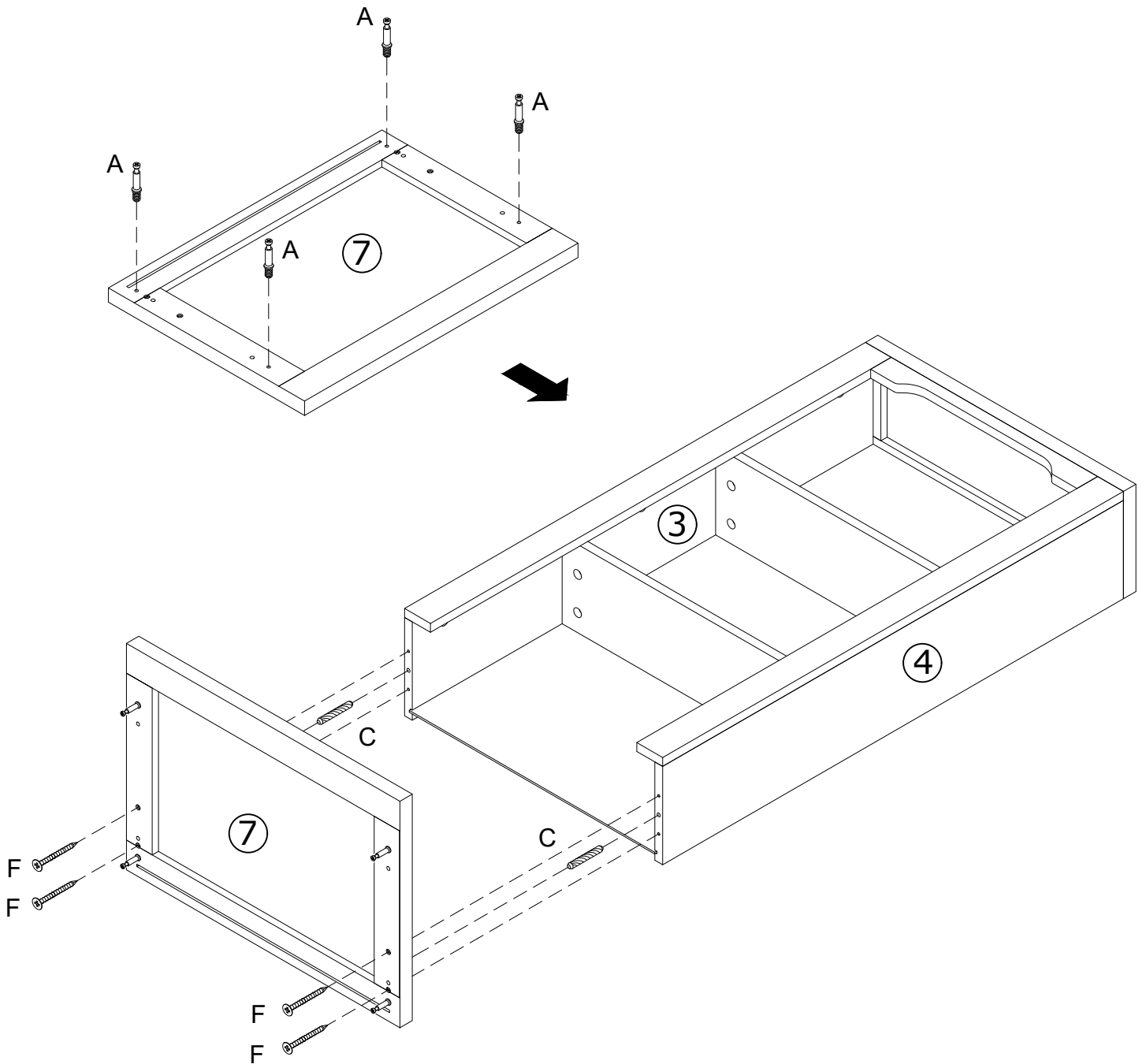


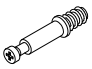
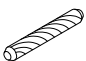
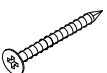
X2

19

# Assembly Instructions

## Step 23



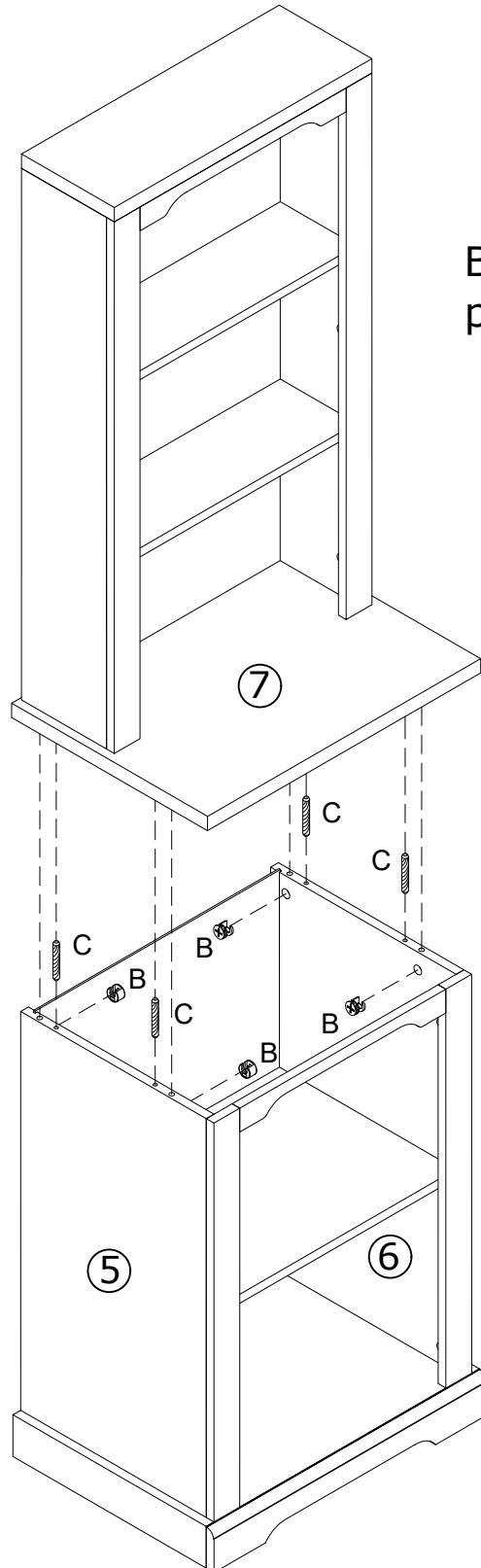
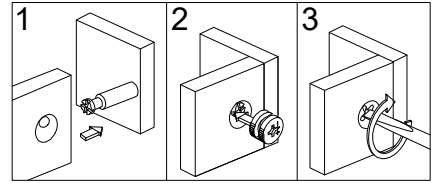
(A)	
M6*35 Cam Bolt x 8	
(C)	
M6*30mm Dowel x 4	
(F)	
M4*40mm Screw x 8	

X2

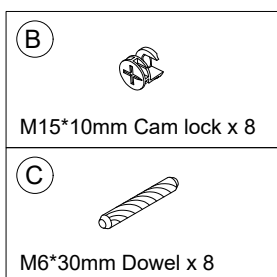
20

# Assembly Instructions

## Step 24



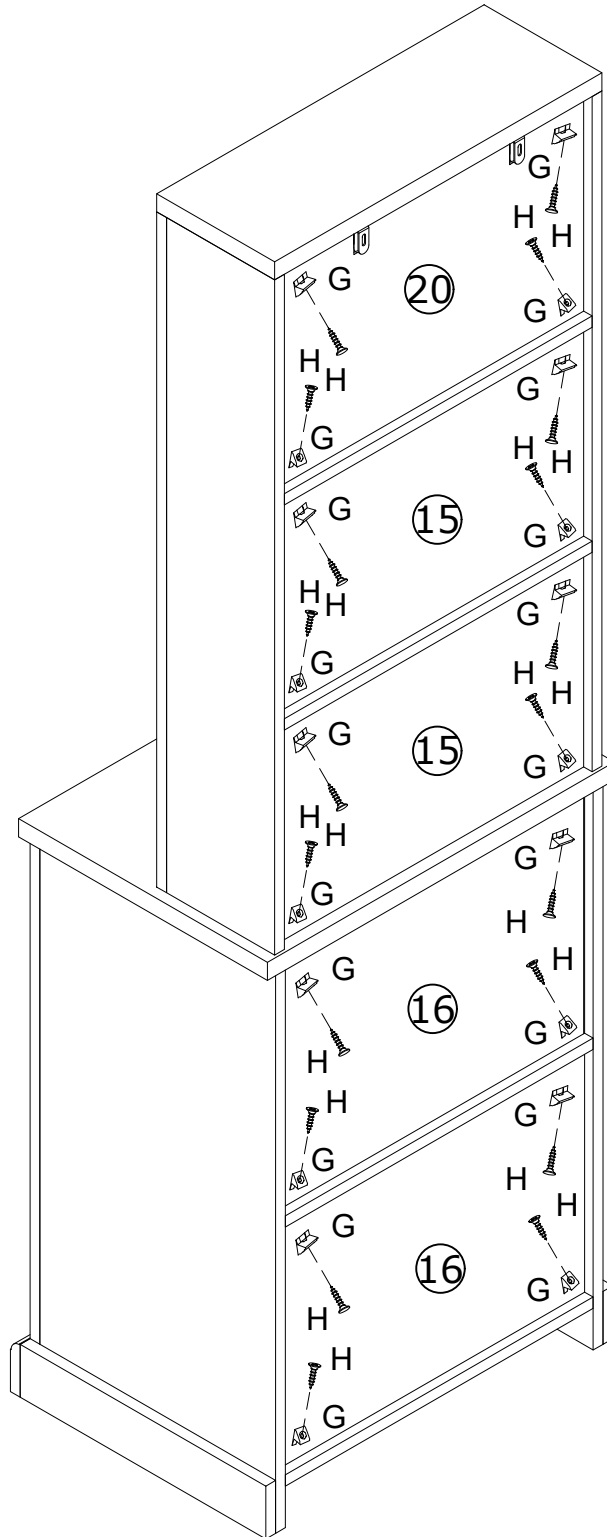
Be careful! At least two people are required



X2  
21



# Assembly Instructions

## Step 25



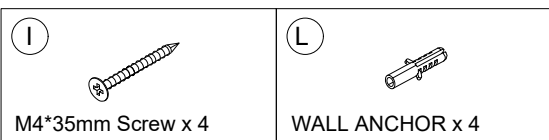
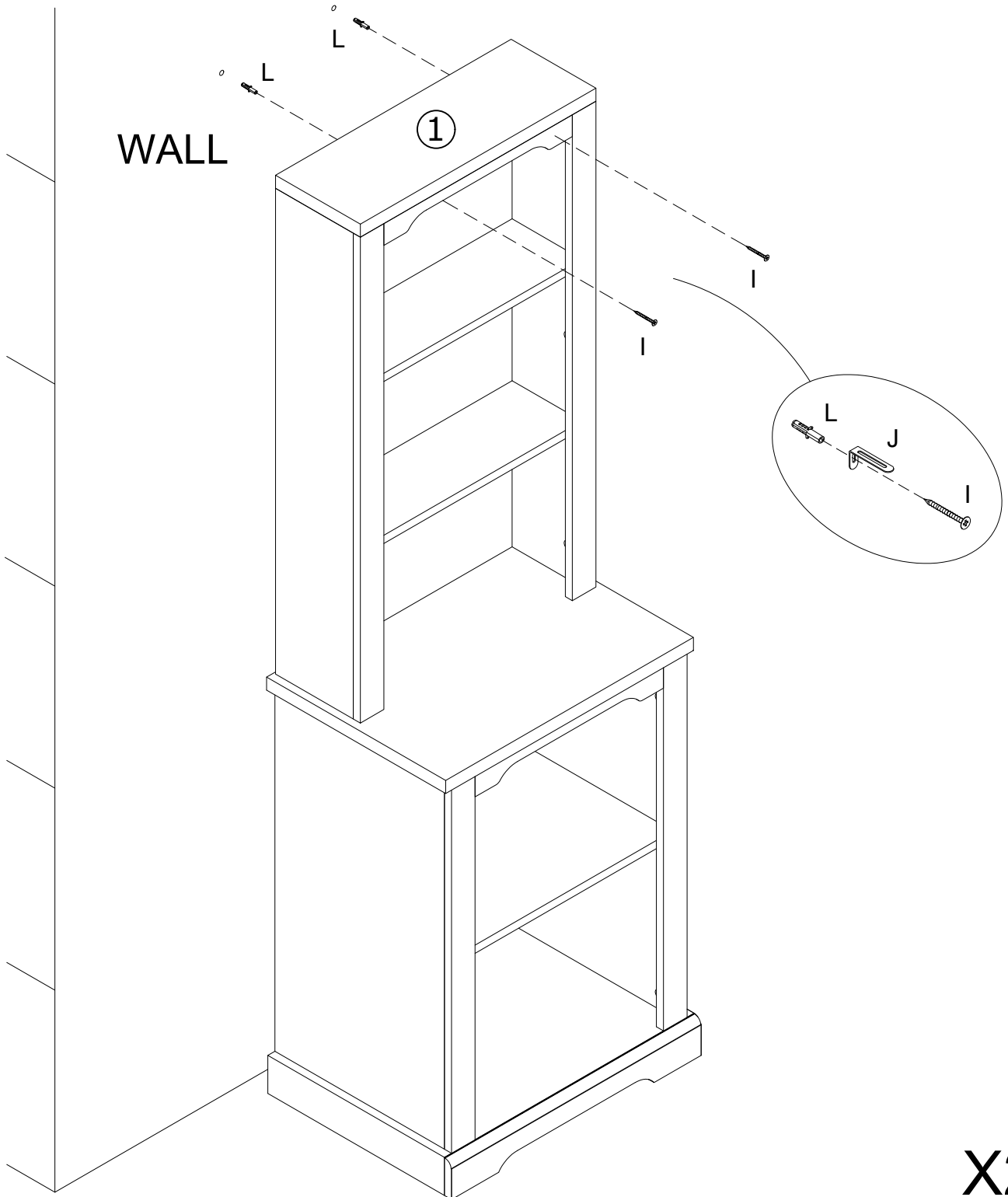
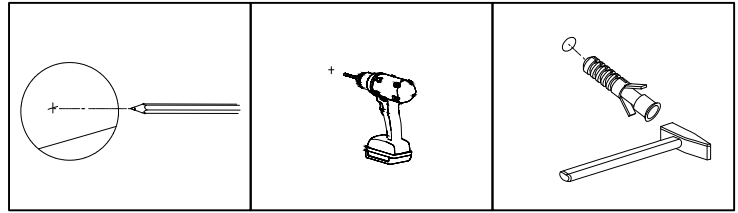
X2

22

<p>(G)</p>  <p>Plastic Connector x 40</p>	<p>(H)</p>  <p>M3*16mm Screw x 40</p>
--	--

# Assembly Instructions

Step 26



X2

23

# Assembly Instructions

Finish

