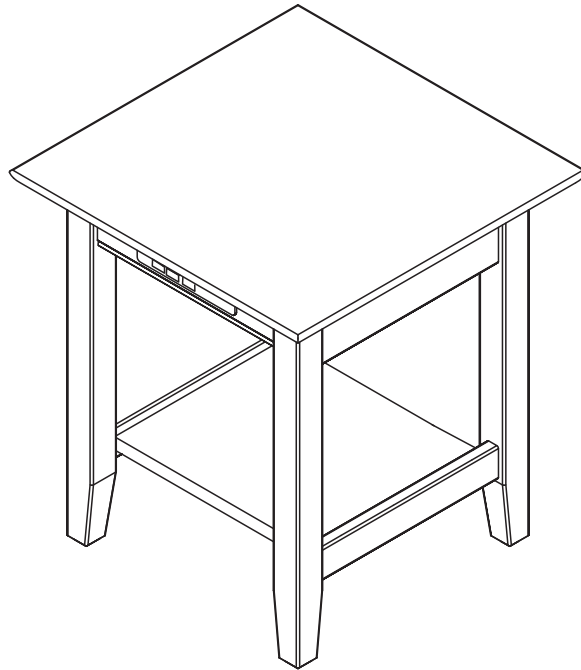


# END TABLE-CHARGING STATION

## Assembly Instructions

Before assembling your End Table, please read through these instructions carefully. Familiarize yourself with the different parts.



**\*NOTE: A PHILLIPS HEAD SCREWDRIVER IS NEEDED FOR INSTALLATION AND IS NOT INCLUDED.\***



**A** Cam Screw - 20 pcs



**C** Plastic Cap - 2 pcs



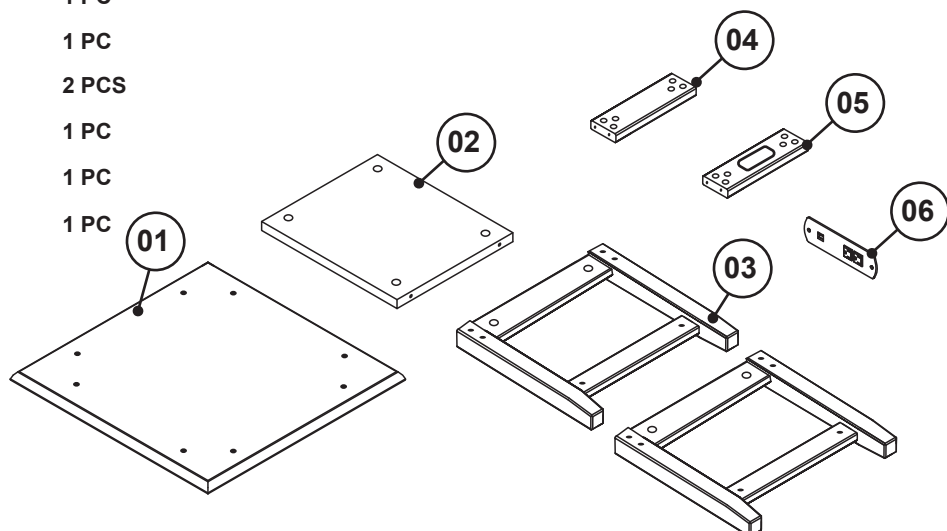
**B** Cam Nut - 20 pcs



**D** Wood Screw - 2 pcs

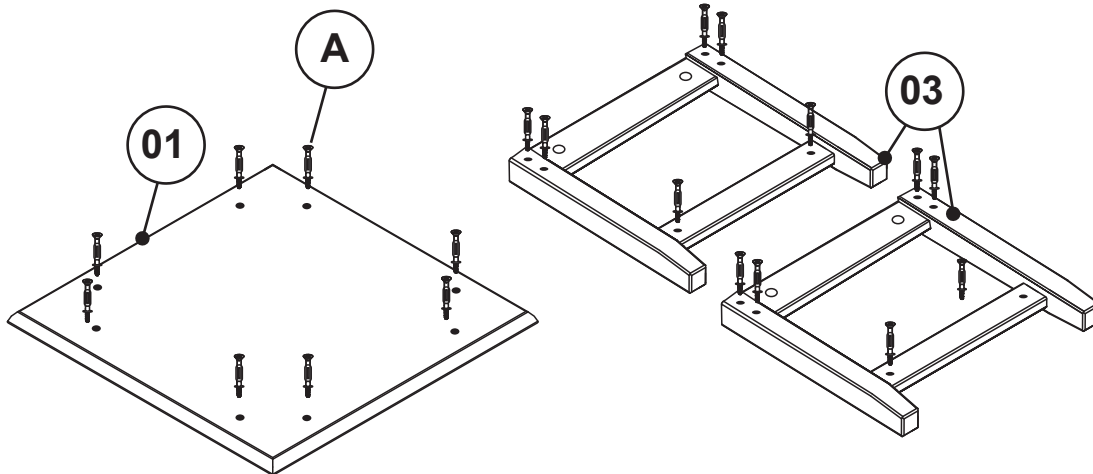
## PARTS LIST

|    |                 |       |
|----|-----------------|-------|
| 01 | TOP PANEL       | 1 PC  |
| 02 | LOWER SHELF     | 1 PC  |
| 03 | SIDE PANEL LEGS | 2 PCS |
| 04 | BACK PANEL      | 1 PC  |
| 05 | FRONT PANEL     | 1 PC  |
| 06 | CHARGE PANEL    | 1 PC  |

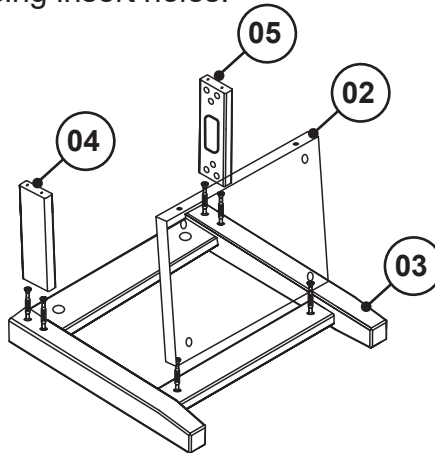


**STEP 1**

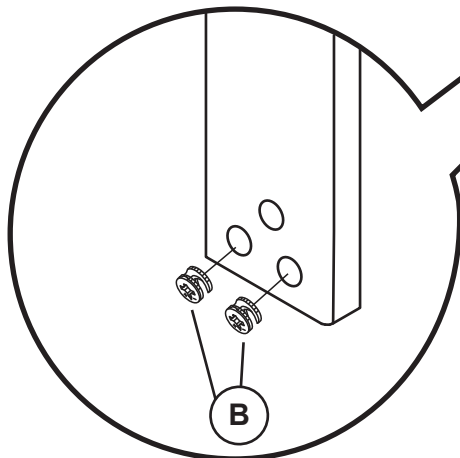
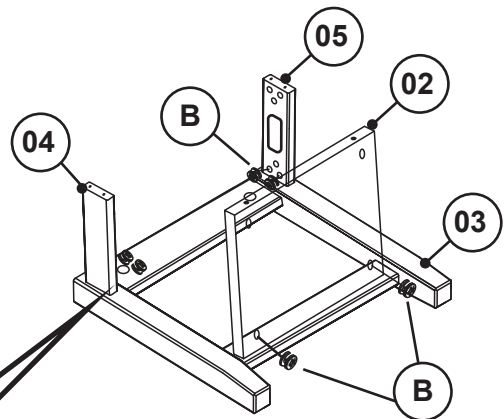
Insert and attach cam screw (A) into the locator holes for top panel (01) and side panel legs (03) as shown below. Screw these in with a phillips head screwdriver (not included).

**STEP 2**

Attach back panel (04), front panel (05), and lower shelf (02) to side panel leg (03) as shown below using insert holes.

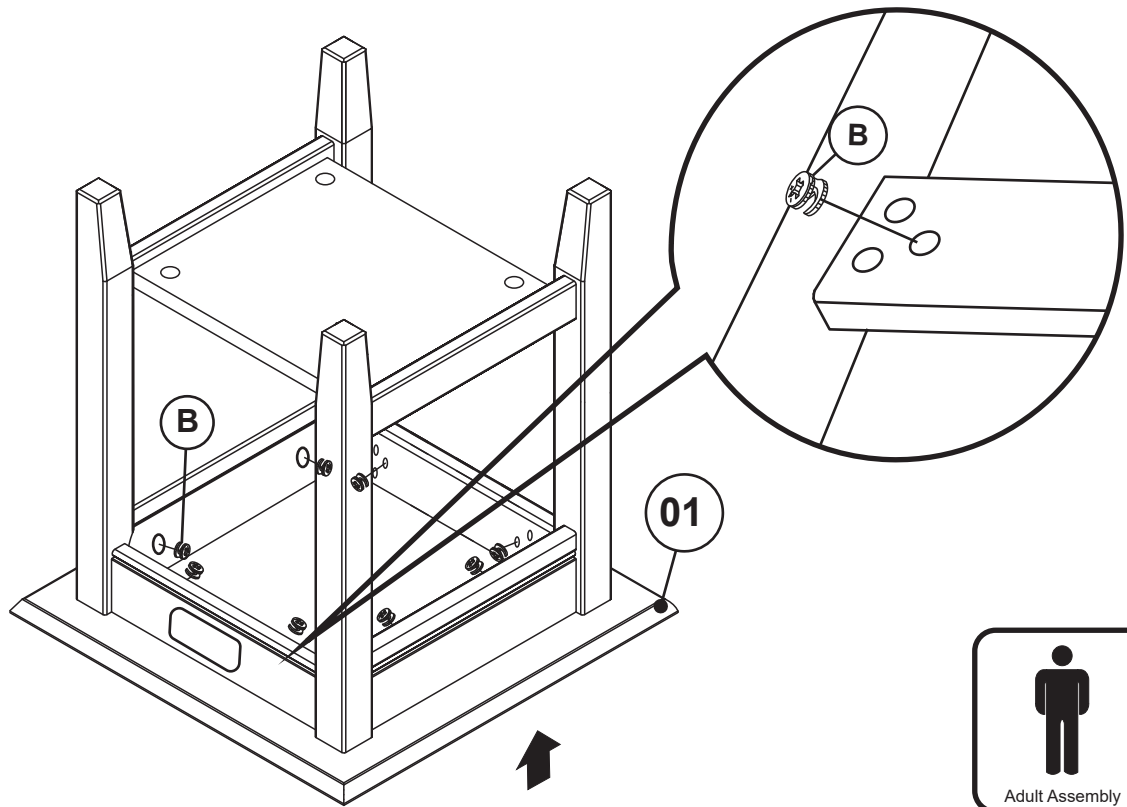
**STEP 3**

Install cam nuts (B) as shown below into the locator holes from Step 2 with a phillips head screwdriver. Repeat with the other side panel leg (03).

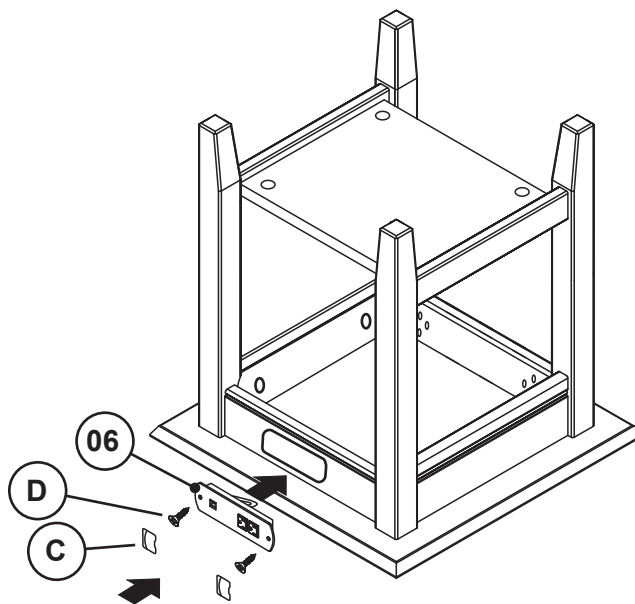


**STEP 4**

Attach top panel (01) as shown below and install cam nuts (B) with a phillips head screwdriver.

**STEP 5**

Attach charge panel (06) as shown below and install using wood screw (D) and plastic cap (C) with a phillips head screwdriver.



**Congratulations !**

Your end table charging station is now ready for use.  
We recommend that you recheck that all screws are tight,  
and that all parts are secure before use and periodically to ensure lasting Safety.