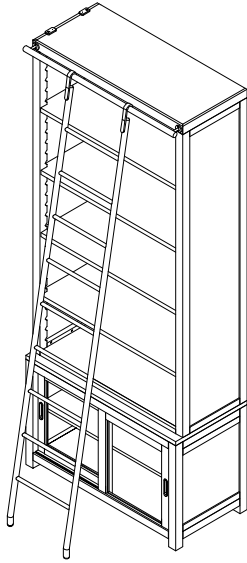
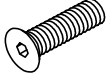


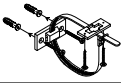
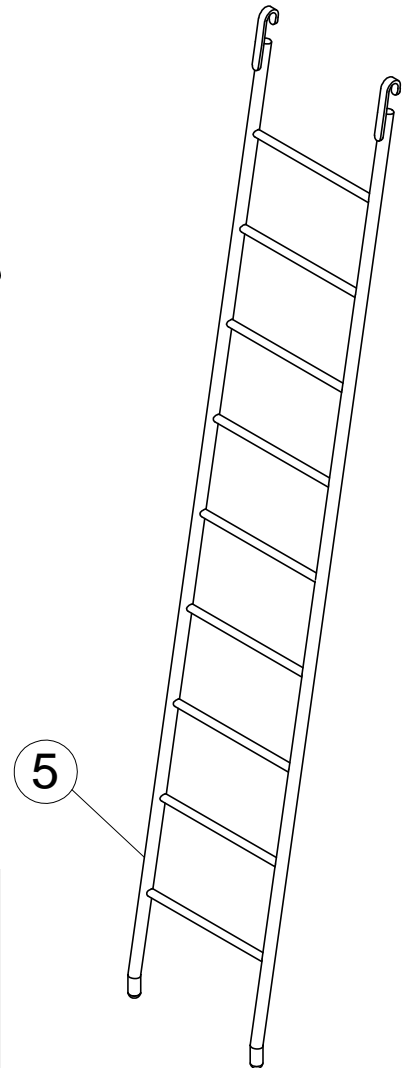
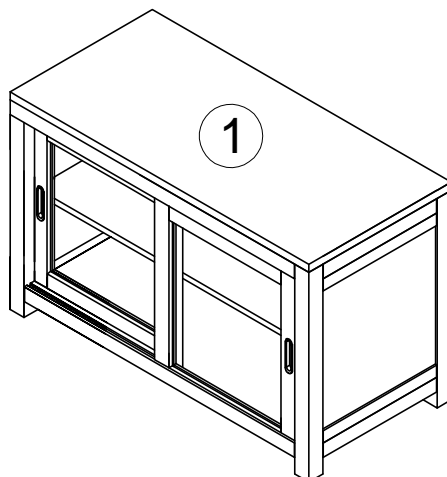
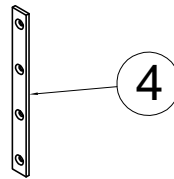
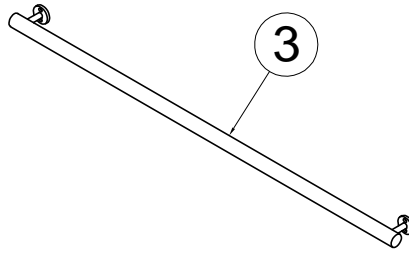
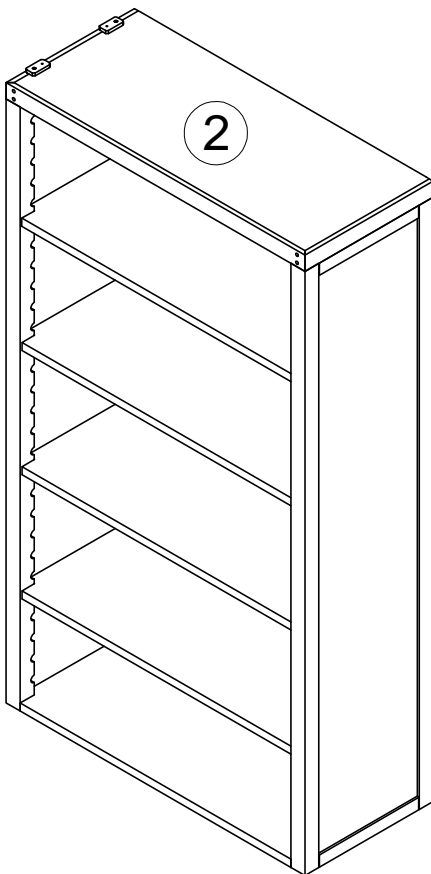


ASSEMBLY INSTRUCTION FOR BOOKCASE

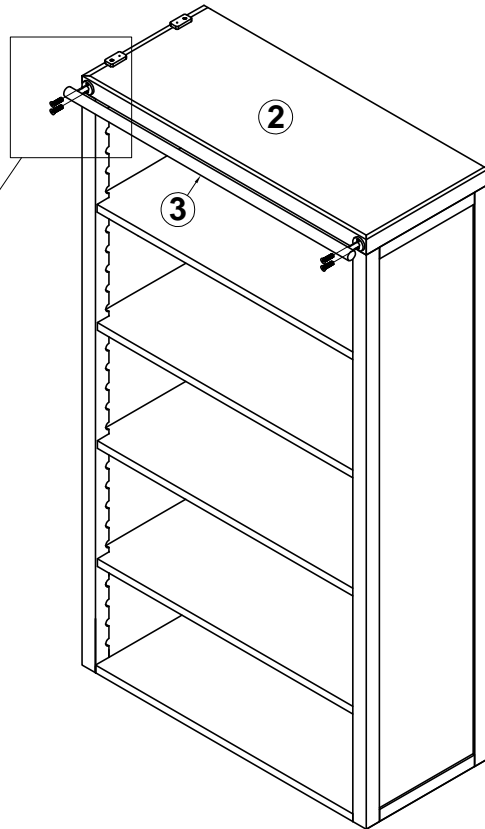
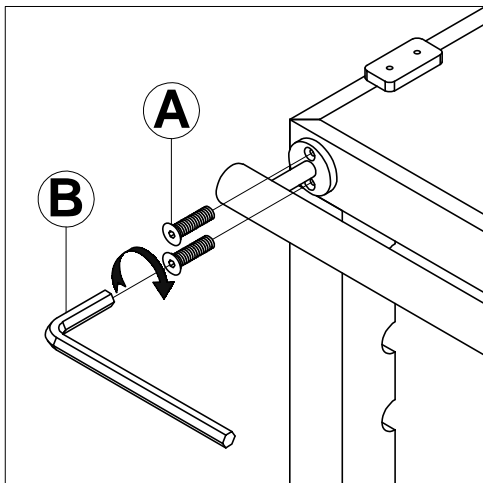


Hardware List

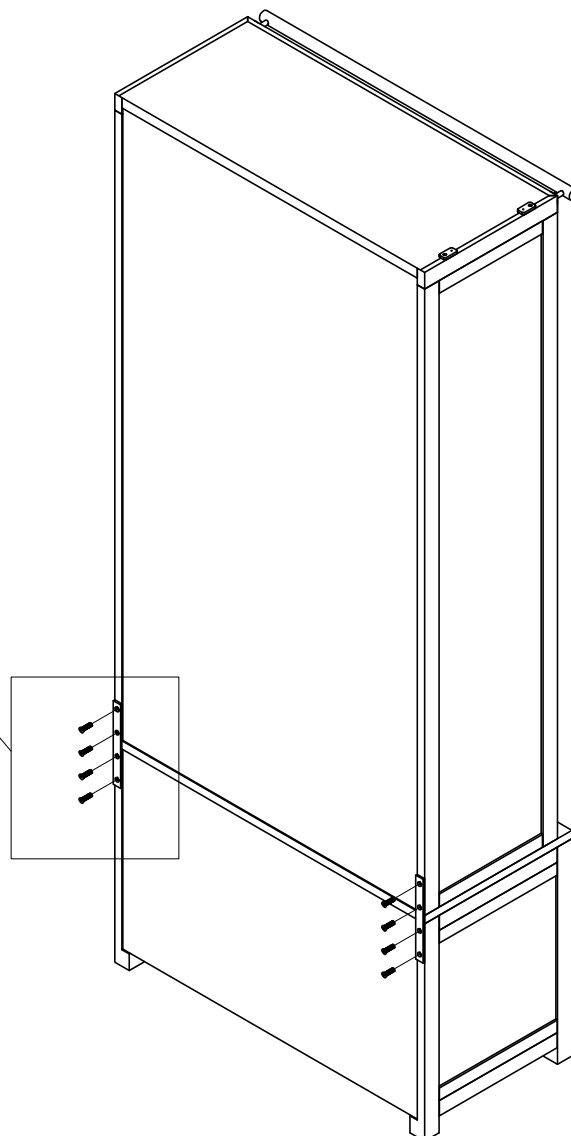
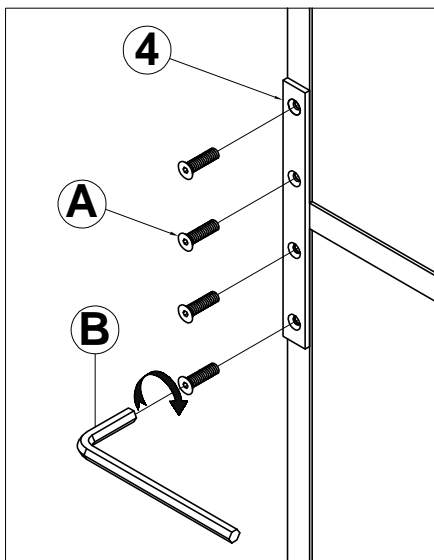
A		Bolt	6x20mm	12
B		Allen Key	4mm	1
C		Screw	4x30mm	2
D		Tipping Hardware		1 set



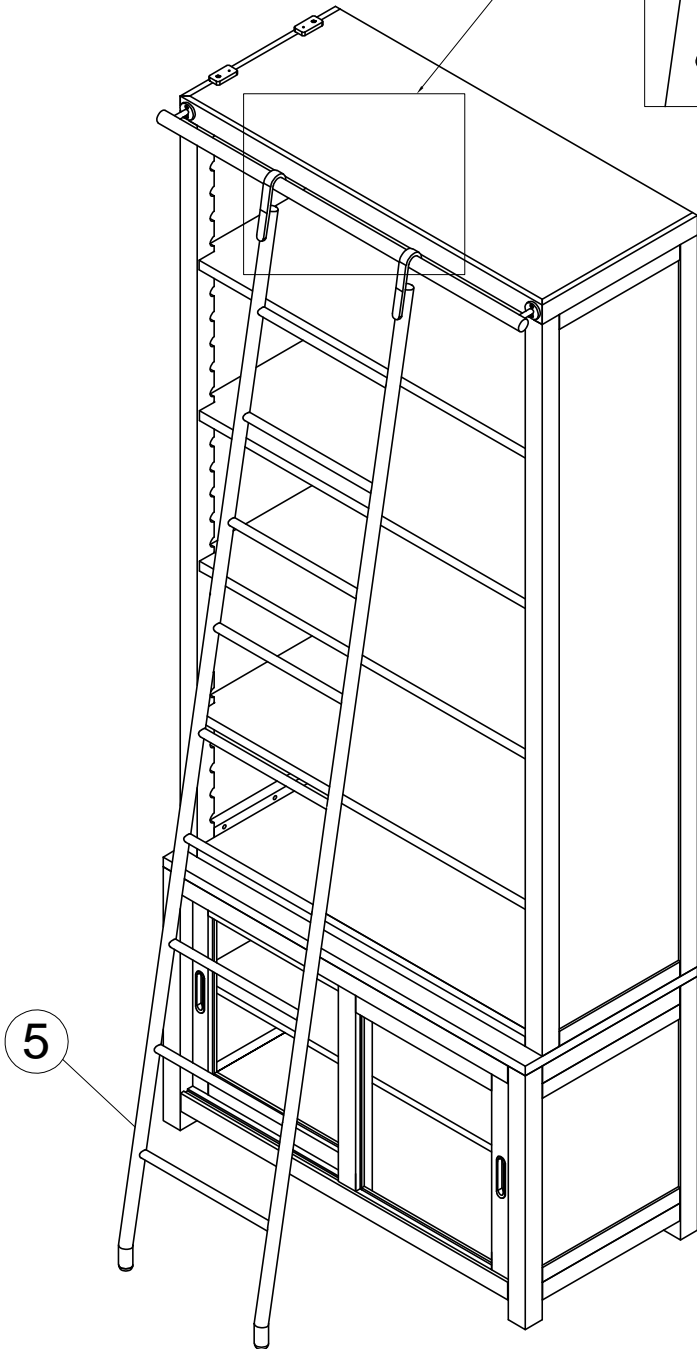
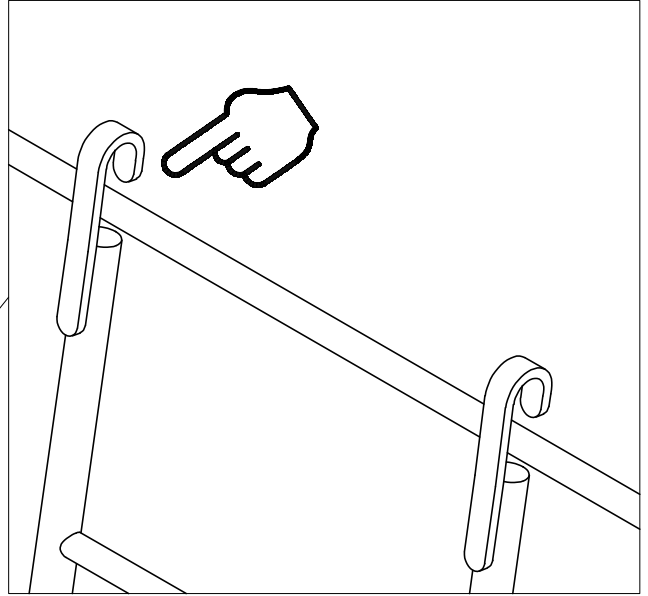
Step 1



Step 2



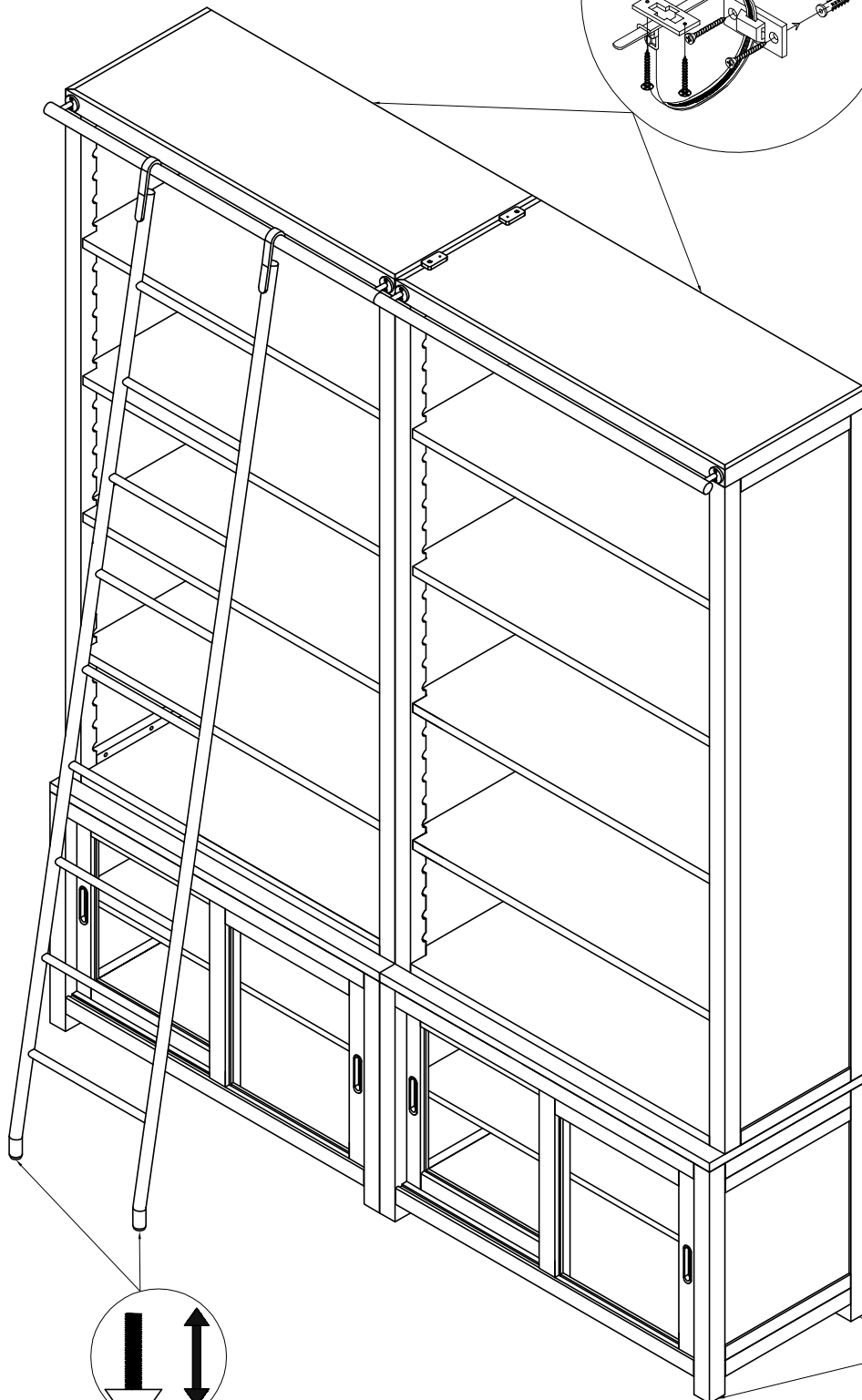
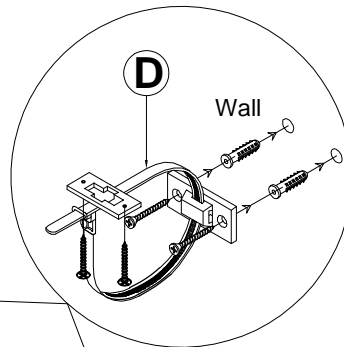
Step 3



Step 4

★ **REMARK:** There is a tip restraint kit provided on the back of this product please read the direction thoroughly and install immediately

Tipping Hardware



Step 5

