

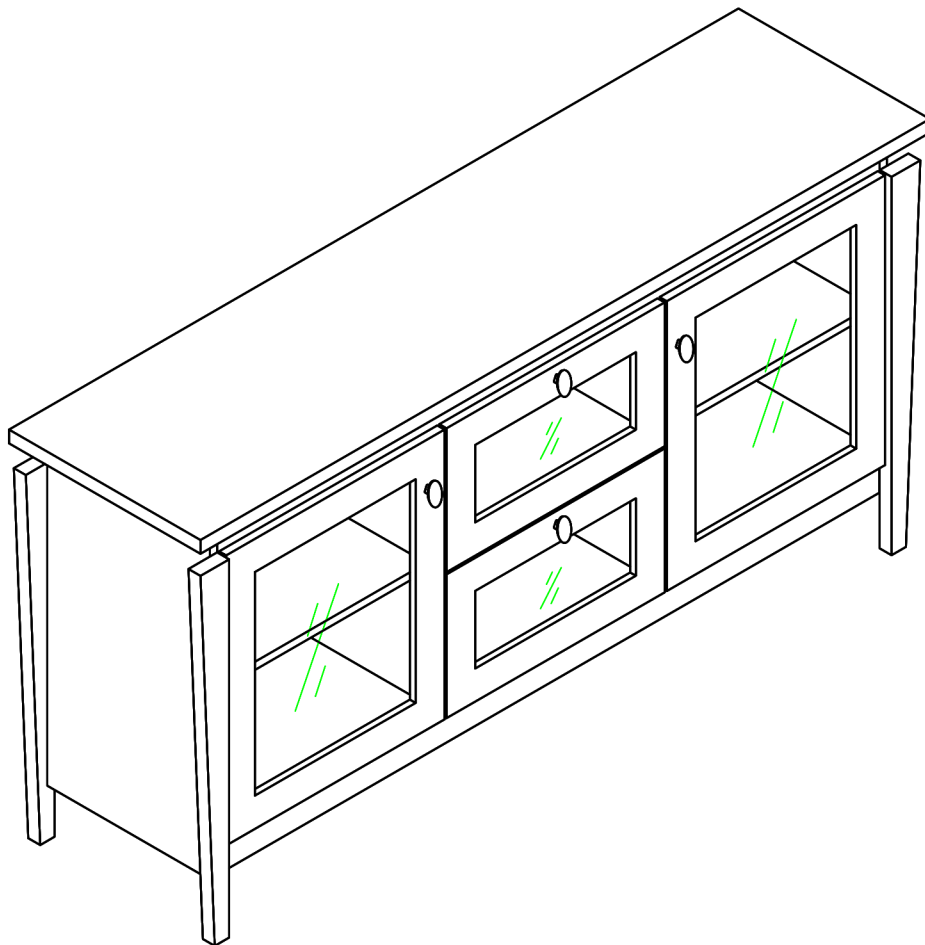
Assembly Instructions

PLEASE READ BEFORE ASSEMBLING!

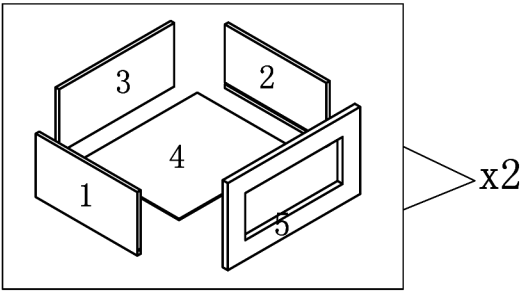
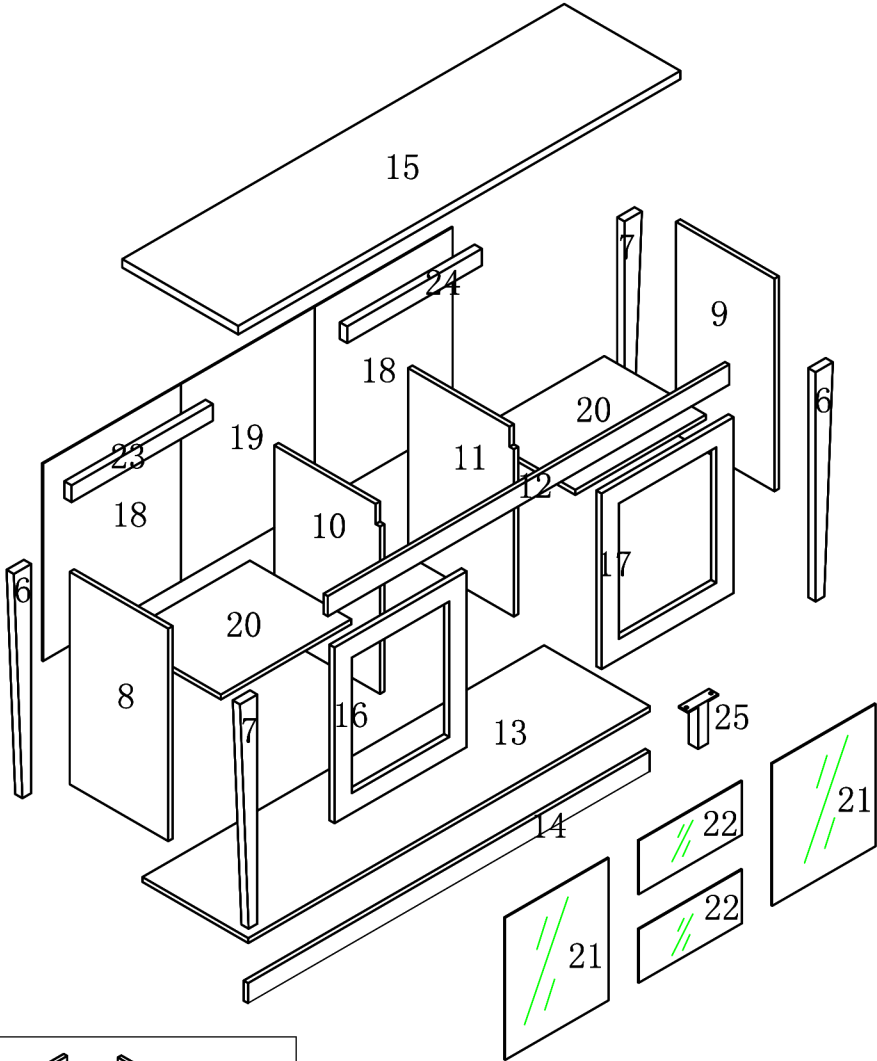
Tip #1: Make sure you've taken all the pieces and hardware out of its packaging before discarding the box.

Tip #2: Using page 2 and/or page 3 of instruction manual make sure all pieces and hardware are accounted for.

Tip #3: Read manual before assembling, it helps!



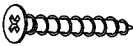
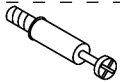



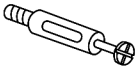

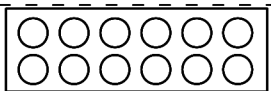
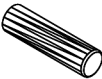
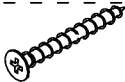


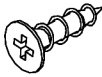
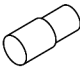




PARTS IDENTIFICATION

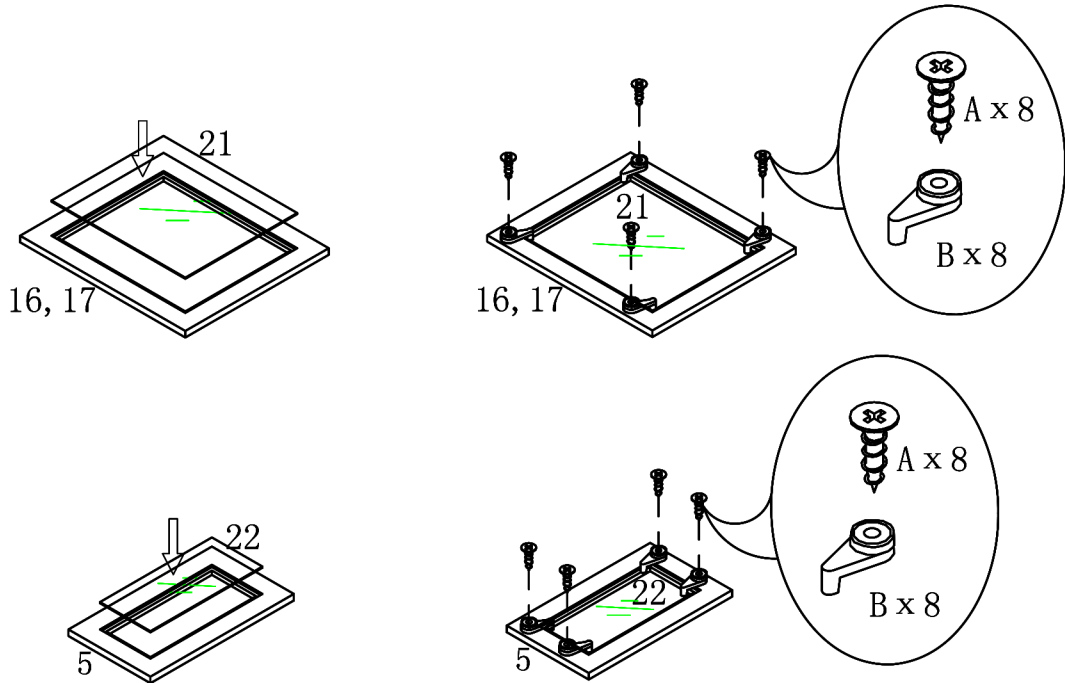


(1)	2pcs	(6)	2pcs	(11)	1pc	(16)	1pc	(21)	2pcs
(2)	2pcs	(7)	2pcs	(12)	1pc	(17)	1pc	(22)	2pcs
(3)	2pcs	(8)	1pc	(13)	1pc	(18)	2pcs	(23)	1pc
(4)	2pcs	(9)	1pc	(14)	1pc	(19)	1pc	(24)	1pc
(5)	2pcs	(10)	1pc	(15)	1pc	(20)	2pcs	(25)	1pc

HARDWARE IDENTIFICATION

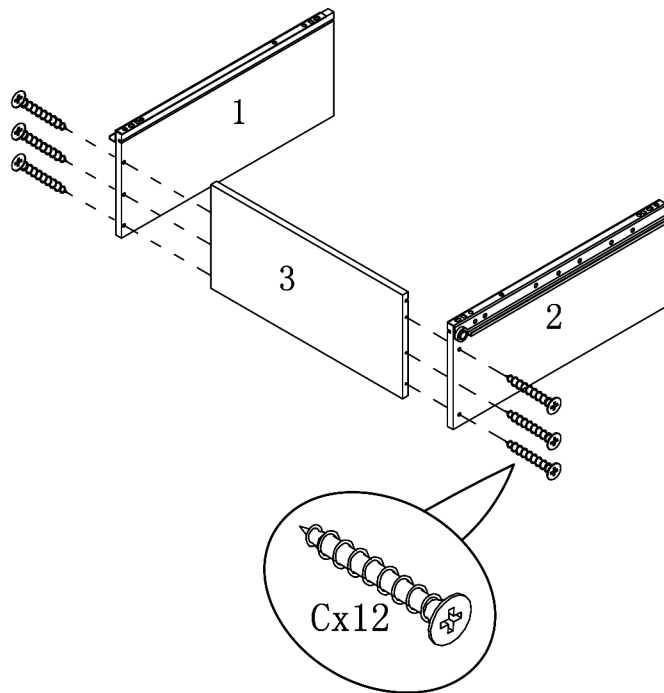
A		$\varnothing 3.5 \times 12$	16pcs
B			16pcs
C		$\varnothing 4 \times 30$	12pcs
D		L20	8pcs
E		$\varnothing 12$	8pcs
F		$\varnothing 4 \times 22$	4pcs
G			4pcs
H		L29	22pcs
I		$\varnothing 15$	22pcs
J		$\varnothing 18$	12pcs
K		$\varnothing 8 \times 25$	24pcs
L		$\varnothing 4 \times 40$	8pcs
M			36pcs
N			4pcs
O		$\varnothing 4 \times 16$	18pcs
P		$\varnothing 5$	8pcs
Q		$\varnothing 6 \times 30$	4pcs
R		It's used for stick the stopper to the connecting hole firmly	1pc

Assembly Instructions

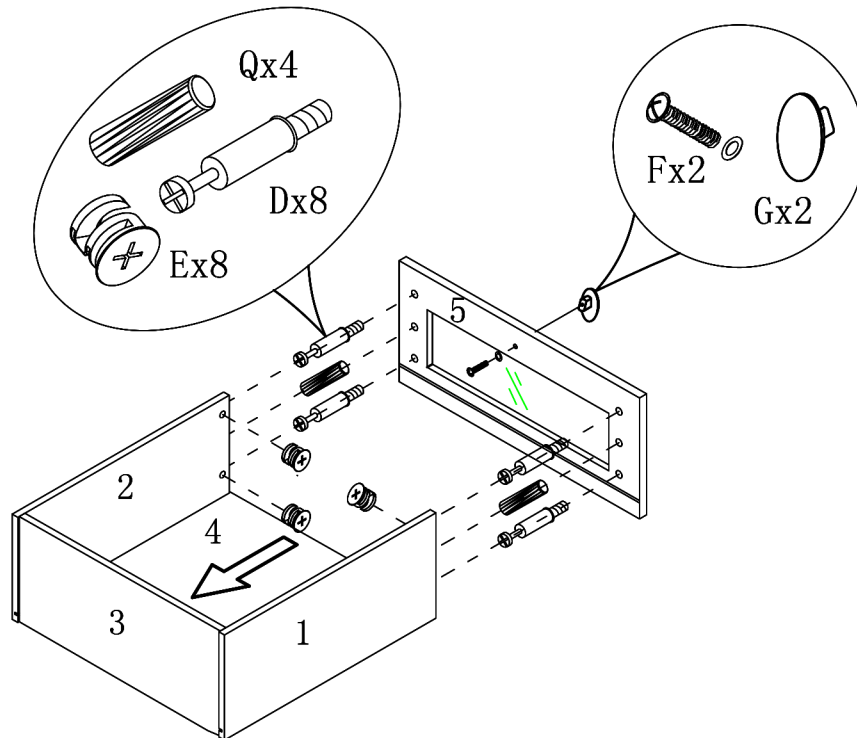


STEP 1

STEP 2

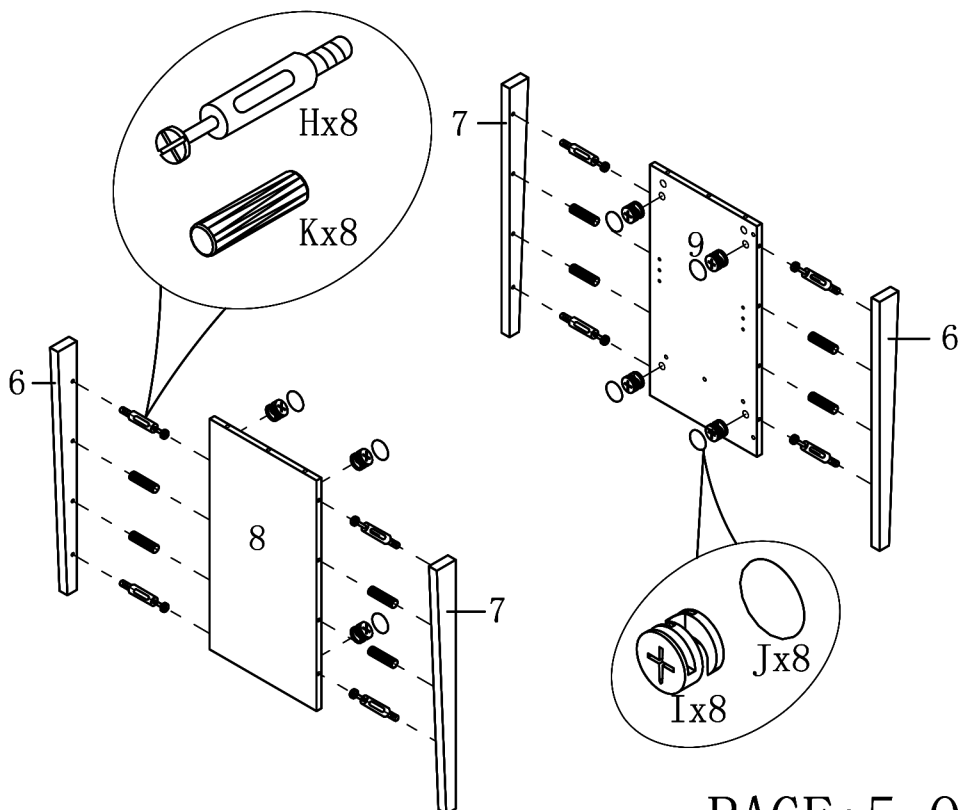


Assembly Instructions

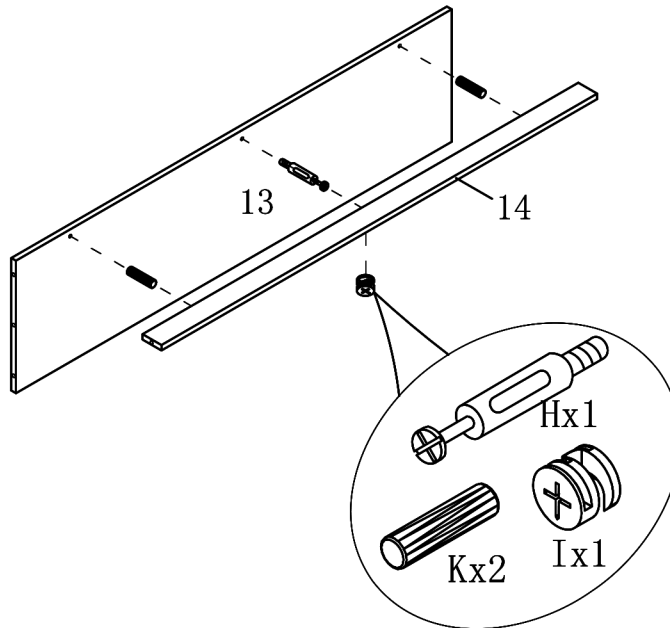


STEP3

STEP4

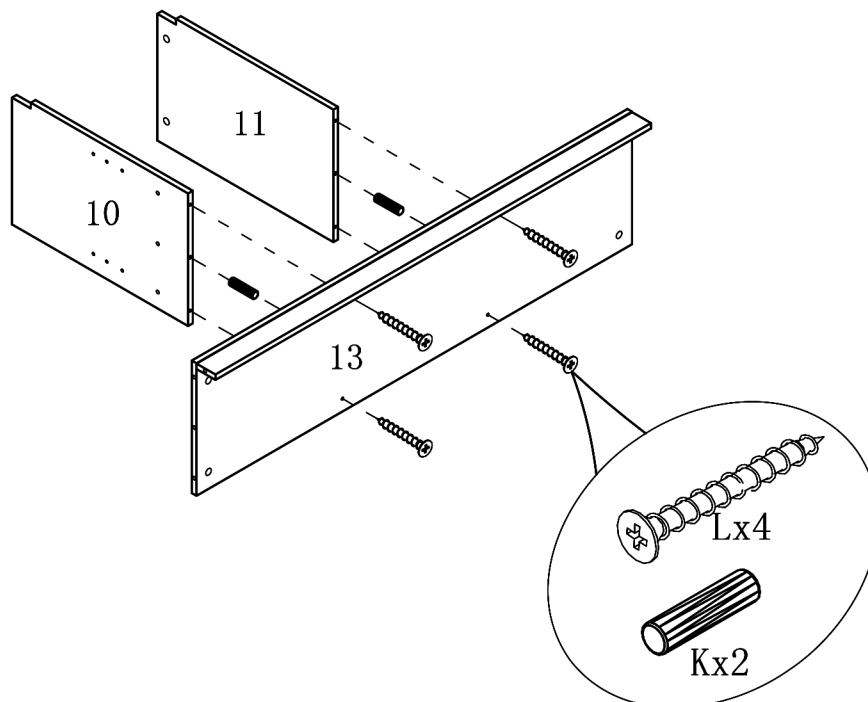


Assembly Instructions

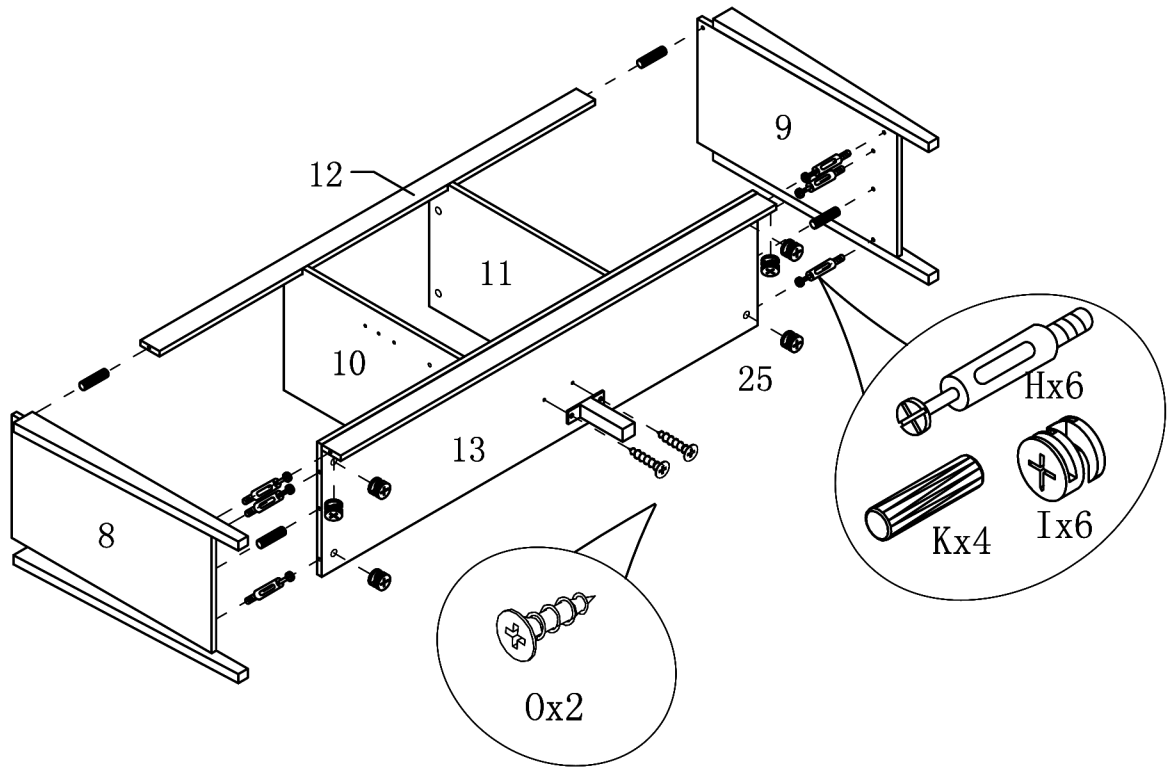


STEP5

STEP6

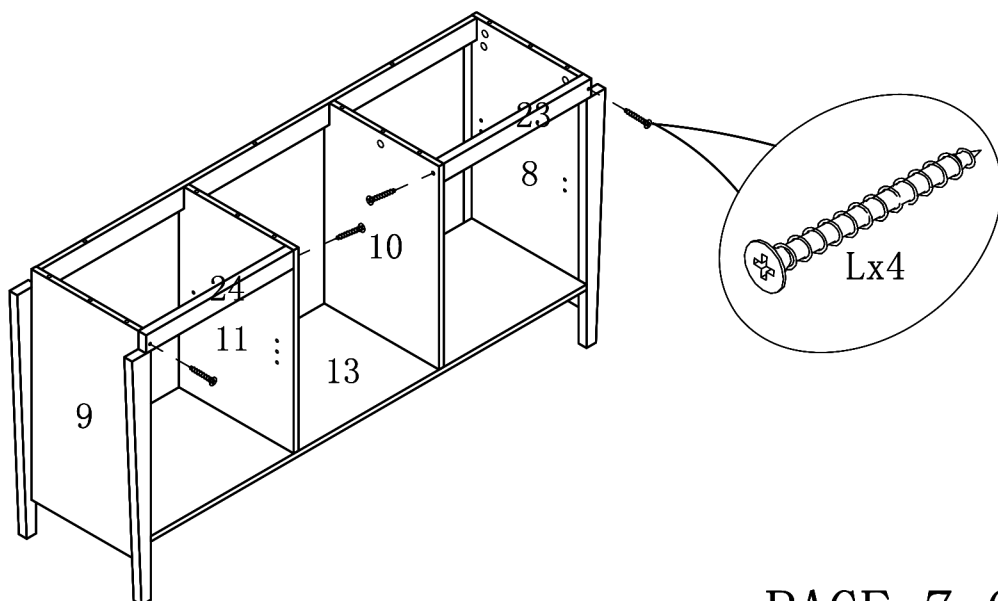


Assembly Instructions

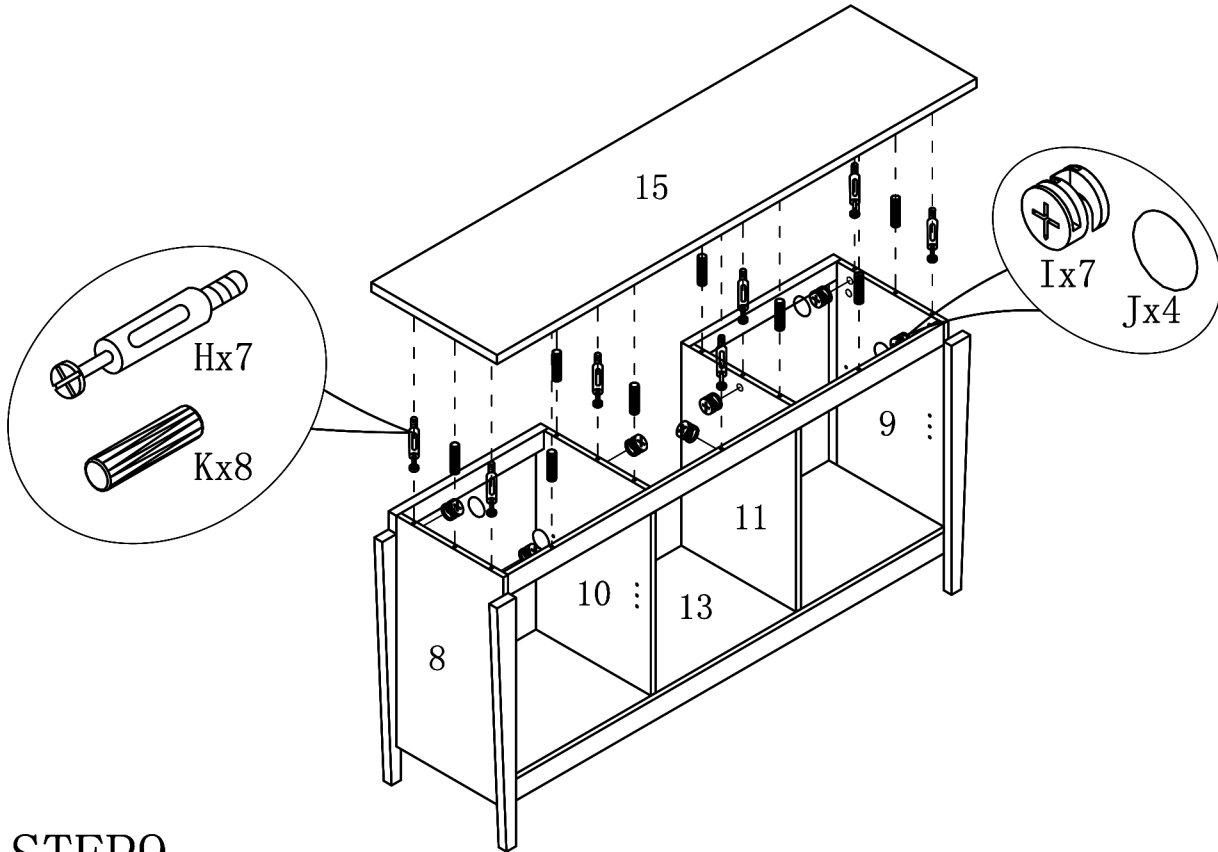


STEP 7

STEP 8

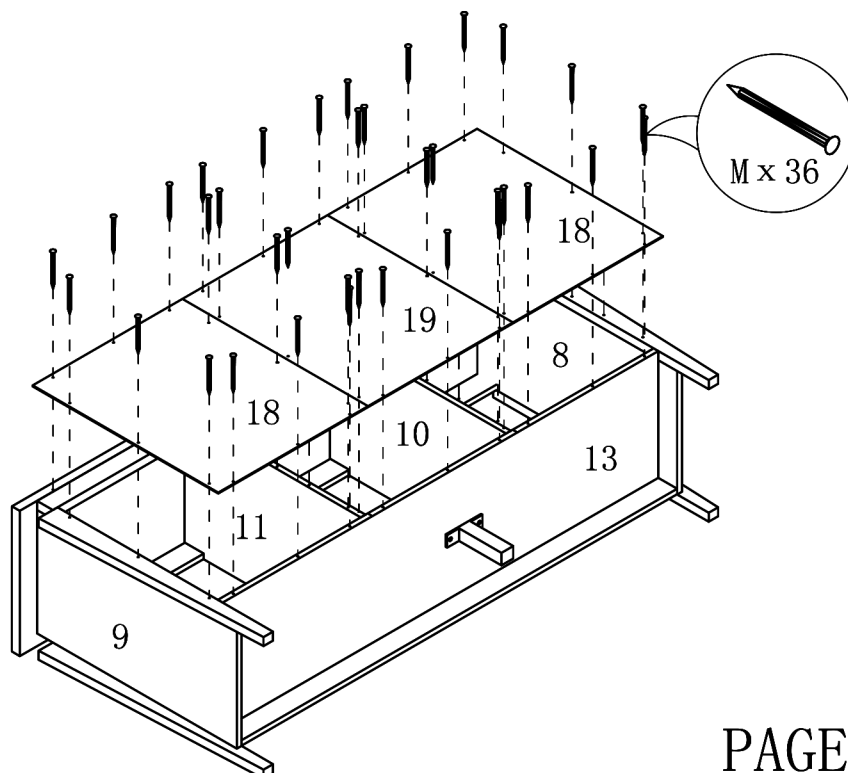


Assembly Instructions

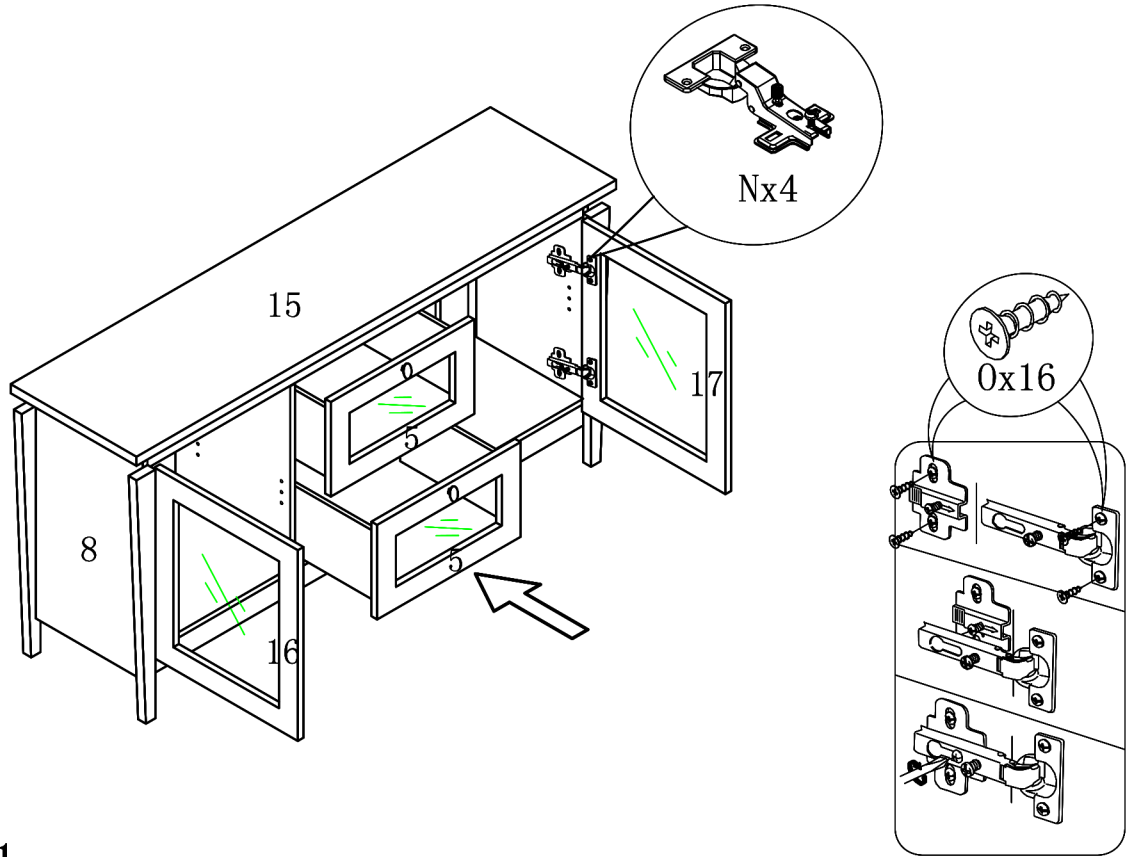


STEP9

STEP10



Assembly Instructions



STEP 11

STEP 12

