

INSTALLATION





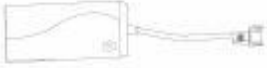
- If you have any questions with the product, please contact us

Assembly Instructions

Your recliner comes packaged in one box. Carefully remove all of components from the packaging and set aside for assembly.

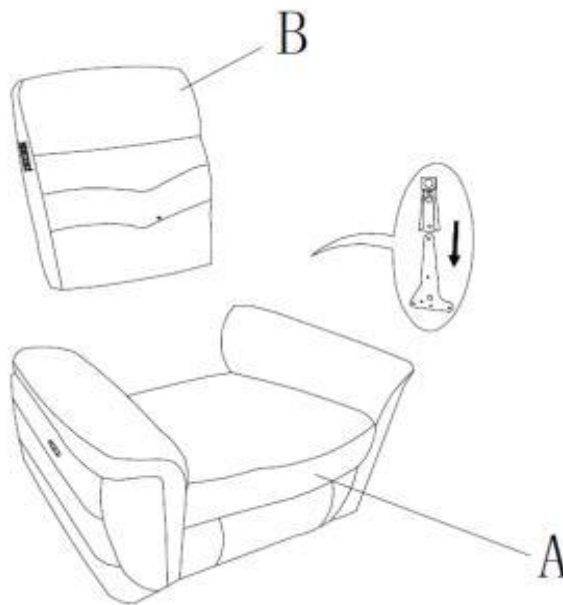
CAUTION:
DO NOT use any sharp objects to open plastic wrapped components as damage to product or components may result.

Package Contents

				
A 1*Seat	B 1*Chair Back	C/D 2*Armrests	E 1*Wire Plug	F 1 *Transformer

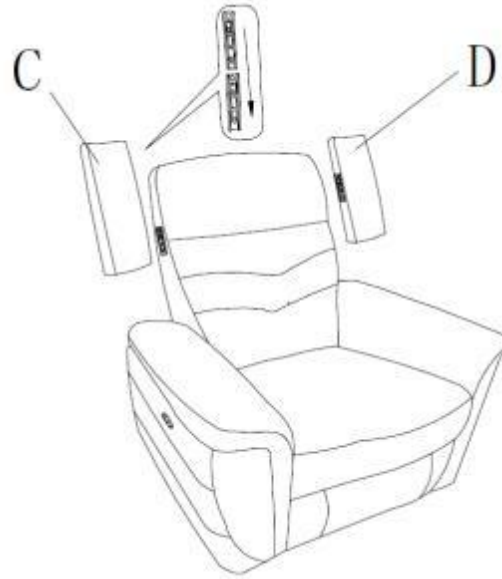
STEP 1:

Attach the **Backrest (B)** to the **Seat (A)** via the metal slide, and make sure it is securely attached before use.



STEP 2:

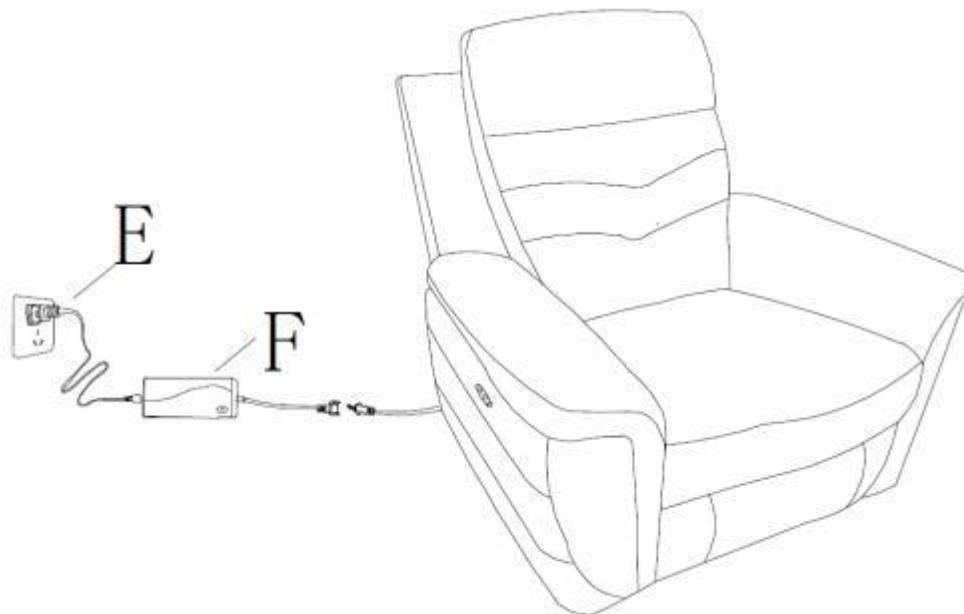
Install the **Backrest Additional Accessories (C,D)** on both sides of the **Backrest (B)** through the metal slide, and make sure it is firmly installed before use.



STEP 3:

Note: You must ensure that your hands are dry during the process.

First, connect the **Transformer (F)** to your recliner and fasten the safety buckle, followed by the **Power Cord (E)** connected to the **Transformer (F)**, and finally the power line that has been installed to power on.



Warnings

1. Please check if the components of the chair are all included and can be used normally as the 5th tip.
2. Assemble all components according to the instruction correctly before you connect the chair with the power.
3. Please DO NOT sit on the armrests and footrest to eliminate the risk of tipping over.
4. If the sofa is damaged or doesn't match the website product, please send clear pictures of the product and label of the carton to our service team, and we'll help you to solve the problem.
5. If the recliner doesn't work, you can try the following measures for self-checking firstly:
 - ① Check if all the cable are connected;
 - ② Check if the light of transformer is on.If the chair still doesn't work, please feed the information back to the customer service in time. We will help solve the problem for you as soon as possible.
6. If you have any questions with the product, please contact us

