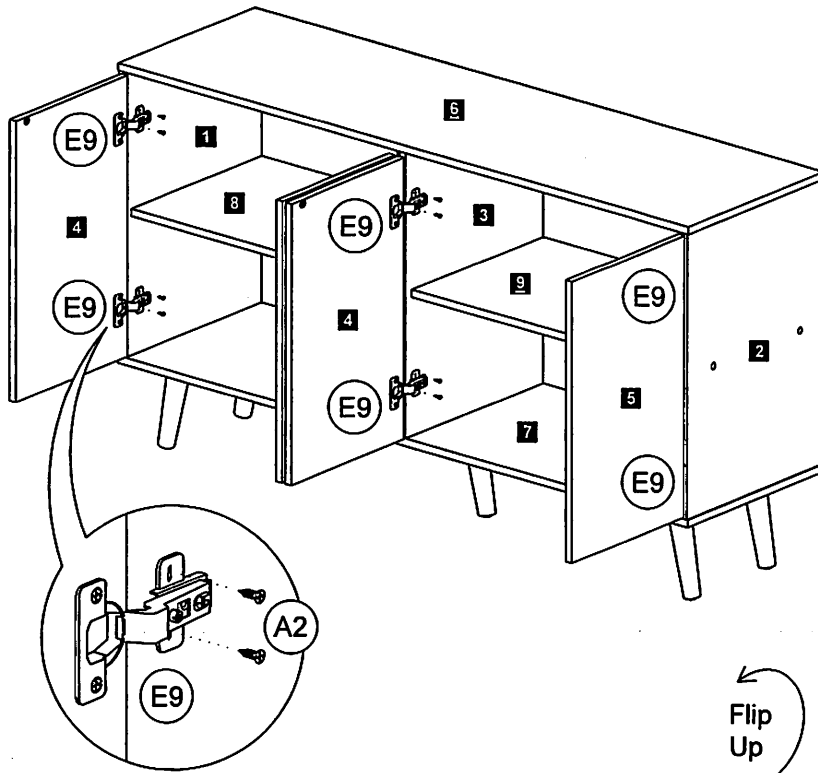
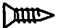



STEP 11



A2		Screw m3.5 x 14mm	16 pcs
E9		Door Hinges 7/8	8 pcs

THANK YOU

We hope you enjoy your new purchase.

We have personally inspected this product.

In the event that you need any additional help for any reason,

Please do not hesitate to contact use at: 973-473-5068

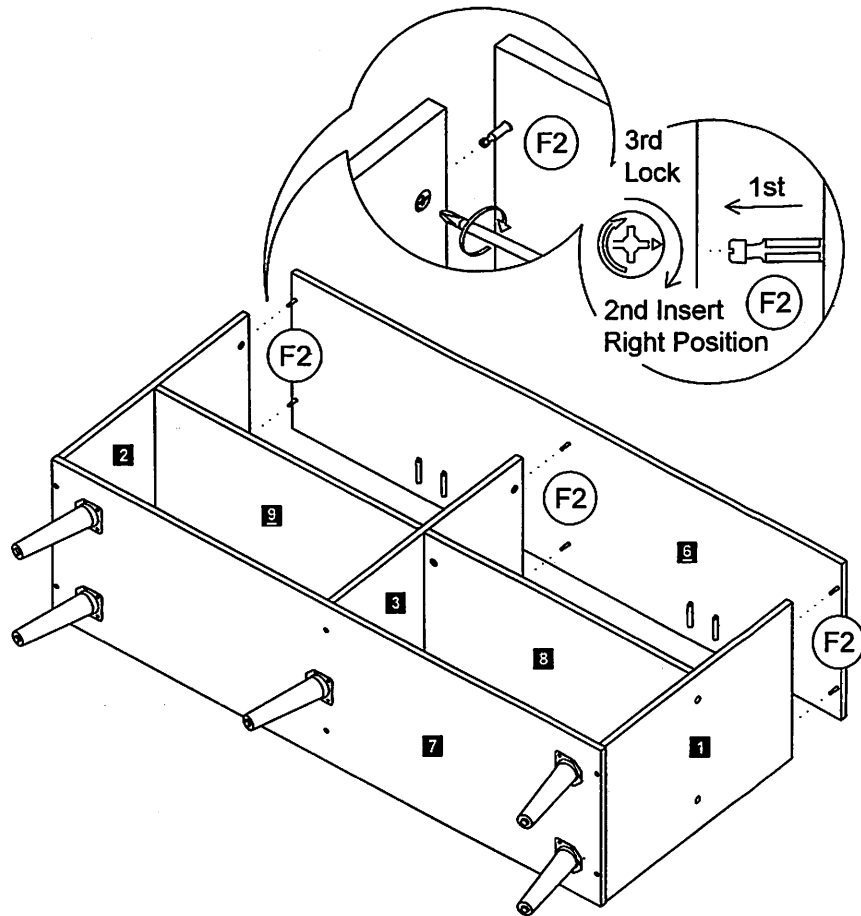
Email maria@better-homeproducts.com

See our website Woodpeckers-furniture.com

Better Home Products
323 Cortland Street
Belleville New Jersey

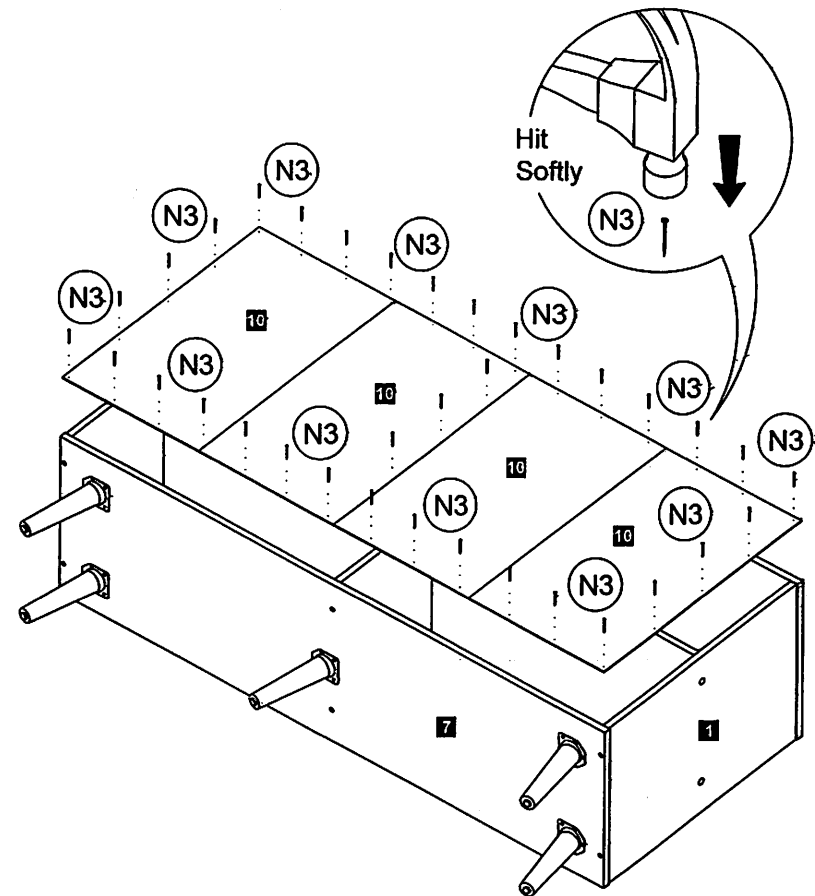
Thank you

STEP 9



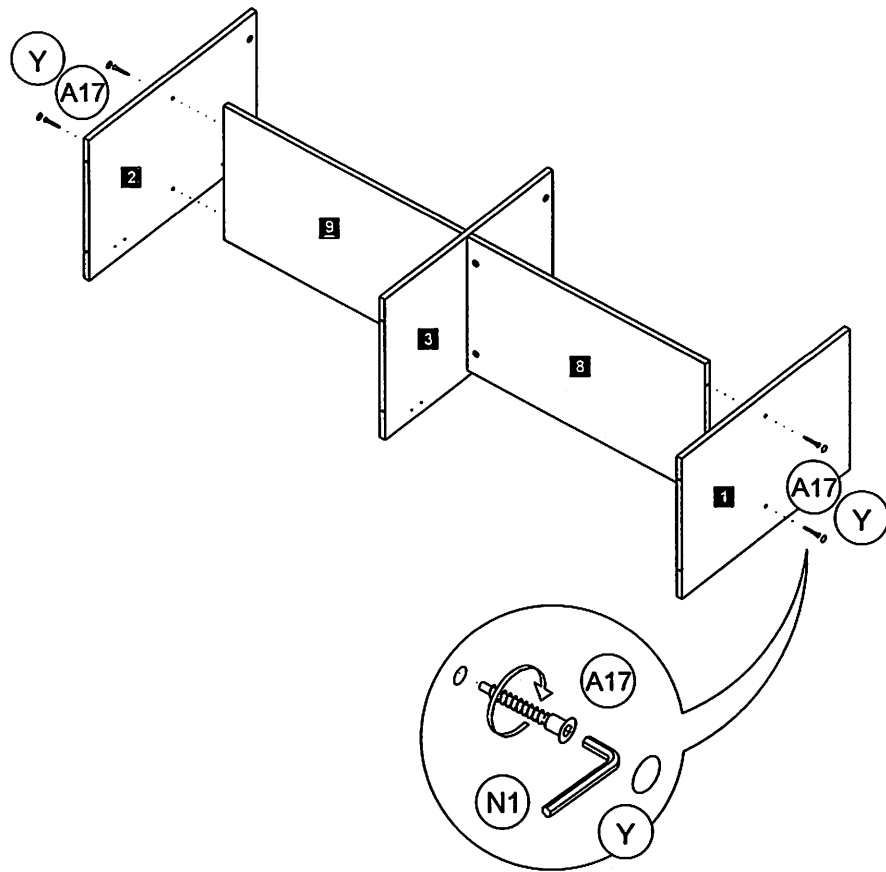
F2		Mini Fix 15mm	6 sets
----	--	---------------	--------

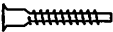


STEP 10



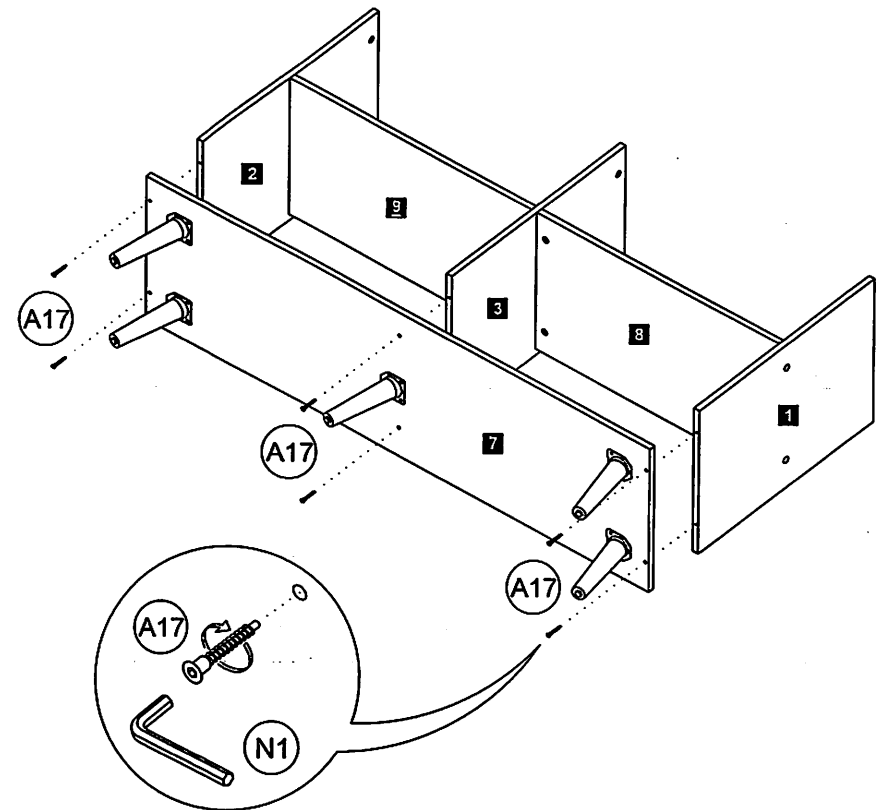
N3		Nail	35 (+-3) pcs
----	--	------	--------------

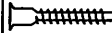
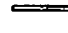
STEP 7



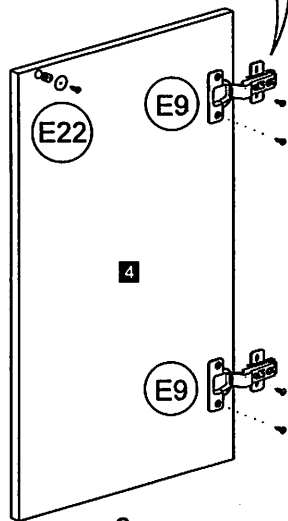
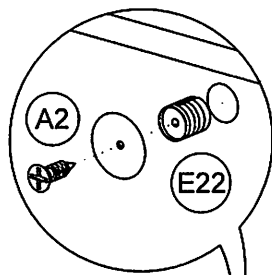
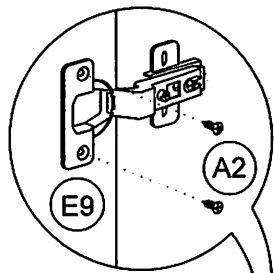
A17		Crosshead Screw m6.3 x 40mm	4 pcs
N1		Allen Key	1 pc
Y		Crosshead Cover	4 pcs

STEP 8

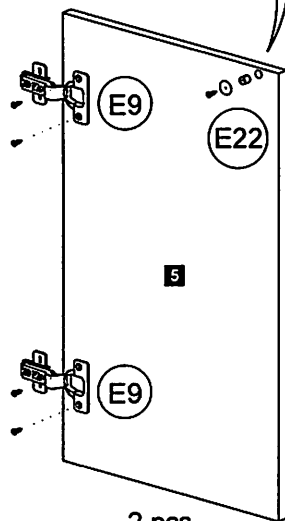


A17		Crosshead Screw m6.3 x 40mm	6 pcs
N1		Allen Key	1 pc




STEP 5



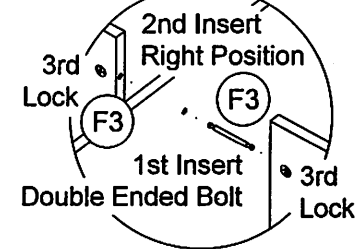
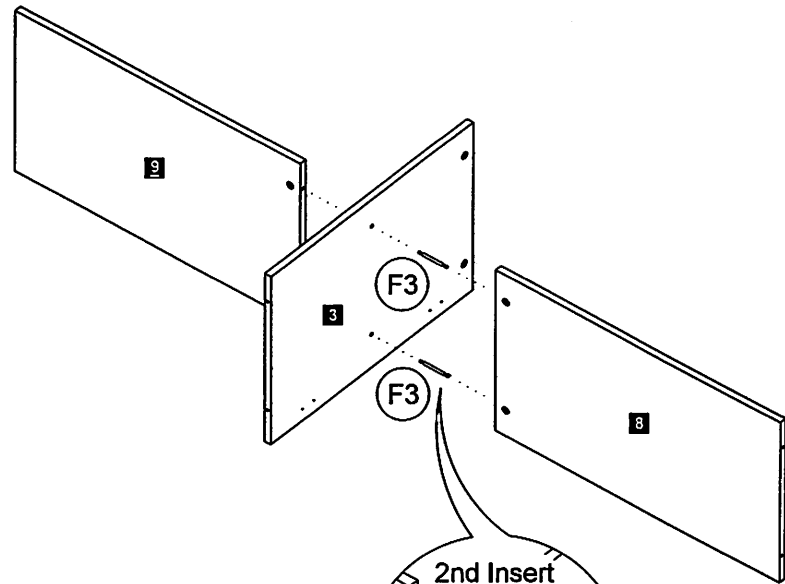
2 pcs



2 pcs

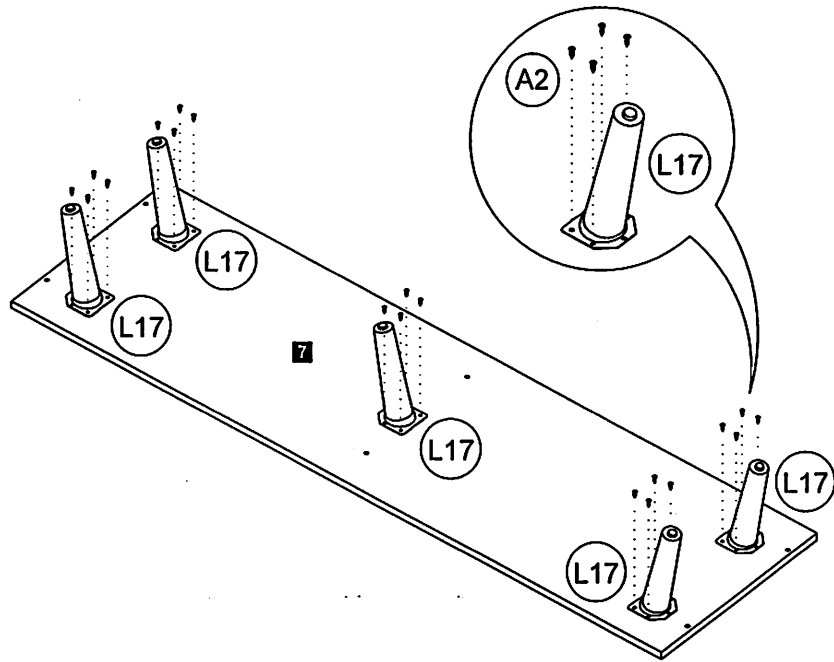
A2		Screw m3.5 x 14mm	16 pcs
E9		Door Hinges 7/8	8 pcs
E22		Magnetic Catch Damper Buffers	4 sets



STEP 6



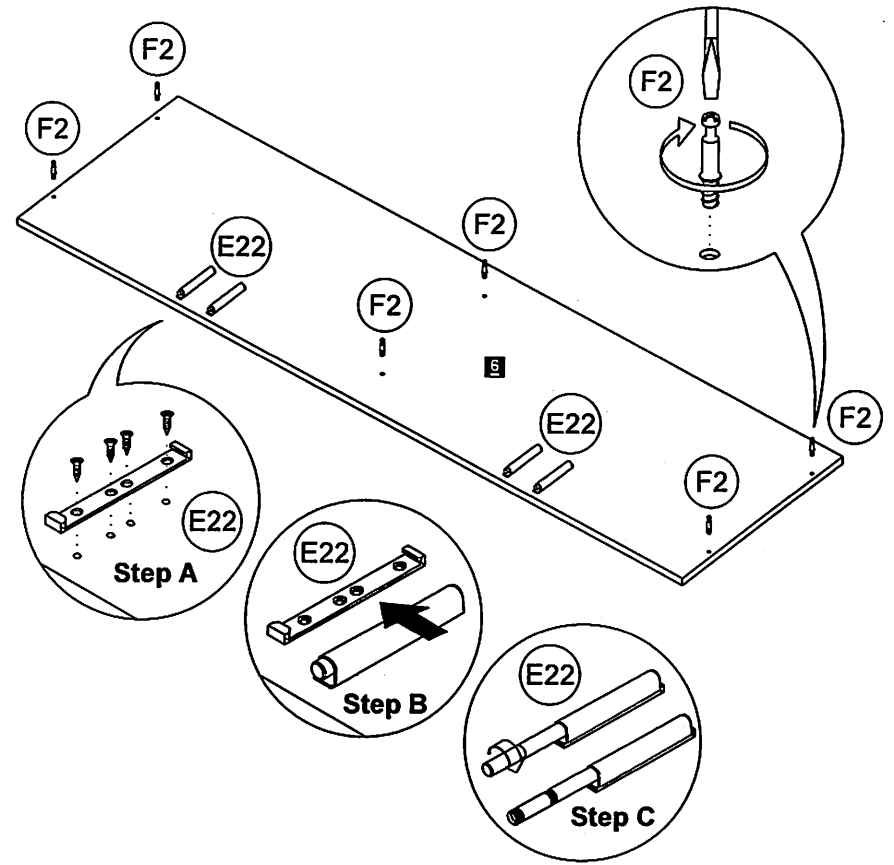
F3		Mini Fix Double End Bolt 64mm	2 sets
----	---	-------------------------------	--------




STEP 3



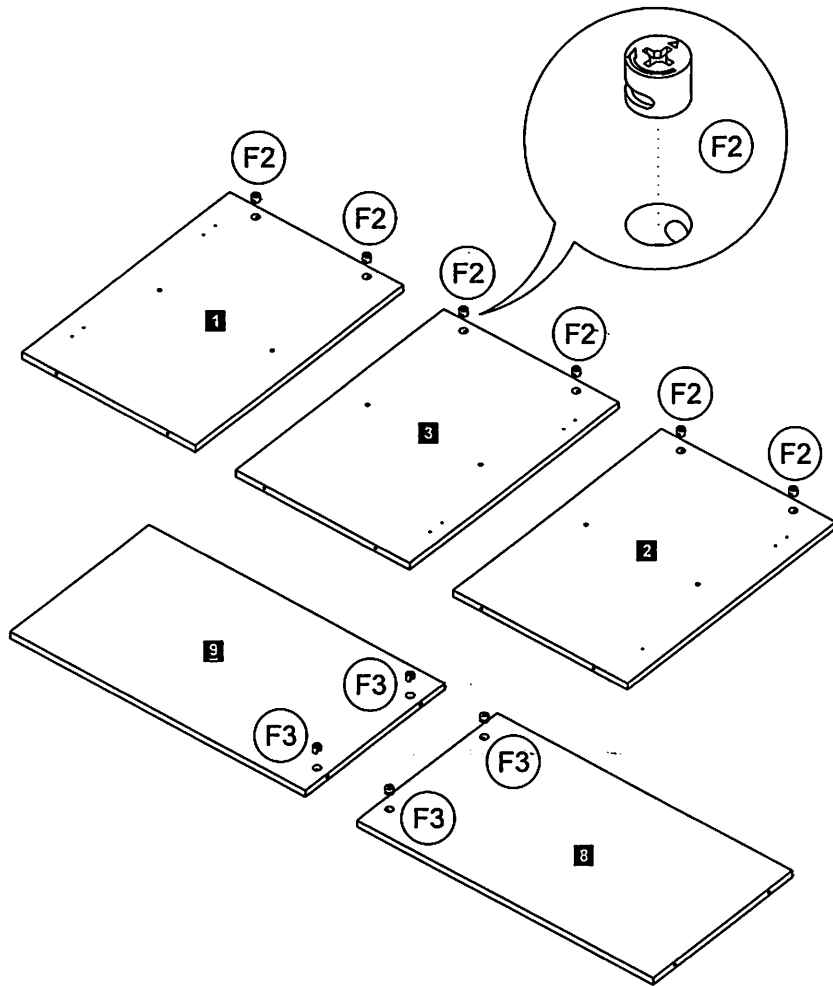
A2		Screw m3.5 x 14mm	20 pcs
L17		Wood Leg 170mm	5 pcs

STEP 4



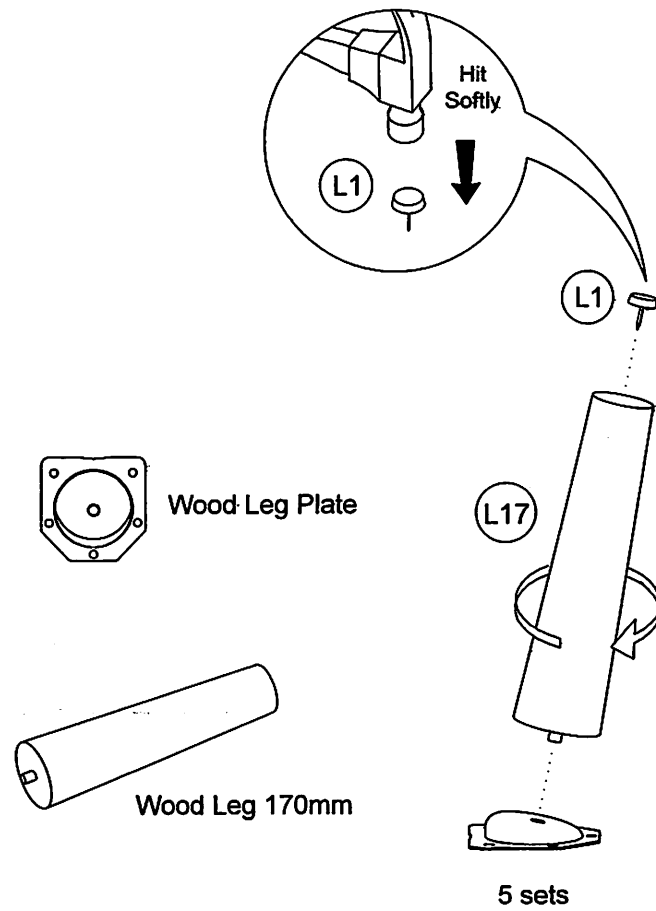
A2		Screw m3.5 x 14mm	16 pcs
E22		Magnetic Catch Damper Buffers	4 sets
F2		Mini Fix Bolt	6 pcs

STEP 1



F2		Mini Fix Cam	6 pcs
F3		Mini Fix Cam	4 pcs

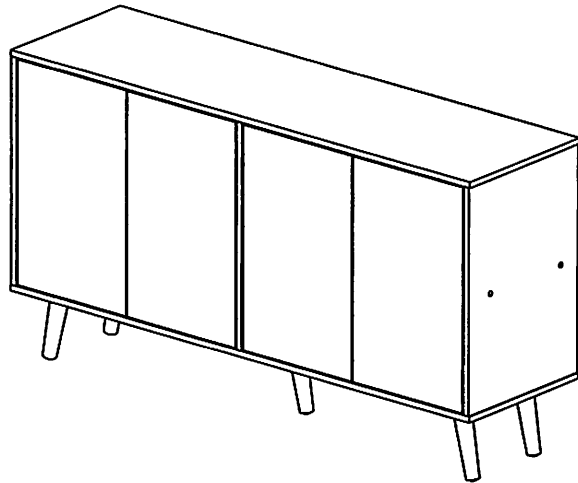
STEP 2



L1		Leg Pin	5 pcs
L17		Wood Leg 170mm	5 pcs

BETTER HOME PRODUCTS ASSEMBLY INSTRUCTIONS

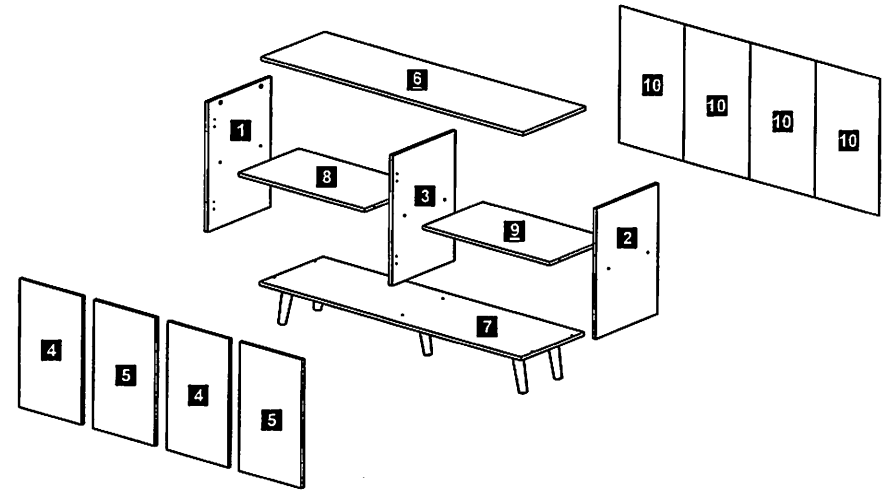
3209



Hardware List			
A2		Screw m3.5 x 14mm	68 pcs
A17		Screw m6.3 x 40mm	10 pcs
E9		Door Hinge 7/8	8 pcs
E22		Magnetic Catch Damper Buffers	4 sets
F2		Mini Fix 15mm	6 sets
F3		Mini Fix Double End Bolt 64mm	2 sets
L1		Leg Pin	5 pcs
L17		Wood Leg 170mm	5 pcs
N1		Allen Key	1 pc
N3		Nail	35 (+-3) pcs
Y		Crosshead Cover	4 pcs

MADE IN MALAYSIA

Page 1/14



Parts List		
1	Side Panel (L)	1 pc
2	Side Panel (R)	1 pc
3	Center Panel	1 pc
4	Door Panel (L)	2 pcs
5	Door Panel (R)	2 pcs
6	Top Panel	1 pc
7	Bottom Panel	1 pc
8	Big Shelf Panel (L)	1 pc
9	Big Shelf Panel (R)	1 pc
10	Backboard	4 pcs

EACH PART IS LABELLED ACCORDING TO THE PARTS LIST



Before starting assembly
please verify if all parts and
hardware are included

MADE IN MALAYSIA

Page 2/14