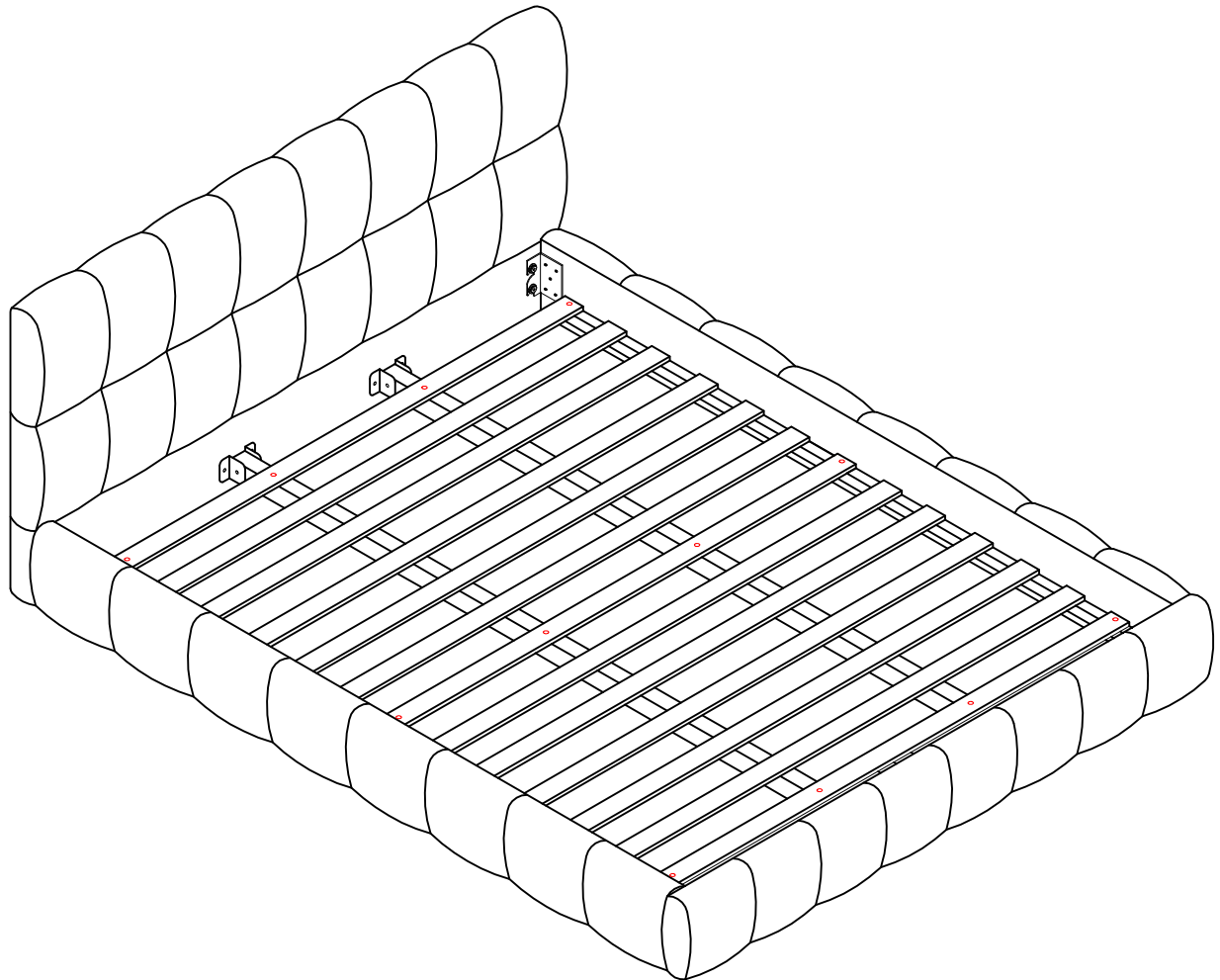


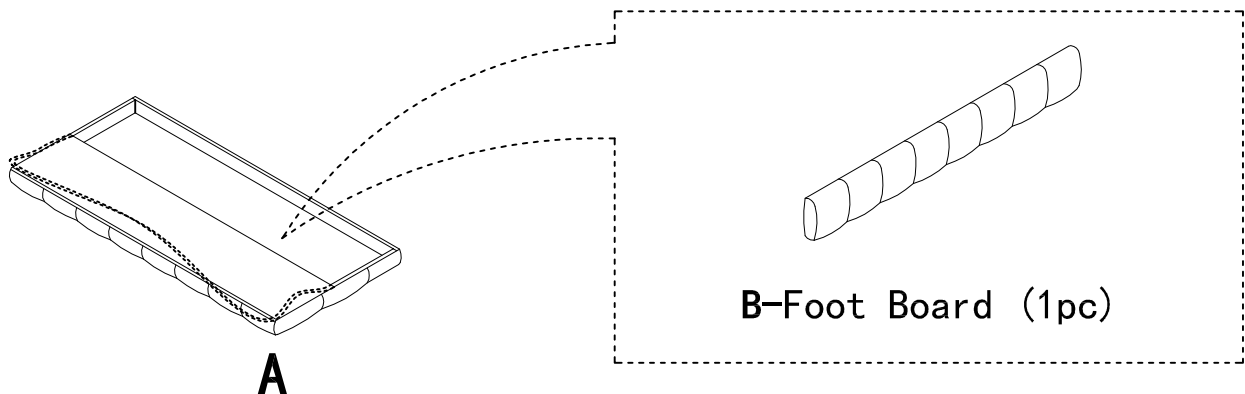
# ASSEMBLY INSTRUCTIONS

## B2620 K /CK



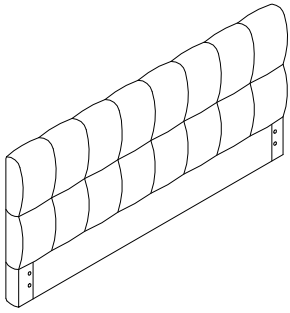
NOTE: The slats are stored at the bottom of Section A

STEP : Packing Details

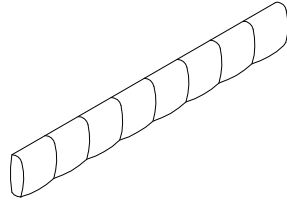


# PARTS AND HARDWARE

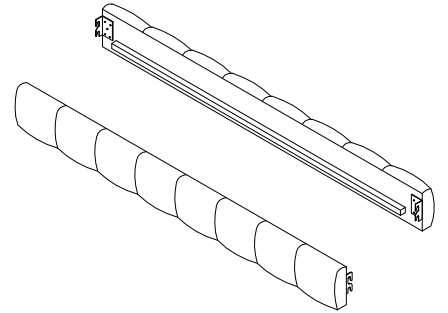
## Parts List



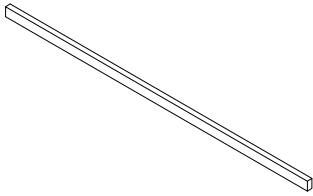
**A-HeadBoard (1pc)**



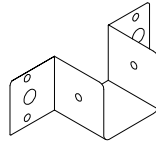
**B-Foot Board (1pc)**



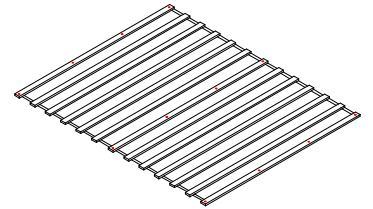
**C-Side Rails (2pcs)**



**D-Center Support Bar (2pcs)**

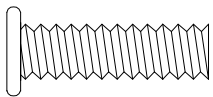


**E- (4pcs)**

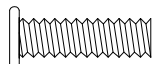


**F-Slats (13pcs)**

## HARDWARE LIST:



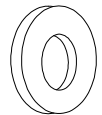
**m8\*30**  
1 -Bolt (8pcs)



**m6\*25**  
2 -Bolt (8pcs)



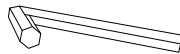
**m8**  
3 -Spring Washer (8pcs)



**m8\*16**  
4 -Flat Washer (8pcs)



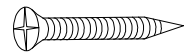
**m6\*16**  
5 -Flat Washer (8pcs)



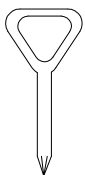
**m8**  
6 -Allen Key (1pcs)



**m6**  
7 -Allen Key (1pcs)



**M4\*25**  
8 - Screw (12pcs)



**9 -Allen Key (1pcs)**

# ASSEMBLY INSTRUCTIONS

## STEP 1:



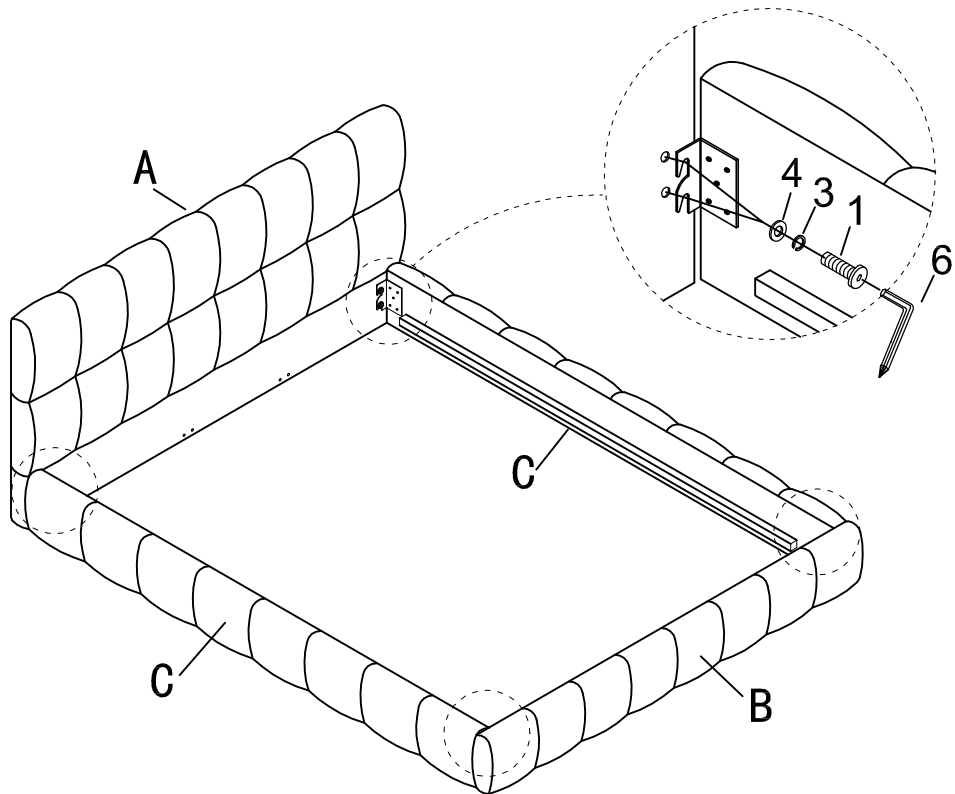
m8\*30  
1 -Bolt (8pcs)



3 -Spring Washer  
(8 pcs)



m8\*16  
4 -Flat Washer  
(8pcs)



## STEP 2:



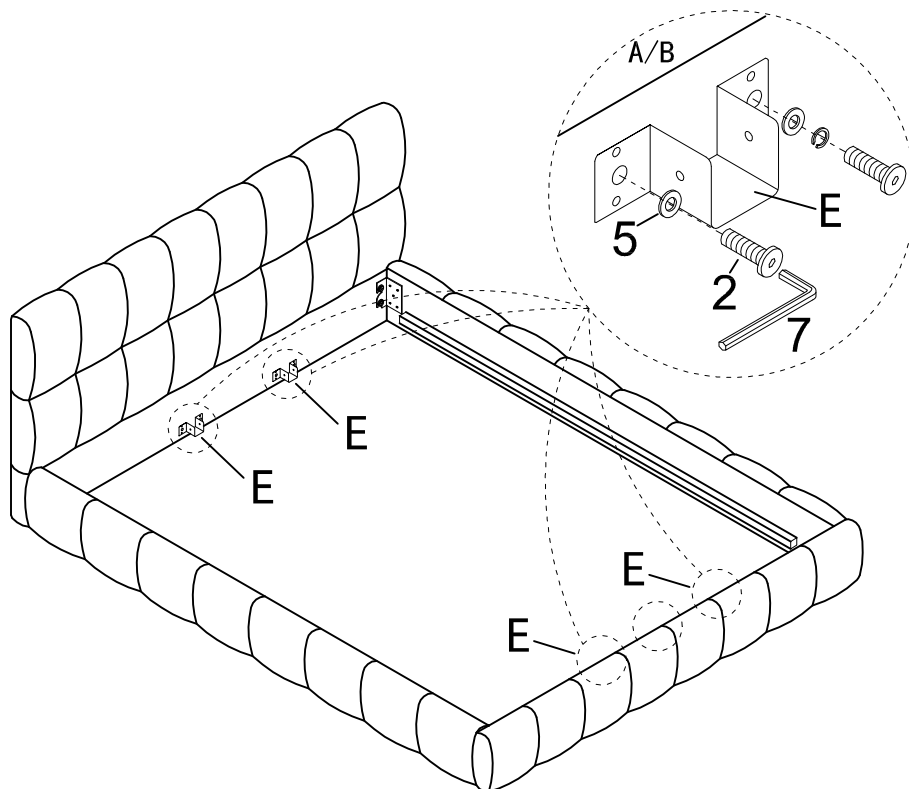
m6\*25  
2 -Bolt (8pcs)



m6\*16  
5 -Flat Washer  
(8pcs)



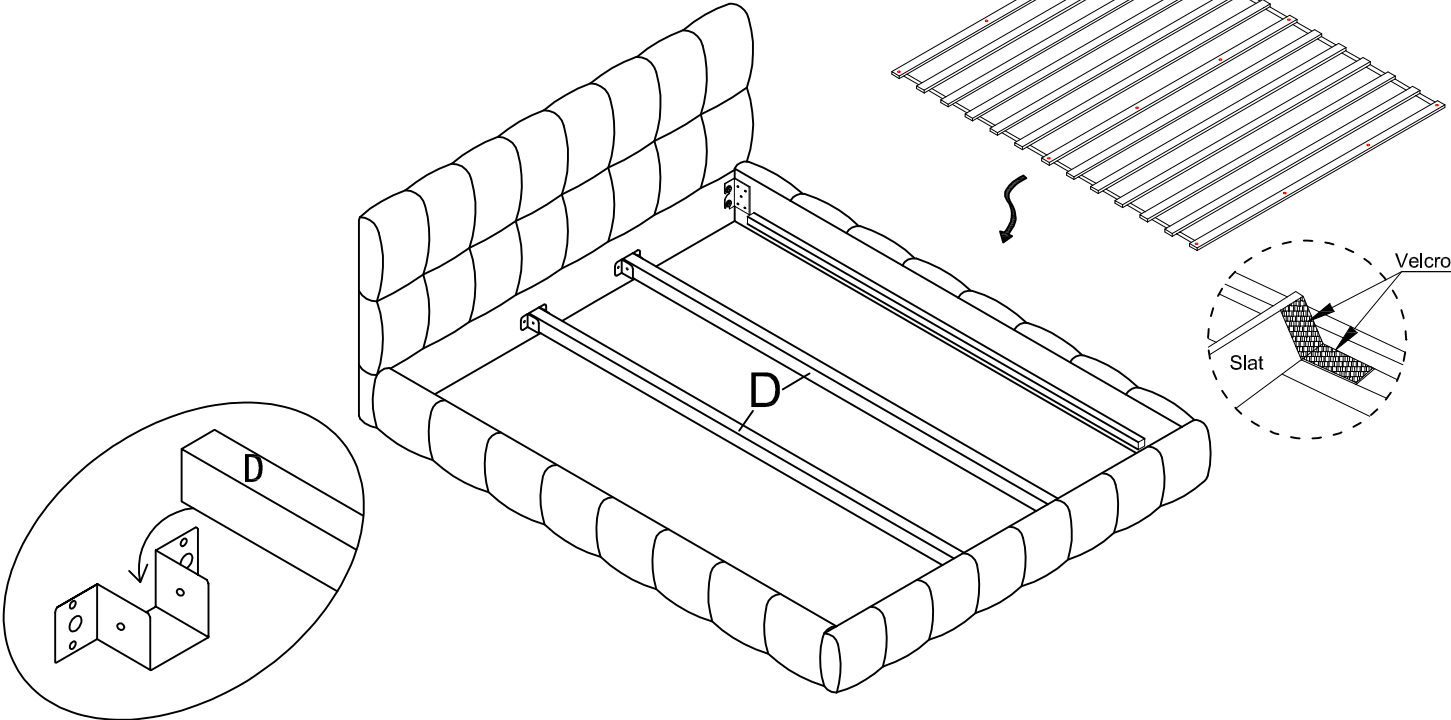
E- (4pcs)



# ASSEMBLY INSTRUCTIONS

STEP 3:

F-Slats (13pcs)



STEP 4:



M4\*25

8 - Screw (12pcs)

