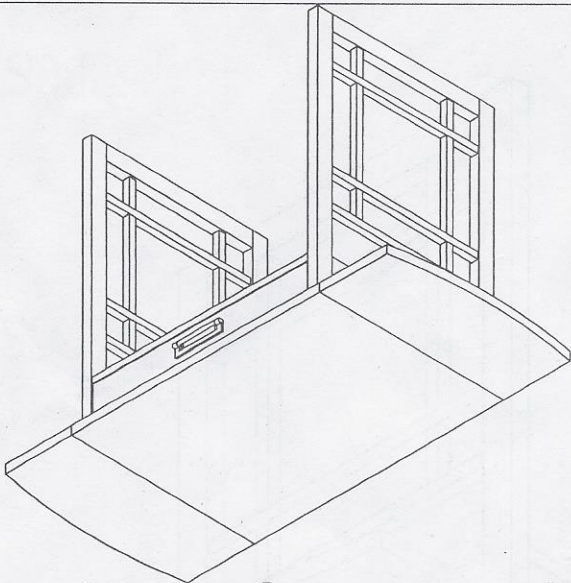
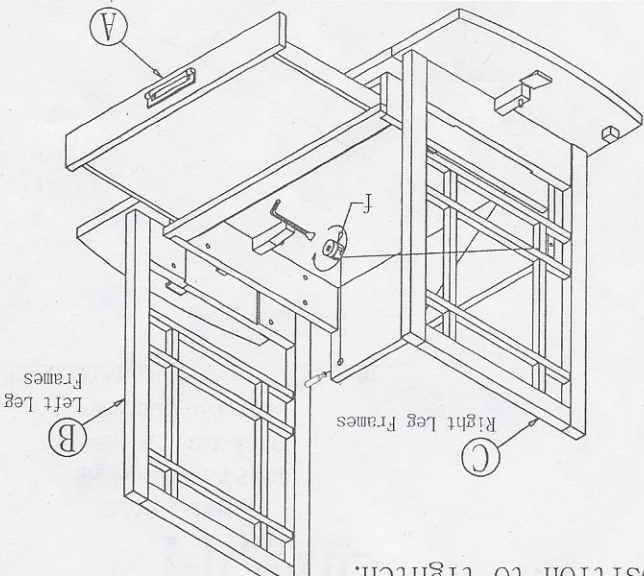
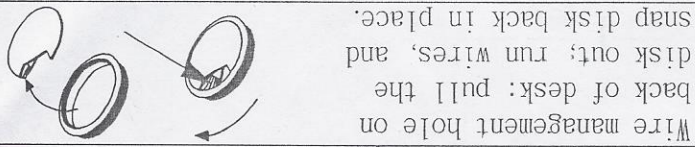


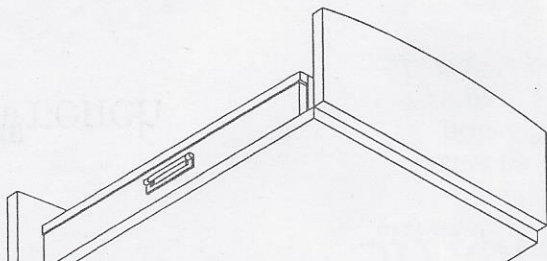
step 3
Fasten the leg frames with (8) bolts, flat washers and lock washers.



step 4
Place the table right side up. (Using the wood glides underneath the top for keeping the top flat and folding the leaf.)

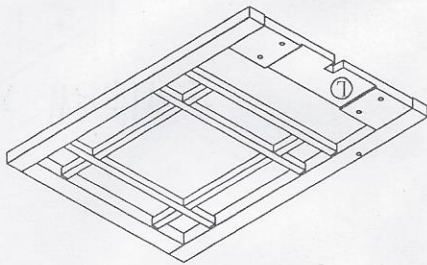


position to right.



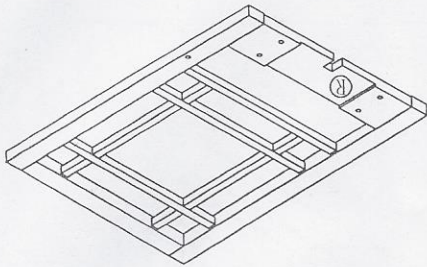
A

Top Assembly



B

Left Leg
Frame



C

Right Leg
Frame

3

IPC

IPC

IPC