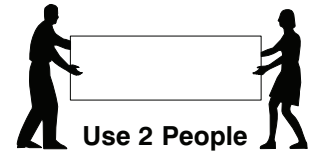
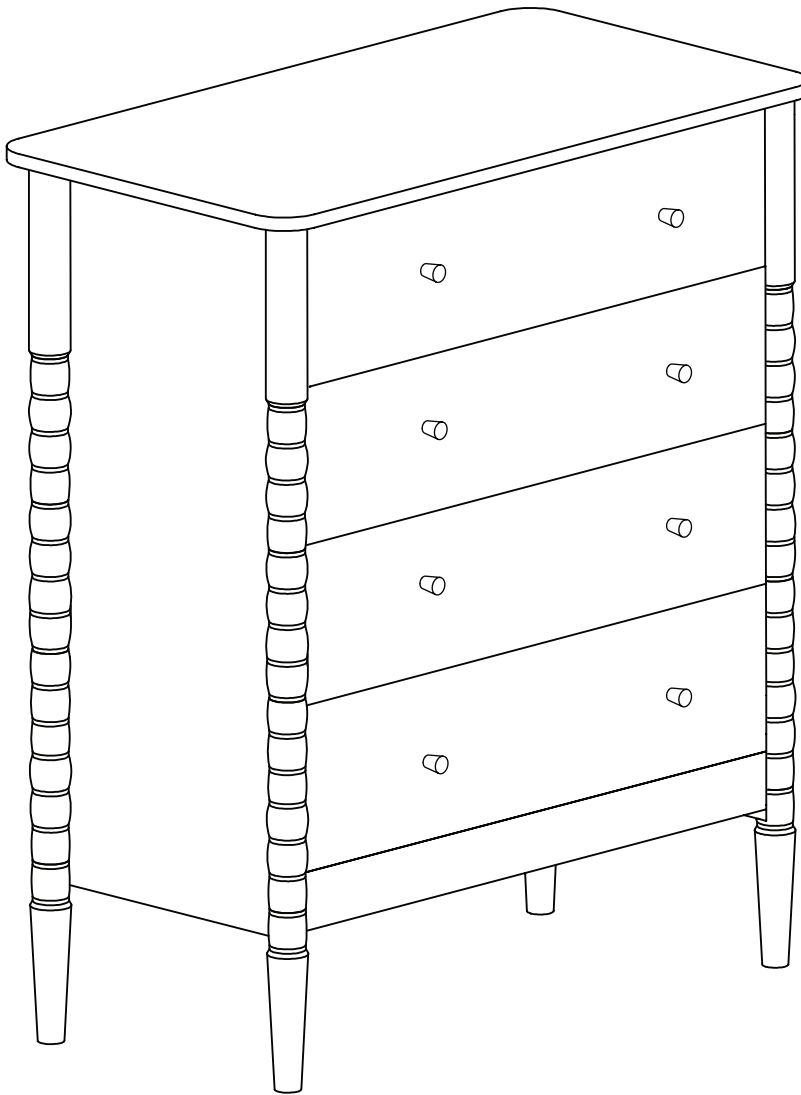


9011 4 Drawer Chest

Assembly Instructions

WI-0724



Note: Do not assemble using power tools. This can cause the bolts to be overtightened

WARNING



Anti Tipping Kit
Anti Tipping Kit x 1



Children have died from furniture tipover.

To reduce the risk of furniture tipover:

- ALWAYS install anti-tip device provided.
- NEVER put a TV on this product.
- NEVER allow children to stand, climb, or hang on any drawers, doors or shelves.
- NEVER open more than one drawer at a time.
- DO NOT defeat or remove the drawer interlock system; it is an important stability and safety system.
- Place heaviest items in the lowest drawer.

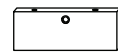
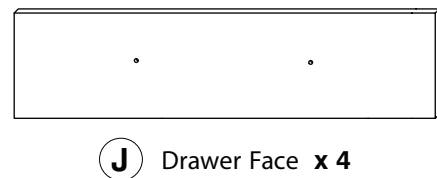
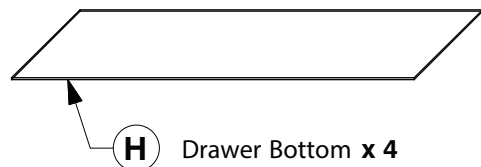
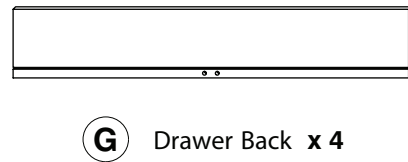
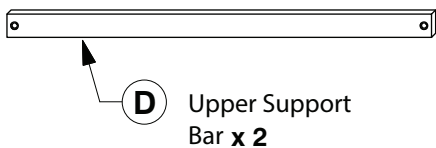
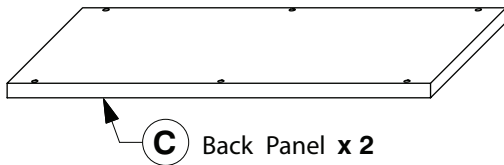
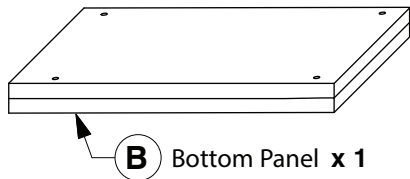
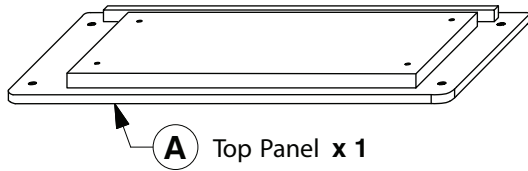
9011 4 Drawer Chest

Assembly Instructions

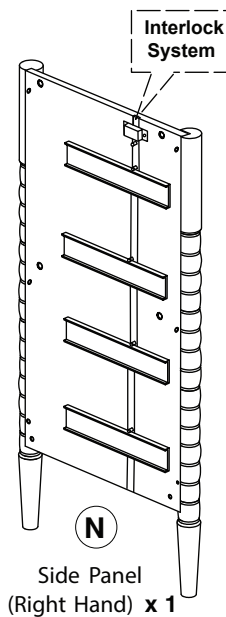
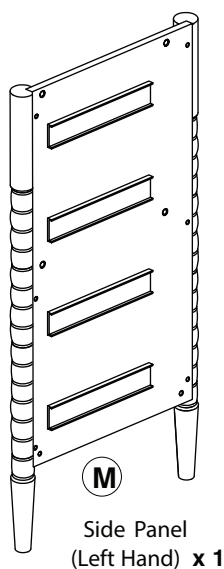
WI-0724

1 Parts List

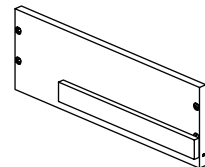
Parts in Box A:



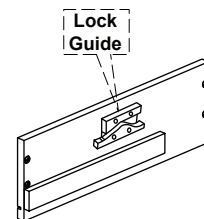
Parts in Box B:



O Drawer Side (Left Hand) x 4



P Drawer Side (Right Hand) x 4

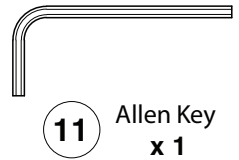
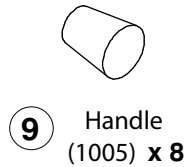
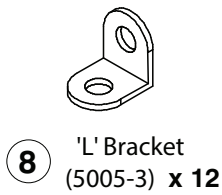
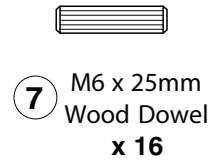
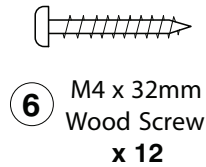
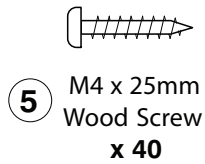
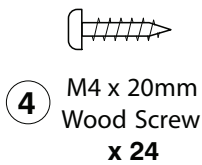
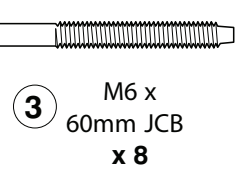
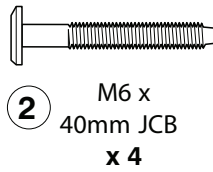
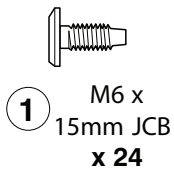


9011 4 Drawer Chest

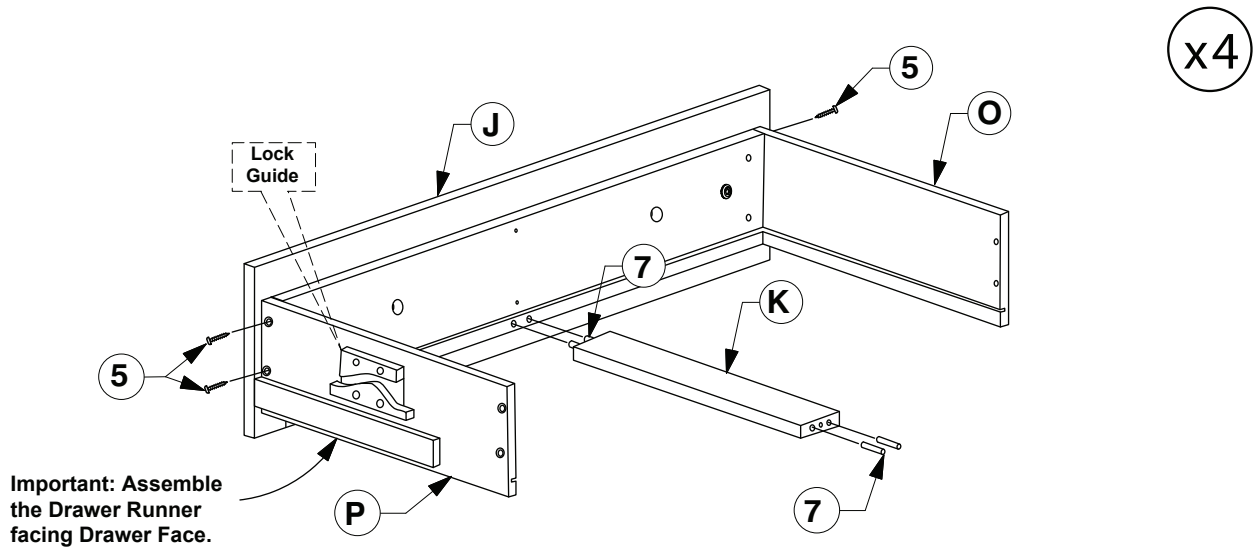
Assembly Instructions

WI-0924

2 Hardware List



3 Assemble the Drawer Sides (O & P) & Drawer Rail (K) to the Drawer Face (J).



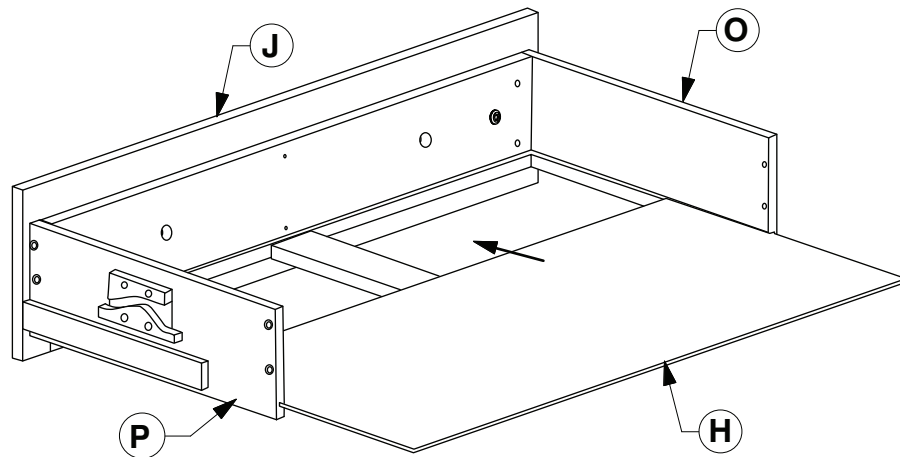
9011 4 Drawer Chest

Assembly Instructions

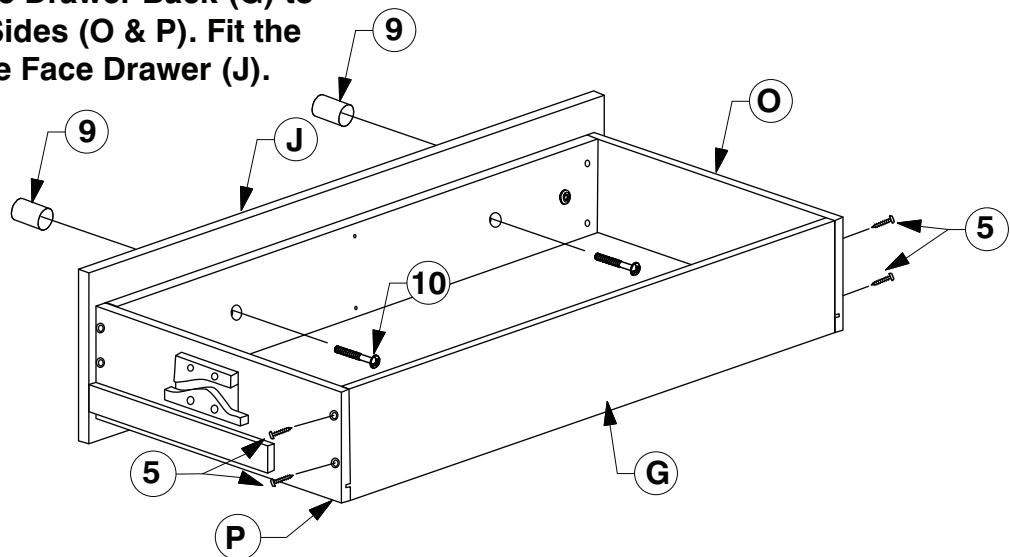
WI-0924

- 4** Slide the Drawer Bottom (H) into the groove on the Drawer Sides (O & P).

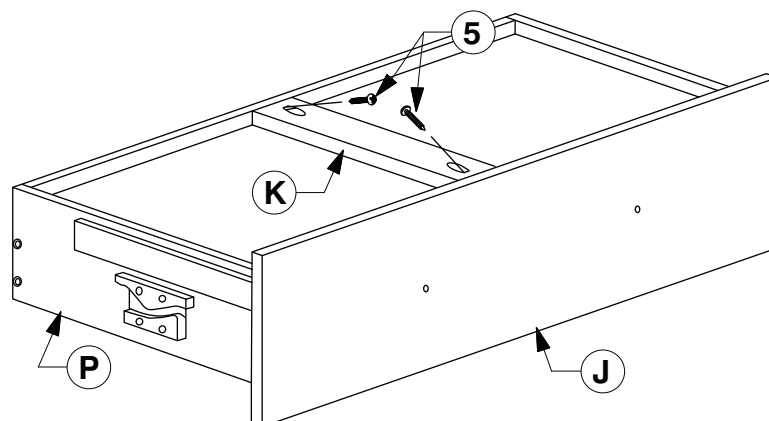
x4



- 5** Assemble the Drawer Back (G) to the Drawer Sides (O & P). Fit the Handle to the Face Drawer (J).



- 6** Turn the Drawer over to fit angled 25mm Wood screws (5) to the Drawer Rail (K).

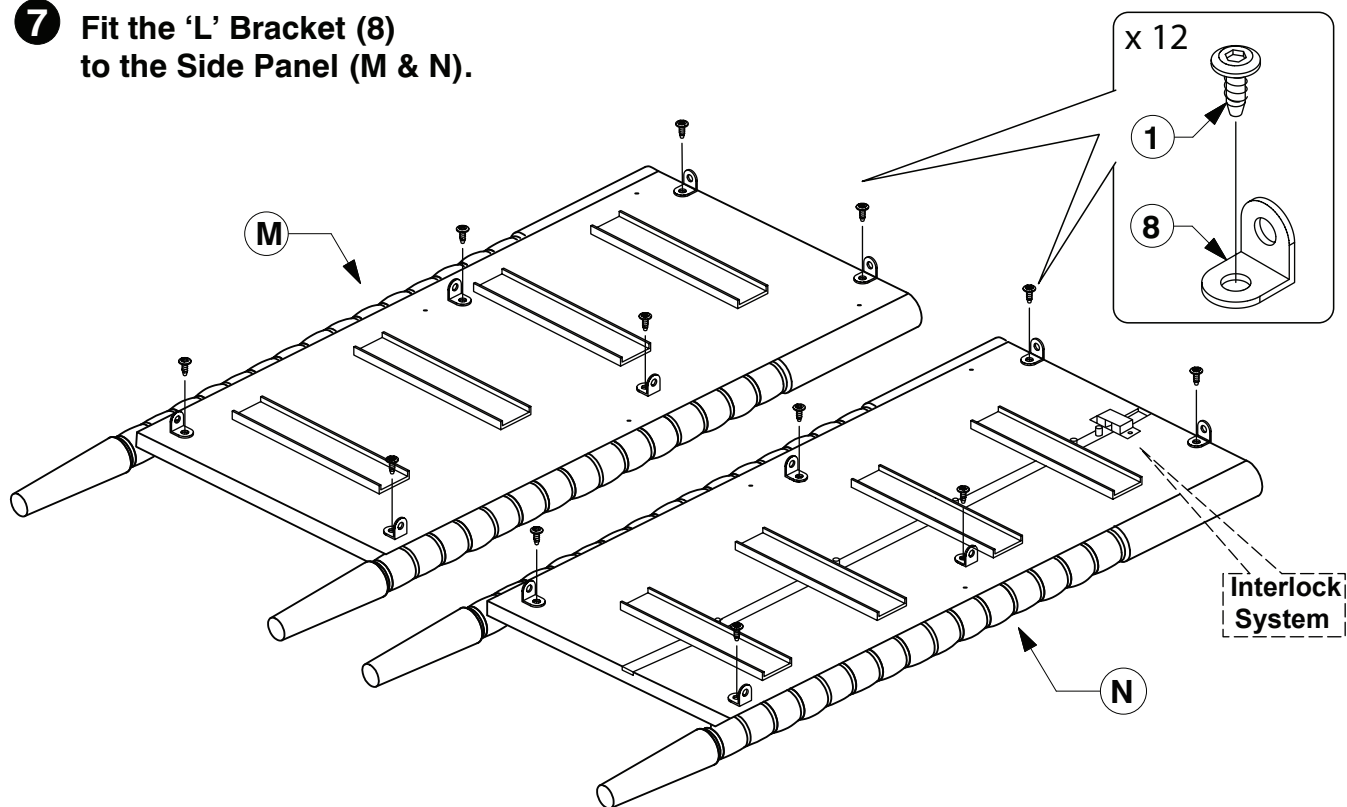


9011 4 Drawer Chest

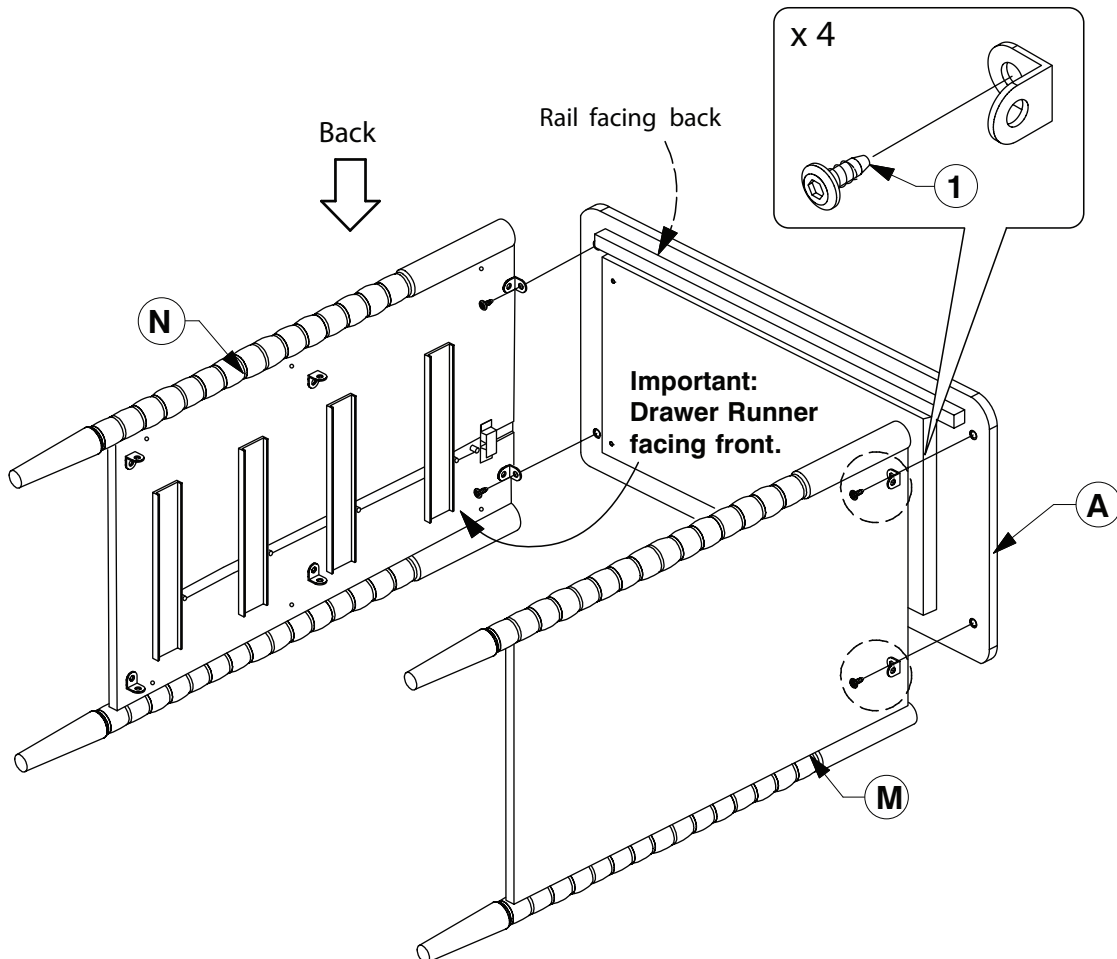
Assembly Instructions

WI-0724

- 7** Fit the 'L' Bracket (8) to the Side Panel (M & N).



- 8** Assemble the Top Panel (A) to the Side Panel (M & N).

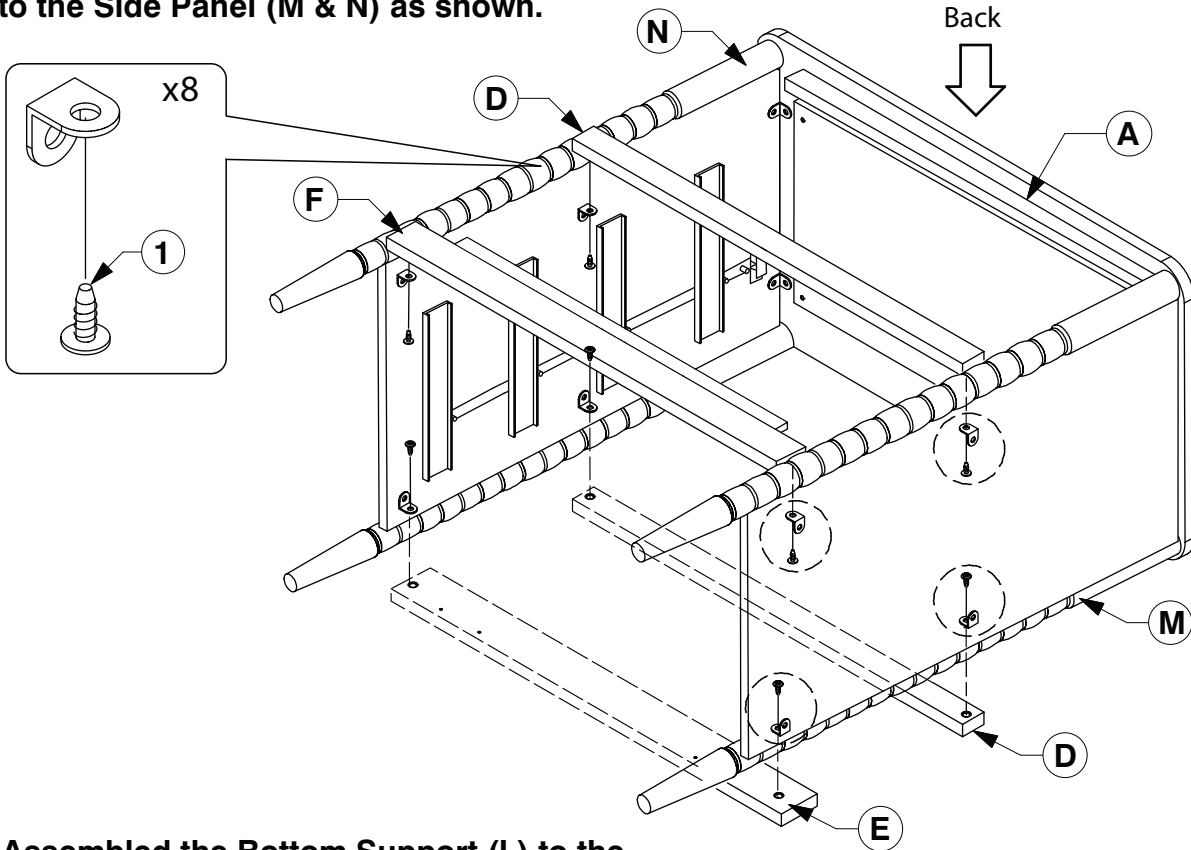


9011 4 Drawer Chest

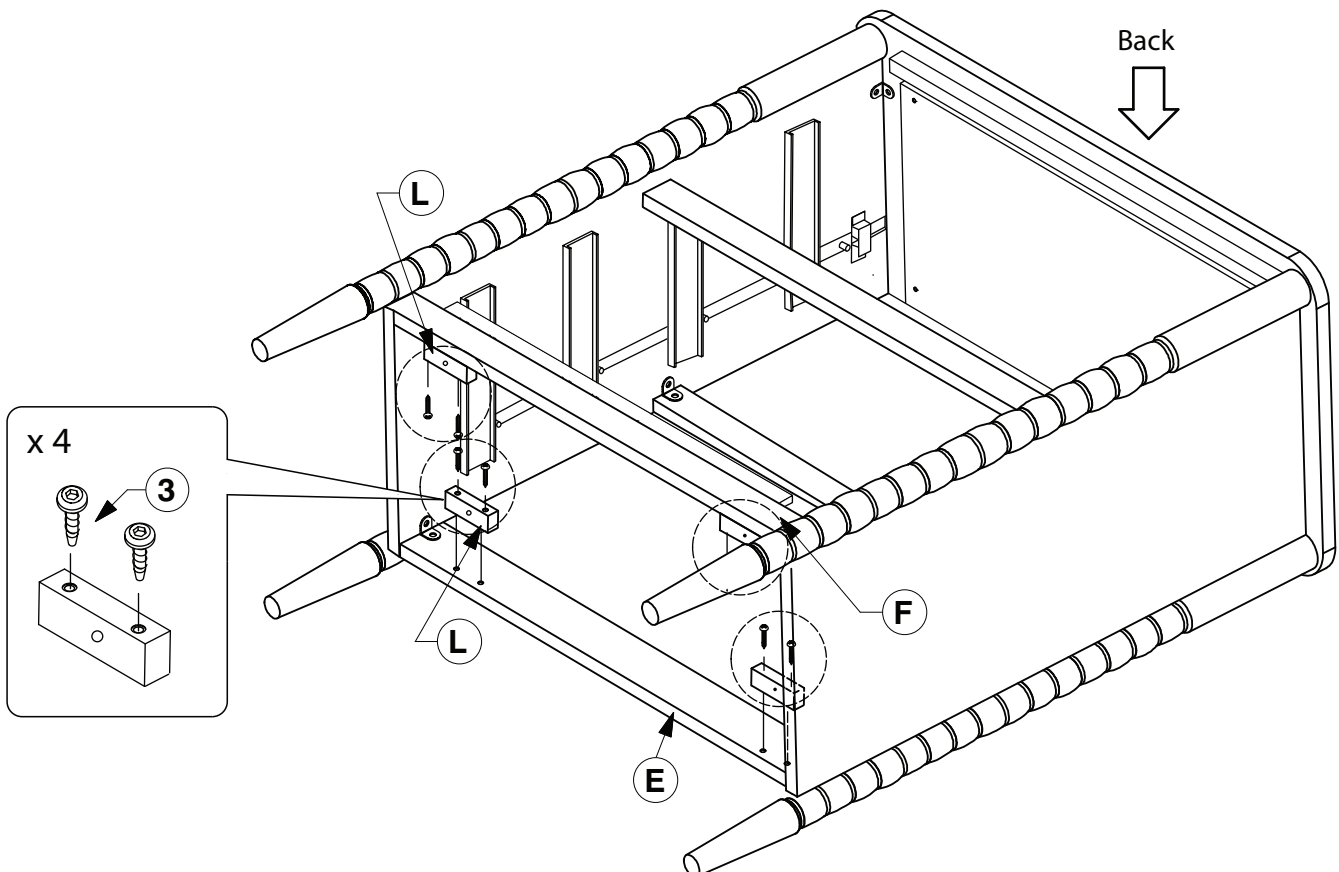
Assembly Instructions

WI-0724

- 9** Fit the Support Bar Upper & Bottom (D & E & F) to the Side Panel (M & N) as shown.



- 10** Assembled the Bottom Support (L) to the Bottom Front & Rear Support Bar (E & F) as shown.

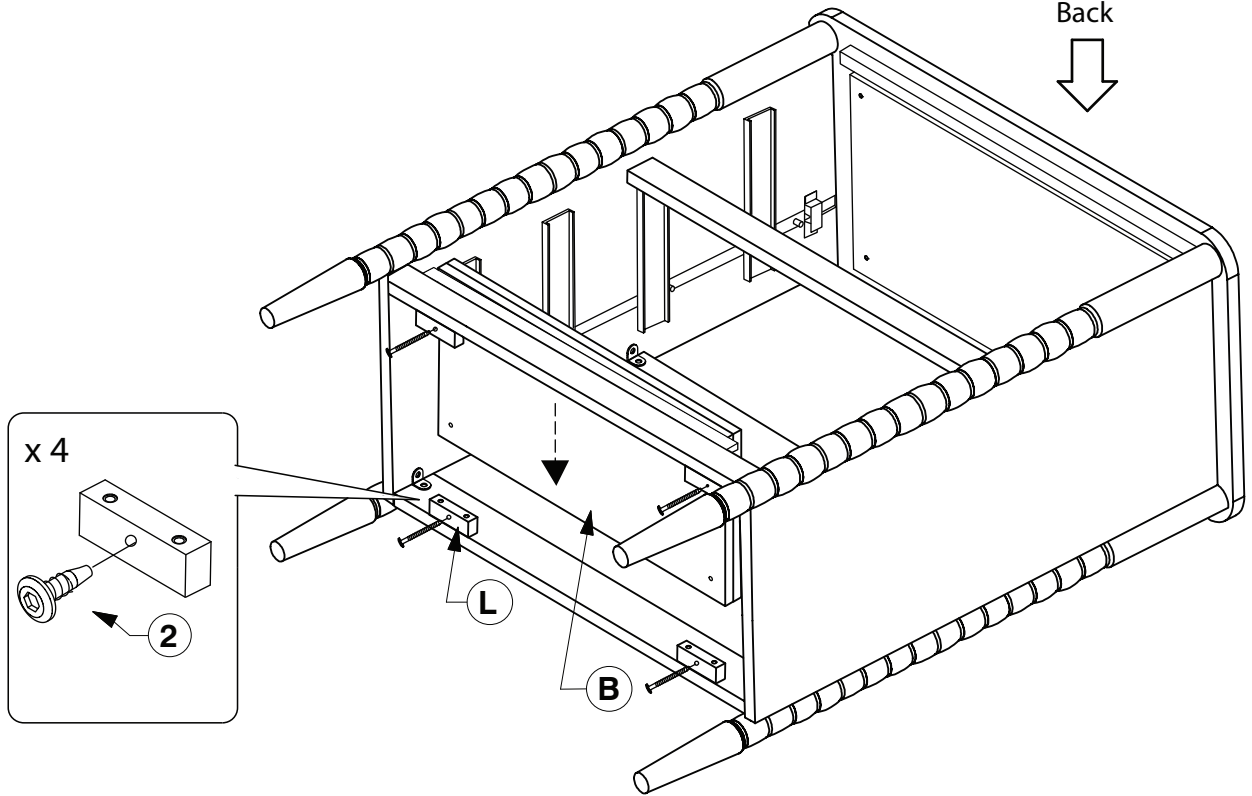


9011 4 Drawer Chest

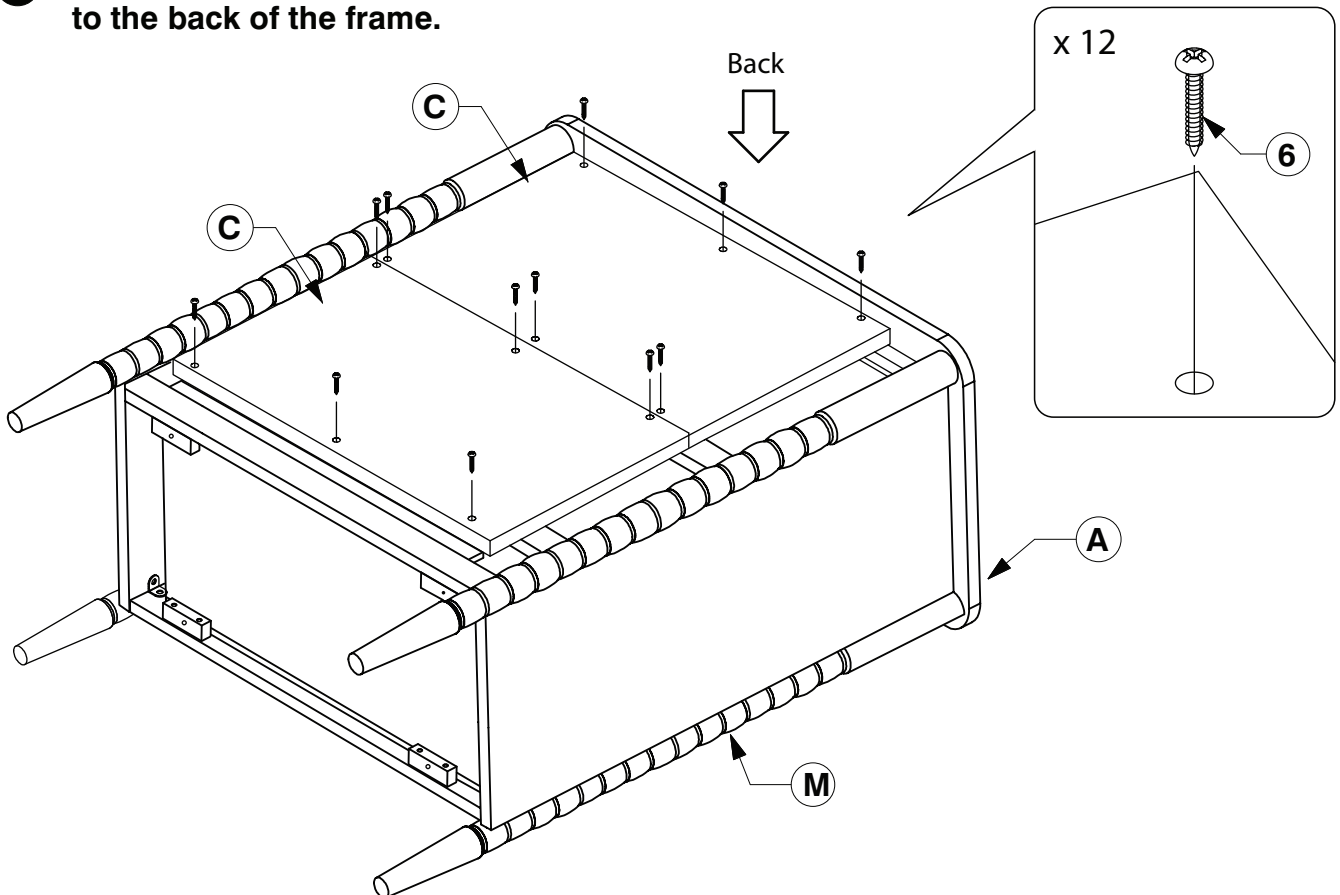
Assembly Instructions

WI-0724

- 11** Bolt the Bottom Support (L) to the Bottom Panel (B) as shown.



- 12** Attached the Back Panel (C) to the back of the frame.



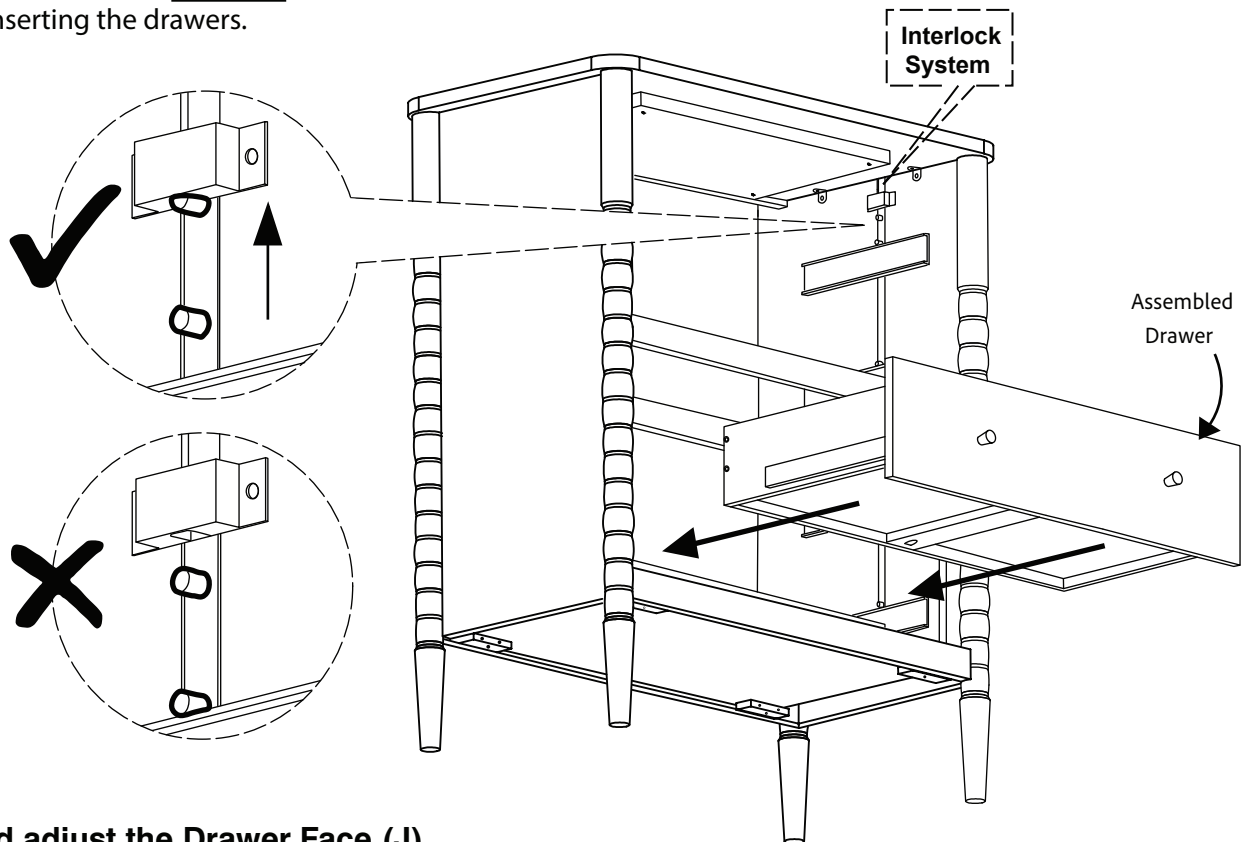
9011 4 Drawer Chest

Assembly Instructions

WI-0924

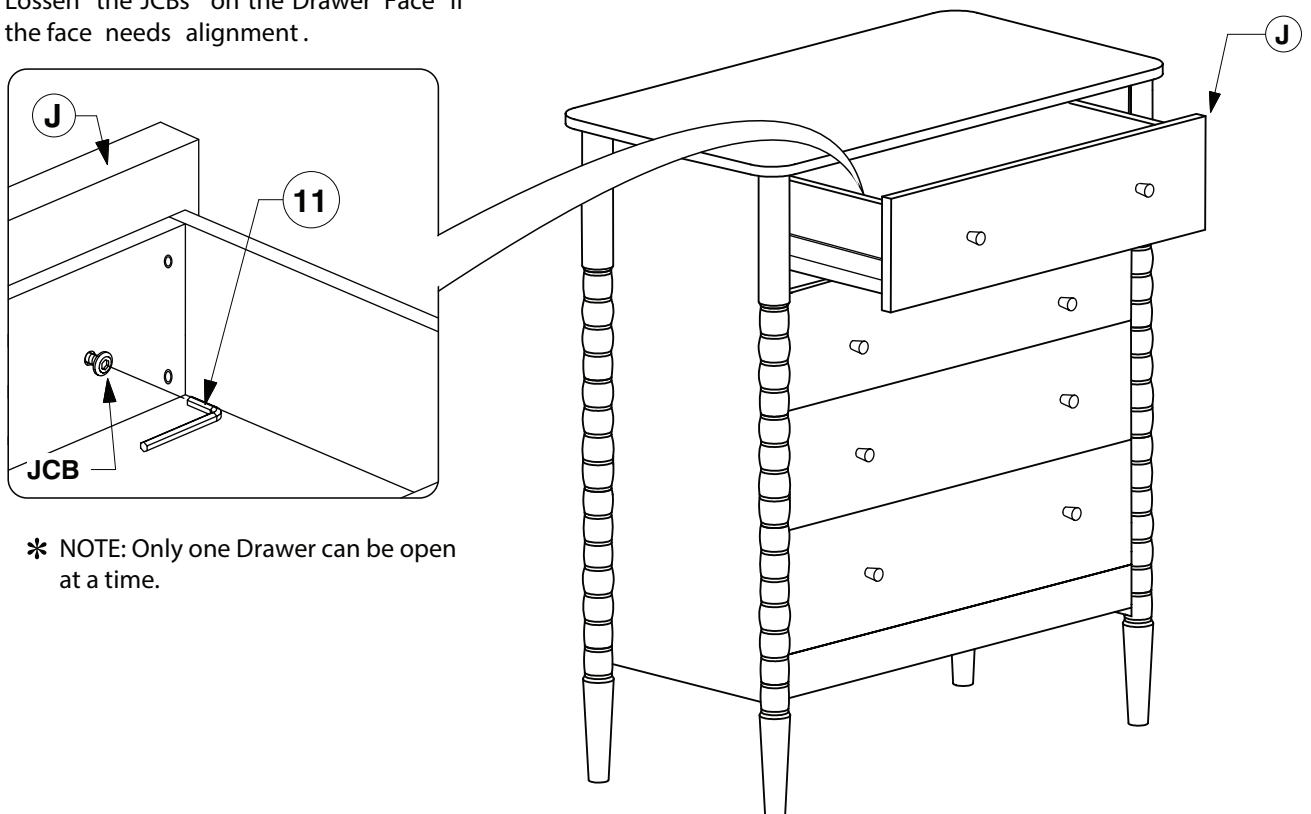
13 Install the Drawer.

- Push the Interlock bar **upwards** before inserting the drawers.



14 Fit and adjust the Drawer Face (J).

- * NOTE: Before fitting the Wood Screws .
Losen the JCBs on the Drawer Face if the face needs alignment.



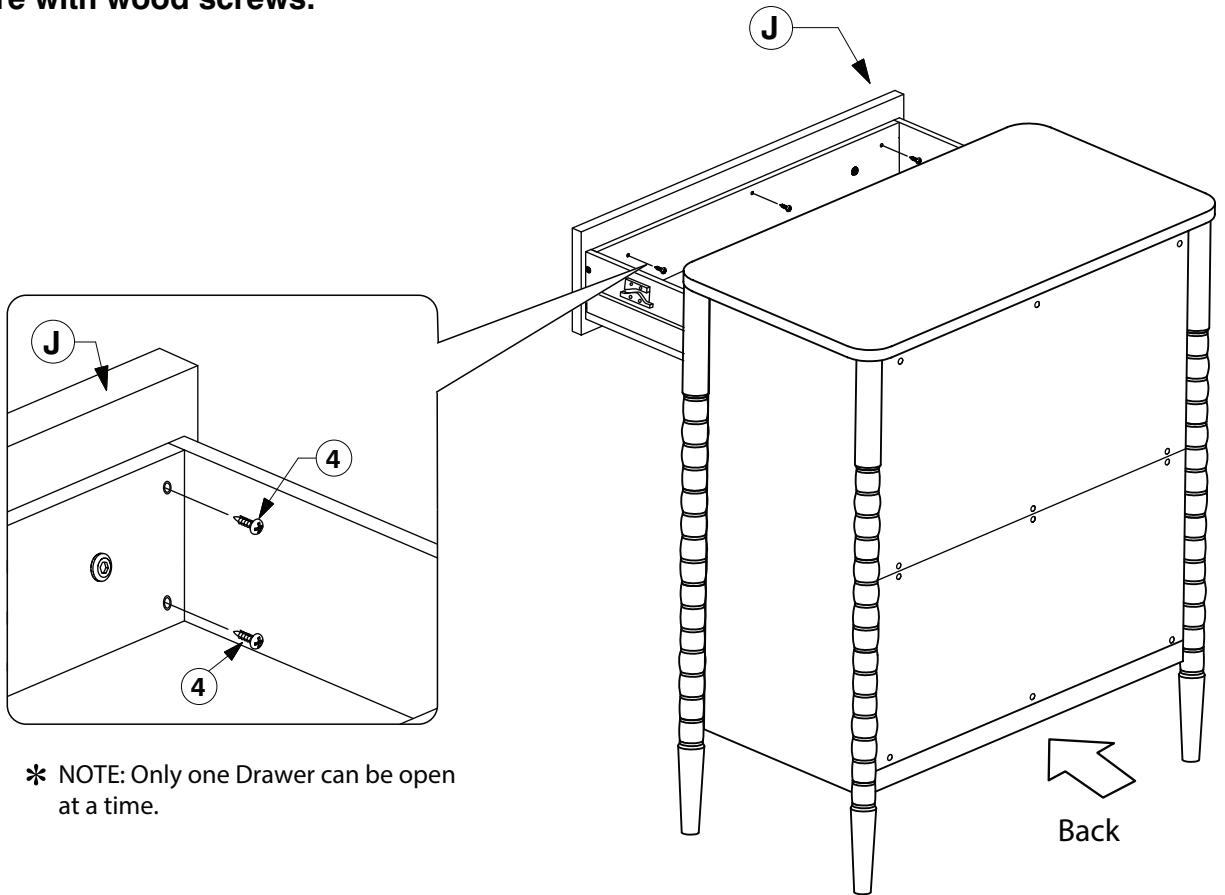
- * NOTE: Only one Drawer can be open at a time.

9011 4 Drawer Chest

Assembly Instructions

WI-0924

- 15** After the Drawer Faces (J) are aligned secure with wood screws.



* NOTE: Only one Drawer can be open at a time.

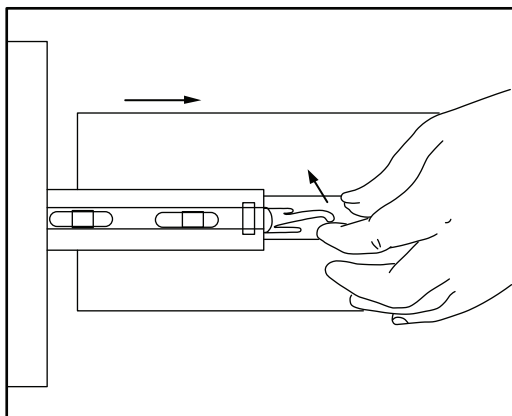
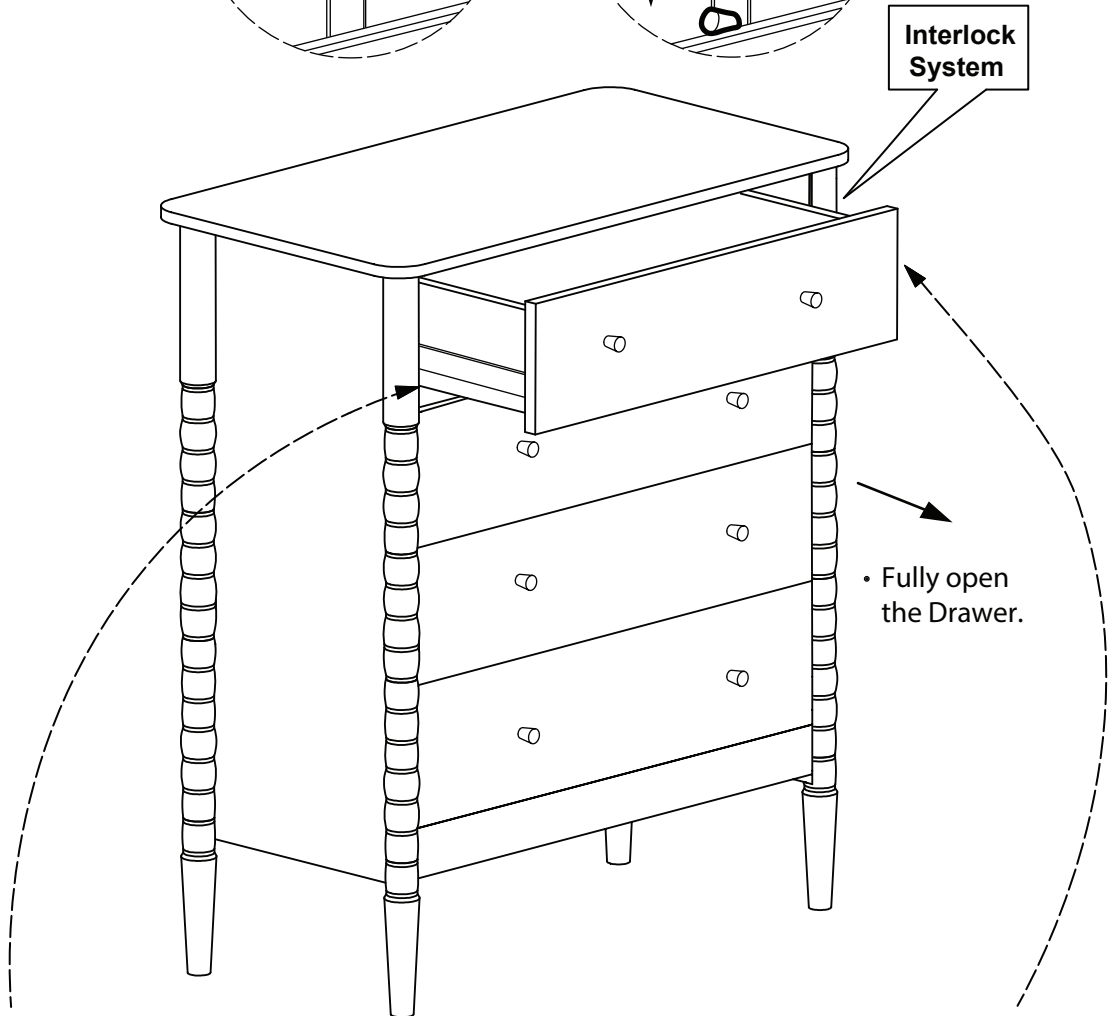
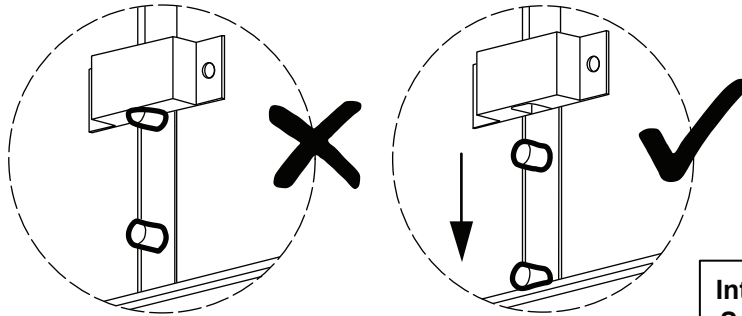
9011 4 Drawer Chest

Assembly Instructions

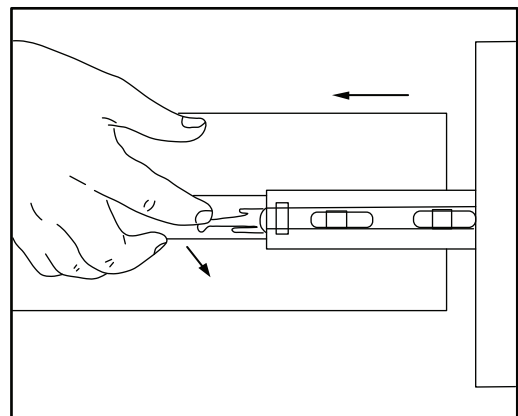
WI-0924

16 Remove the Drawers.

- After removing the top drawer, push the interlock bar **down**. Then remove the lower drawers.



- Lift the **LEFT** side clip up.



- Push the **RIGHT** side clip down.