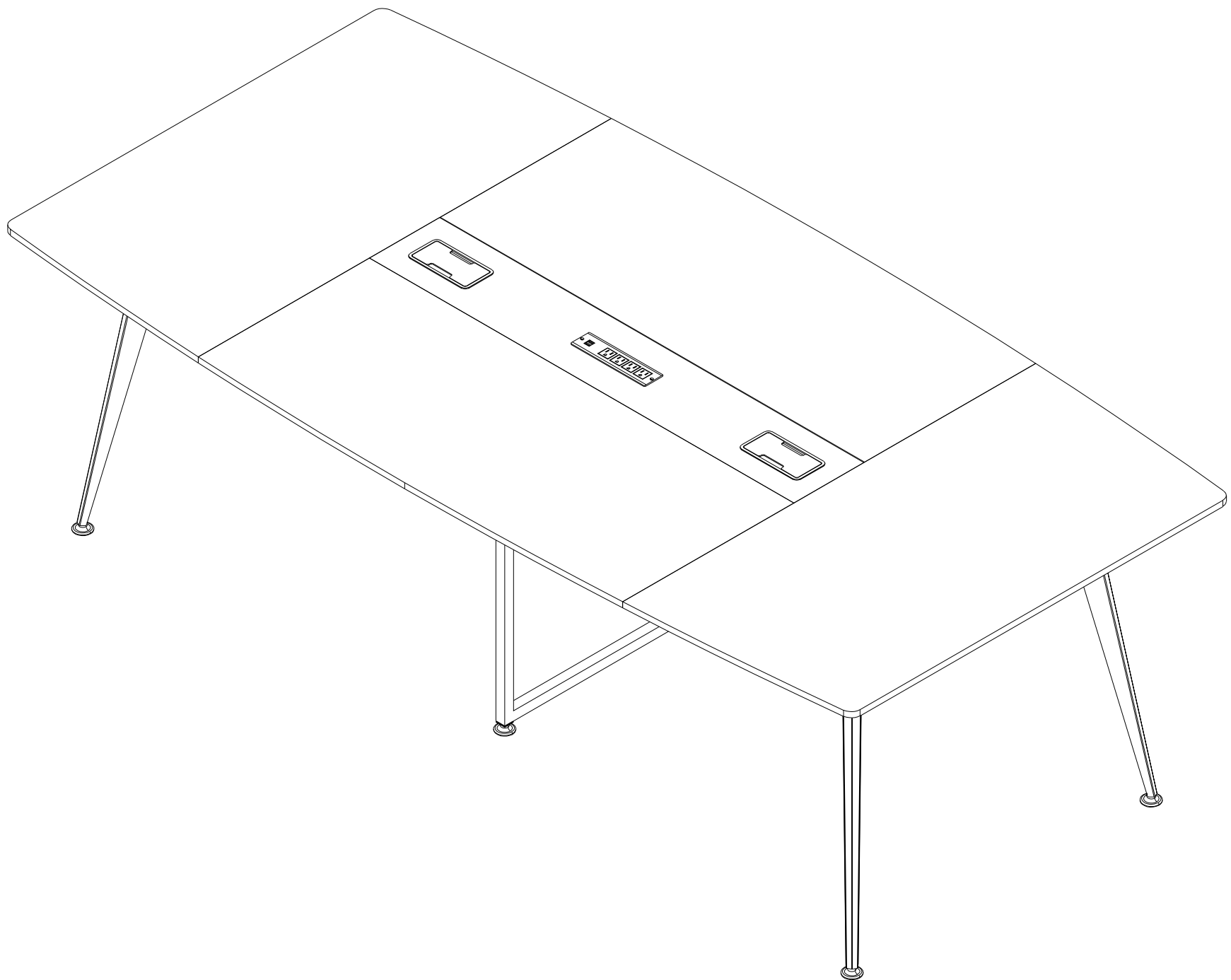


ASSEMBLY INSTRUCTIONS

GZPFK-V1

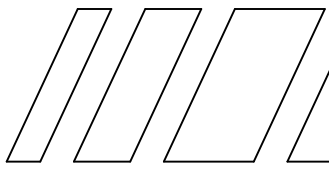
FTOFOD-6021



Office Desk

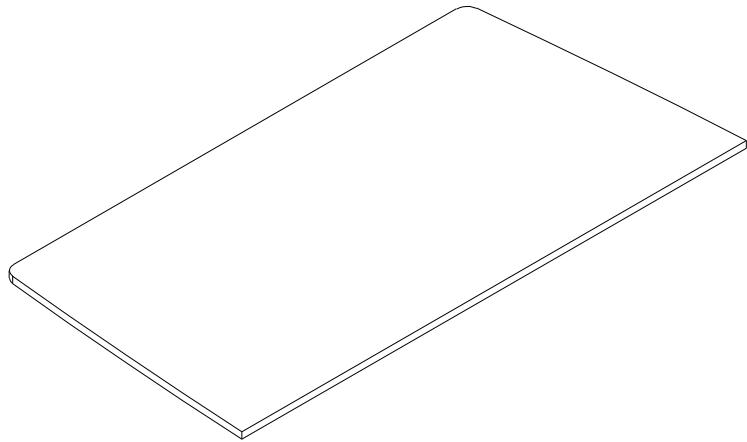
Notice:

1. Follow the installation instructions. Please confirm all accessories are preset before installation.
2. Do not fully tighten the screws during initial assembly, Fully tighten screws only once all pieces which are correctly assembled.
3. If you encounter any problems during installation, please contact our customer service



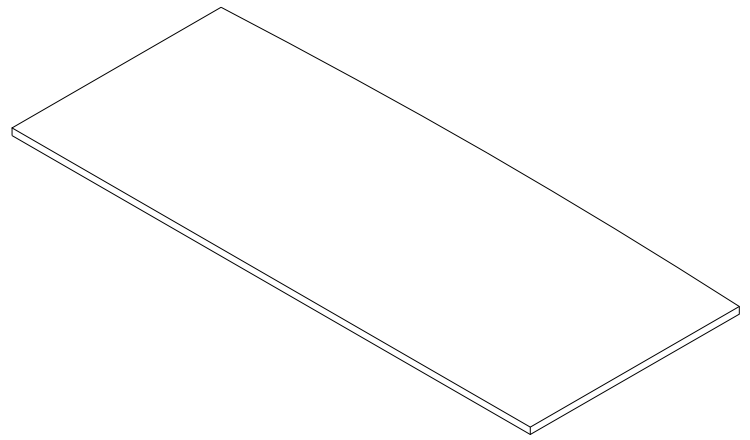
FTOFOD-6021

①



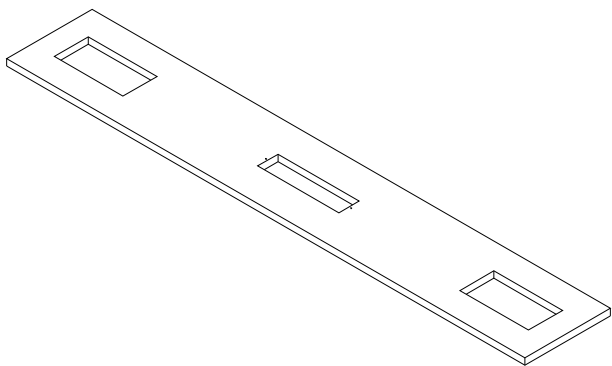
x 2

②

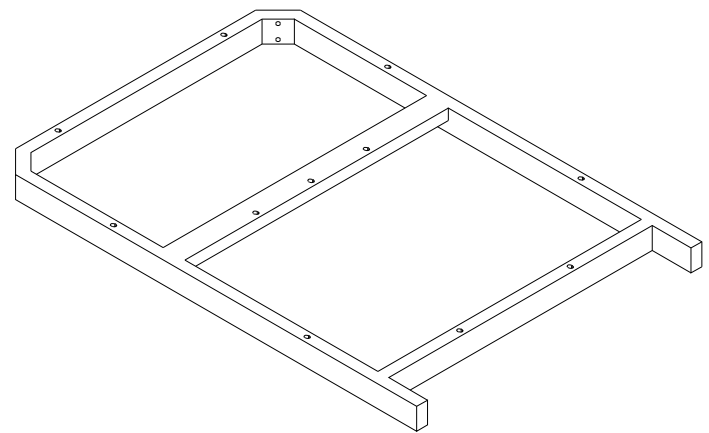


x 2

③

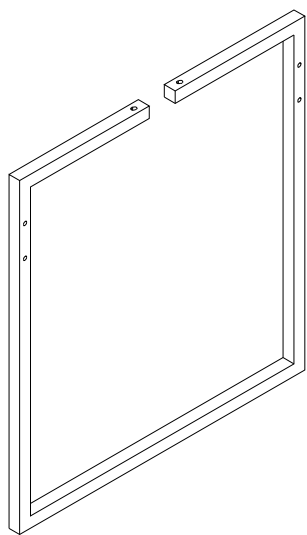


④

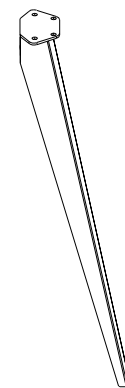


x 2

⑤

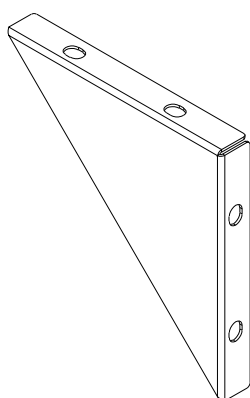


⑥



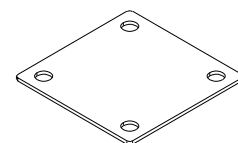
x 4

⑦

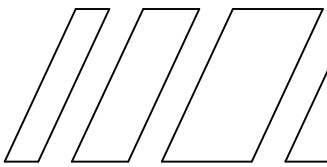


x 4

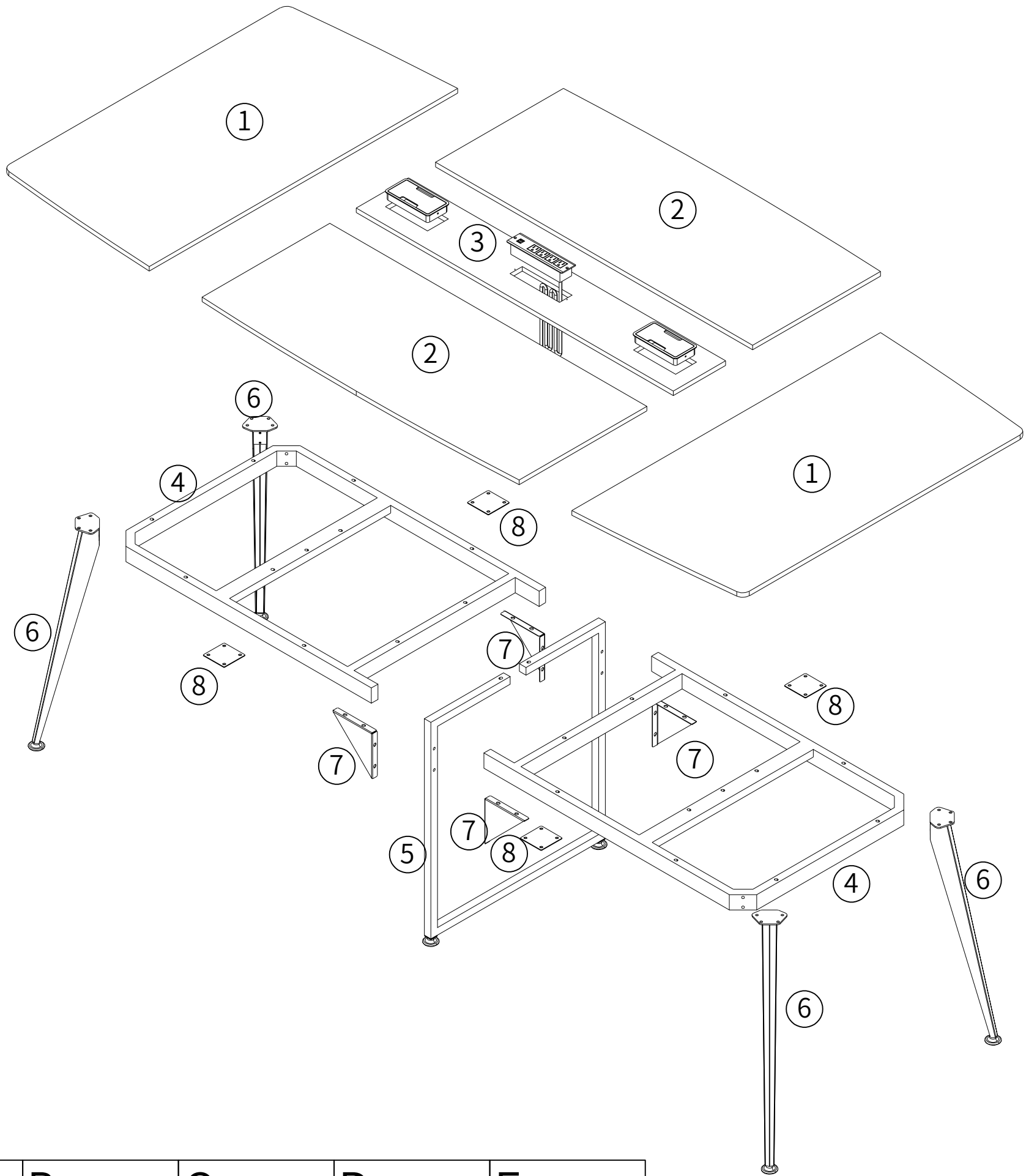
⑧


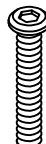
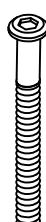



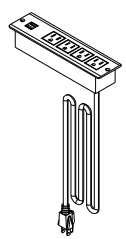
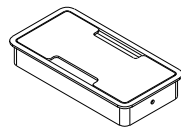
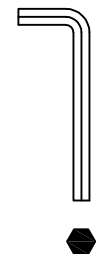
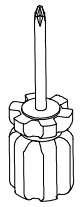


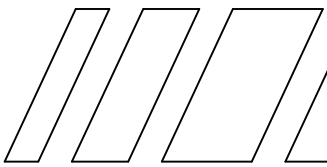
x 4



FTOFOD-6021

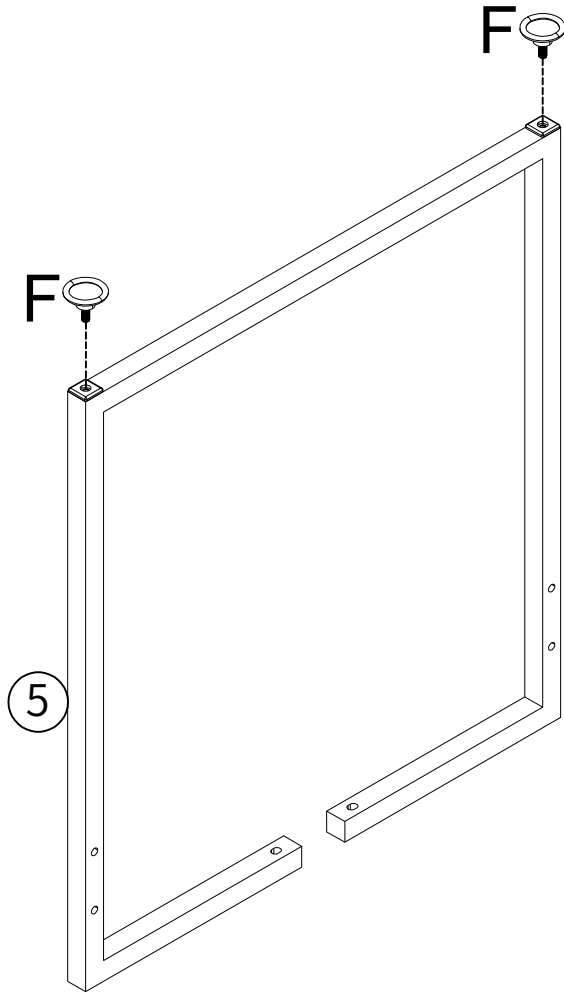


A M6X12  40 PCS	B M6X35  20 PCS	C M6X60  16 PCS	D M3.5X14  2 PCS	E M6  4 PCS
F  6 PCS	G  1 PCS	H  2 PCS	4#  4#	



FTOFOD-6021

1

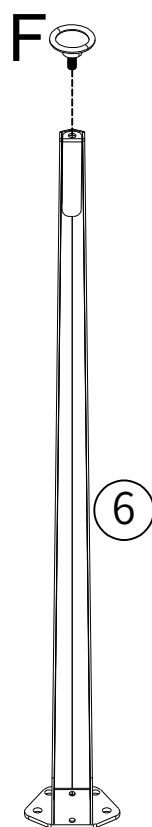


F



2 PCS

2



F




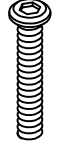
4 PCS

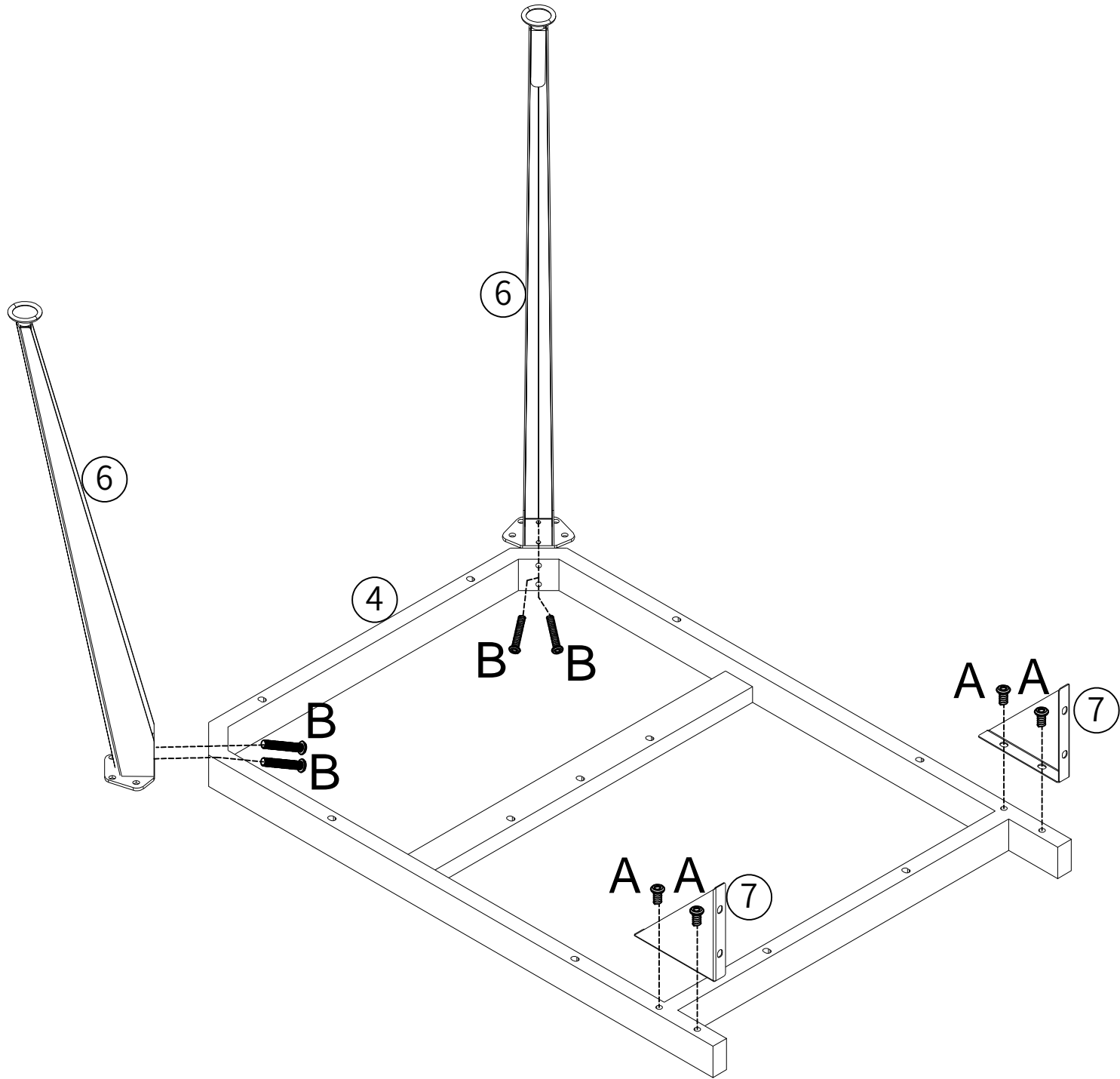
x 4



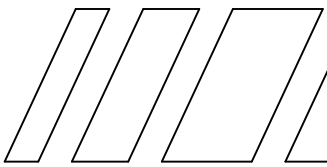
FTOFOD-6021

3

A M6X12	B M6X35
	
8 PCS	8 PCS



x 2

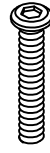


FTOFOD-6021

4

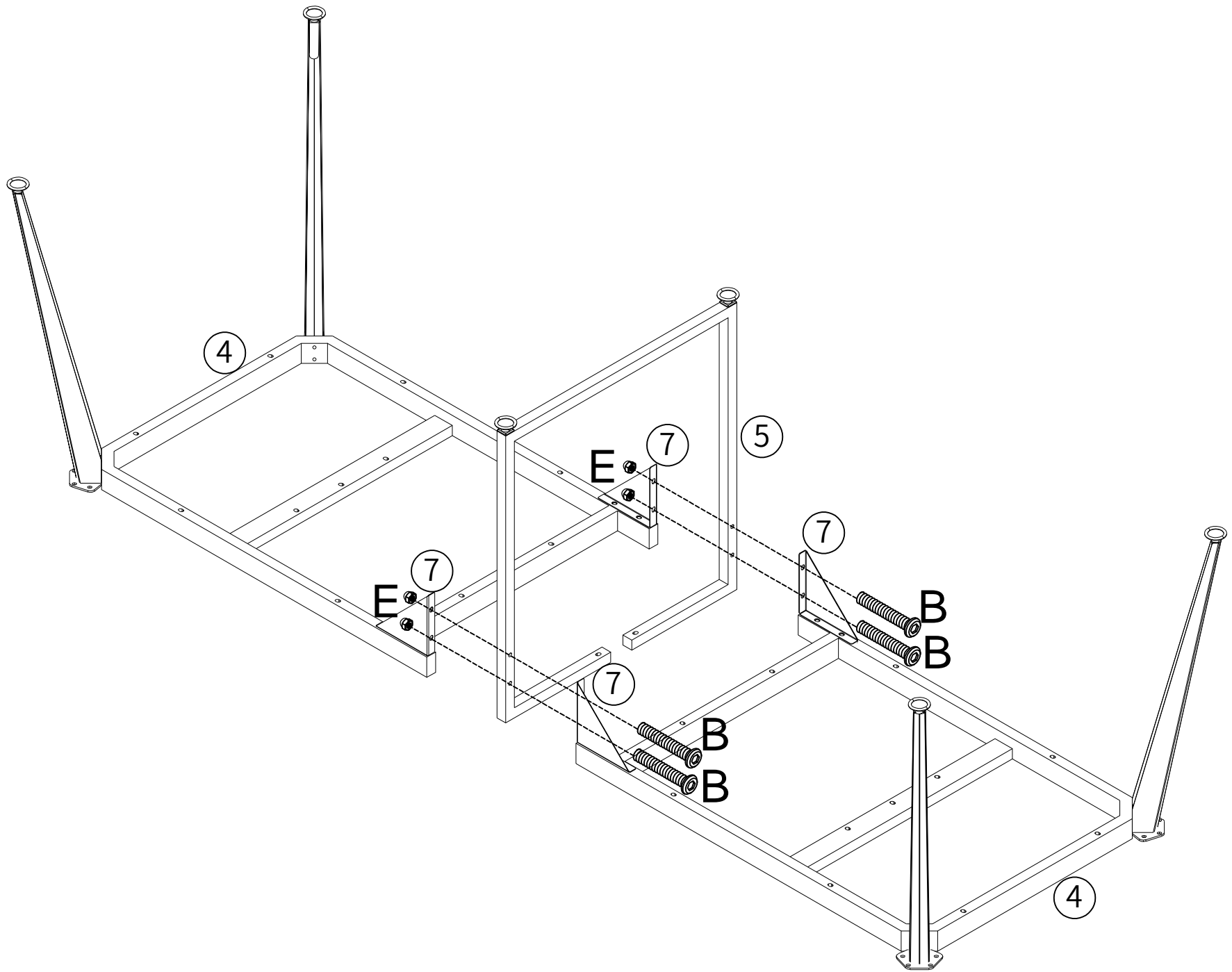
B M6X35

E M6



4 PCS

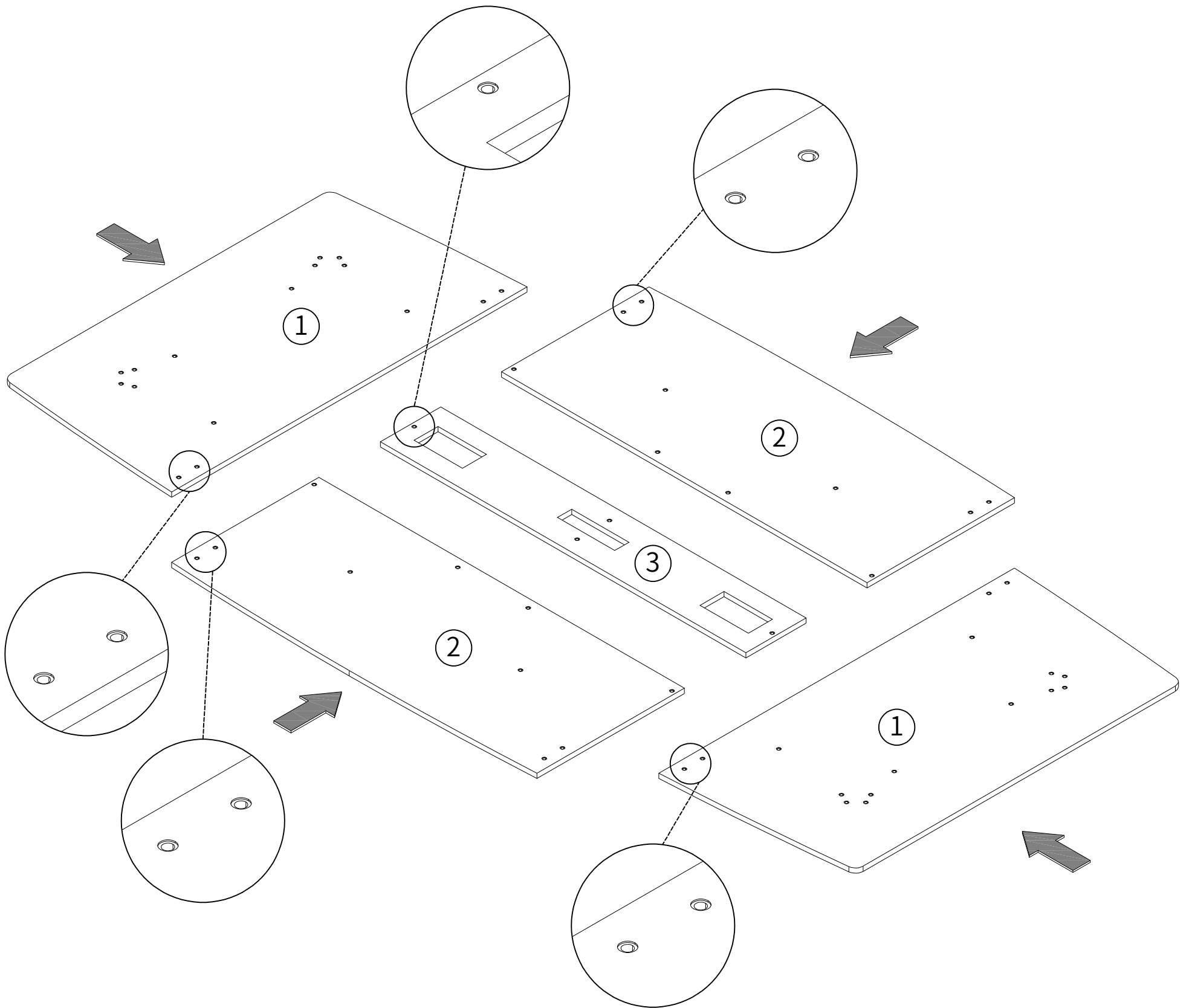
4 PCS

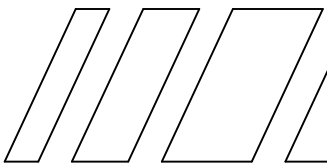




5

Pay attention to the orientation of the holes.





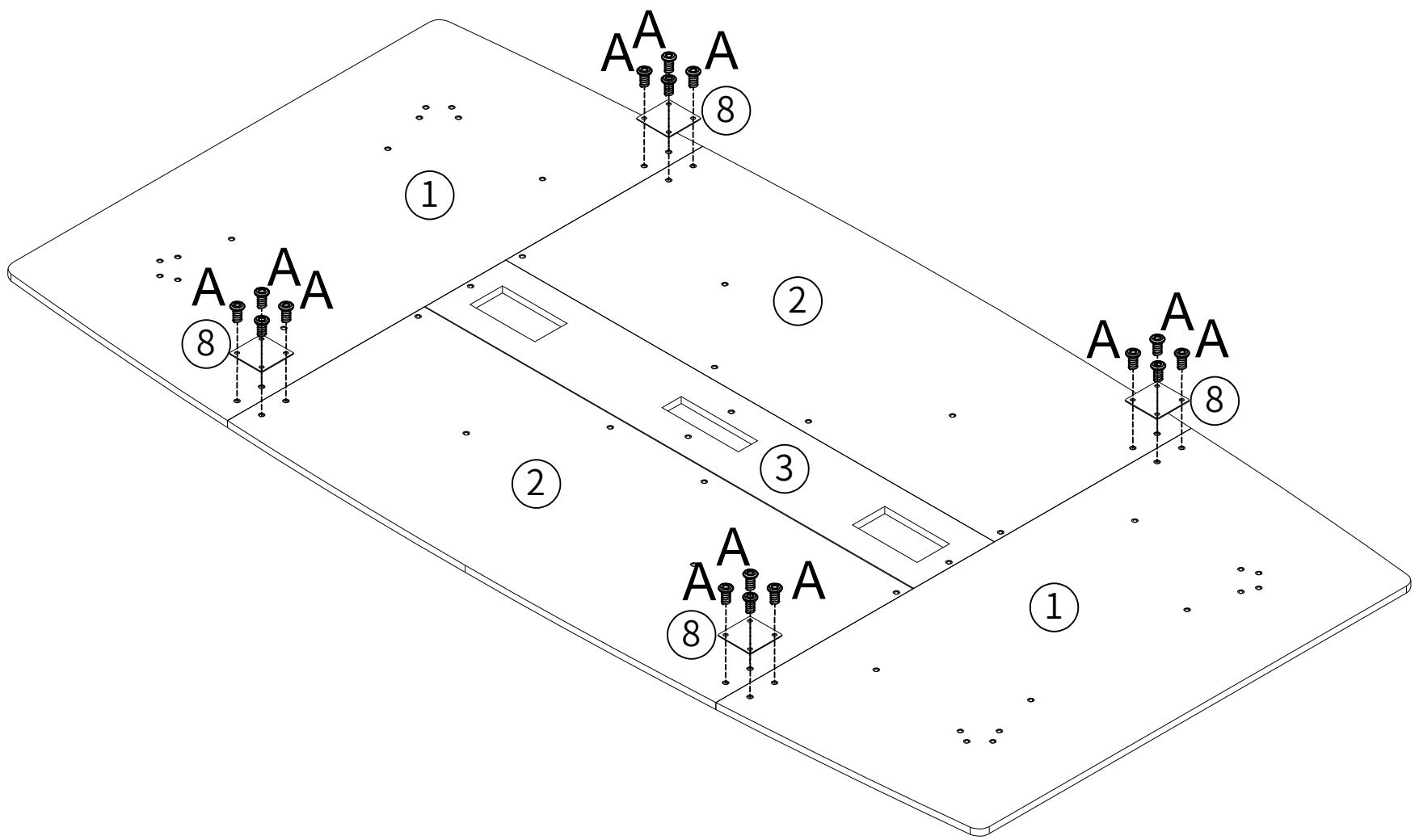
FTOFOD-6021

6

A M6X12



16 PCS



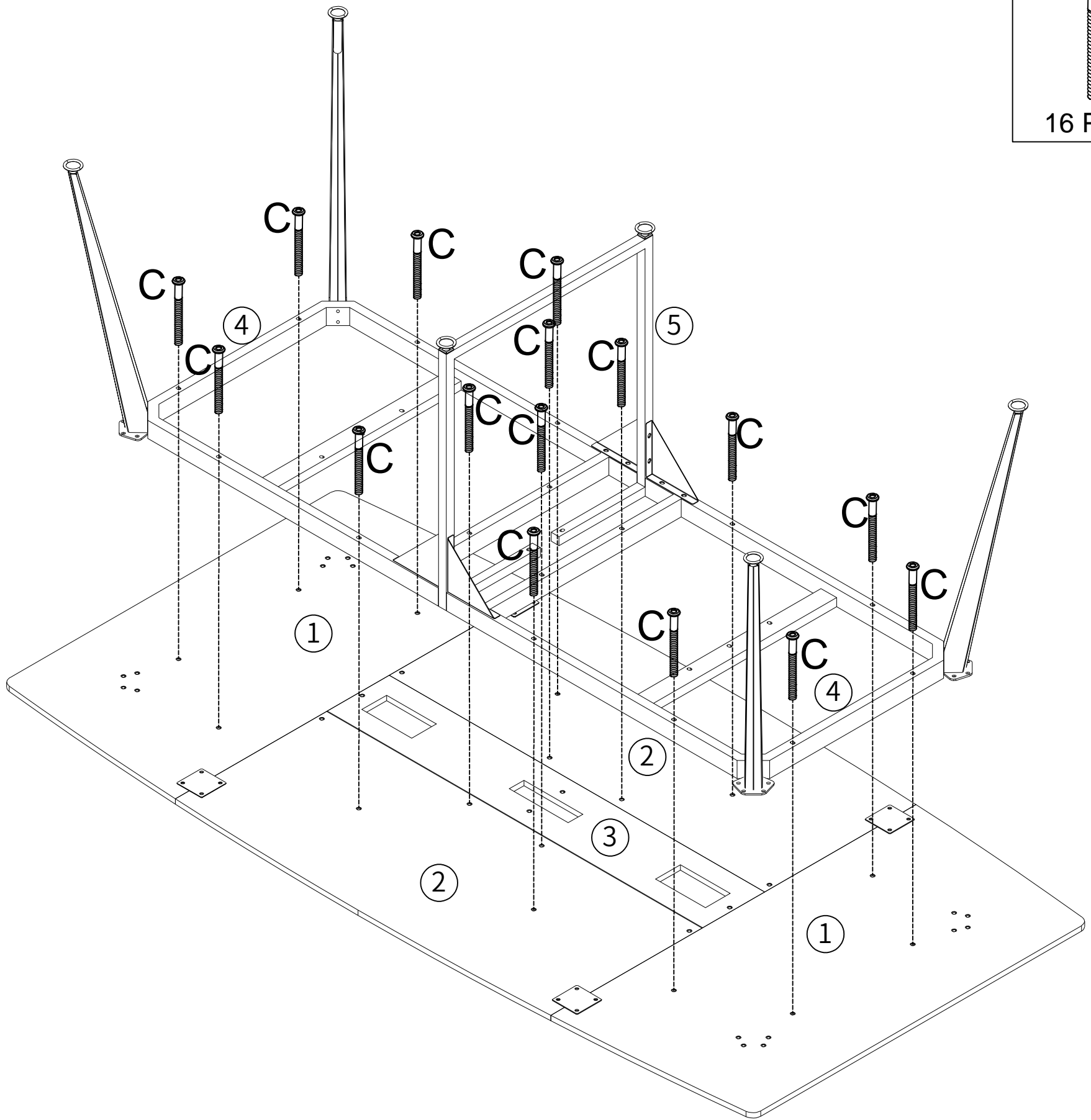
FTOFOD-6021

7

C M6X60


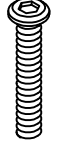


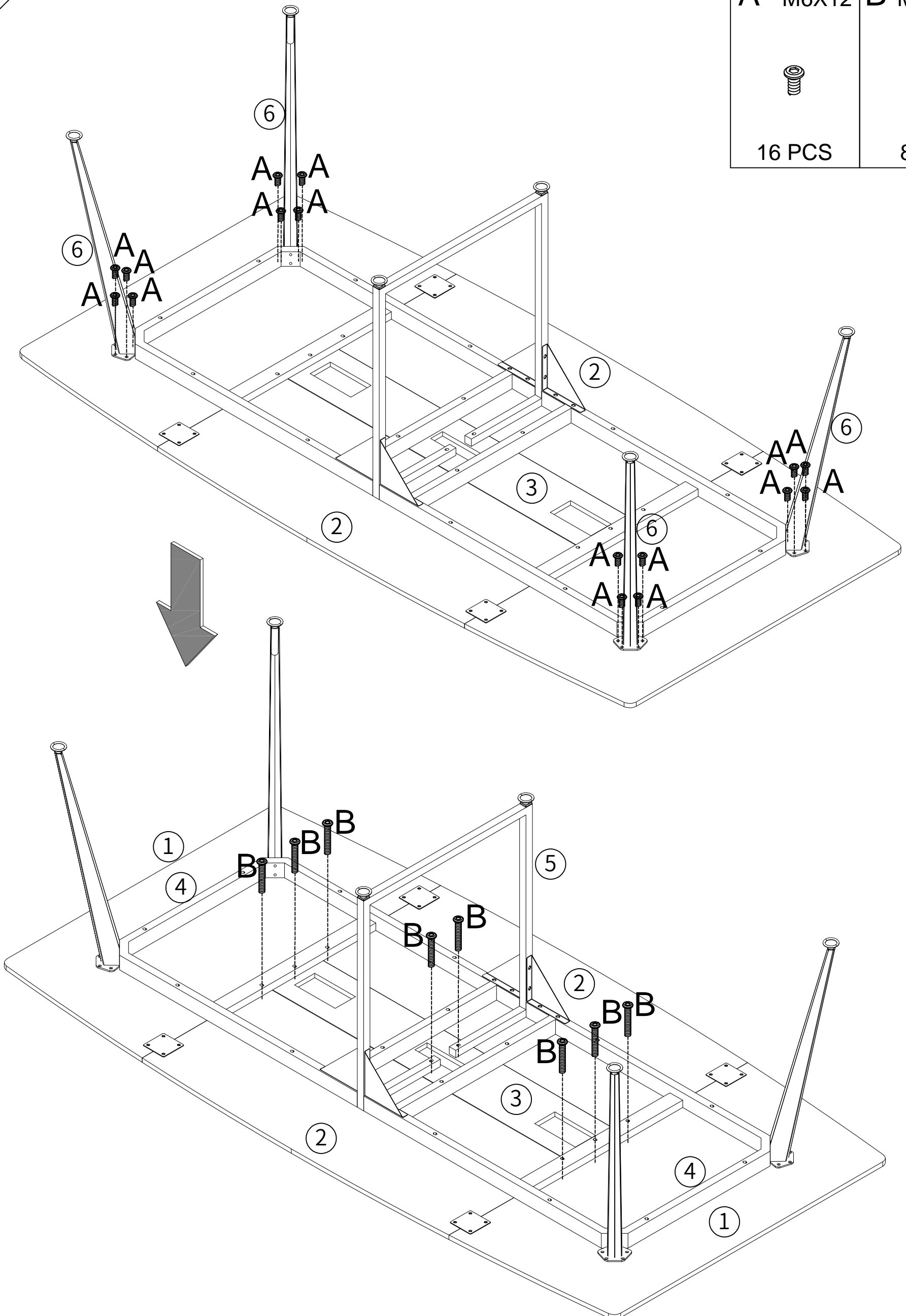
16 PCS

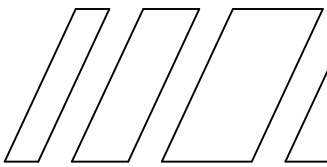


FTOFOD-6021

8

A M6X12	B M6X35
	
16 PCS	8PCS





FTOFOD-6021

9

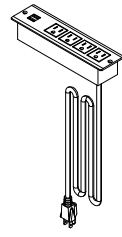
D M3.5X14

G

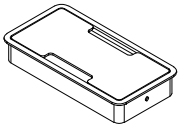
H



2 PCS



1 PCS



2 PCS

