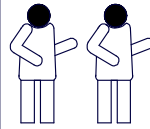
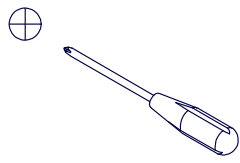


75
150
80





C x 1
CA2470

U x 1
FS1879

BU2444

G122 x 4
FG0122



H122 x 4
FH0122



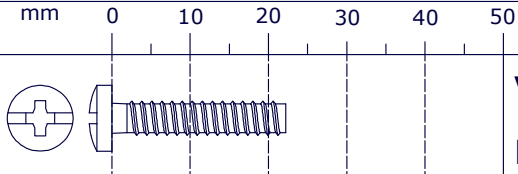
T7 x 4
FT0007



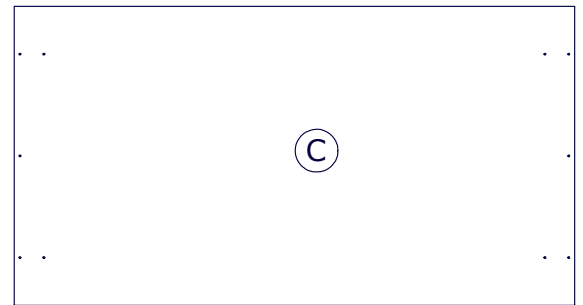
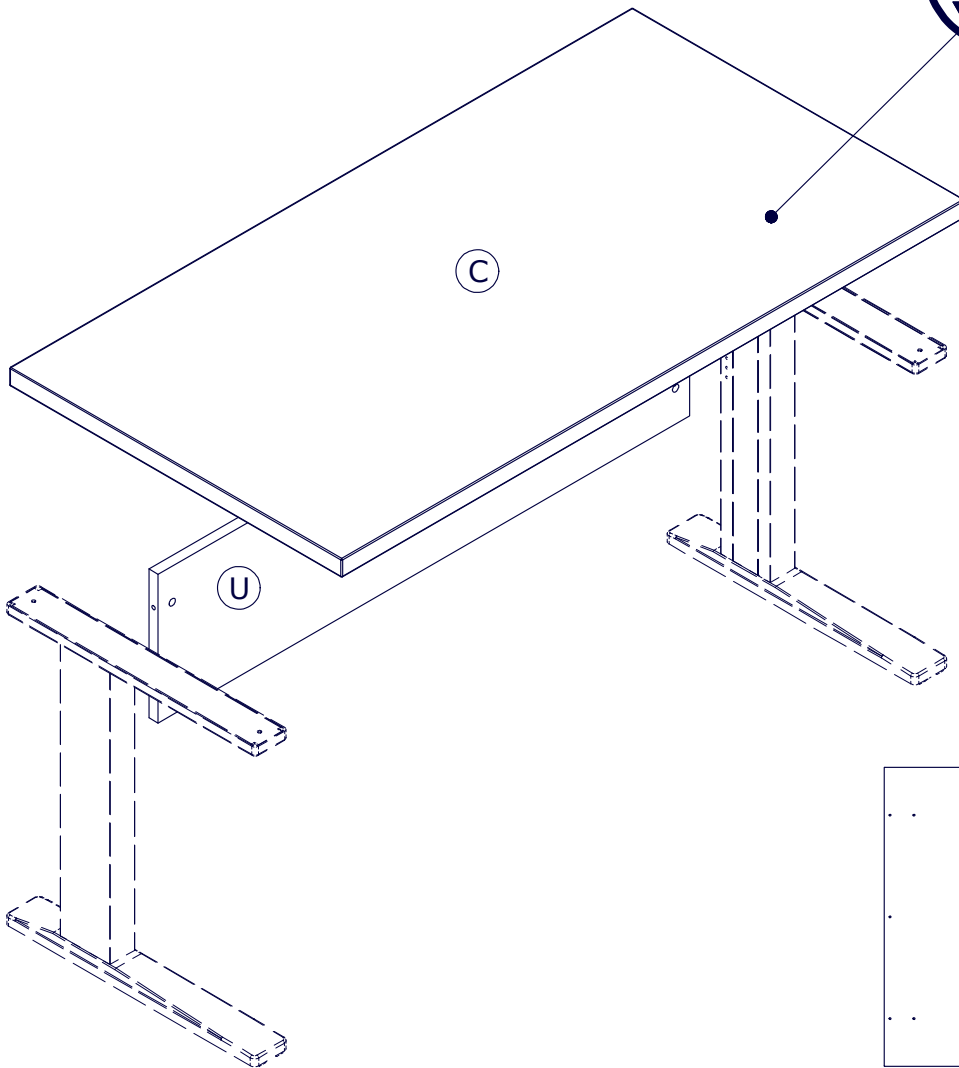
T105 x 4
FT0105



BU2444



V118 x 4
FV0118

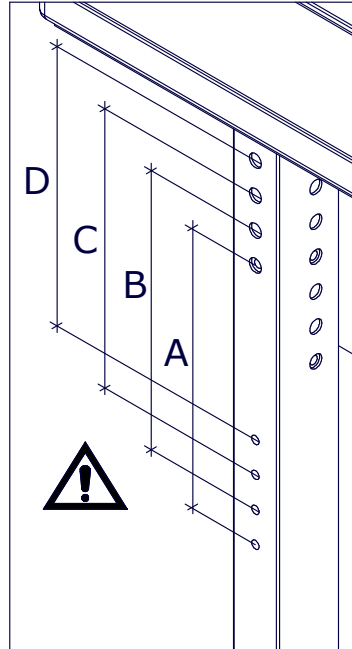
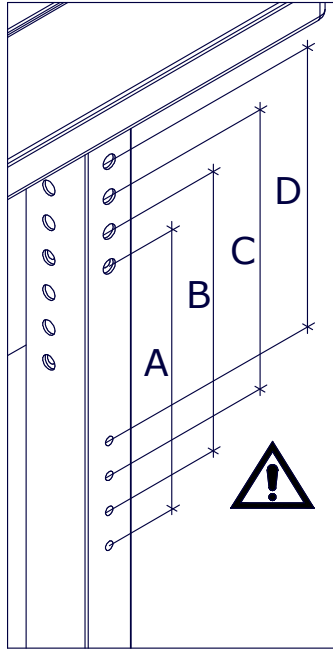
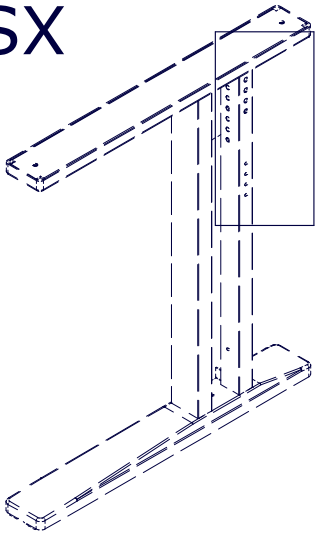


• **CA2470**
1500x800x38mm

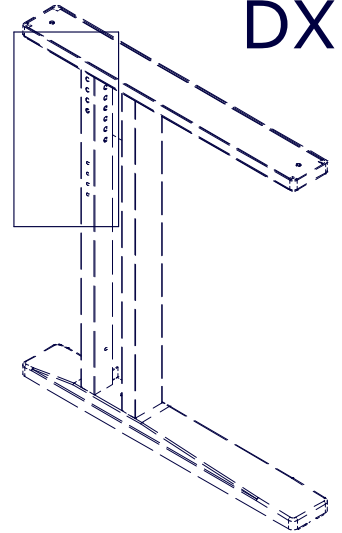


• **FS1879**
1280x310x22mm

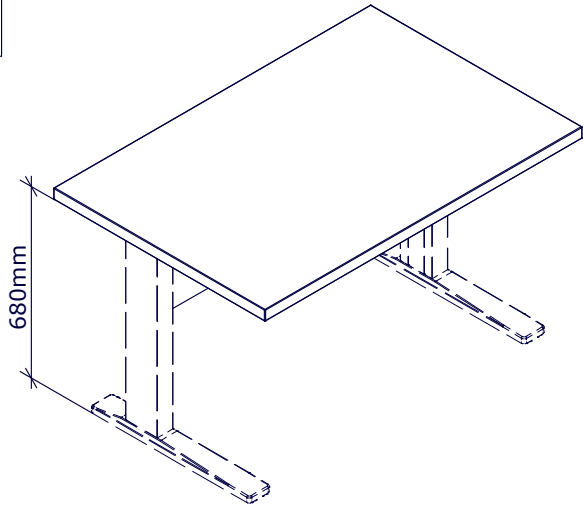
SX



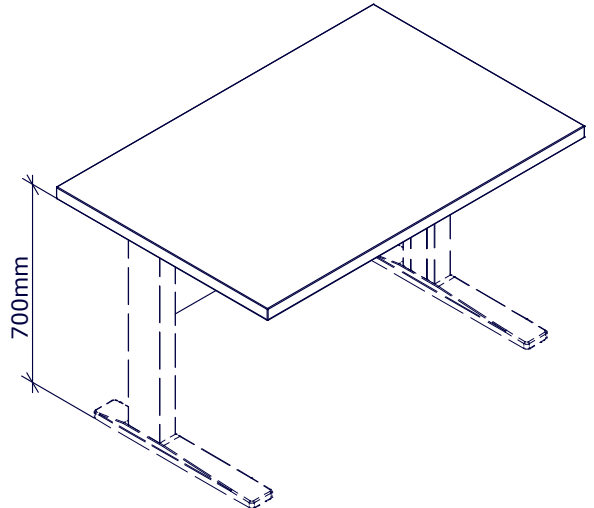
DX



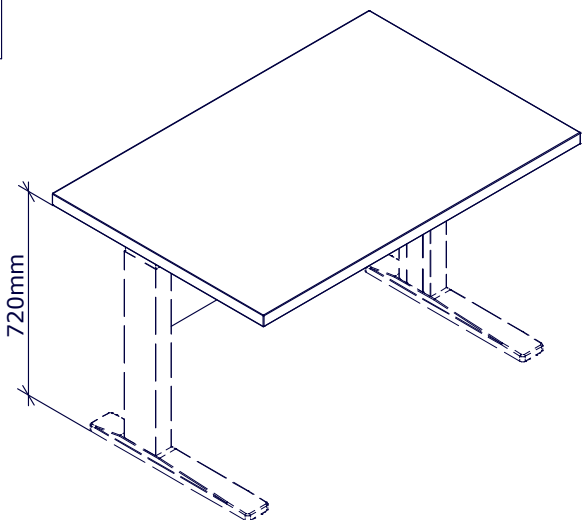
A



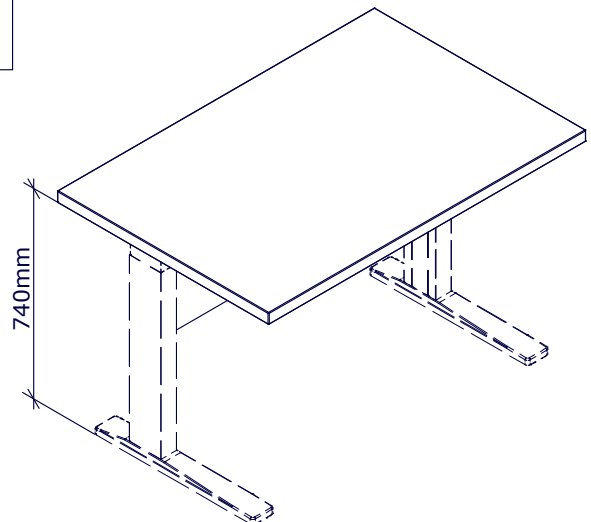
B



C

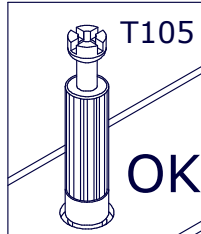


D

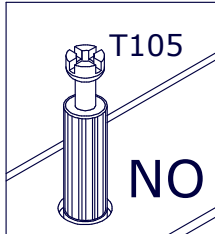


1

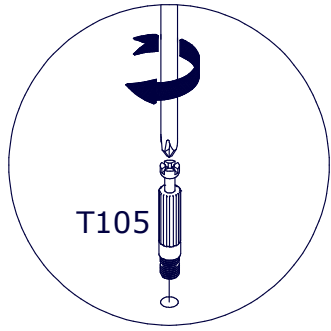
T105 x 4



OK



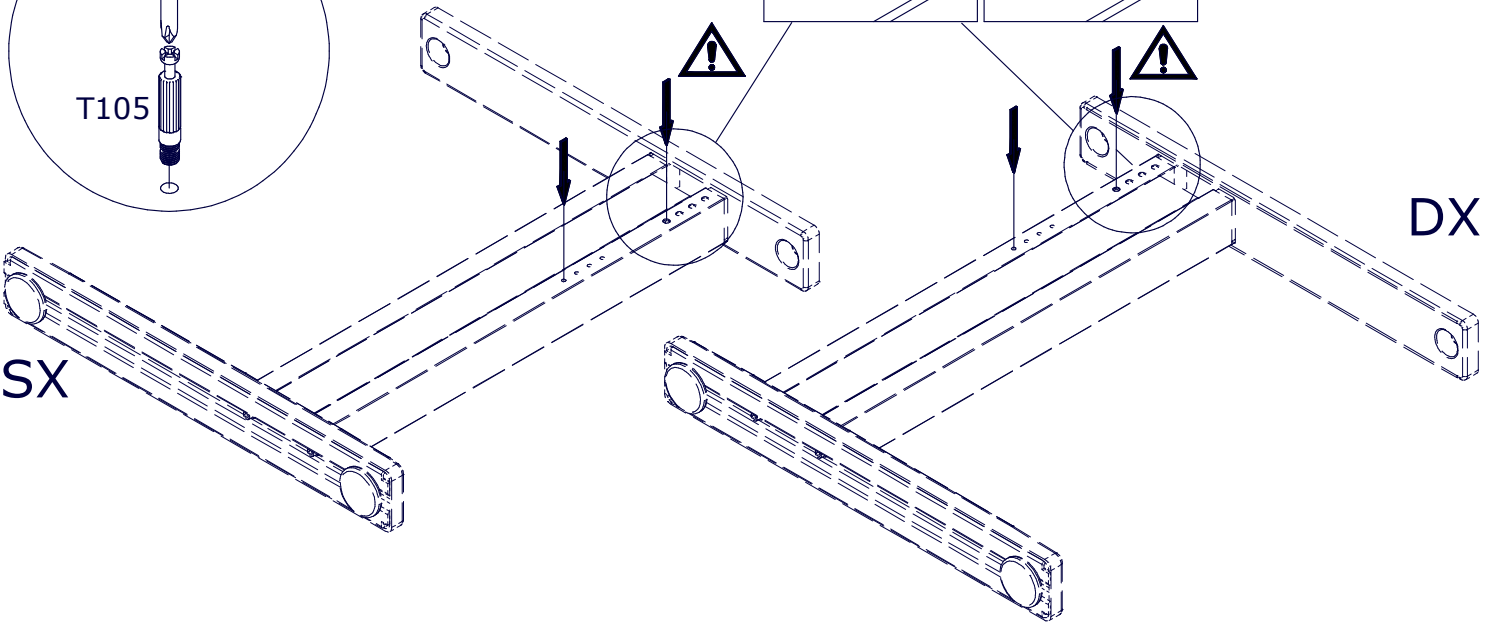
NO



T105

SX

DX

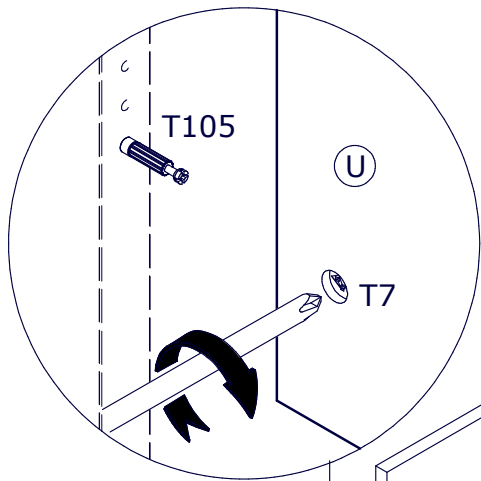
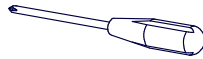


2

G122 x 4



T7 x 4



T105

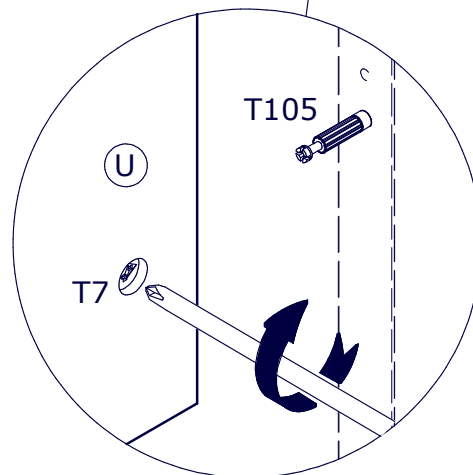
U

T7

U

DX

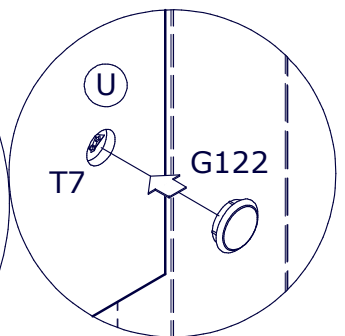
SX



T105

U

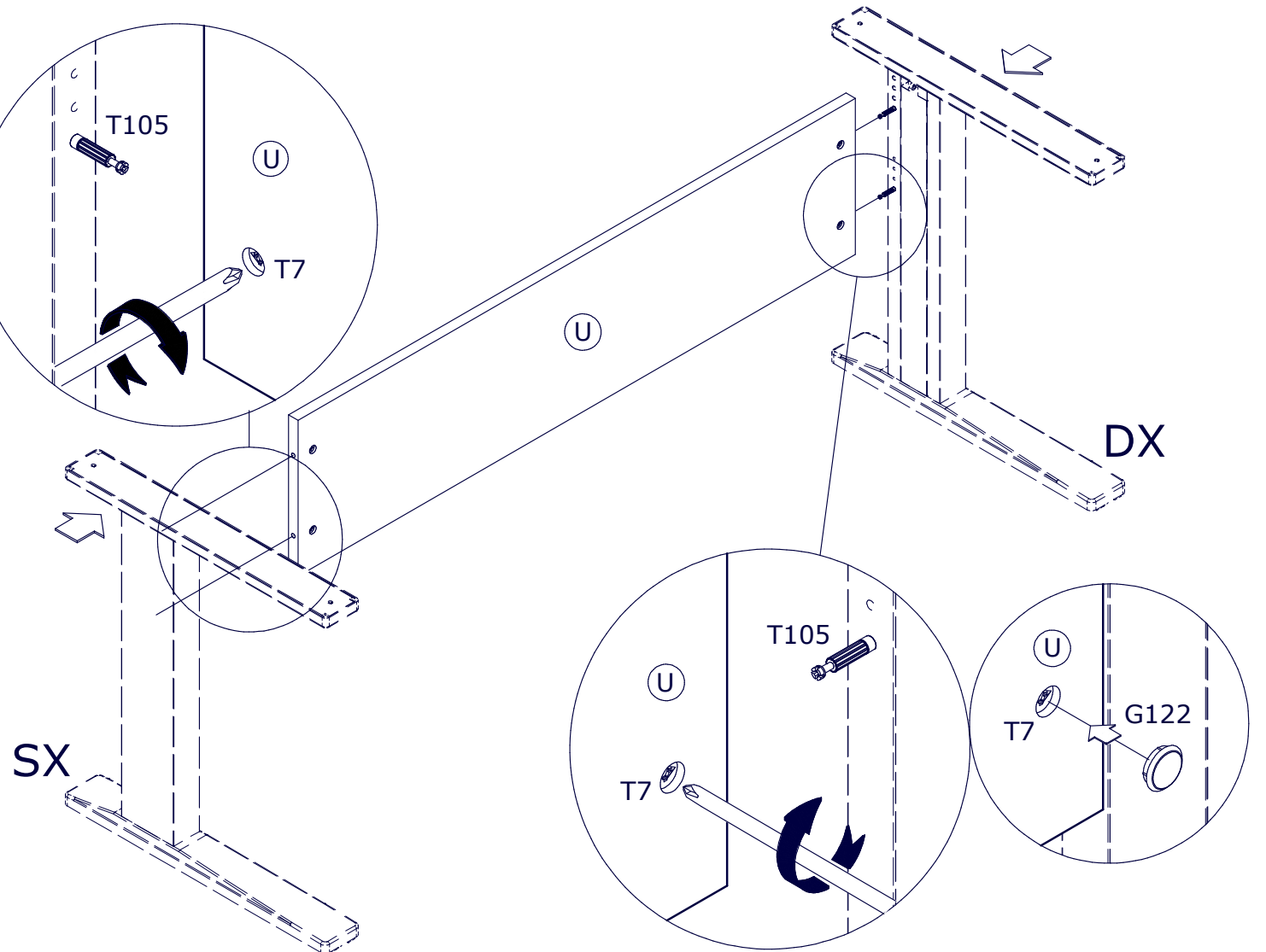
T7



U

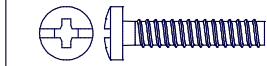
T7

G122



3

H122 x 4



V118 x 4

