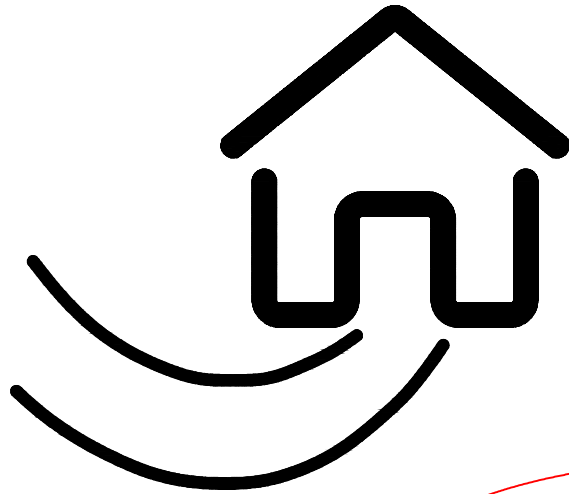


HAPPINESS INSTALLATION



CAUTION

Parts are placed at the bottom of the product.

- If you have any questions with the product, please contact us by:
- Email: customerservice@zoy-living.com**
(we will reply to you within 24 hours)

Assembly Instructions

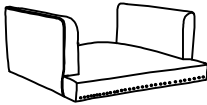

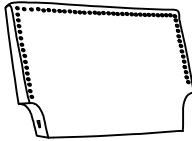
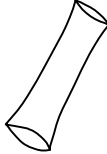
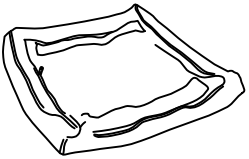
1086




Your recliner comes packaged in one box. Carefully remove all of components from the packaging and set aside for assembly.





CAUTION:

DO NOT use any sharp objects to open plastic wrapped components as damage to product or components may result.

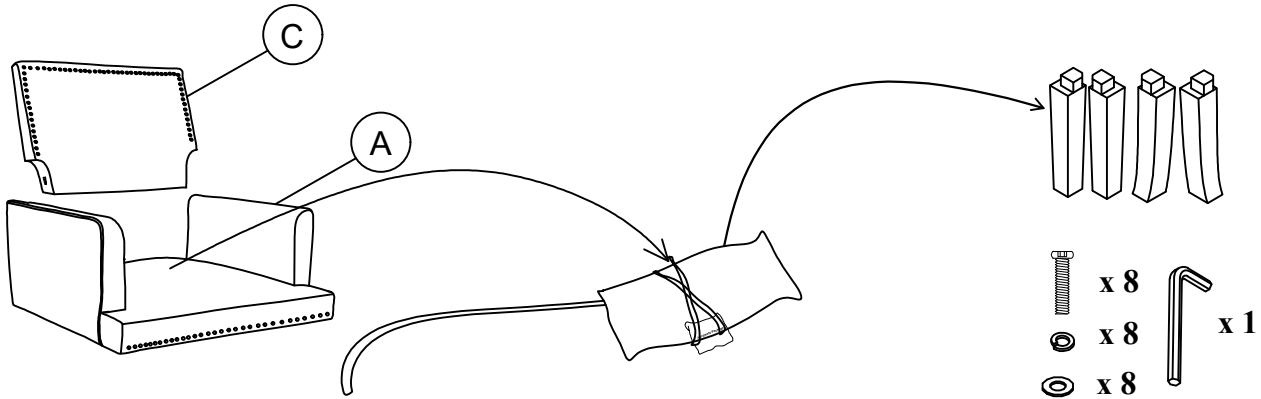
Package Contents

				
A 1*Chair cushion	B 1*Compression Cushion Liner	C 1*Back cushion	D 1*Lumbar pillow	E 1*Cushion Fabric Cover

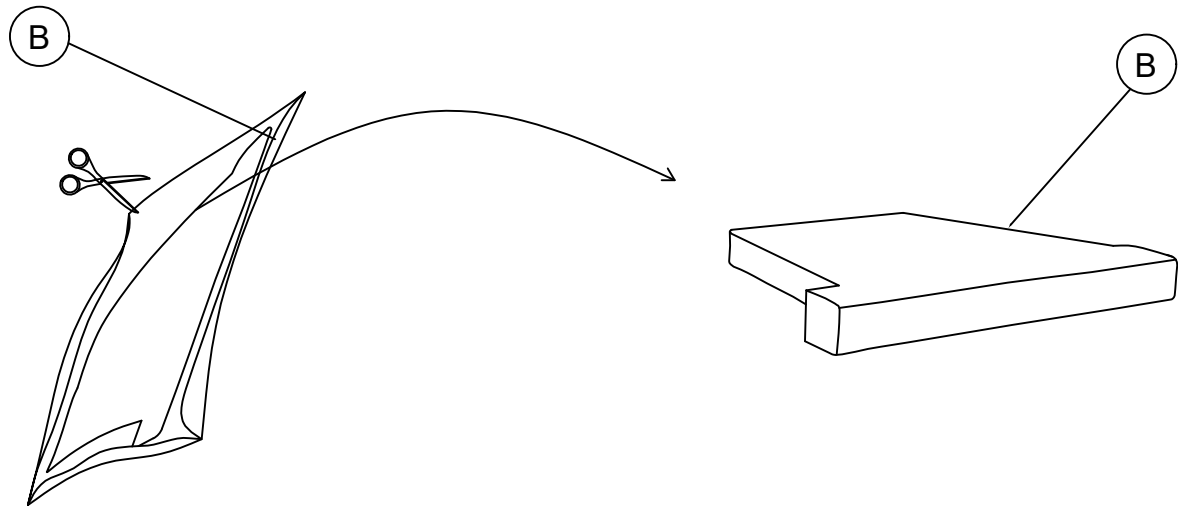
		
F 2* Legs	G 1*Rear Right Leg	H 1*Rear Left Leg

			
I 8*Bolts 5/16*60mm	J 8*Flat Washers	K 8*Lock Washers	L 1*Allen Wrench

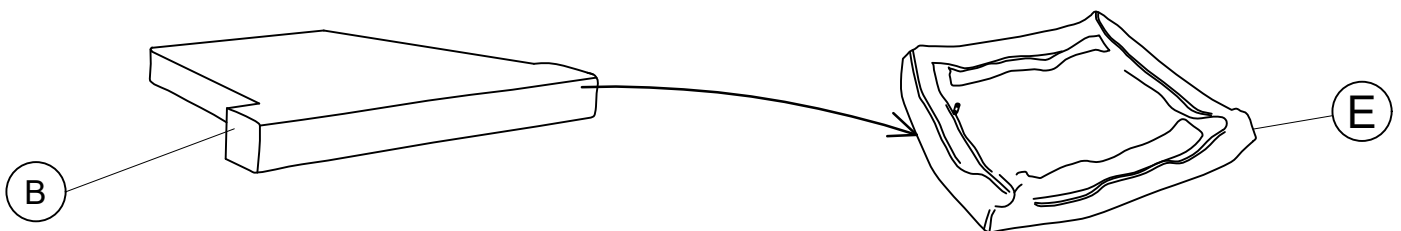
Step 1# Assemble the chair on a flat and soft surface either on a carpet or cloth to prevent the finish from scratching. To locate the hardware, lay the Chair cushion (A) upright and you will find the components underneath the Back cushion (C), behind the Chair cushion (A).



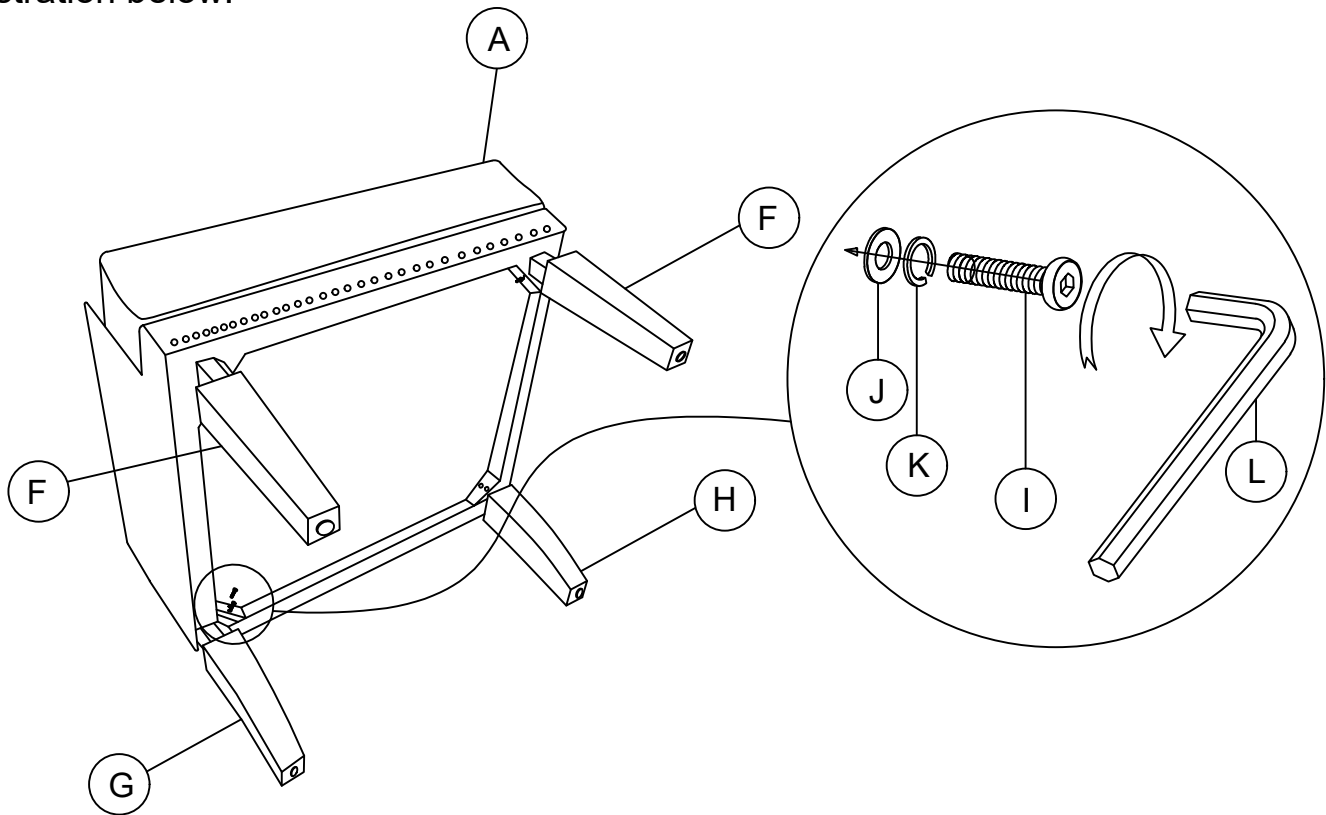
Step 2# Use scissors to cut open the compression packaging bags of Compression. Compression Seat Cushion(B), take out Compression and restore their height and elasticity.



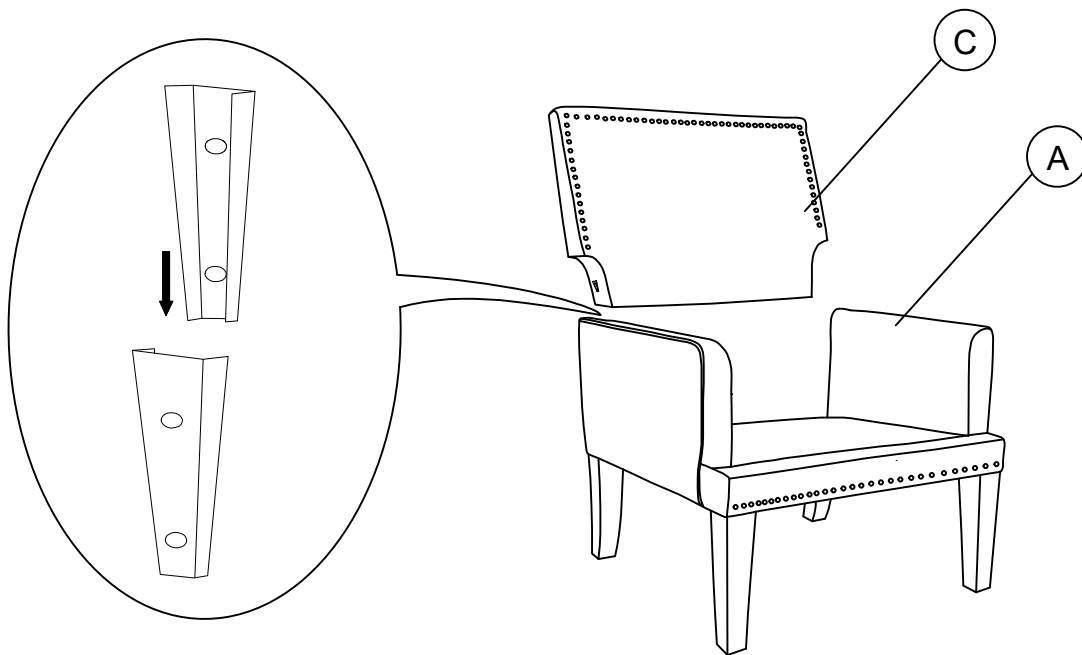
Step 3# Unzip the bottom of Cushion Fabric Cover(E) and tuck Cushion Liner (B) into Cushion Fabric Cover(E)



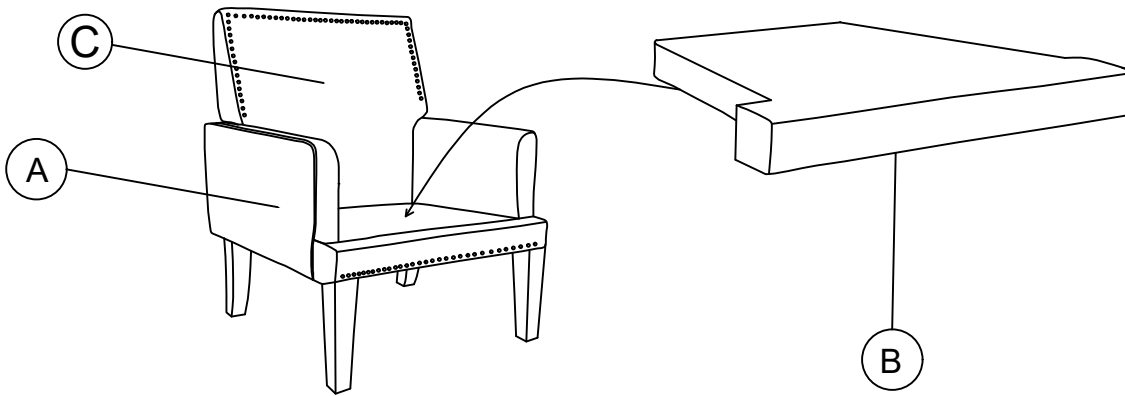
Step 4# Insert legs (F, G, H) to corresponding holes. Lock the legs to the chair top using allen wrench(L) to loosely tighten bolts(I), lock washers(K), flat washers(J) as illustration below:



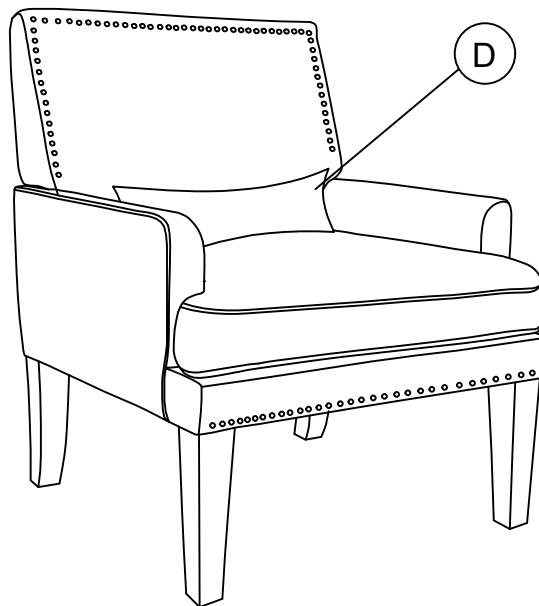
Step 5 # Attach the back cushion (C) to the seat cushion (A) by sliding the receivers into the mechanism posts located on the seat cushion (A).



Step 6# Insert Seat Cushion(B) on the chair by velcro.



Step 7# Assembly is complete.



ATTENTION!!

Bolts may loosen during normal everyday use. They should be periodically inspected and re-tightened to prevent damage or injury. Always check to ensure that all hardware is kept tightened.

Warnings

1. Please check if the components of the chair are all included and can be used normally.
2. Assemble all components according to the instruction correctly.
3. If the chair is damaged or doesn't match the website description, please send clear pictures of the product and label of the carton to our service team for further help.

If the chair still doesn't assembly, please feed the information back to our customer service in time and we'll help you solve the matter as soon as possible

4. If you have any questions with the product, please contact us by:

Email: customerservice@zoy-living.com(we will reply to you within 24 hours)