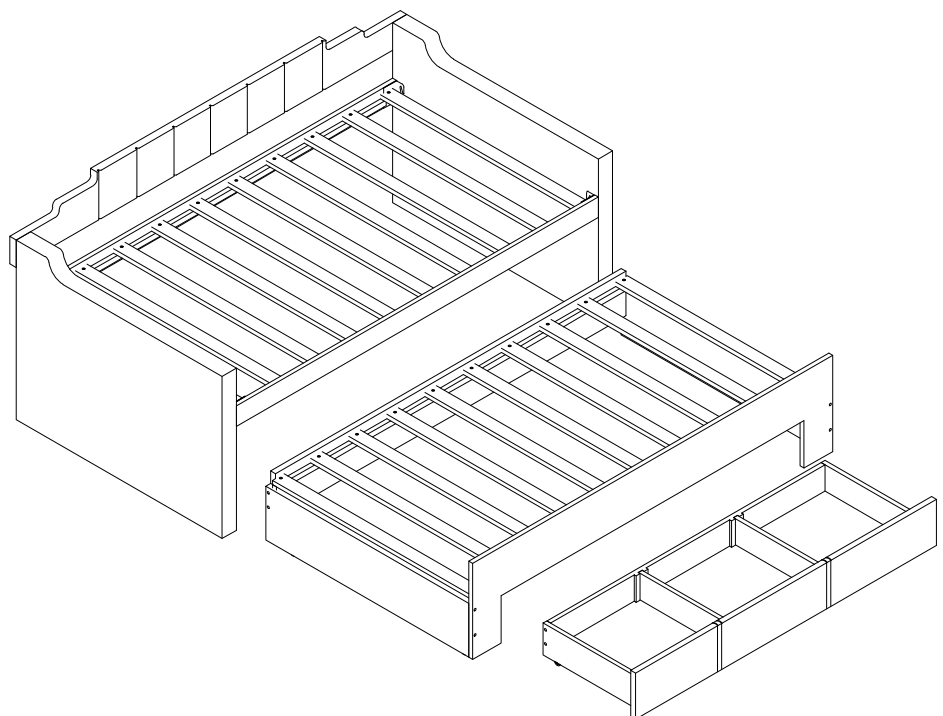
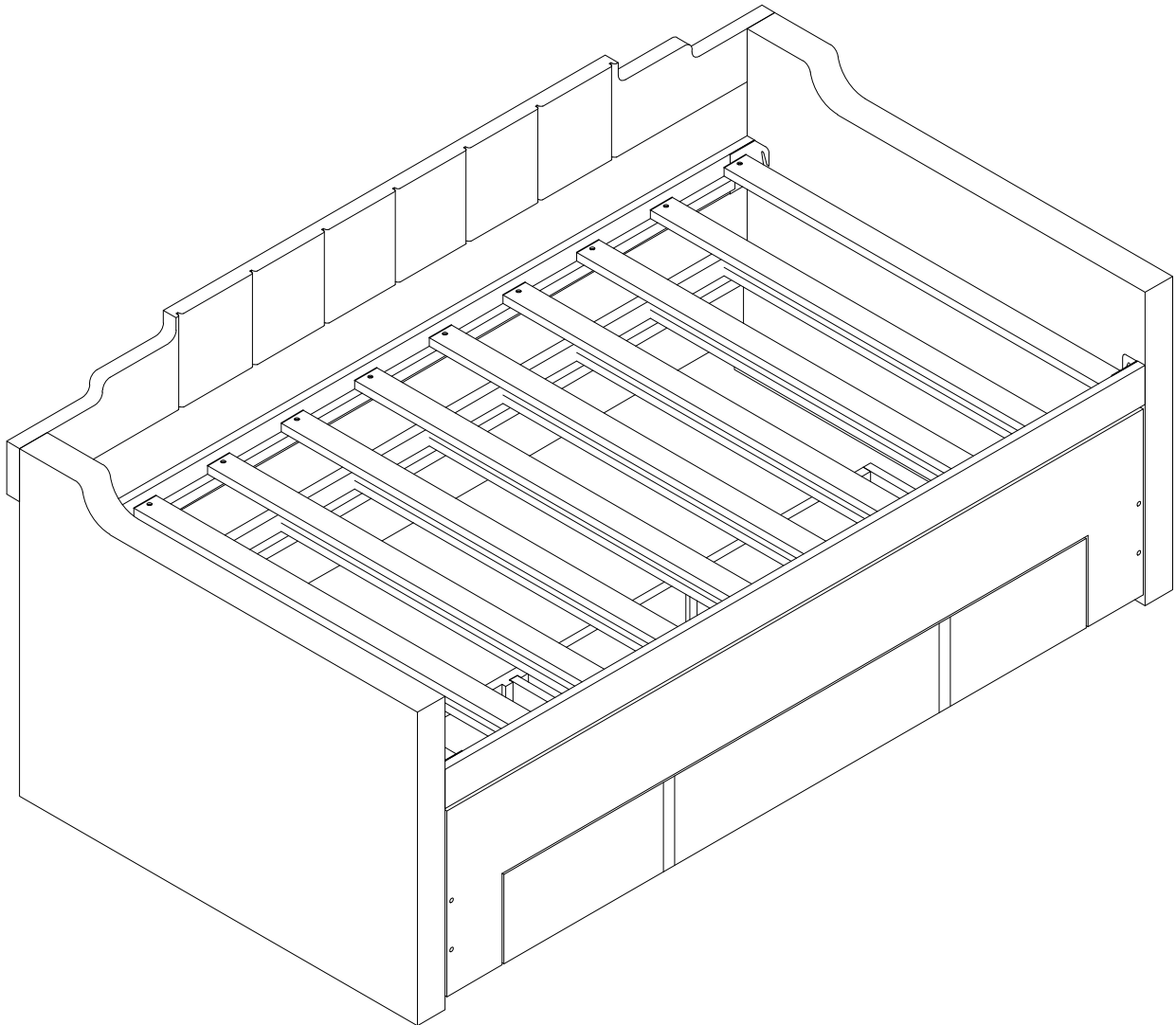
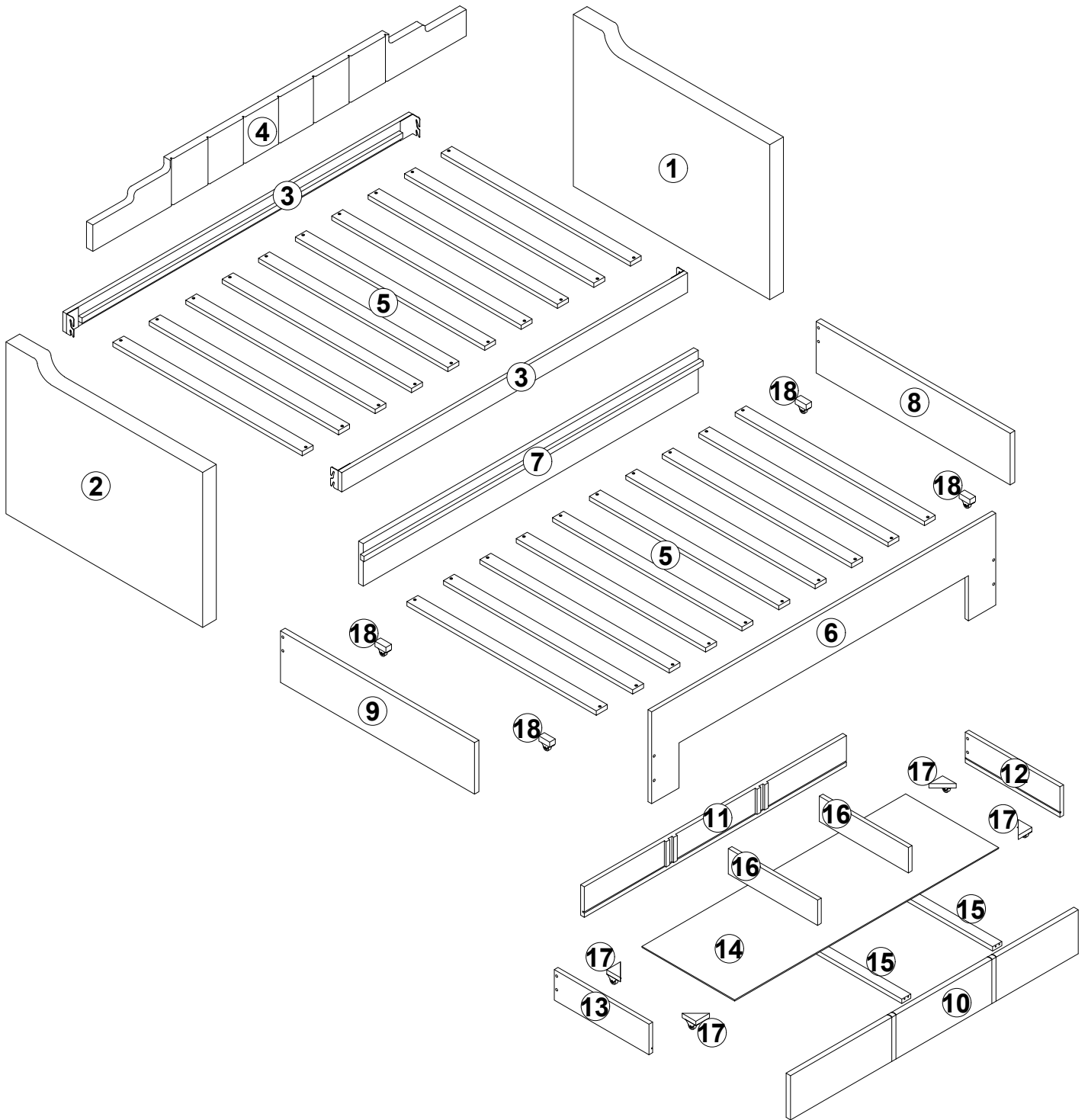


ASSEMBLY INSTRUCTION

SKU CODE: WF293096/WF293097

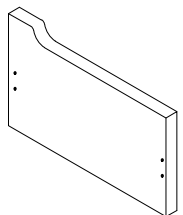
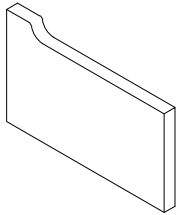
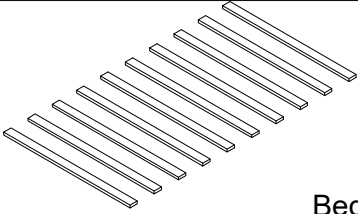
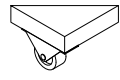
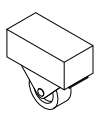


Detail view -TWIN BED WITH DRAWER AND TRUNDLE

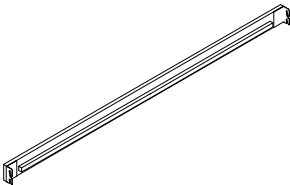
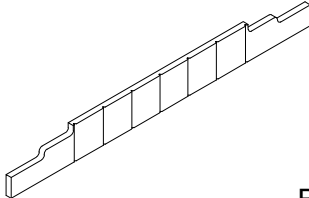
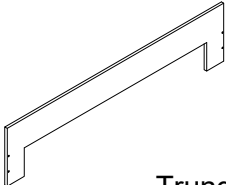
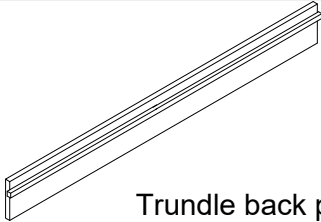
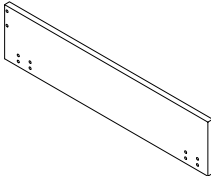
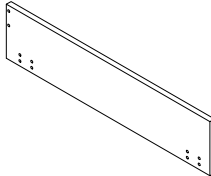
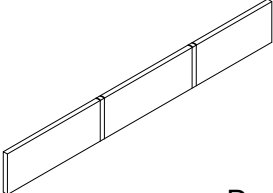
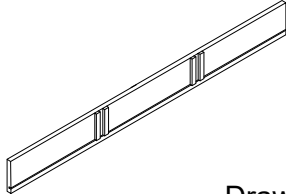
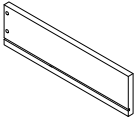
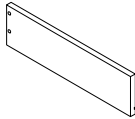
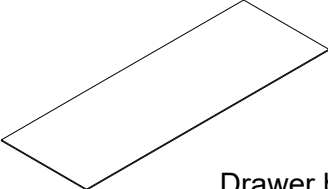
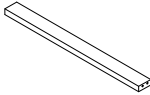
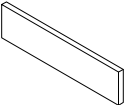


Identifying the Hardware - Identify the hardware using the illustrations below.


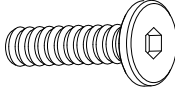


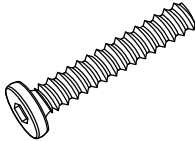
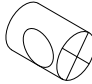
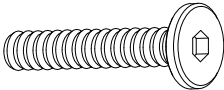


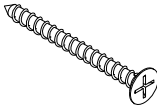
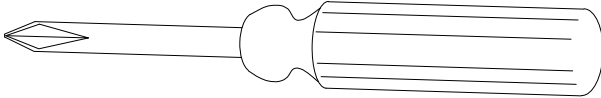
Part Lists: WF293096

<p>1</p>  <p>Headboard-1pc</p>	<p>2</p>  <p>Footboard -1pc</p>
<p>5</p>  <p>Bed slat -20pcs</p>	<p>17</p>  <p>Drawer corner support -4pcs</p>
<p>18</p>  <p>Trundle wheel support -4pcs</p>	

Part Lists: **WF293097**

3		4	
Side rail - 2pcs		Back panel -1pc	
6		7	
Trundle front panel-1pc		Trundle back panel -1pc	
8		9	
Trundle right panel-1pc		Trundle left panel -1pc	
10		11	
Drawer Front -1pc		Drawer back -1pc	
12		13	
Drawer right -1pc		Drawer left -1pc	
14		15	
Drawer bottom -1pc		Drawer bottom support -2pcs	
16			
Divise panel -2pcs			

Hardware Lists: WF293096

A  4mm Allen key (1pc)	B  Ø5/16" x 25mm Hex-head bolt (8pcs)
C  Ø5/16" Spring washer (8pcs)	D  Ø5/16" Flat washer(8pcs)
E  Ø1/4" x 50mm Hex-head bolt (4pcs)	F  Ø1/4" Barrel nut (4pcs)
G  Ø1/4" x 40mm Hex-head bolt (12pcs)	H  Ø1/4" Spring washer (12pcs)
I  Ø1/4" Flat washer(12pcs)	J  Ø4 x 30mm Wood screw (72pcs)
 ASSEMBLY TOOLS REQUIRED (NOT INCLUDED)	



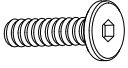
Read this instruction carefully. See hardware and furniture part list for guidance. Be sure all parts are complete, before you assemble. Place all wooden furniture parts on a clean and flat soft surface to prevent from being scratched. Follow the figure to start assembling.

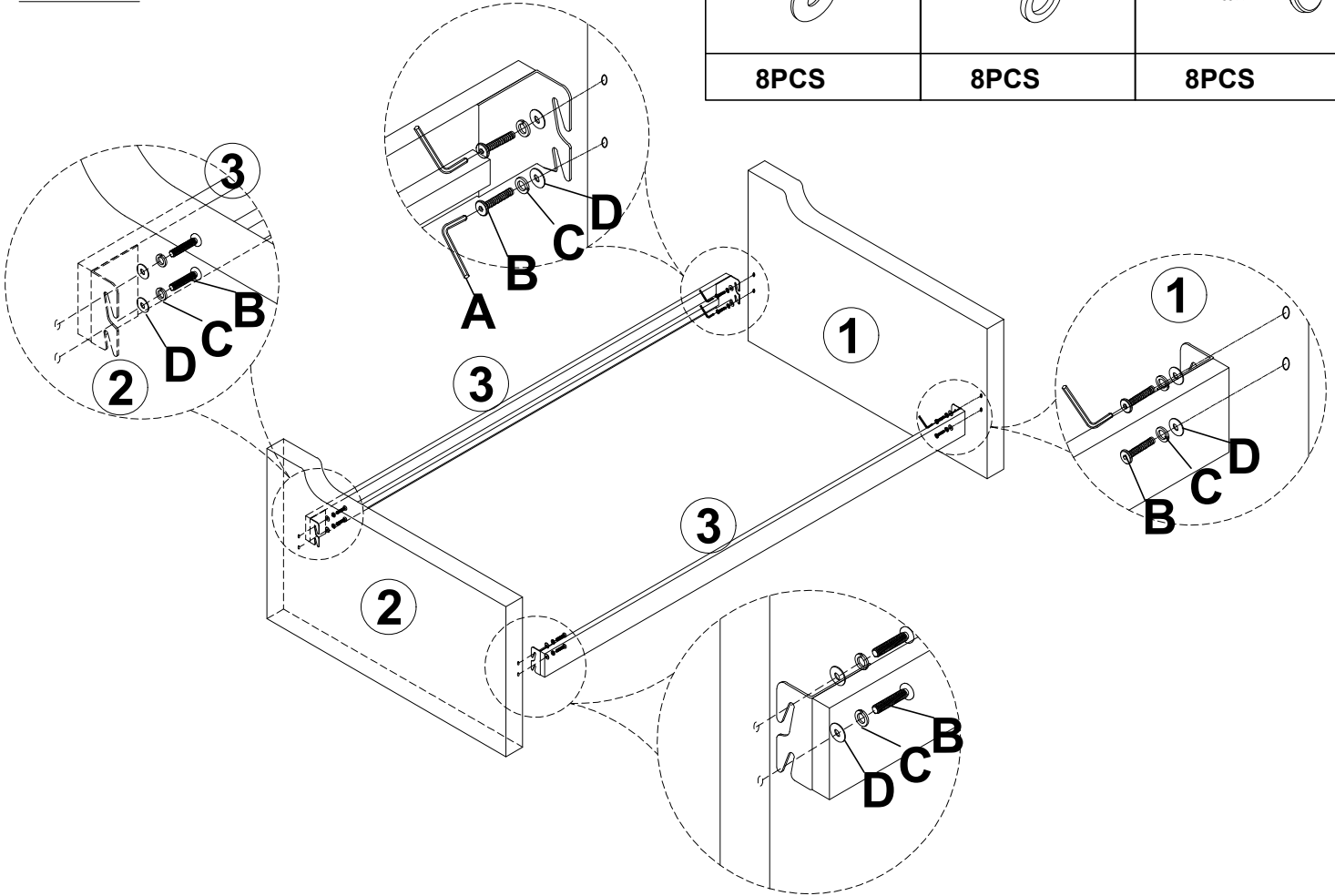
CAUTIONS :

1. Do not FULLY - TIGHTEN the nut or nut bolt until all nut or bolt is ready assembled.
2. Do not OVER - TIGHTEN the nut or bolt to avoid causing damages to the thread.
3. Keep all hardware parts out of reach of children.



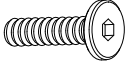
NOTE : THE LIST AND QUANTITY SHOWN ARE FOR 1 UNIT ASSEMBLY.

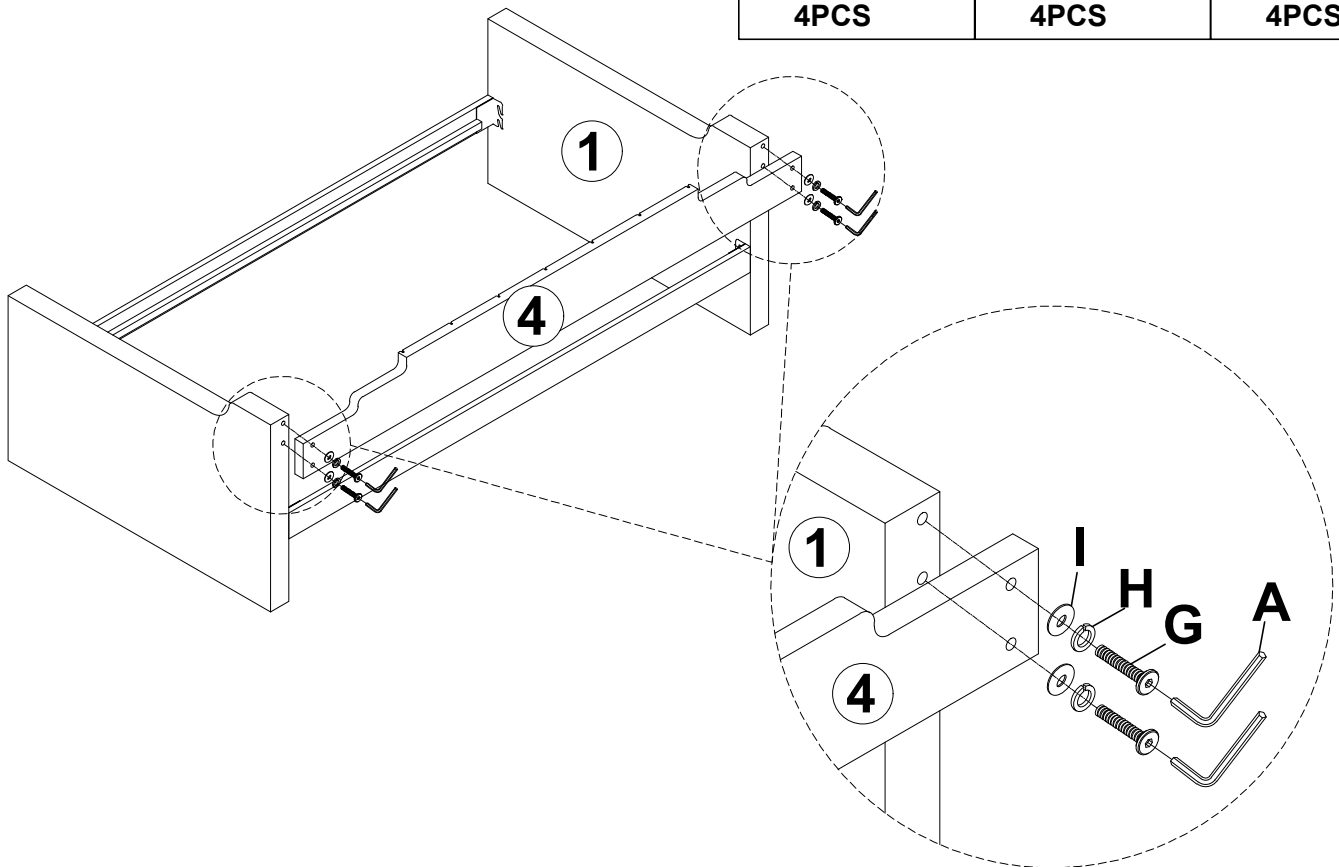
STEP 1

D		C		B	
8PCS		8PCS		8PCS	

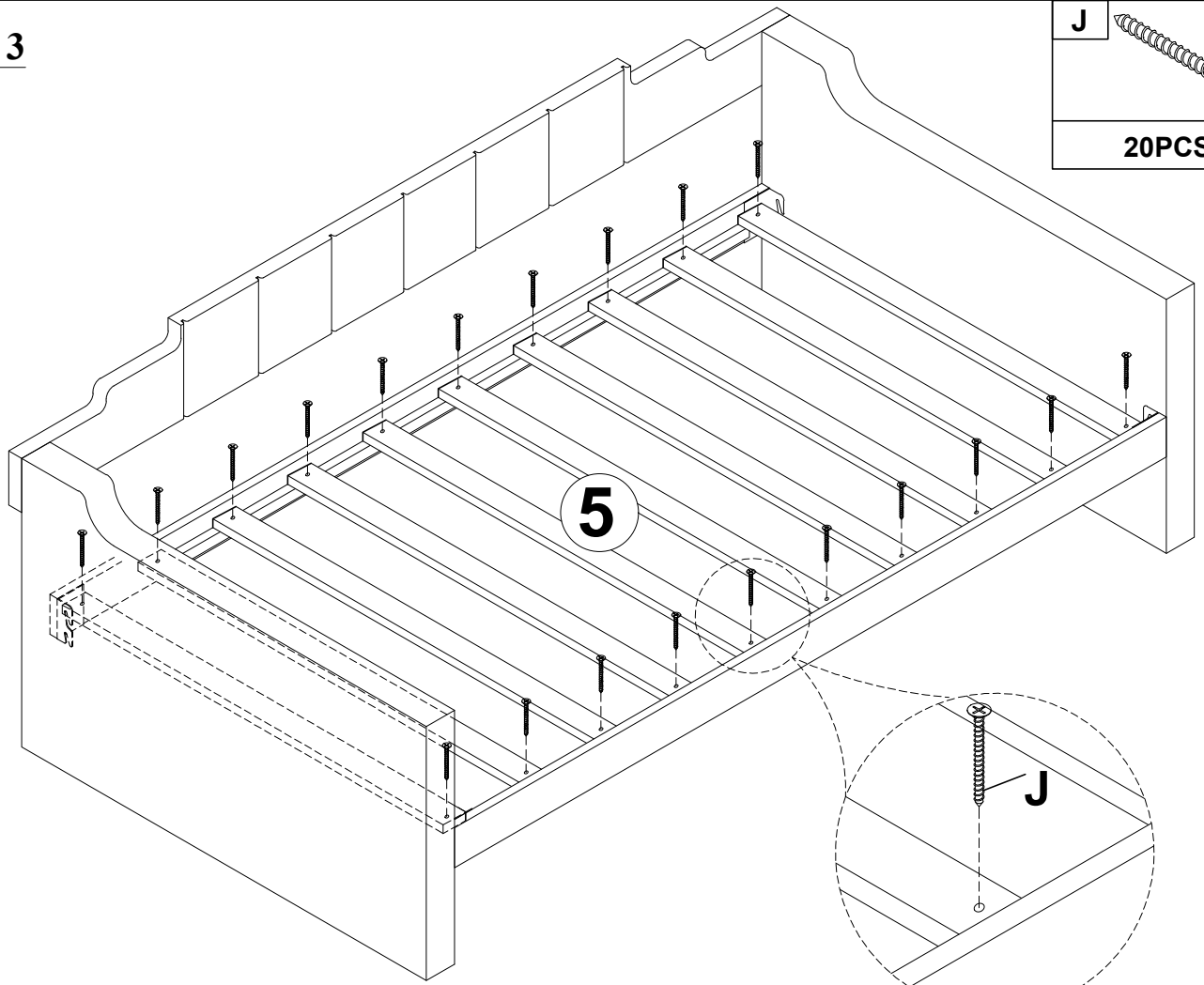


STEP 2

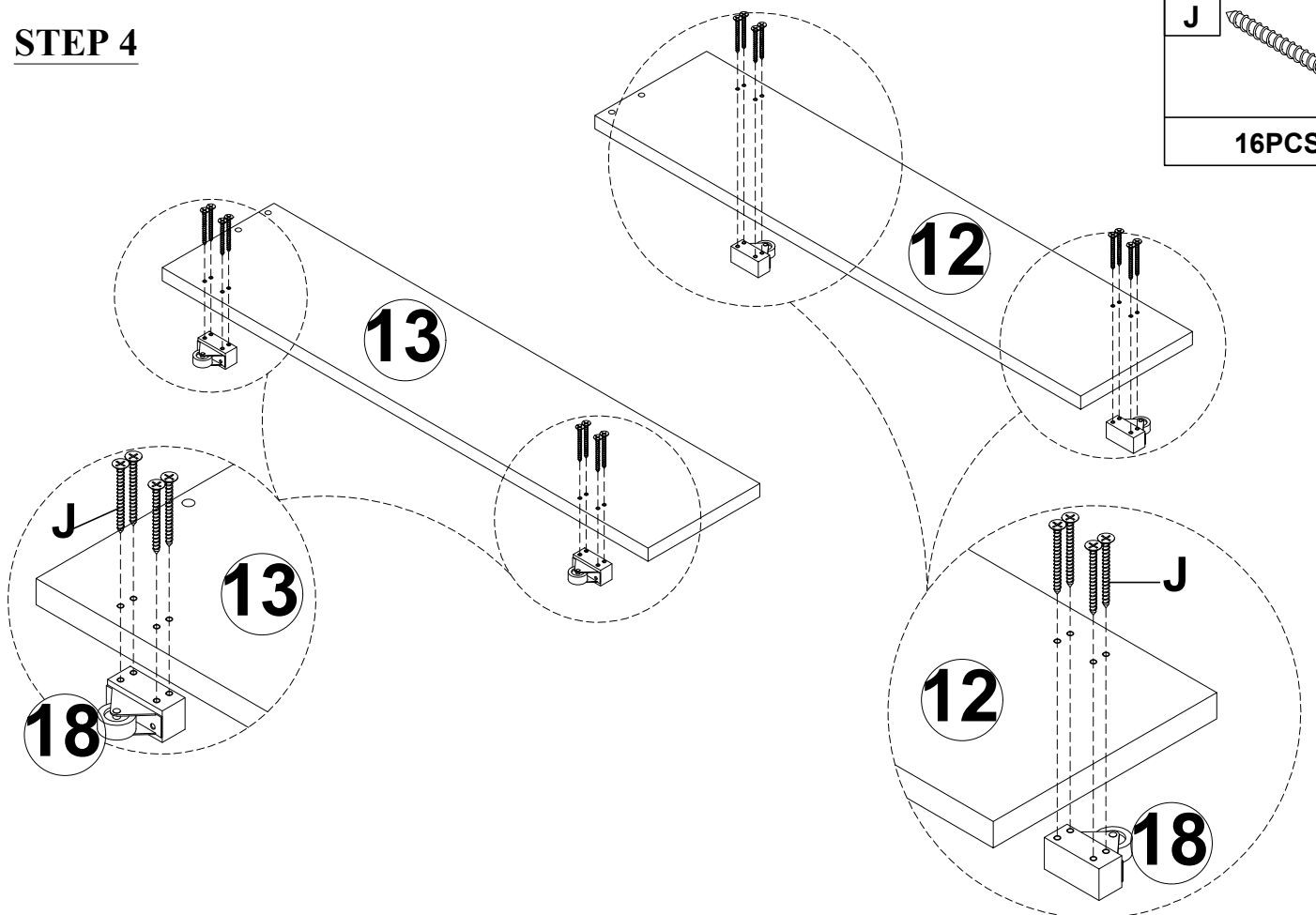
I		H		G	
4PCS		4PCS		4PCS	





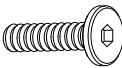
STEP 3

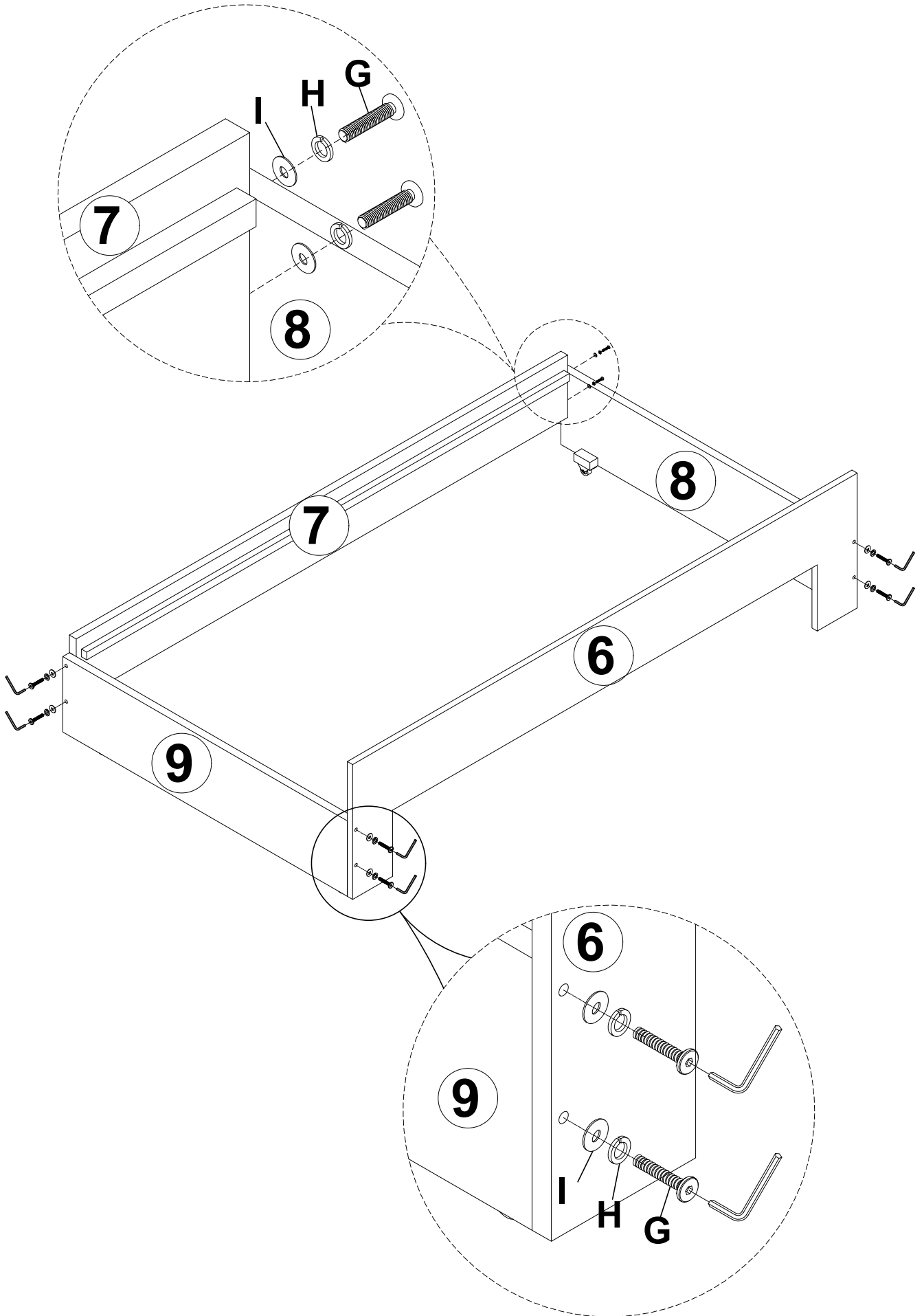


STEP 4



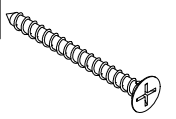
STEP 5

I		H		G	
8PCS		8PCS		8PCS	

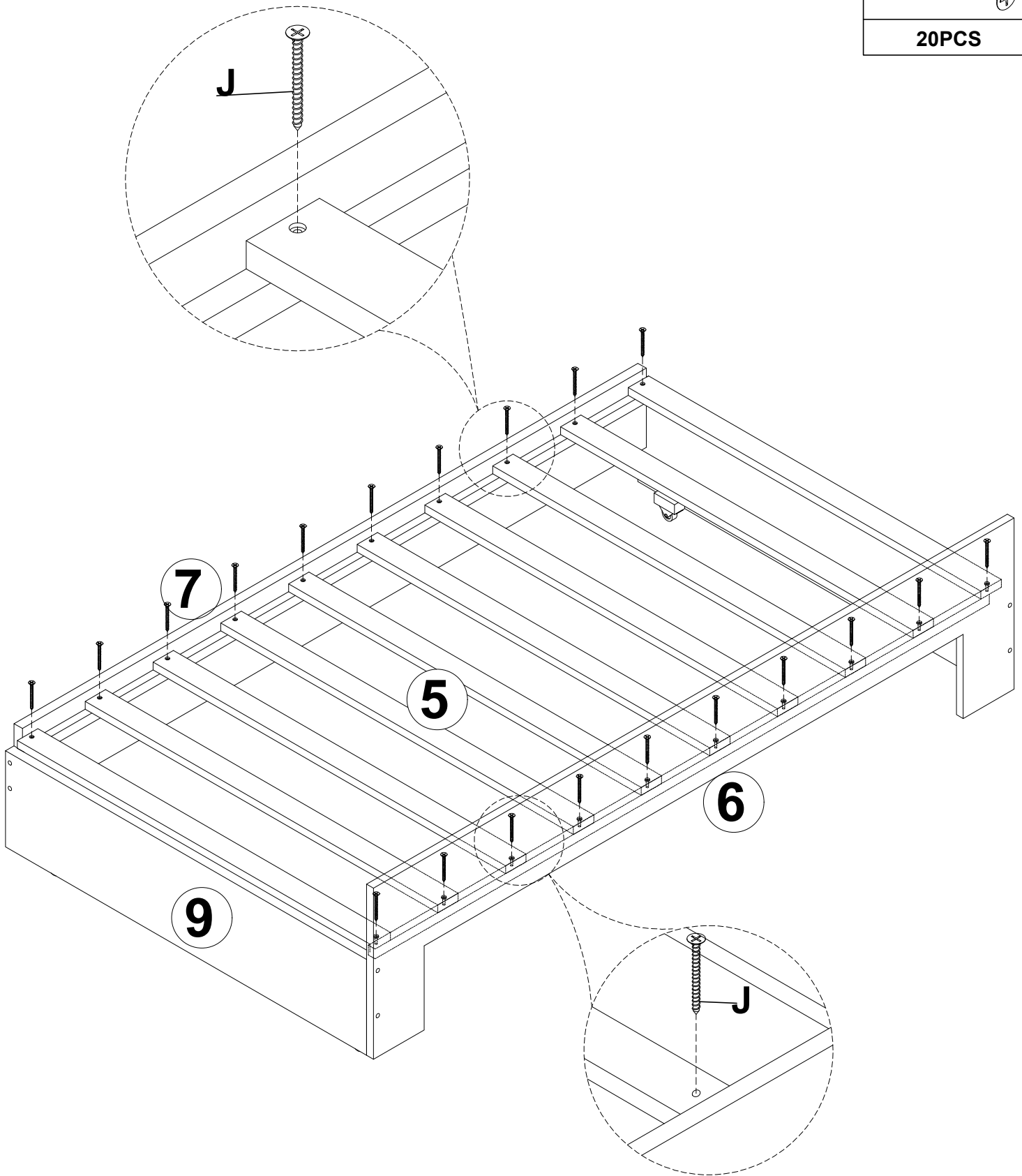


STEP 6

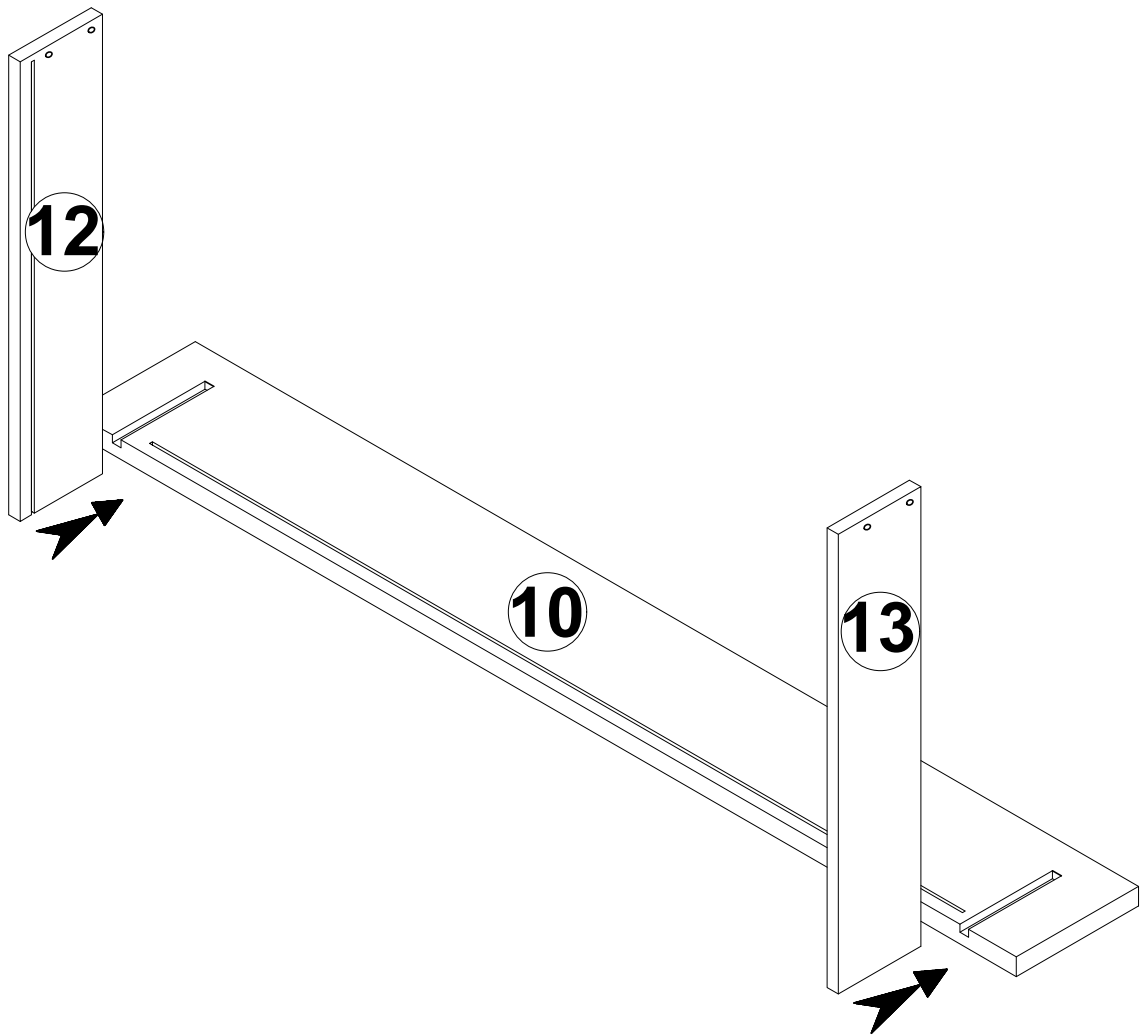
J



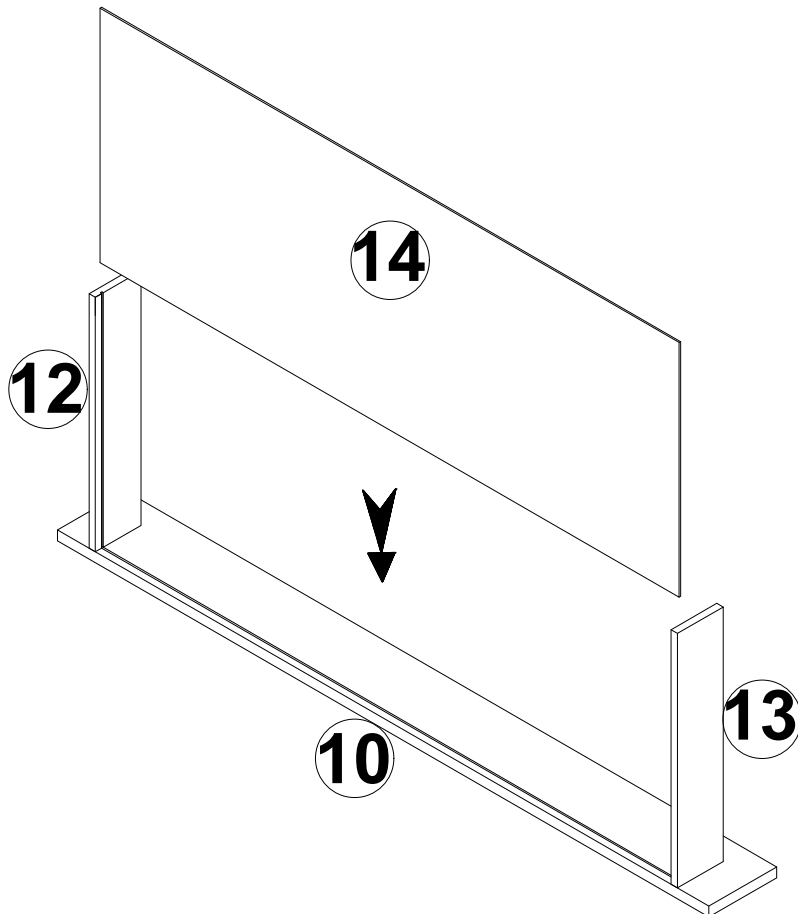
20PCS




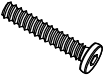
STEP 7

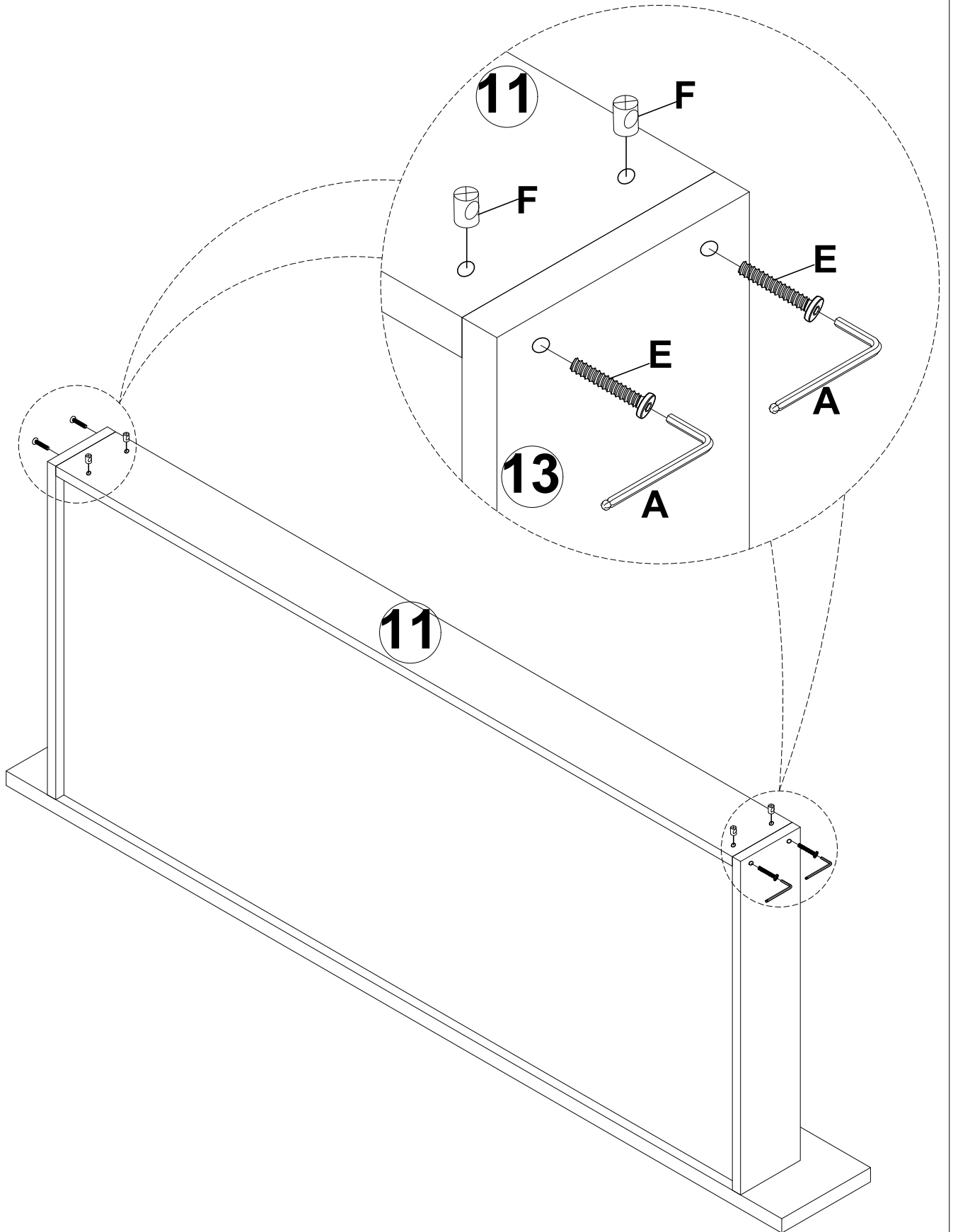


STEP 8



STEP 9

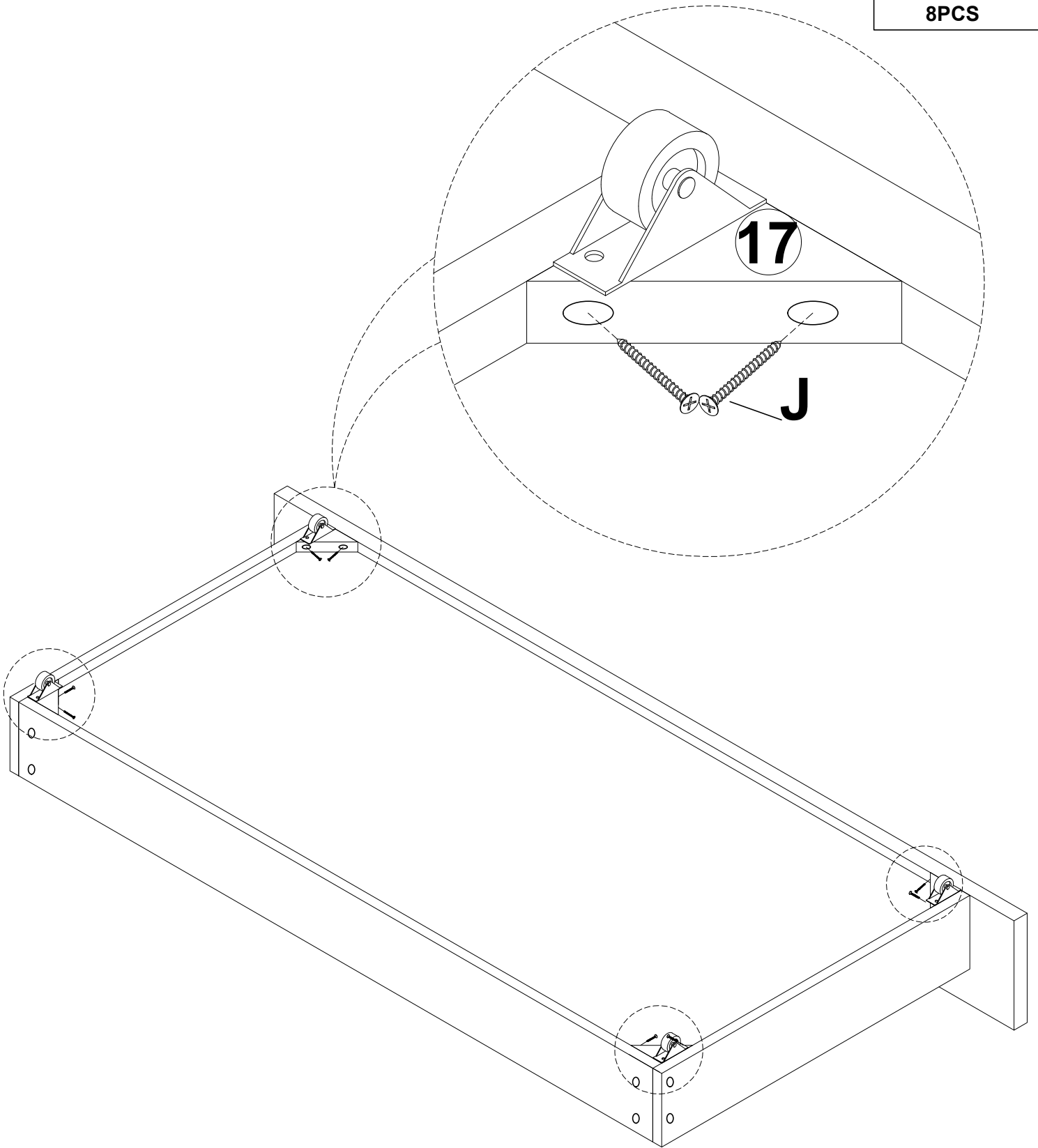
F 	E 
4PCS	4PCS



STEP 10



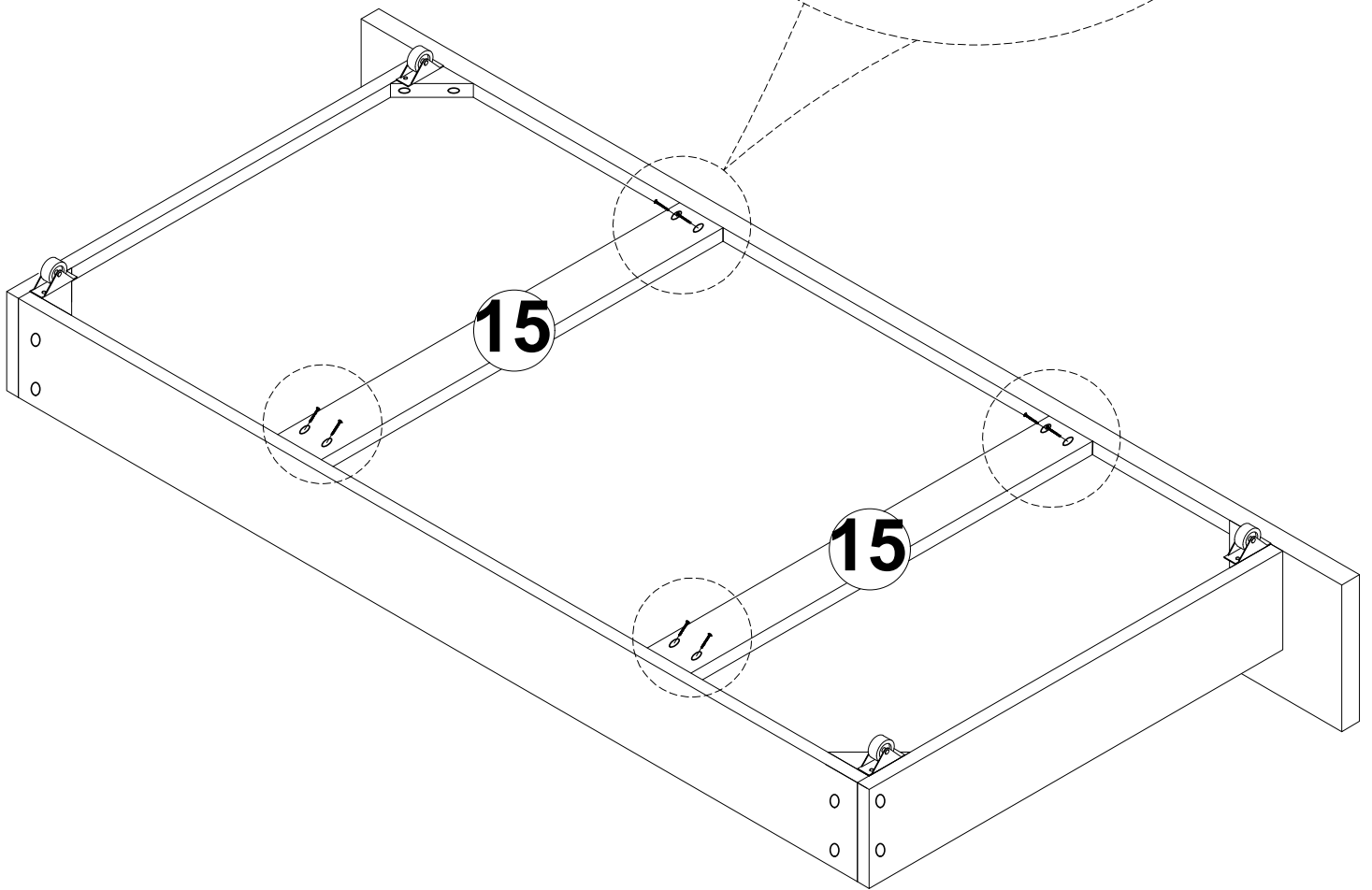
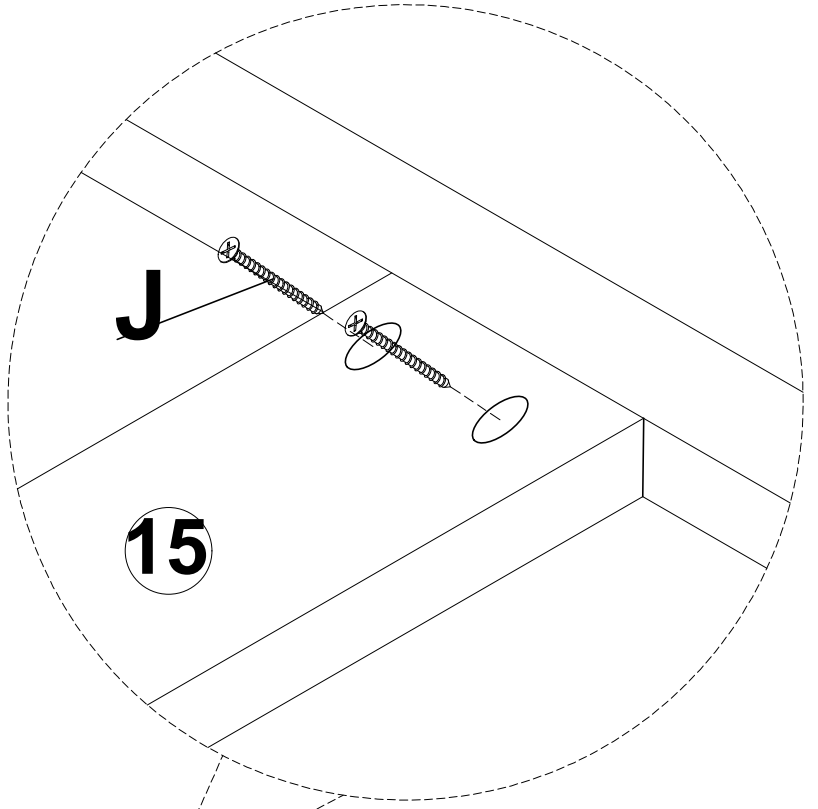
8PCS



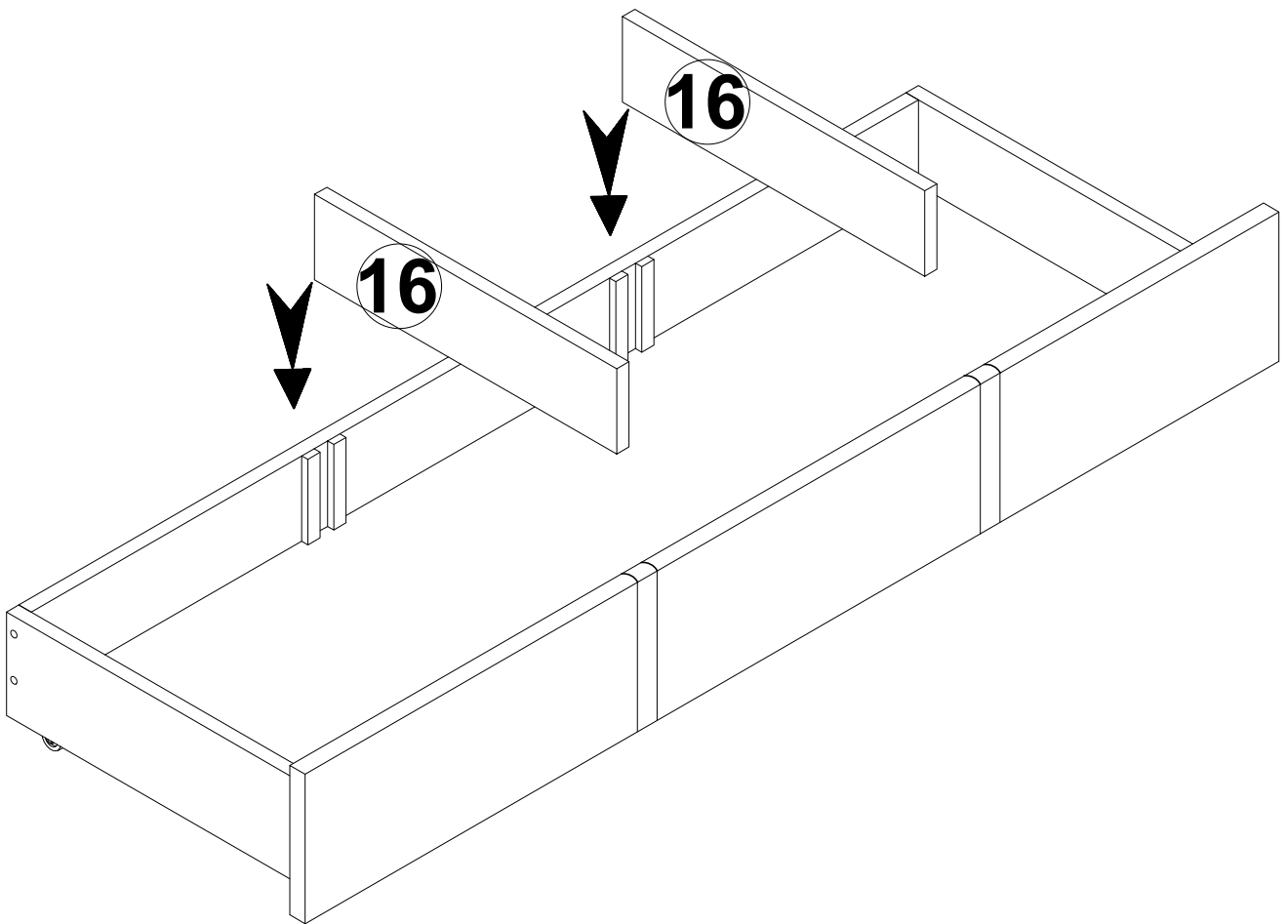
STEP 11



8PCS



STEP 12



STEP 13

