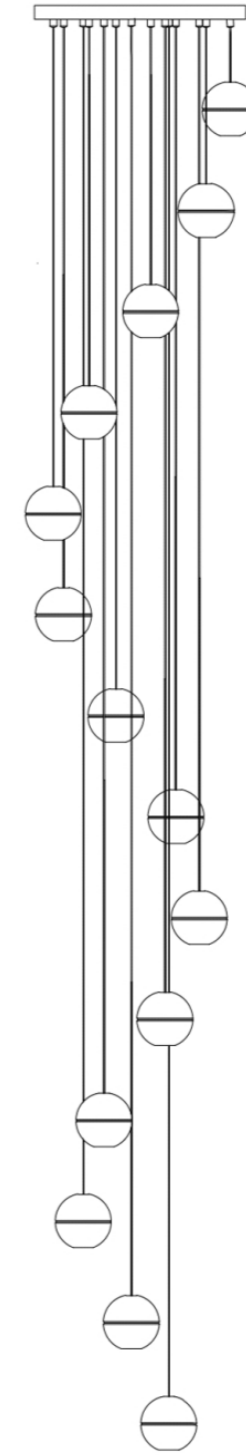


Manual Book



Safety & Warranty

IMPORTANT SAFETY INSTRUCTIONS

INSTALLATION BY A LICENSED ELECTRICIAN IS STRONGLY RECOMMENDED.

1. This fixture has been rated for 25-watt maximum Type G4 lightbulbs (included). To avoid the risk of fire, do not exceed the recommended wattage.
2. This fixture Not included the dimmable bulbs and dimmer. For dimming, please purchase replacement dimming bulbs and dimmers on your own.

WARNINGS

All wires are connected. When unpacking, be careful not to pull wires, as a bad connection may result. Do not connect electricity until the fixture is fully assembled. To reduce the risk of fire, electrical shock, or personal injury, always turn off fixture and allow it to cool prior to replacing the bulb. Do not touch or look directly at the bulb when fixture is illuminated. Keep flammable materials away from lit bulb.

THIS PRODUCT IS NOT A TOY AND HAS NO PLAY VALUE.

WARNING: STRANGULATION HAZARD

Keep cord at least 3 feet away from cribs, bassinets, and toddler beds. Keep out of reach of children under 3 years of age.

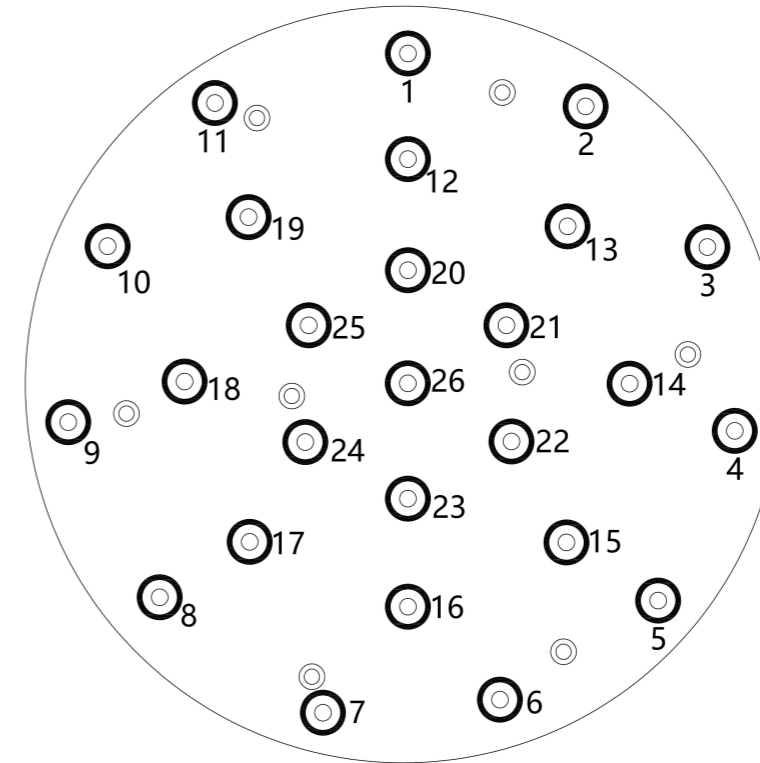
CARE INSTRUCTIONS

Do not use polishes or cleaners on the fixture. Wipe clean with a soft, dry cloth.

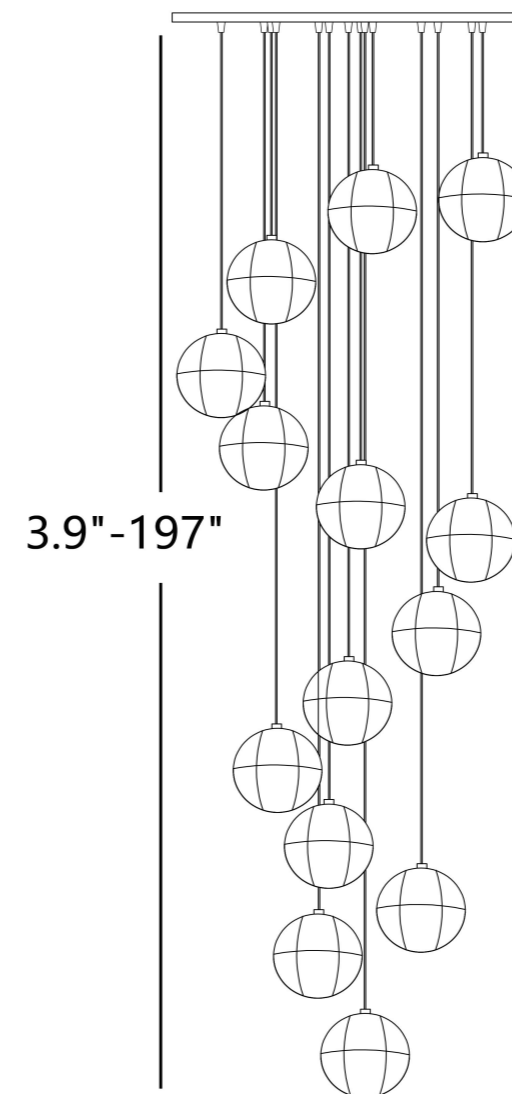
After-sales and Warranty:

1. we provide online after-sales customer service which reply within 12 hours, any questions please contact us through the order page, we will provide you with satisfactory solutions.
2. Provide 30 days free return and exchange, all accessories can be replaced 1:1, any missing or broken accessories can be provided free of charge.
3. 5 years after-sales guarantee for the whole lamp.

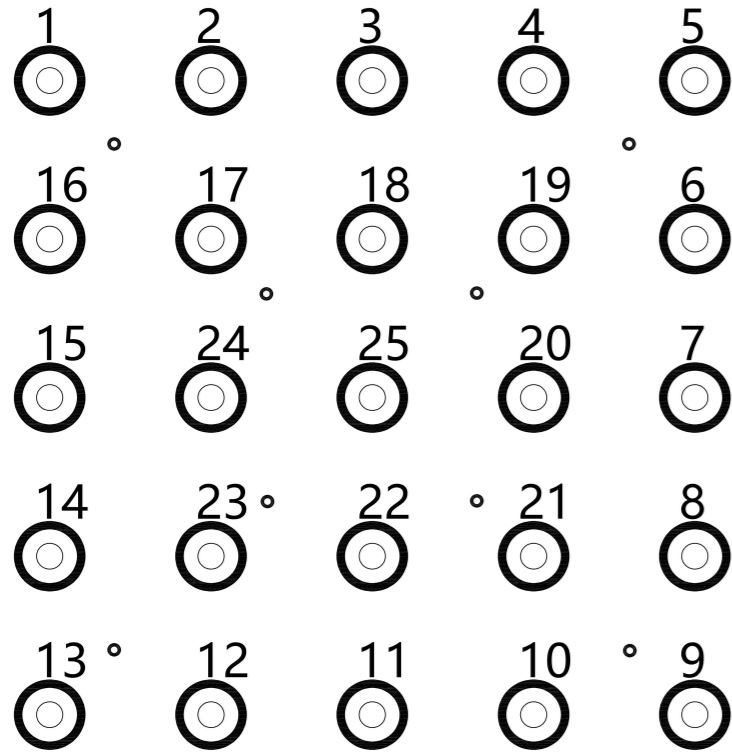
26 Lights



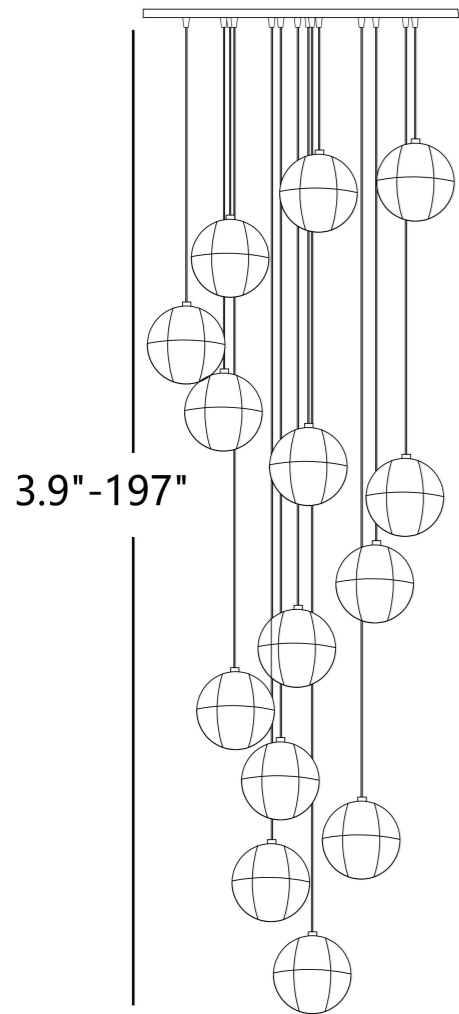
- 1: 100cm=39.5"
- 2: 116cm=45.5"
- 3: 132cm=52"
- 4: 148cm=58.5"
- 5: 164cm=64.5"
- 6: 180cm=71"
- 7: 196cm=77"
- 8: 212cm=83.5"
- 9: 228cm=90"
- 10: 244cm=95"
- 11: 260cm=102.5"
- 12: 276cm=109"
- 13: 292cm=115"
- 14: 308cm=121.5"
- 15: 324cm=127.5"
- 16: 340cm=134"
- 17: 356cm=140.5"
- 18: 372cm=146.5"
- 19: 388cm=153"
- 20: 404cm=159"
- 21: 420cm=165.5"
- 22: 436cm=172"
- 23: 452cm=178"
- 24: 468cm=184.5"
- 25: 484cm=190.5"
- 26: 500cm=197"



25 Lights

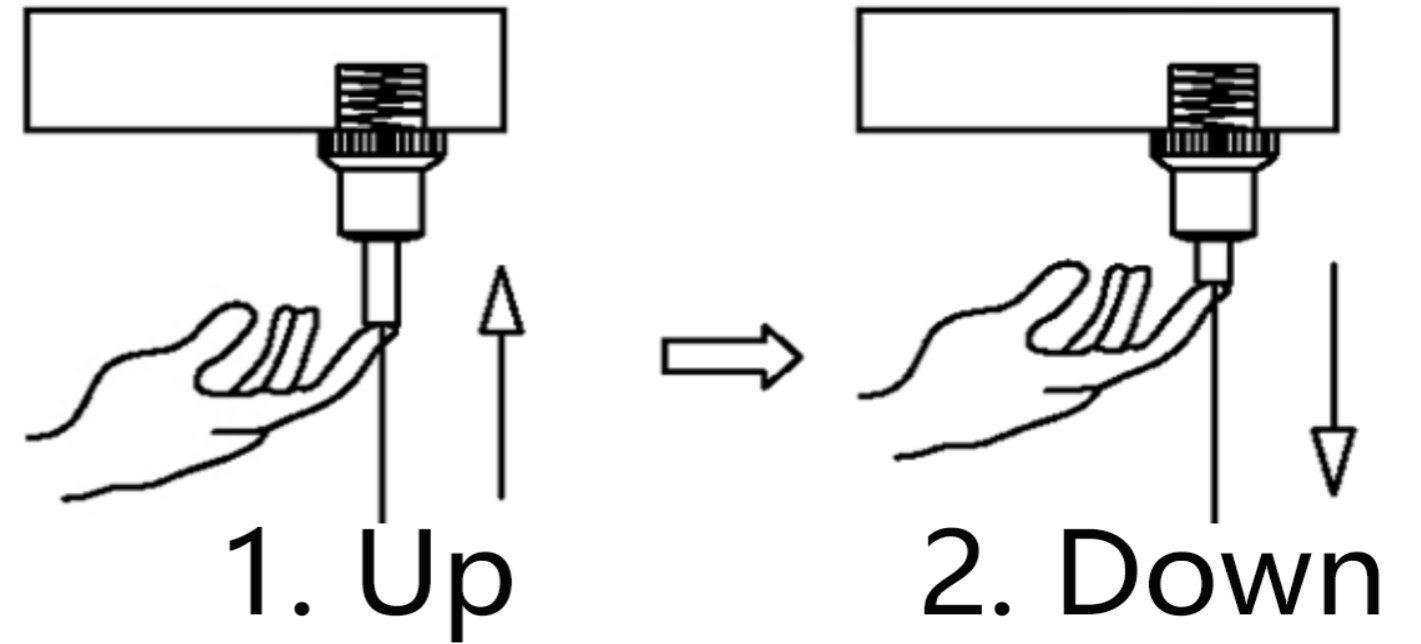


- 1: 116cm=45.5"
- 2: 132cm=52"
- 3: 148cm=58.5"
- 4: 164cm=64.5"
- 5: 180cm=71"
- 6: 196cm=77"
- 7: 212cm=83.5"
- 8: 228cm=90"
- 9: 244cm=95"
- 10: 260cm=102.5"
- 11: 276cm=109"
- 12: 292cm=115"
- 13: 308cm=121.5"
- 14: 324cm=127.5"
- 15: 340cm=134"
- 16: 356cm=140.5"
- 17: 372cm=146.5"
- 18: 388cm=153"
- 19: 404cm=159"
- 20: 420cm=165.5"
- 21: 436cm=172"
- 22: 452cm=178"
- 23: 468cm=184.5"
- 24: 484cm=190.5"
- 25: 500cm=197"



3.9"-197"

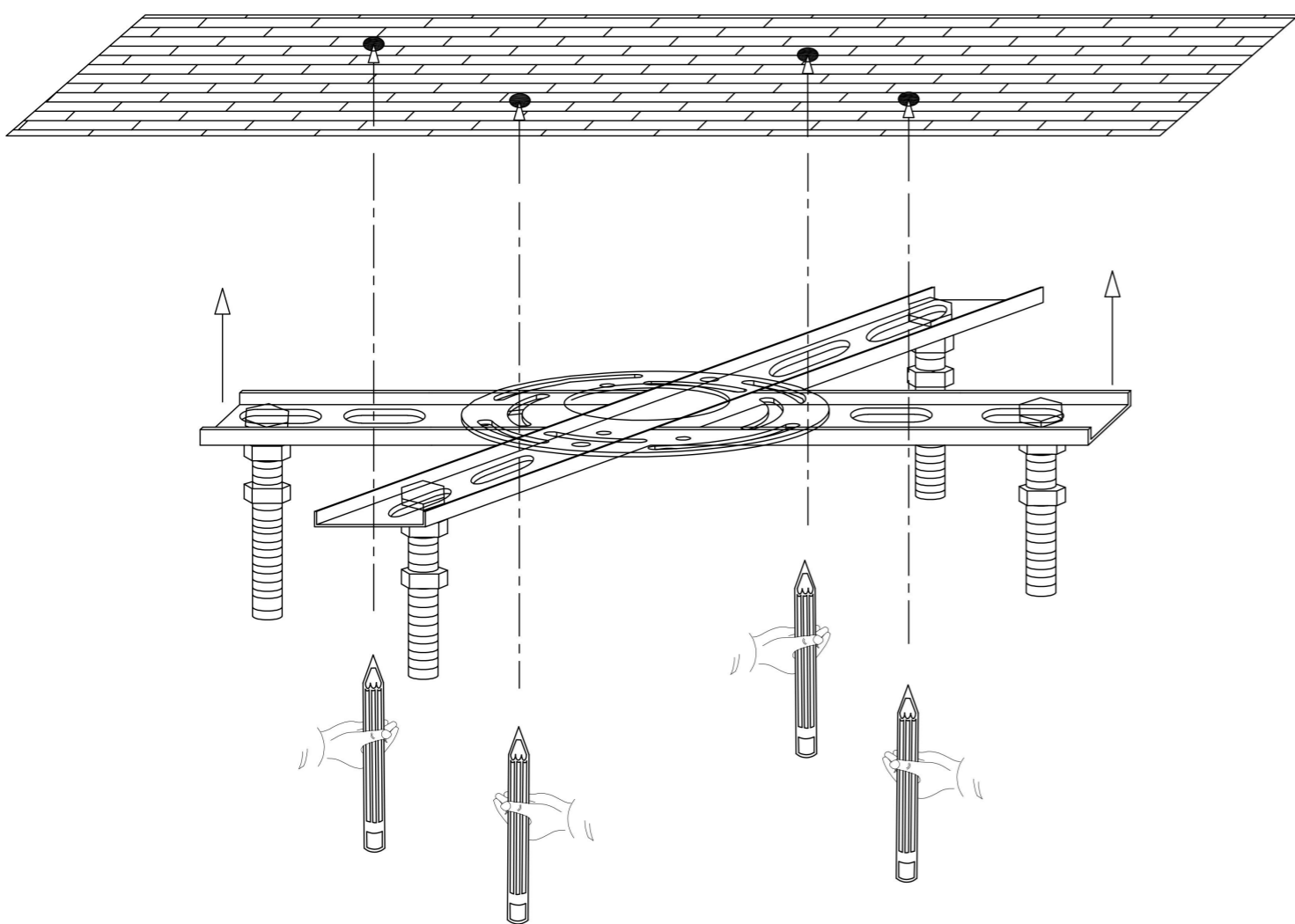
ASSEMBLY & INSTALLATION



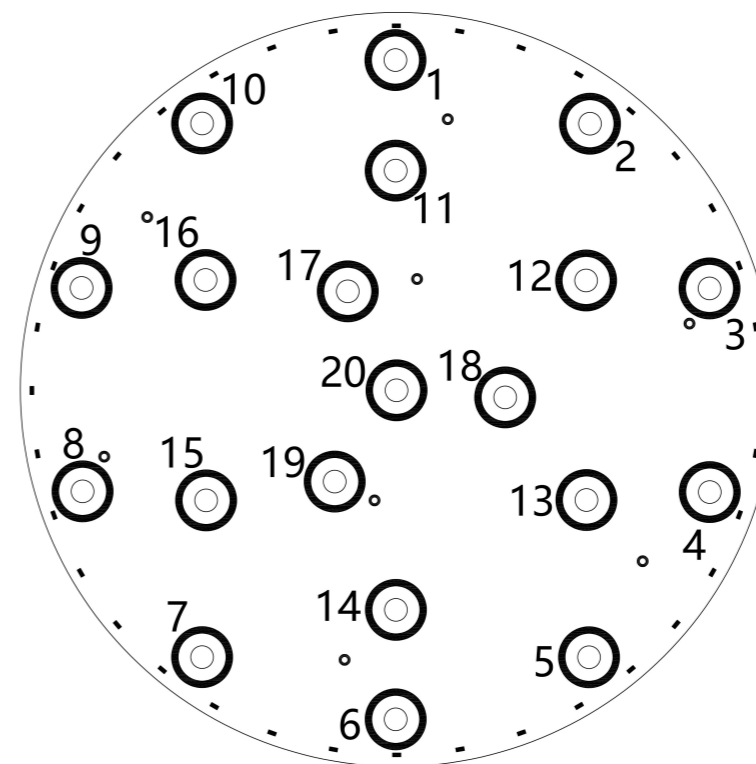
1. Shorten the hanging wire without pressing the pin, and push the hanging wire upward directly.
2. Lengthen the hanging wire, need press the pin, then pull out the hanging wire downward

STEP 1:

1. Mark the location of the holes to be punched in the ceiling of the installation.

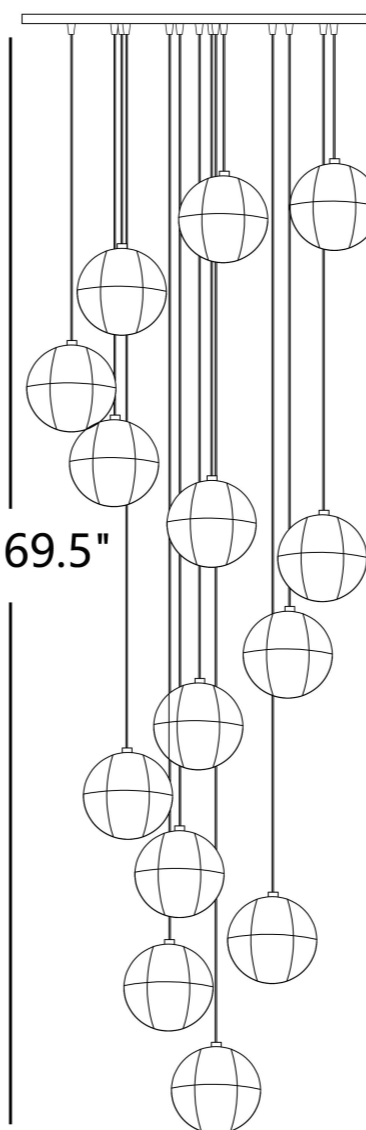


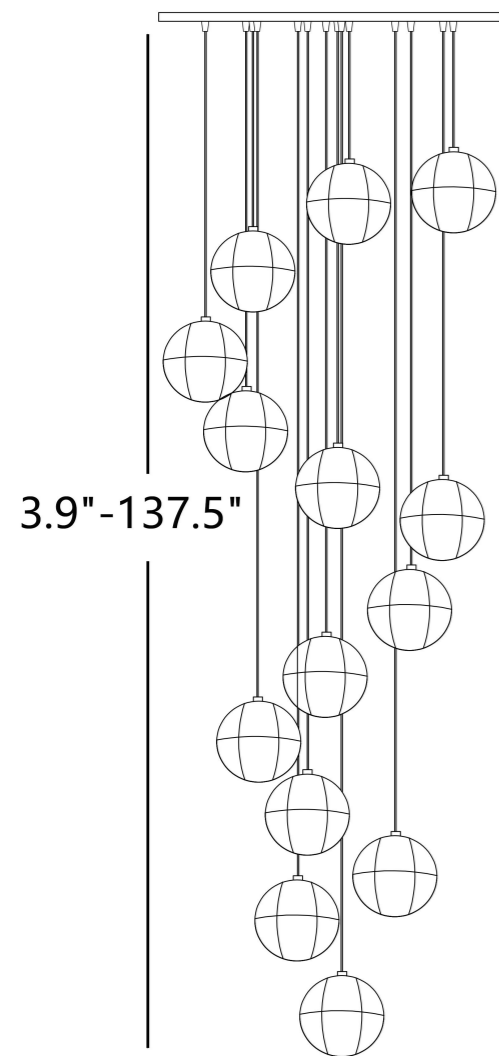
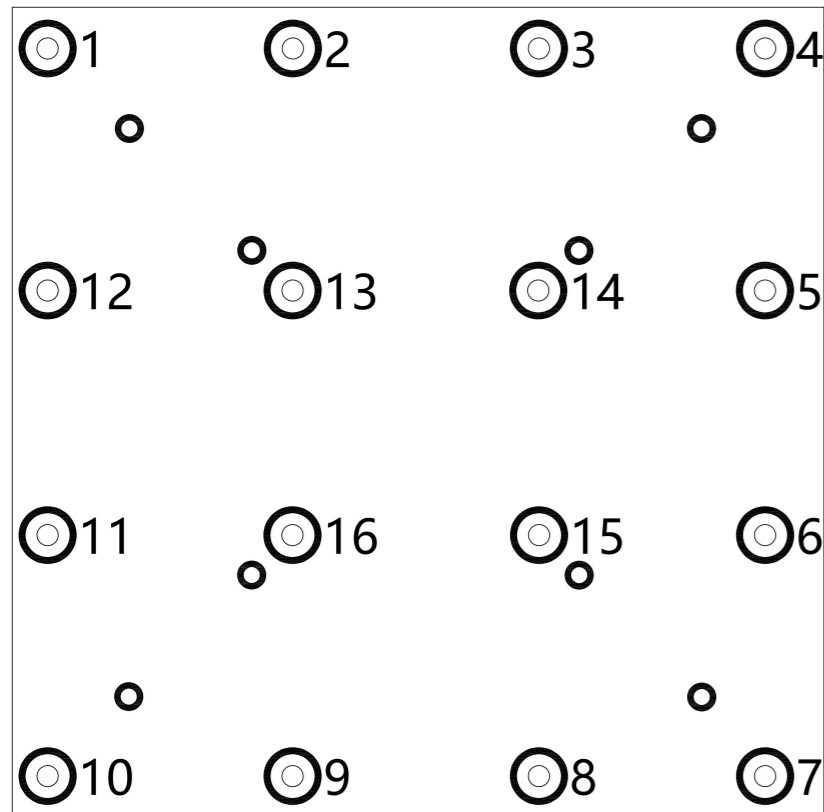
20 Lights



- 1: 50cm=19.5"
- 2: 70cm=27.5"
- 3: 90cm=35.5"
- 4: 110cm=43.5"
- 5: 130cm=51"
- 6: 150cm=59"
- 7: 170cm=67"
- 8: 190cm=75"
- 9: 210cm=83"
- 10: 230cm=91"
- 11: 250cm=98.5"
- 12: 270cm=106.5"
- 13: 290cm=114.5"
- 14: 310cm=120"
- 15: 330cm=130"
- 16: 350cm=140"
- 17: 370cm=146"
- 18: 390cm=153.5"
- 19: 410cm=161.4"
- 20: 430cm=169.5"

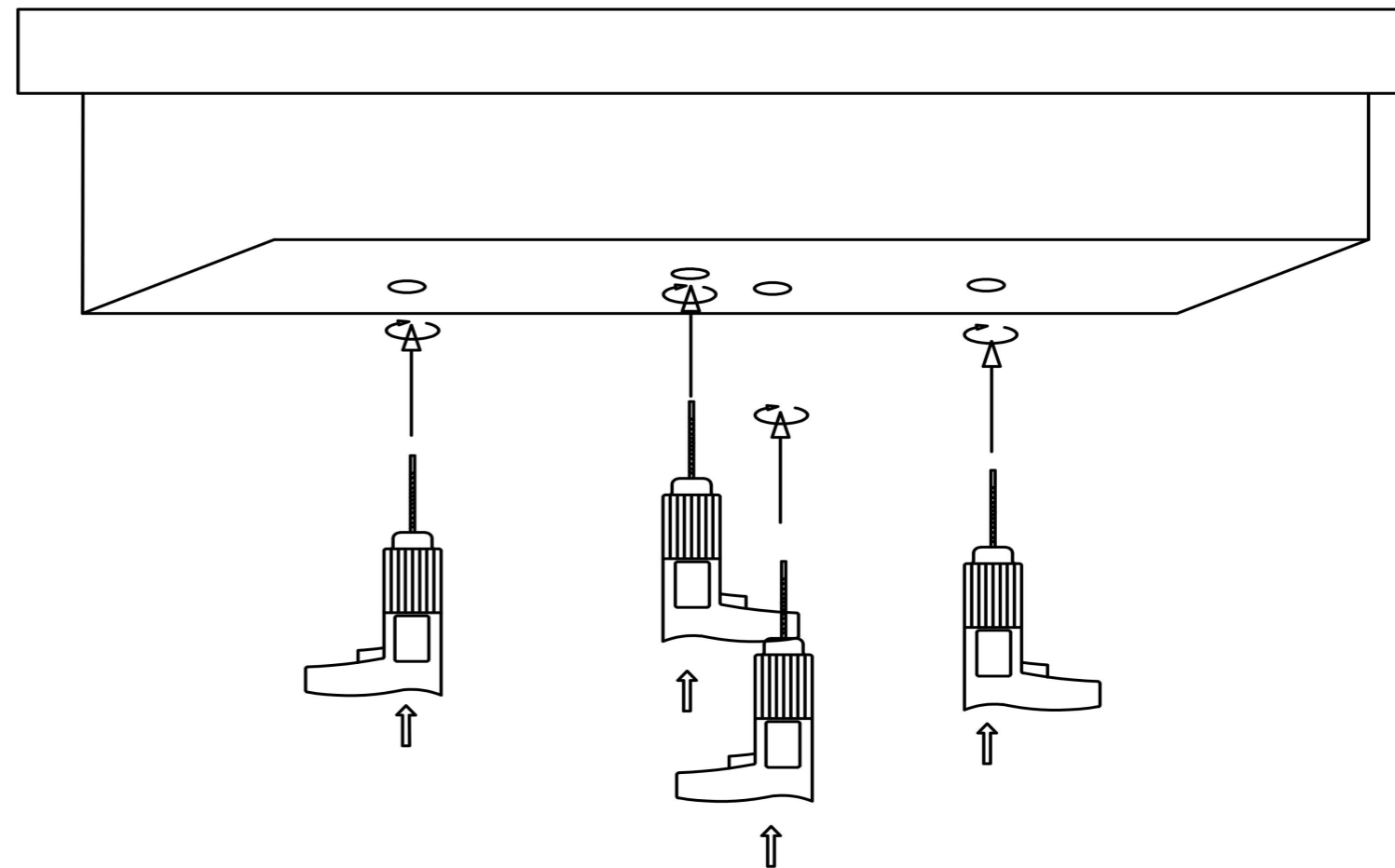
3.9"-169.5"





- 1: 50cm=20"
- 2: 70cm=27.5"
- 3: 90cm=35.5"
- 4: 110cm=43.5"
- 5: 130cm=51"
- 6: 150cm=59"
- 7: 170cm=67"
- 8: 190cm=75"
- 9: 210cm=83"
- 10: 230cm=91"
- 11: 250cm=98.5"
- 12: 270cm=106.5"
- 13: 290cm=114.5"
- 14: 310cm=120"
- 15: 330cm=130"
- 16: 350cm=140"

2. Punch holes according to the drawn points

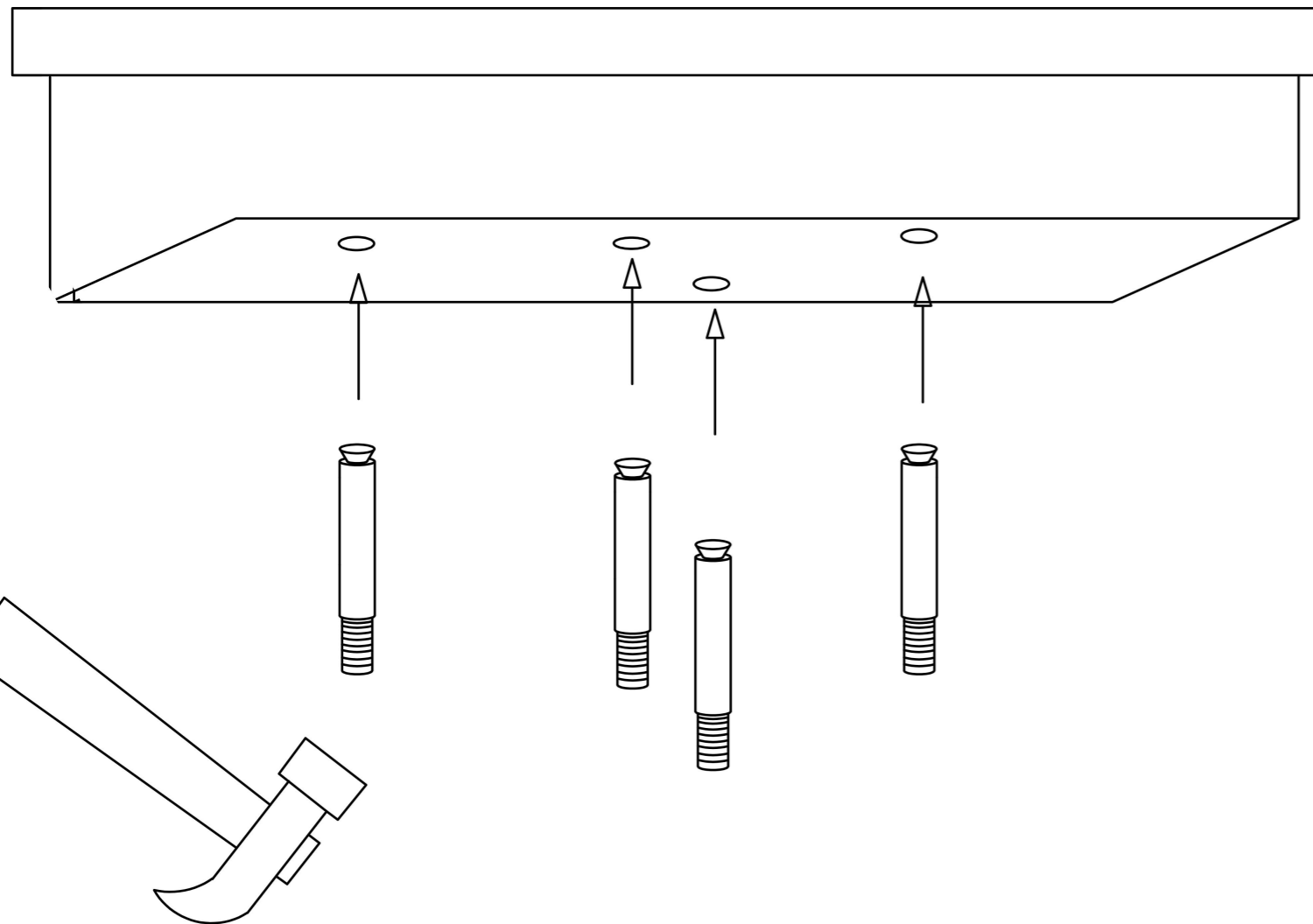


STEP 3:

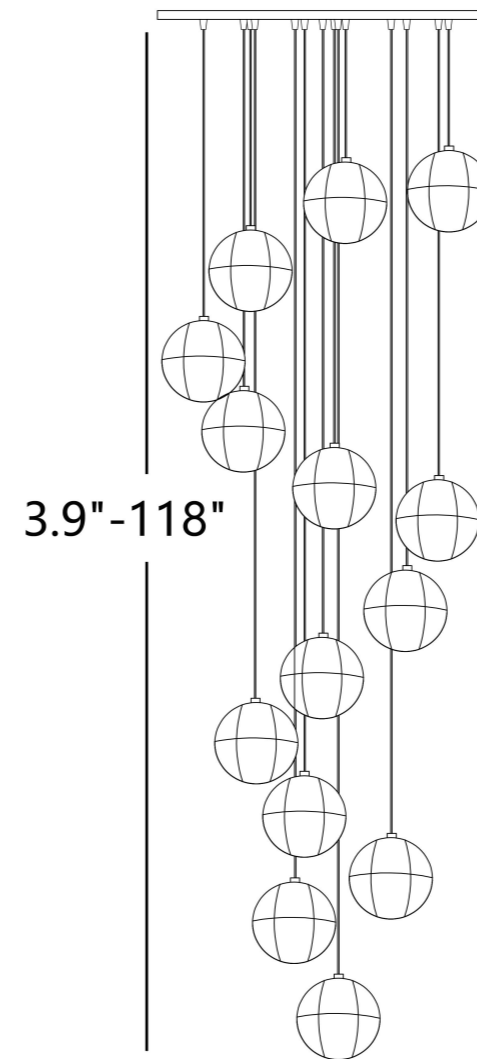
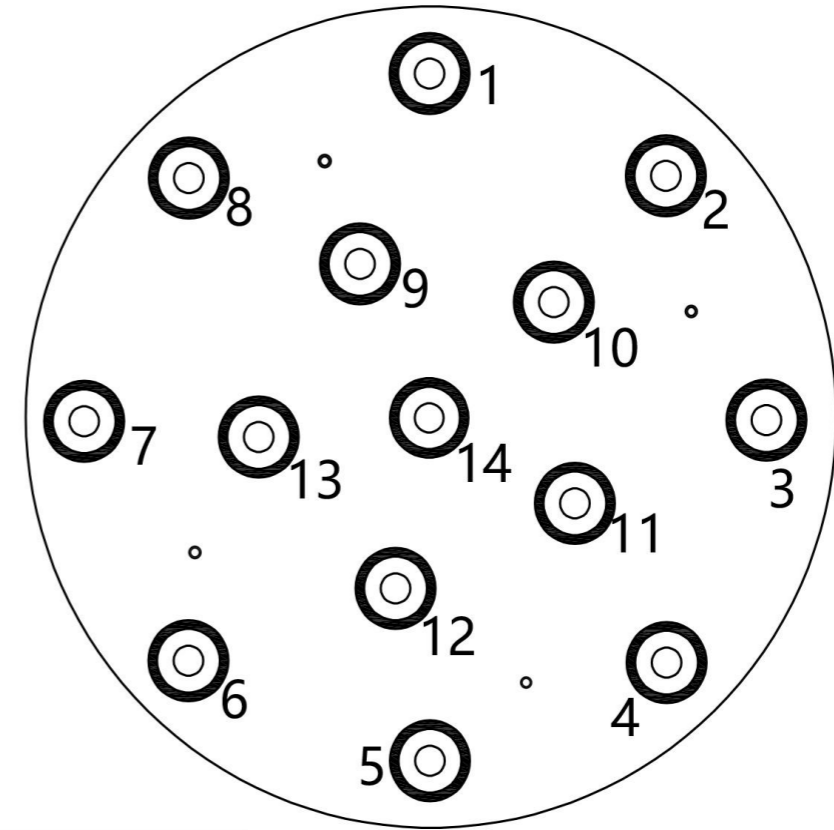


Suitable for Concrete Ceilings

3. Concrete Ceilings:
Put the Heavy-Duty Anchors in the ceiling



14 Lights

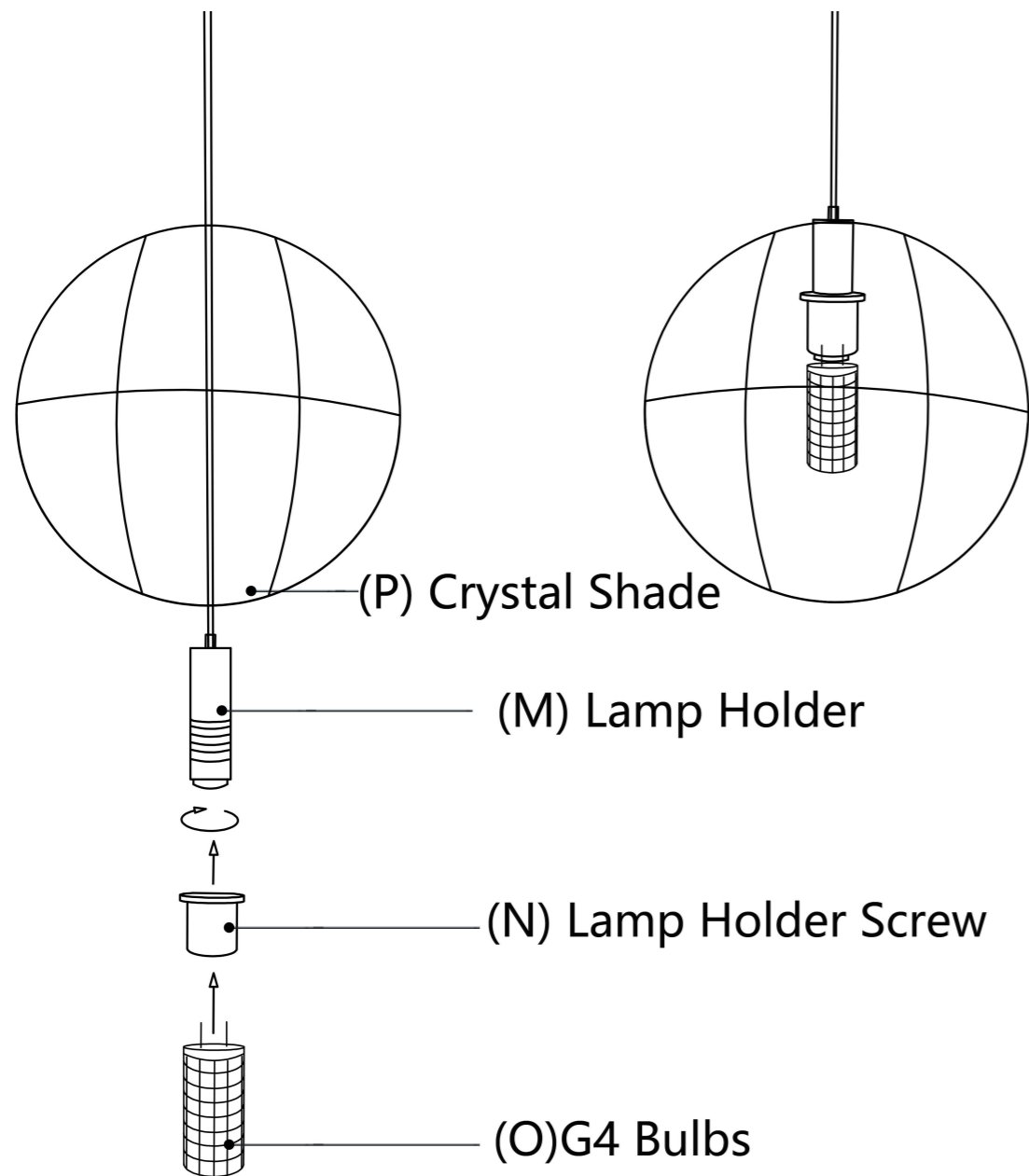


- 1: 50cm=20"
- 2: 70cm=27.5"
- 3: 90cm=35.5"
- 4: 110cm=43.5"
- 5: 130cm=51"
- 6: 150cm=59"
- 7: 170cm=67"
- 8: 190cm=75"
- 9: 210cm=83"
- 10: 230cm=91"
- 11: 250cm=98.5"
- 12: 270cm=106.5"
- 13: 290cm=114.5"
- 14: 310cm=120"

Assemble the crystal ball



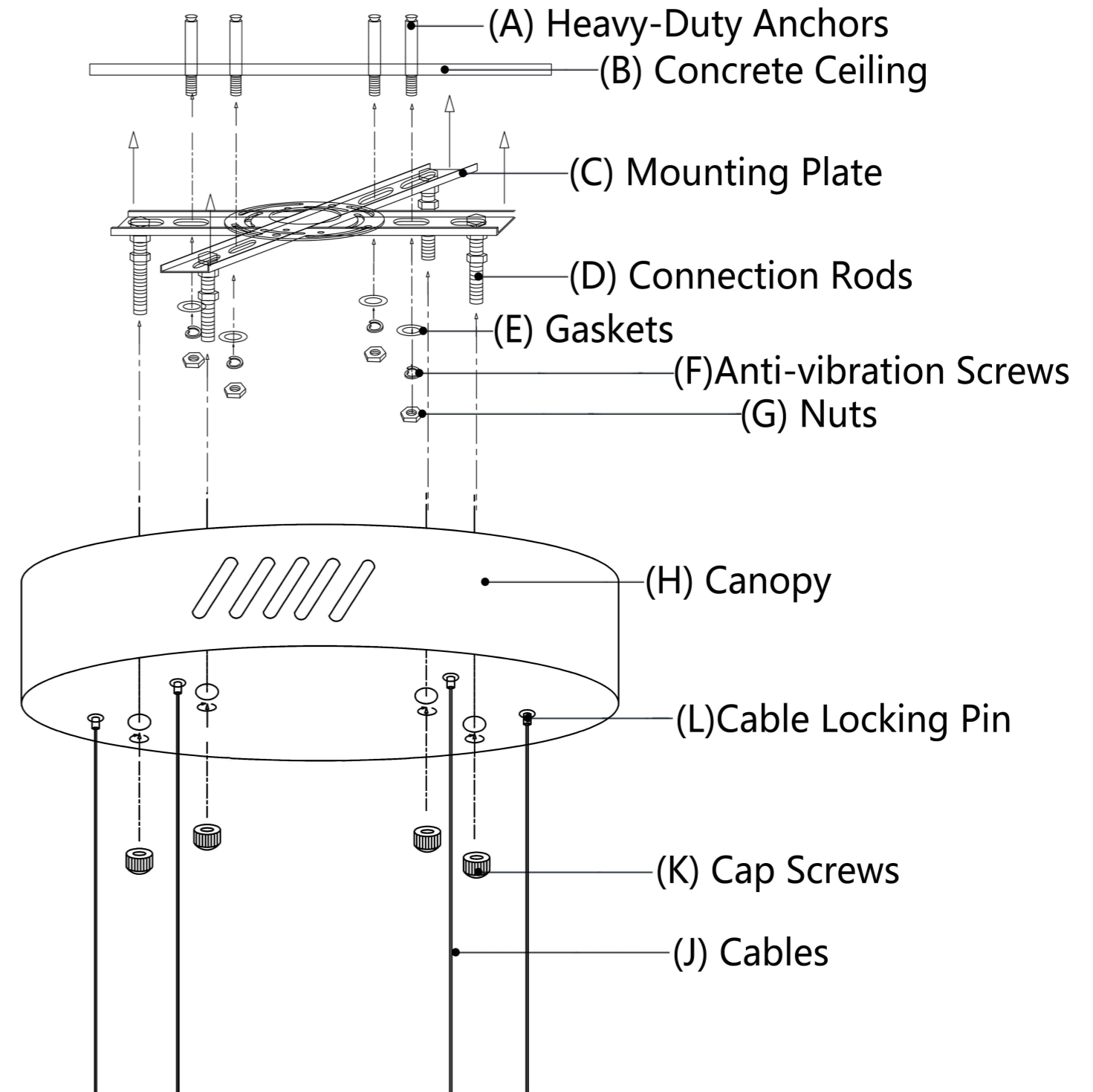
The crystal ball is heavy, so it is recommended to adjust the length of the wire before assembling the crystal ball.



STEP 4:



Suitable for Concrete Ceilings

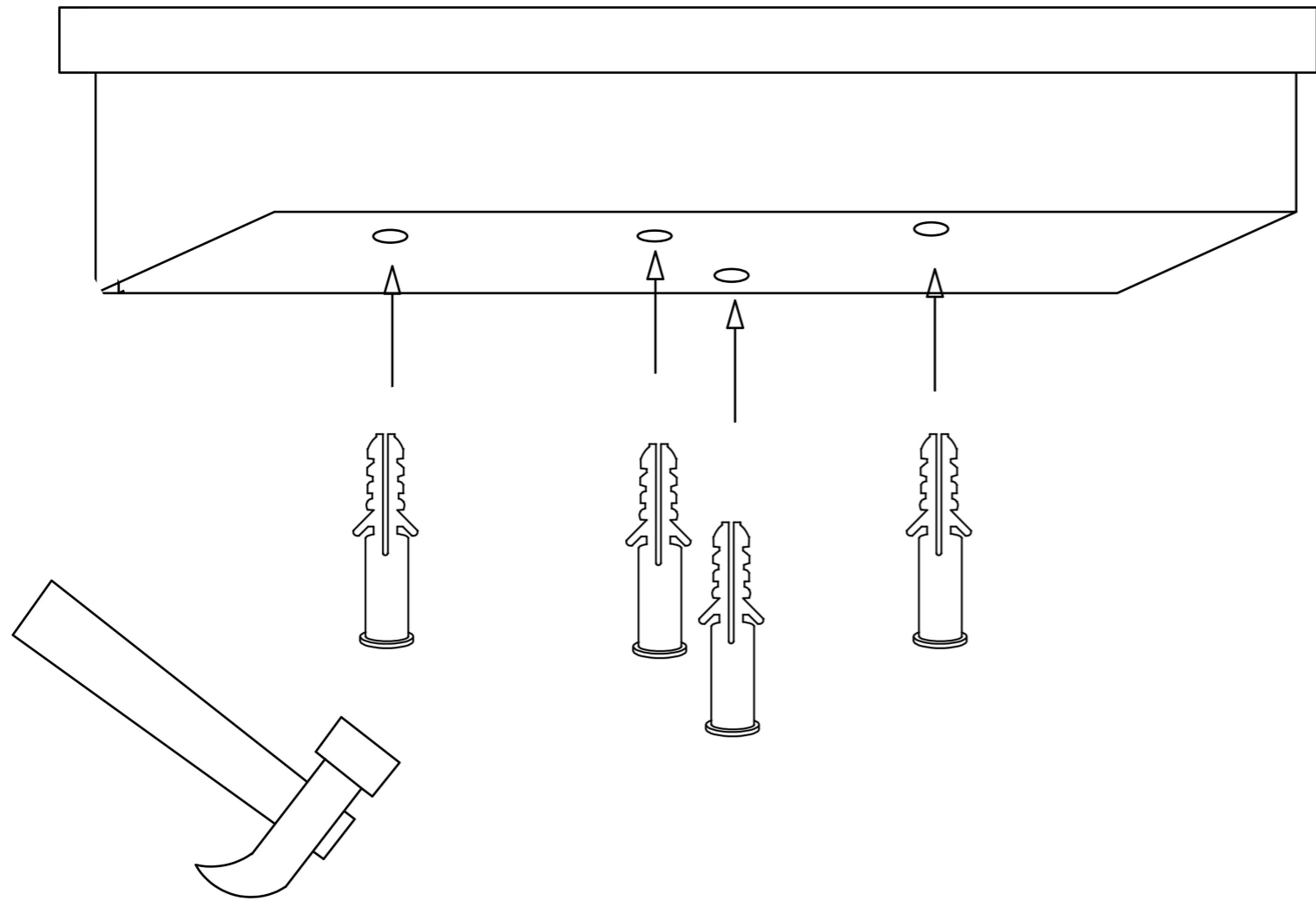


STEP 3:



Suitable for Wood Ceilings

3. Wood Ceilings:
Put the Expansion Tube in the ceiling



STEP 4:



Suitable for Wood Ceilings

