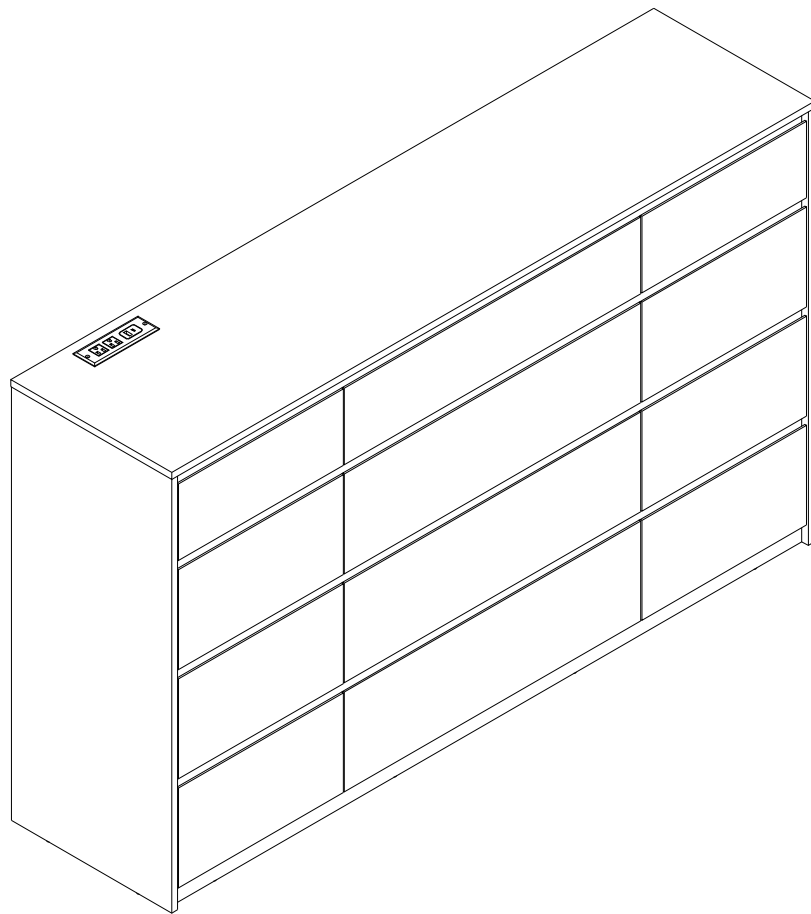


Assembly Instruction



"SAFETY TIPS:

Static charge may cause dust on foam - clean with a dry or damp cloth.
Small foam strands may be present - handle gently and dispose of properly.
Do not burn or incinerate. Check local recycling guidelines."

Important reminder:

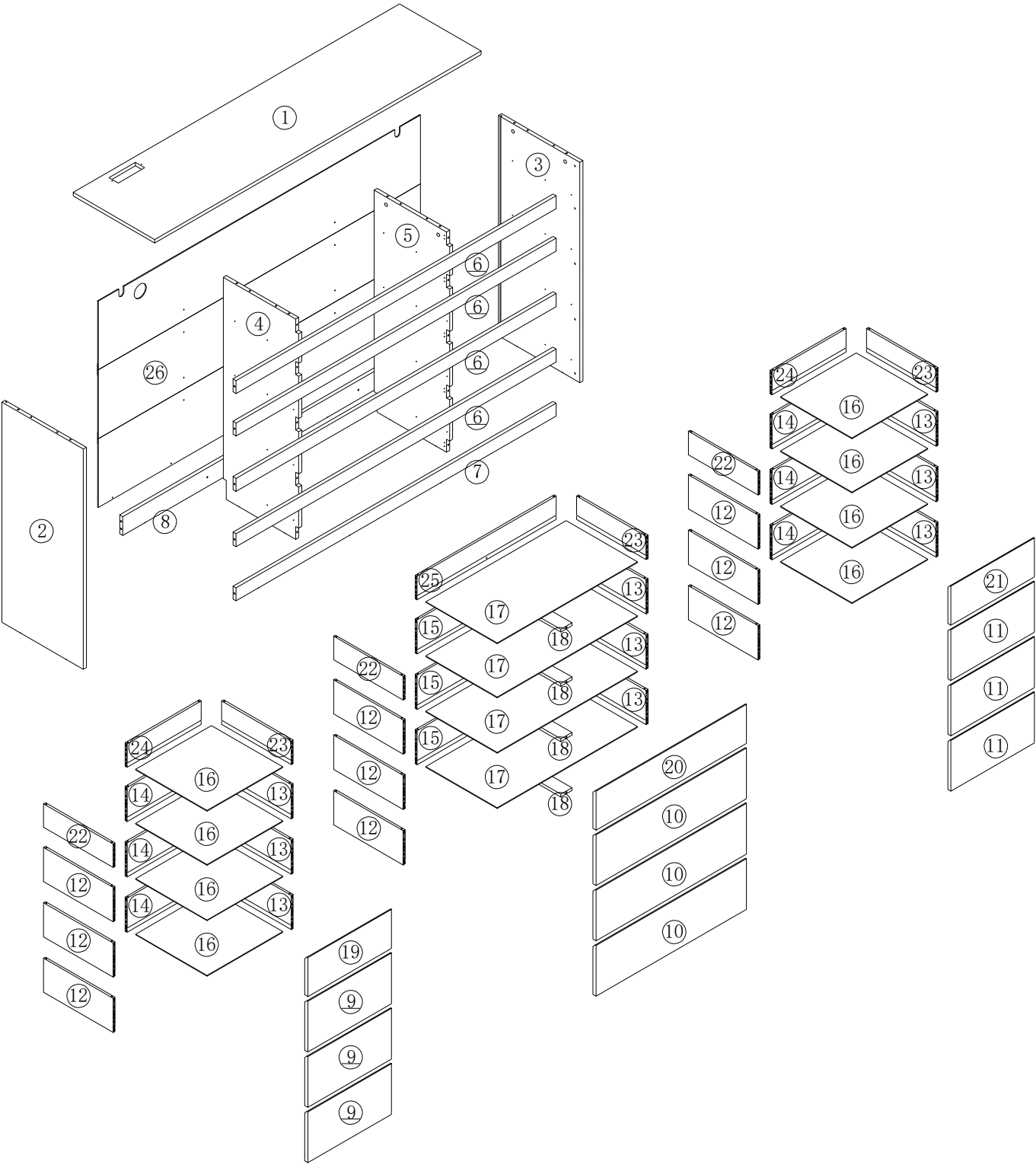
- △ Please sort and check all accessories before assembly.
- △ Please place the product on empty cardboard box or carpet to avoid scratches on it,
- △ Please use proper tools for assembly. Using an electric screwdriver can accelerate the assembly speed, but please do not overtighten the screws.
- △ Please follow the assembly steps and do not skip any of them.
- △ If possible, please find a partner to help you with assembly, which can accelerate assembly.
- △ Keep all small parts of this product away from children. They may cause serious injury.
- △ We hope you can retighten the screws 2 weeks after assembly, and check the tightening procedure of the screws every 3 months.

If you meet any difficulty, our friendly customer team are always ready to help you.

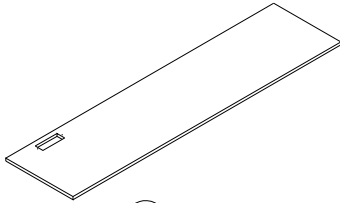


Warning:Overturning the product can cause serious crushing injuries. We have a wall connection device attached, please use it to hold the furniture following assembly instructions. Do not change the structure of this product in way. Our products have been tested and meet any all sales specific security measures. We won't be responsible for any modifications, which may cause significant security risks.

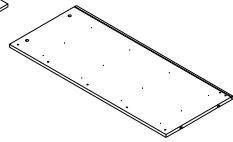
Board Identification



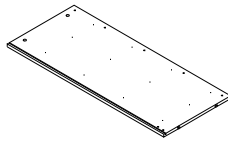
PARTS LIST



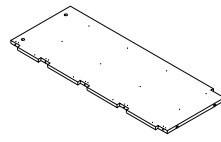
① × 1



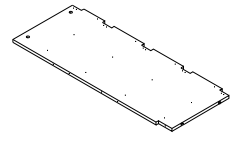
② × 1



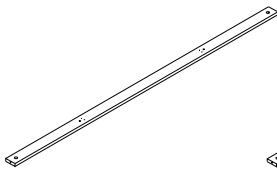
③ × 1



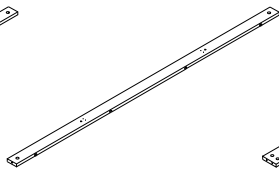
④ × 1



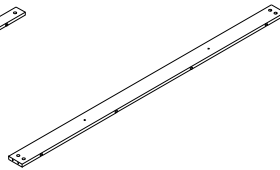
⑤ × 1



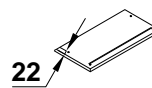
⑥ × 4



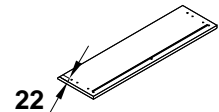
⑦ × 1



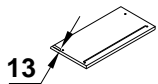
⑧ × 1



⑨ × 3



⑩ × 3



⑪ × 3



⑫ × 9



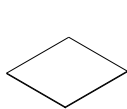
⑬ × 9



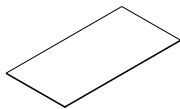
⑭ × 6



⑮ × 3



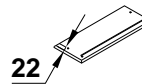
⑯ × 8



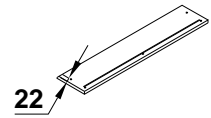
⑰ × 4



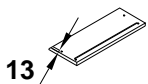
⑱ × 4



⑲ × 1



⑳ × 1



㉑ × 1



㉒ × 3



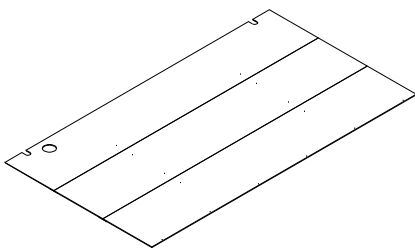
㉓ × 3



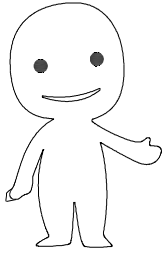
㉔ × 2



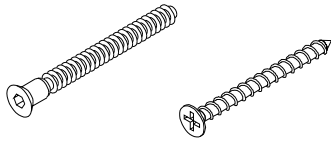
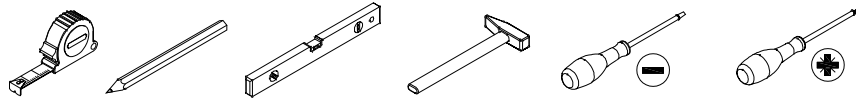
㉕ × 1



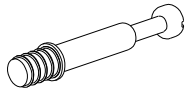
㉖ × 1



Please prepare the following tools



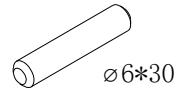
When installing, please carefully confirm whether each screw corresponds to the manual, accessories with similar shapes can be distinguished by size



A × 26+2



B × 26+2

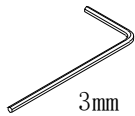


C × 18+2



M5*50mm

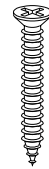
D × 2



E × 1

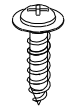


F × 2



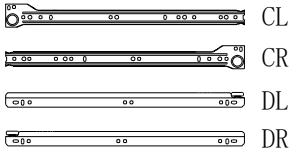
M4*35

G × 4



M3*12

H × 14+2

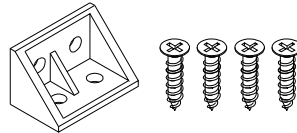


I × 12



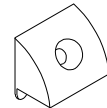
M3.5*12

J × 120+2



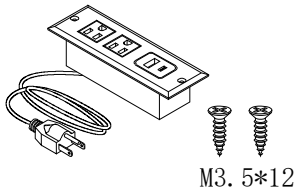
M4*12

K × 10+2



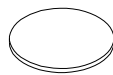
M3*16

L × 8+1

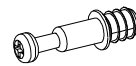


M3.5*12

M × 1



N × 26+2

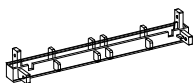


M6*24

O × 48+2

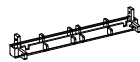


P × 48+2



145mmL

Q × 18



100mmL




R × 6

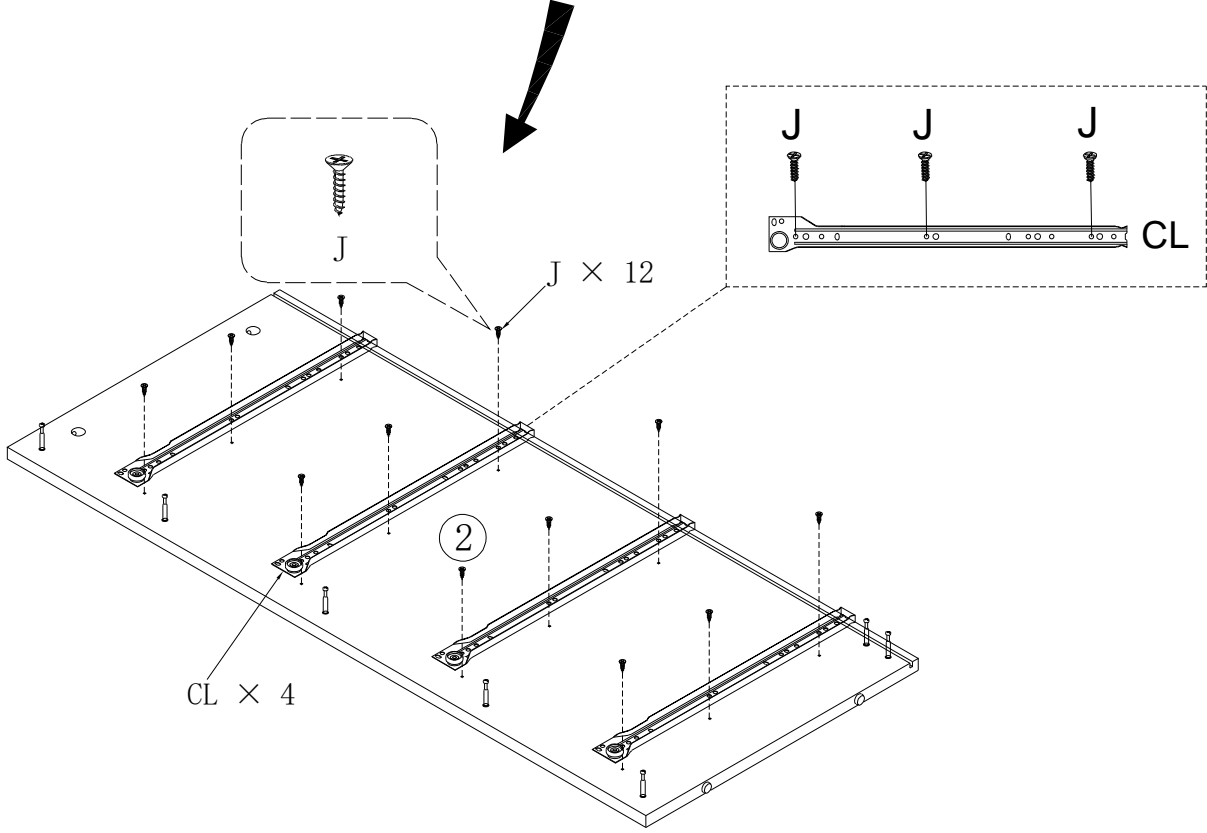
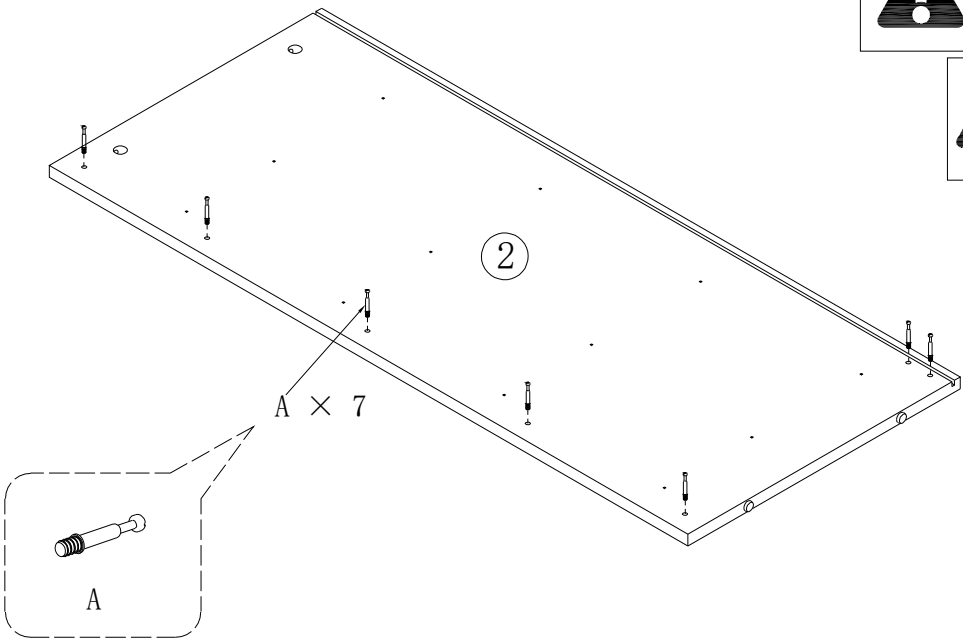
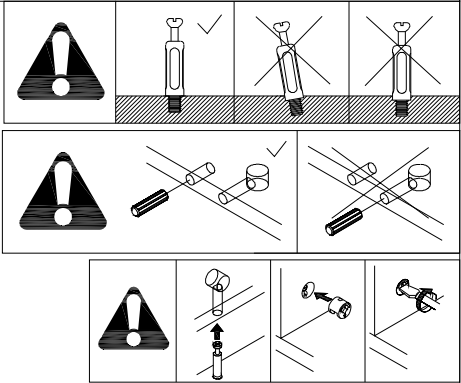
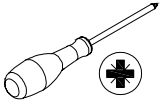


M3*12




S × 96+2

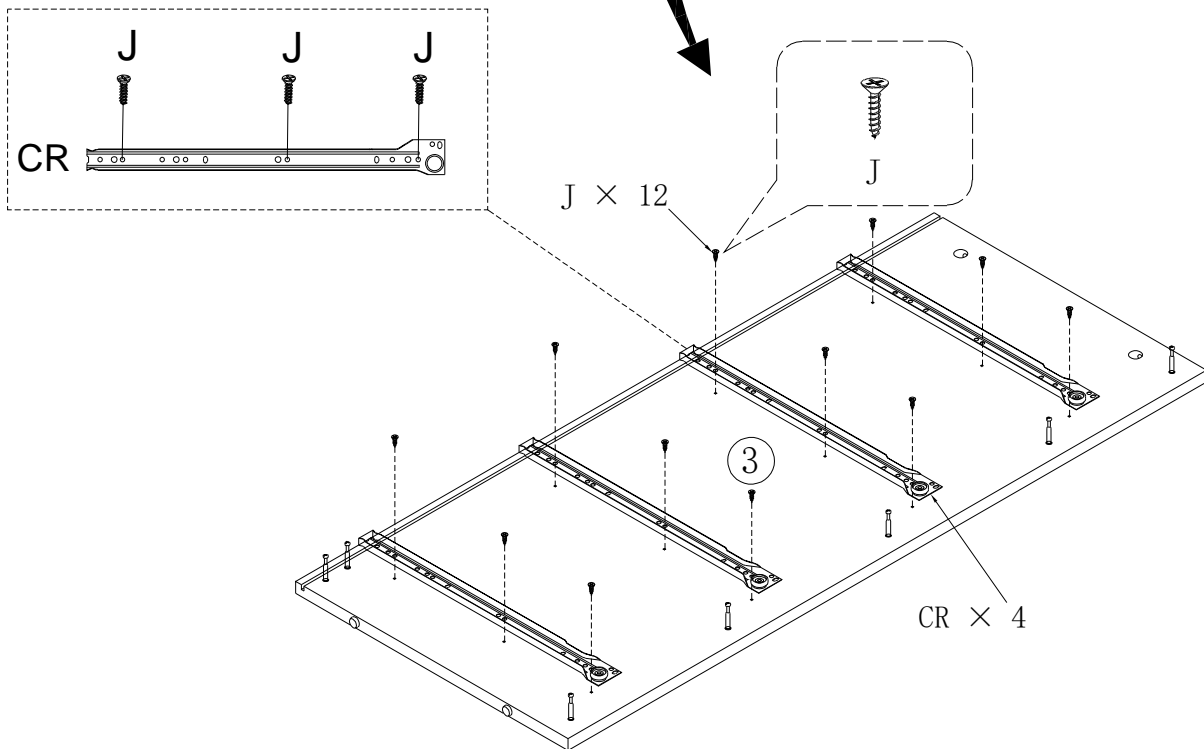
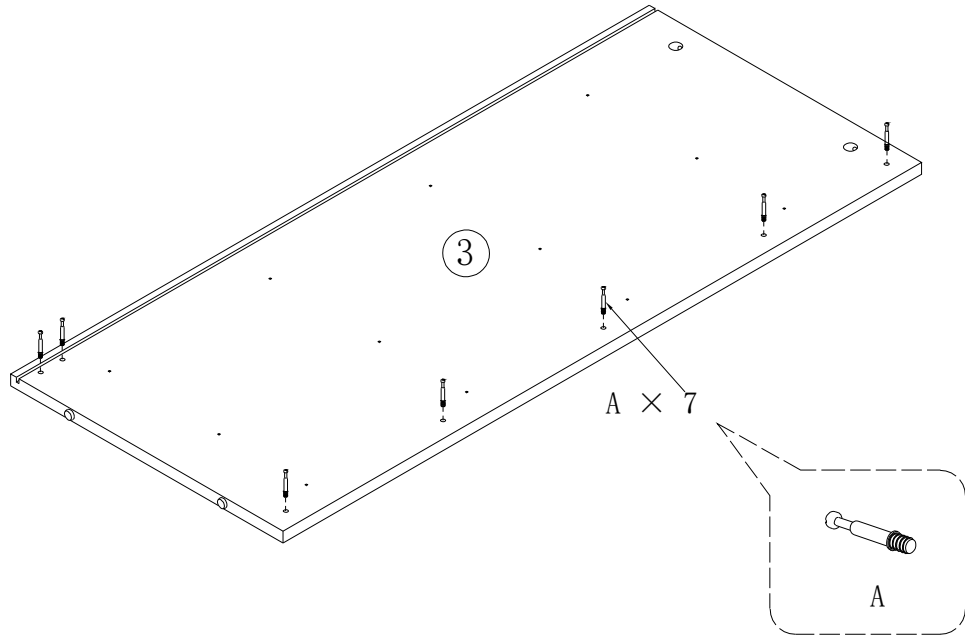
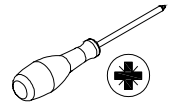
1

 A × 7	 I × 4	 J × 12
--	--	---





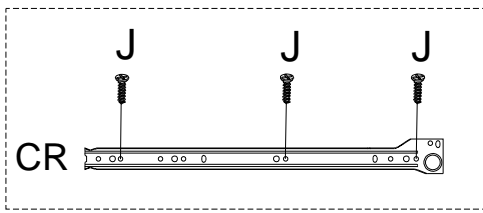
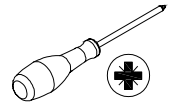
2

 A × 7	 I × 4	 J × 12
--	--	---

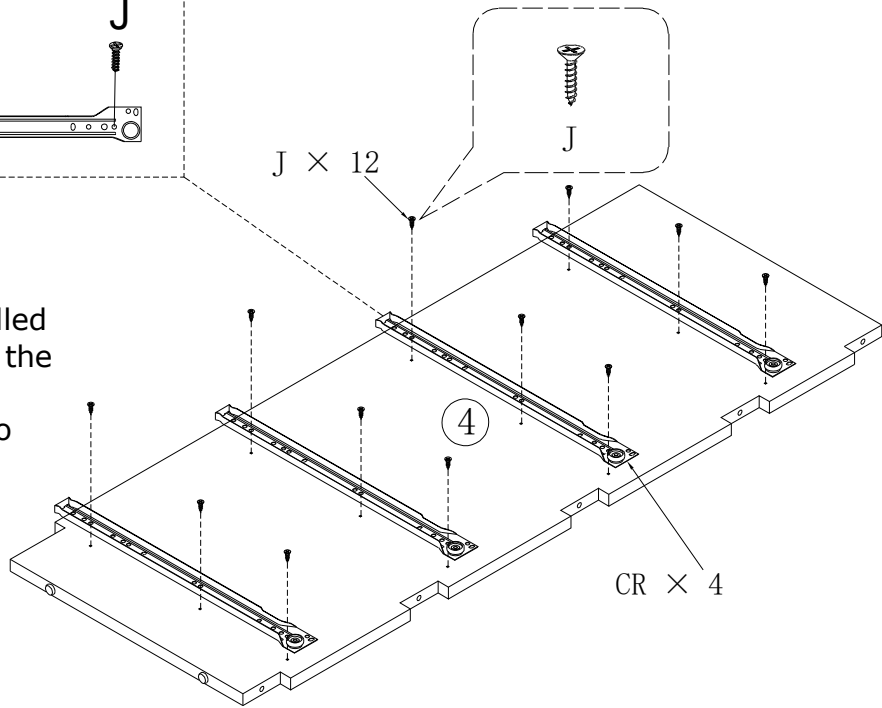




3

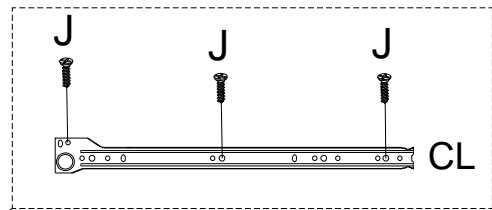
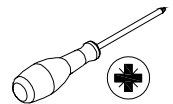
 CR	
I × 4	J × 12



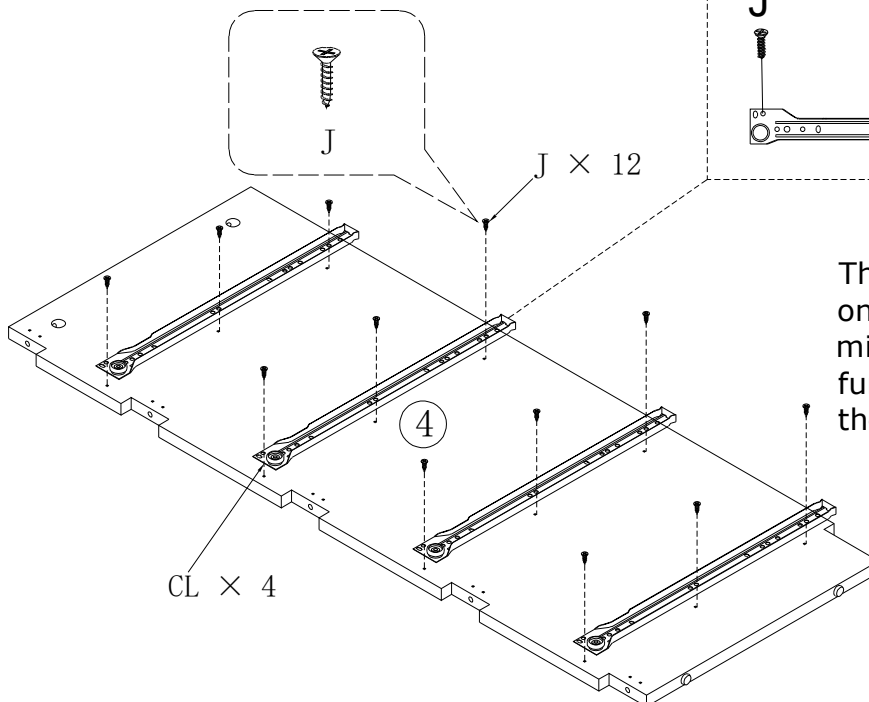
The panel is installed on the left side of the middle of the furniture, facing to the left




 CL	
I × 4	J × 12

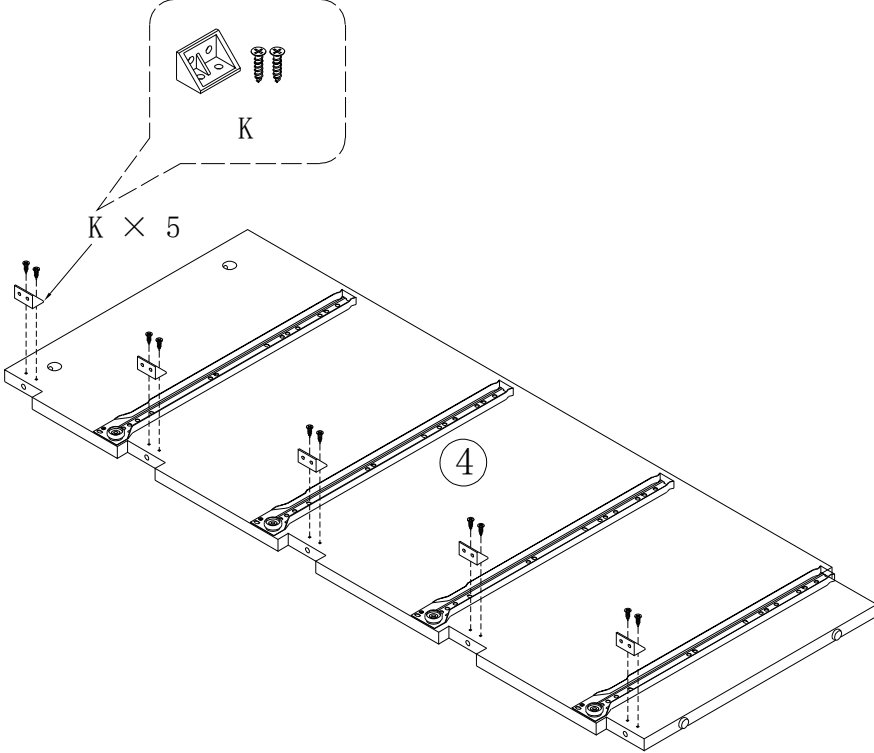
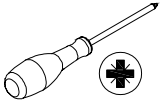



The panel is installed on the left side in the middle of the furniture, facing to the right




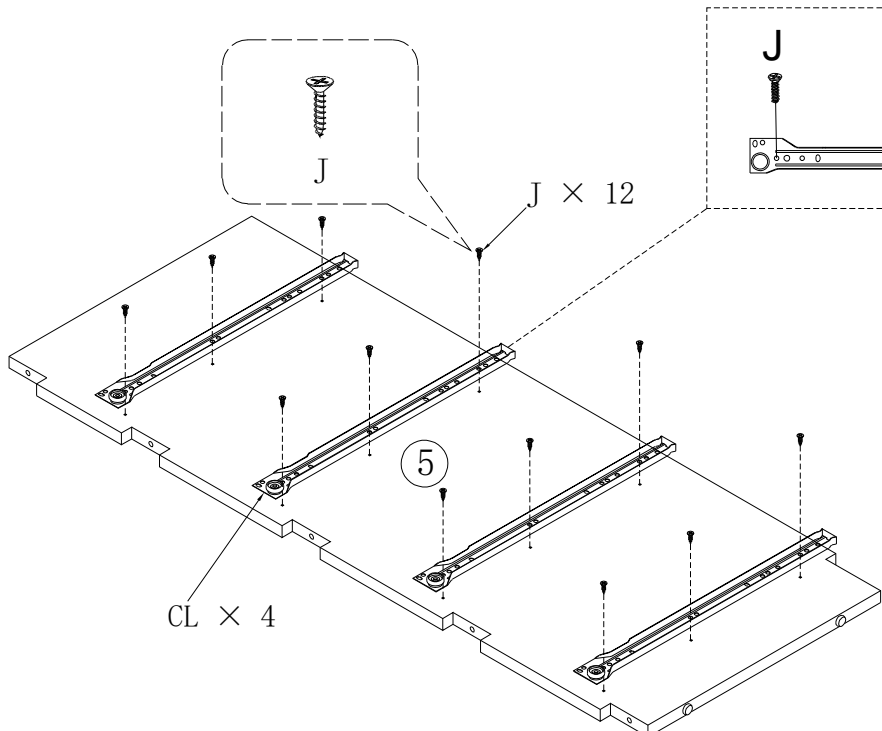
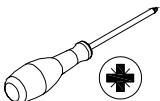
4


K × 5



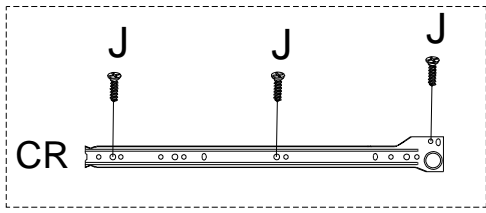
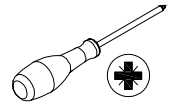
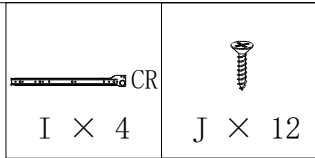
 CL
I × 4

 J
J × 12

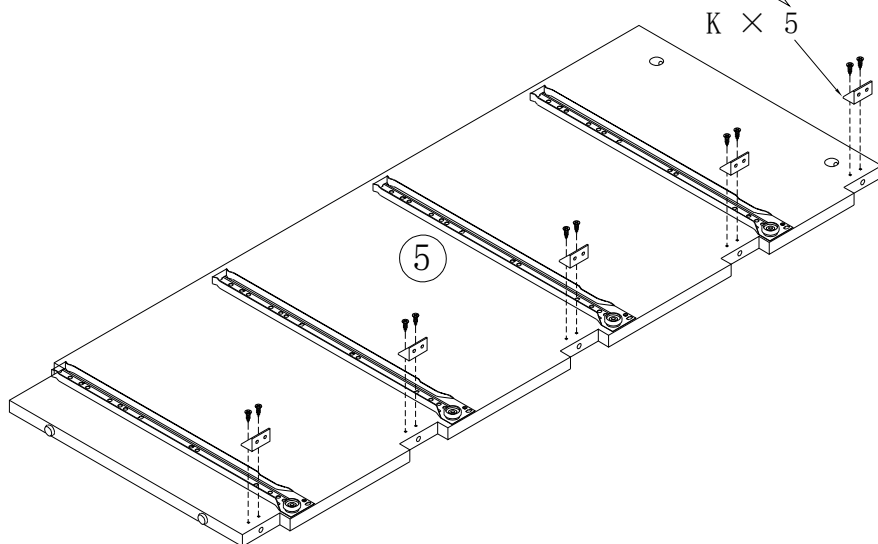
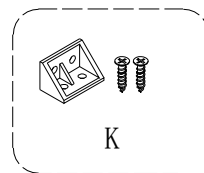
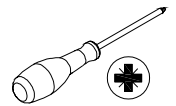
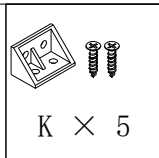
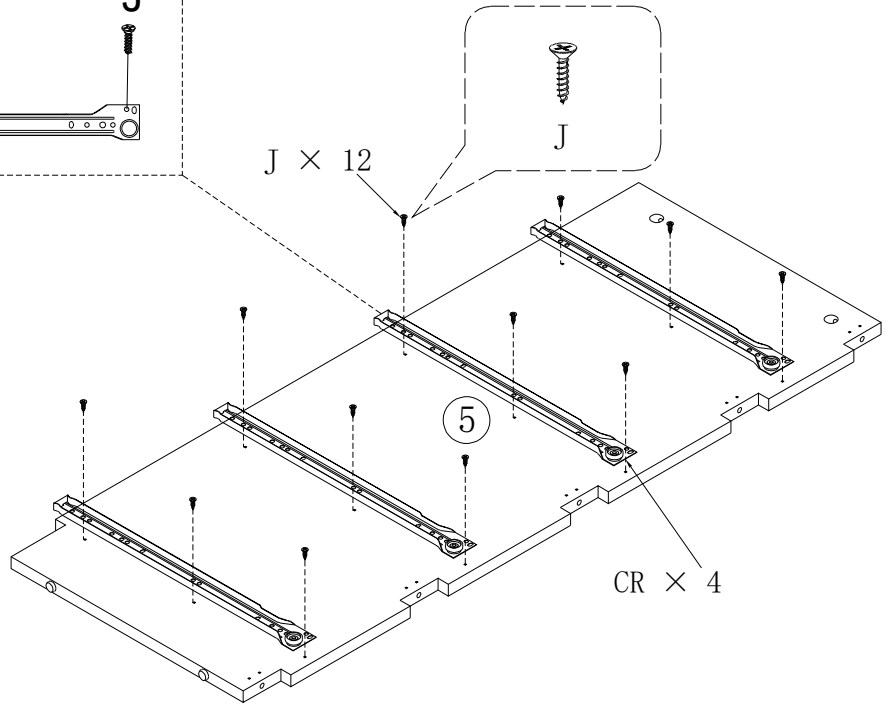


The panel is installed on the right side in the middle of the furniture, facing to the right


5

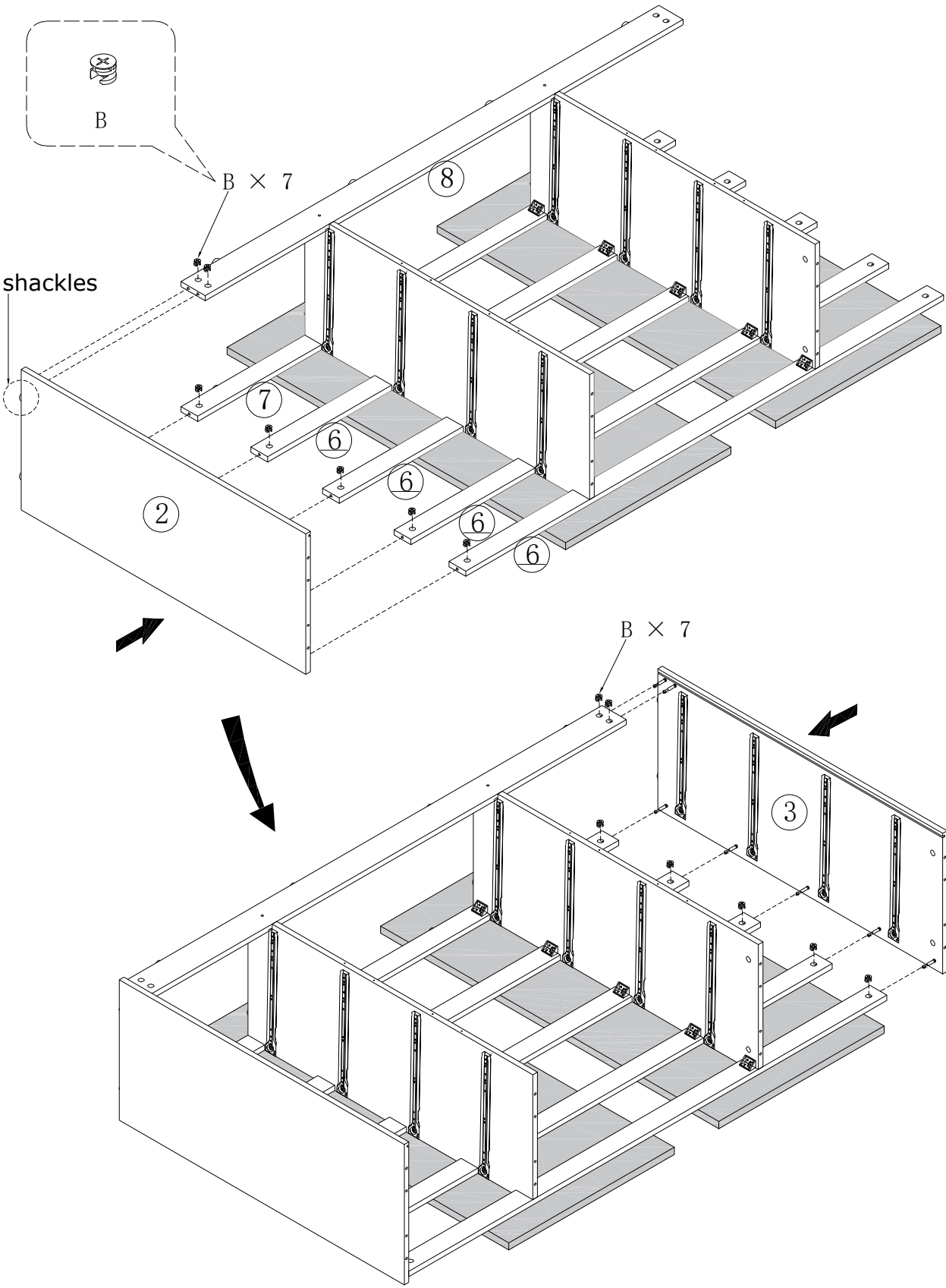
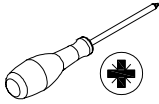


The panel is installed on the right side in the middle of the furniture, facing to the left



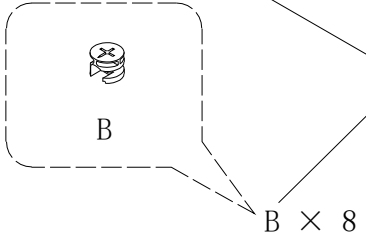
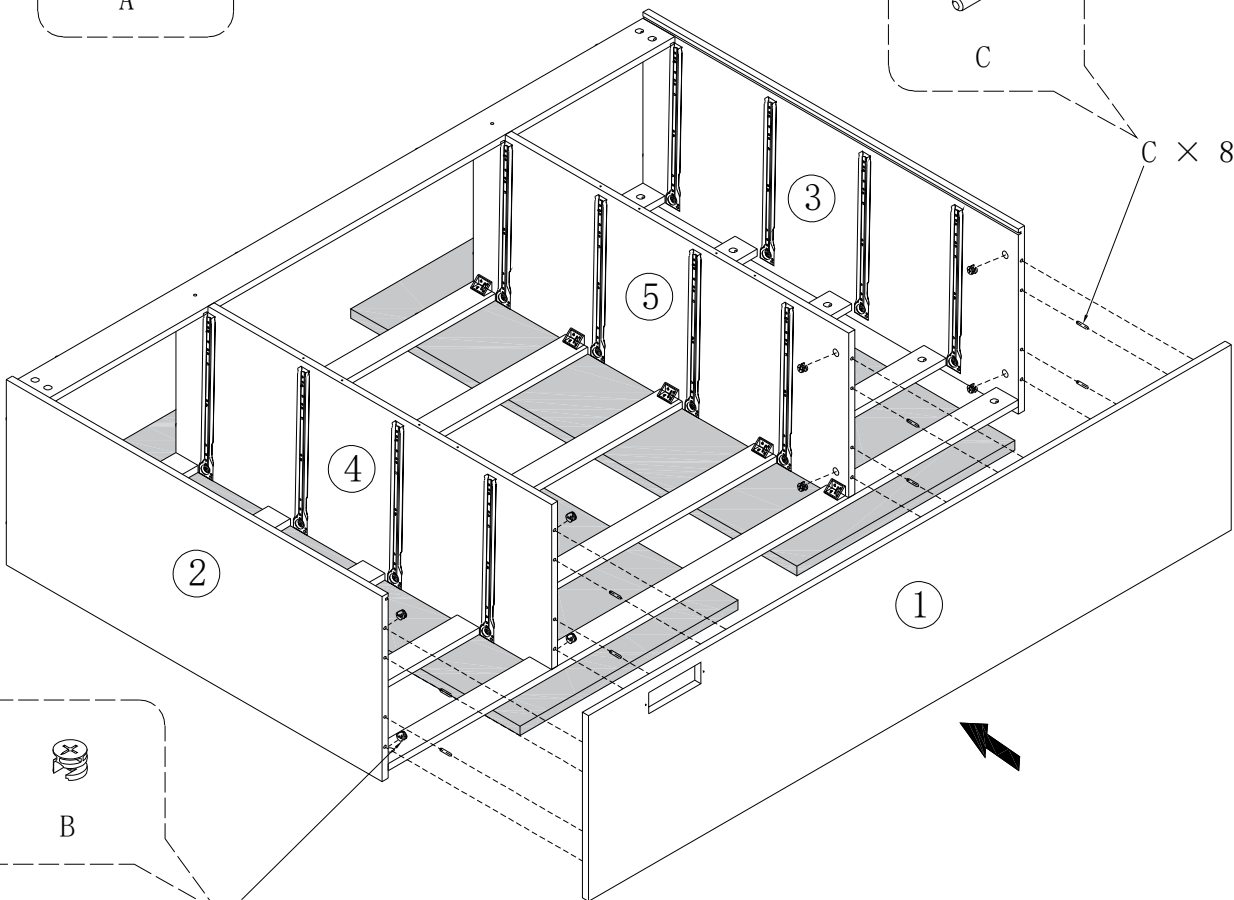
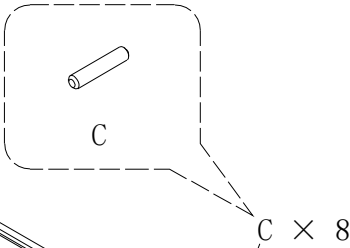
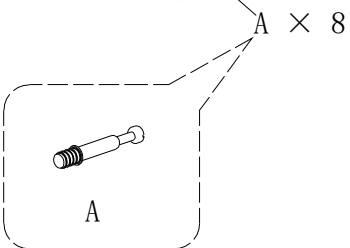
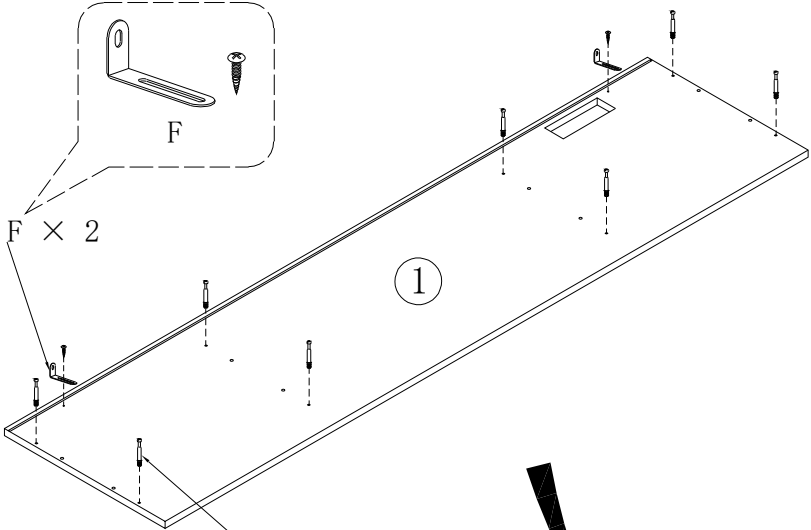
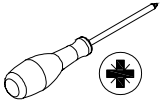
7


B × 14

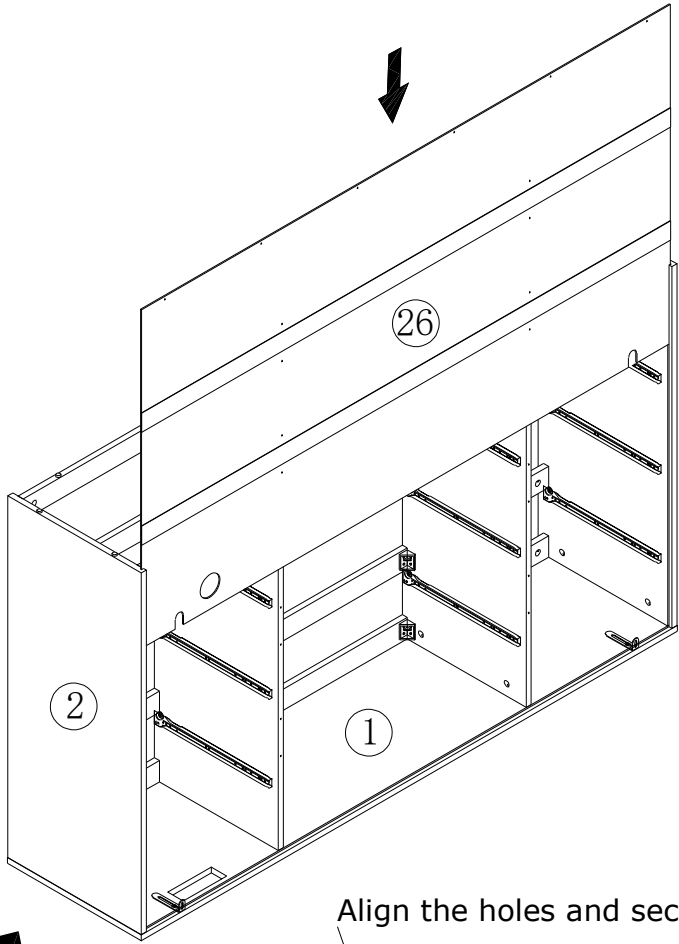
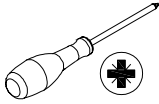
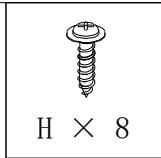


8

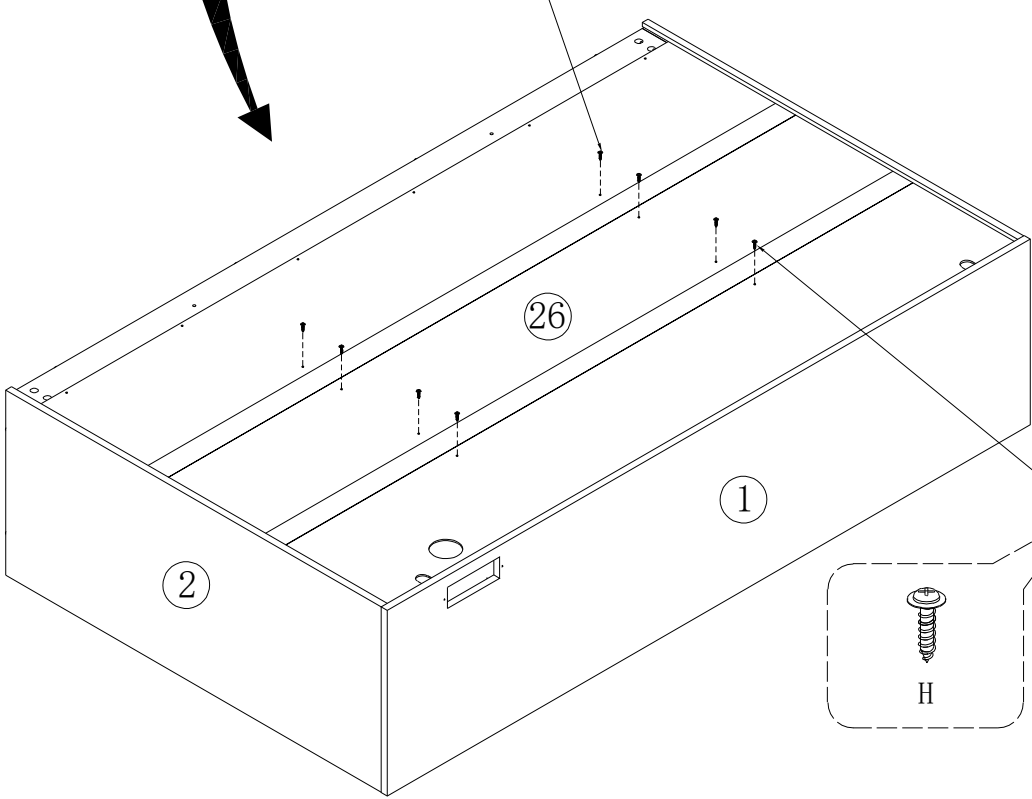
- A × 8
- B × 8
- C × 8
- F × 2



9



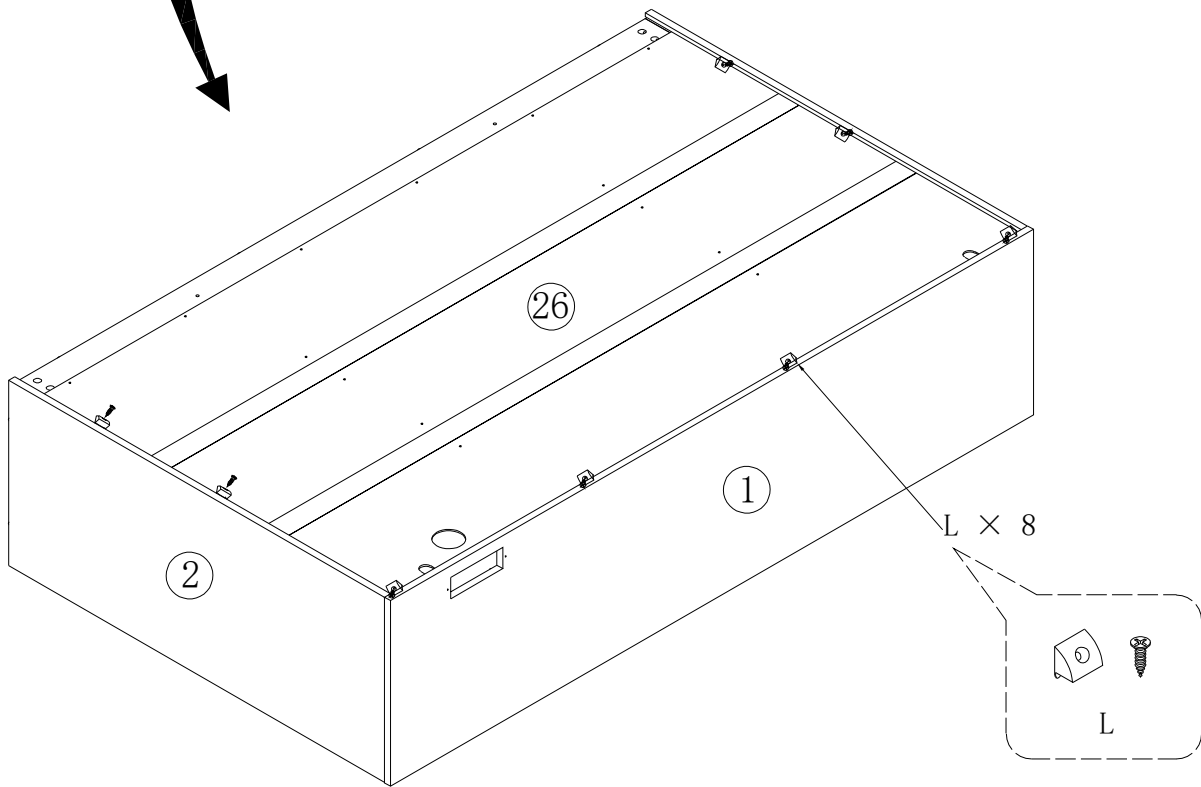
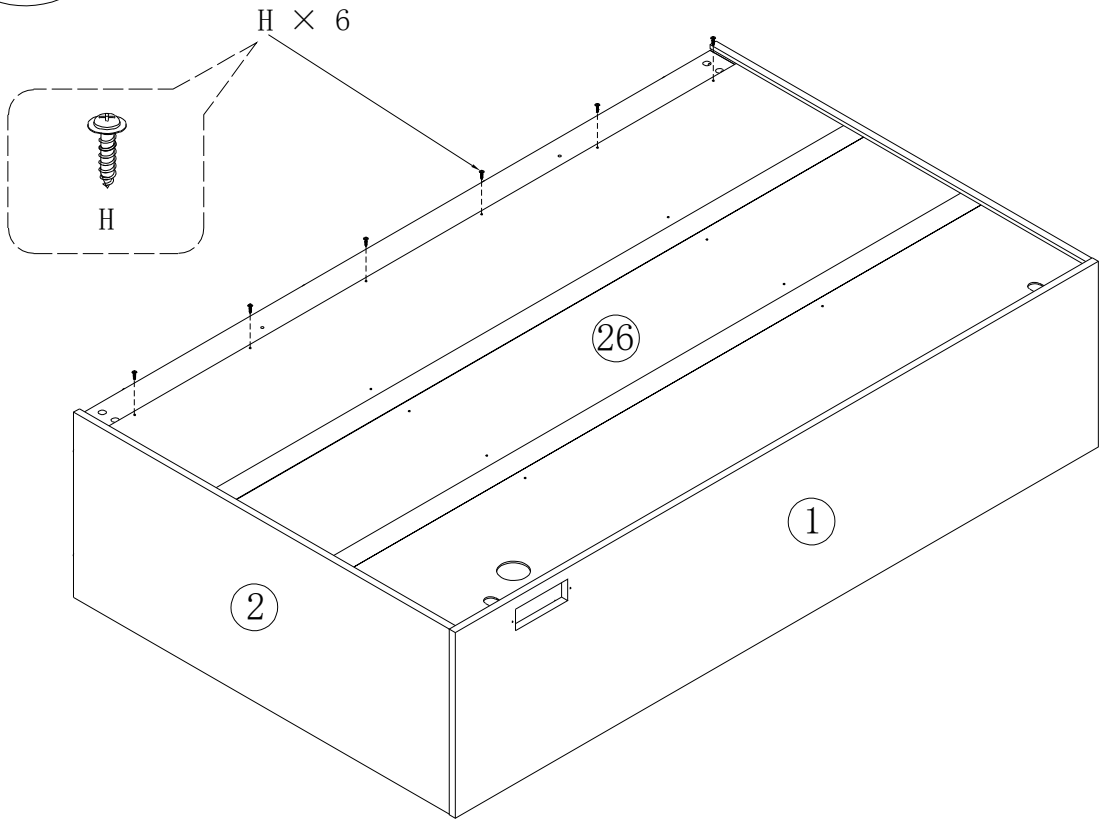
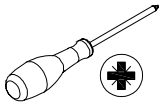
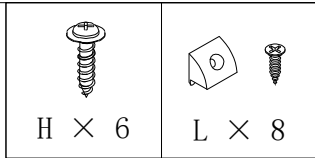
Align the holes and secure them with screws



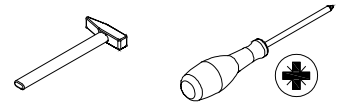
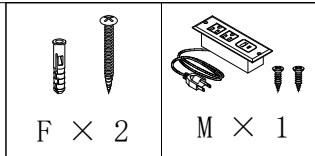
H × 8



10



11

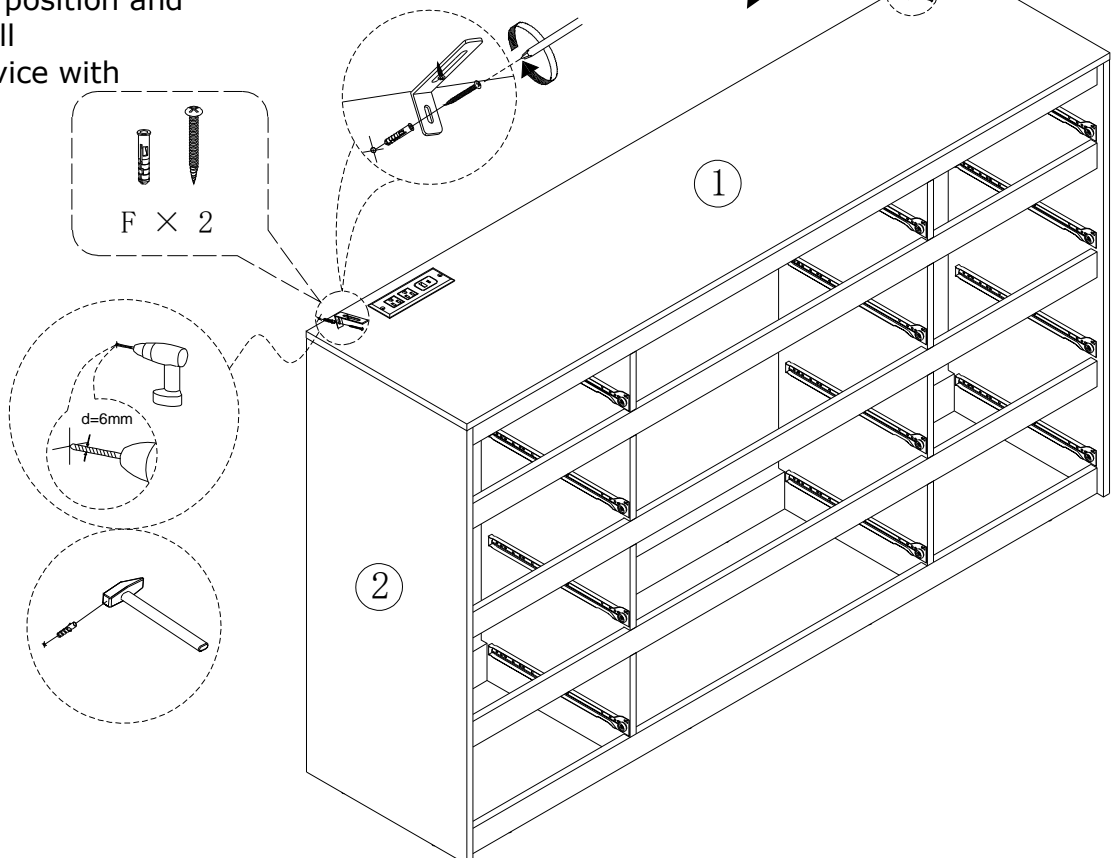
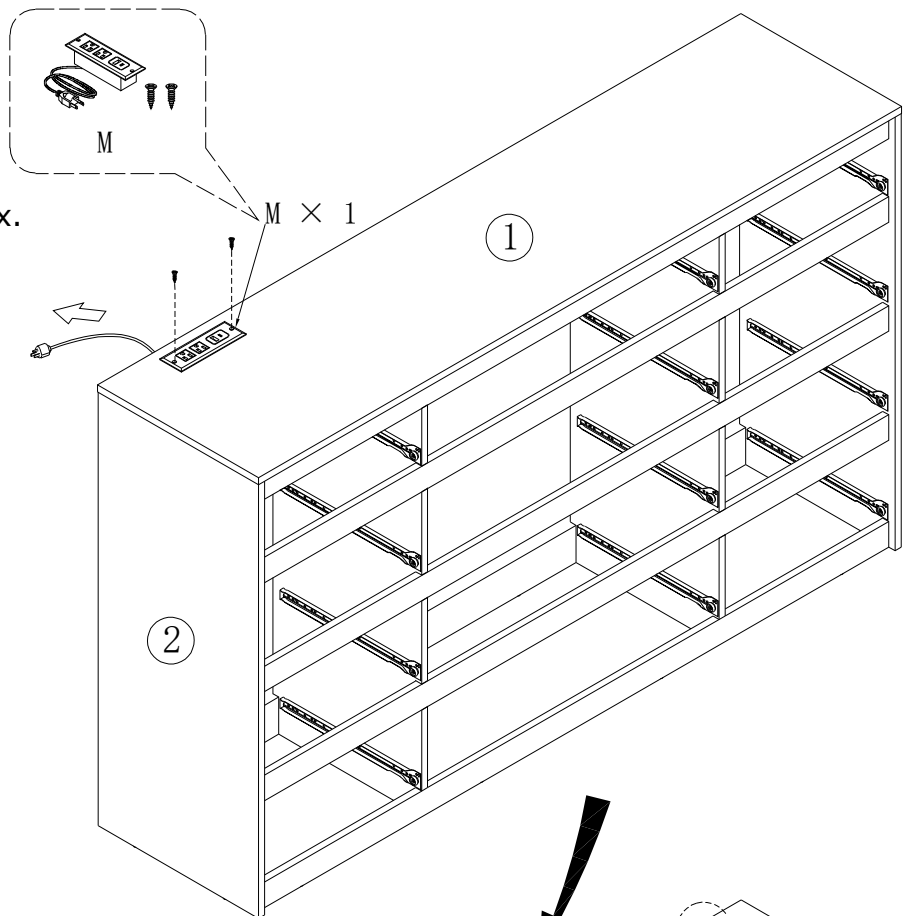


Install the socket, insert the socket into the board, and at the same time, pull out the wire from the wire hole to avoid blocking the drawer box.

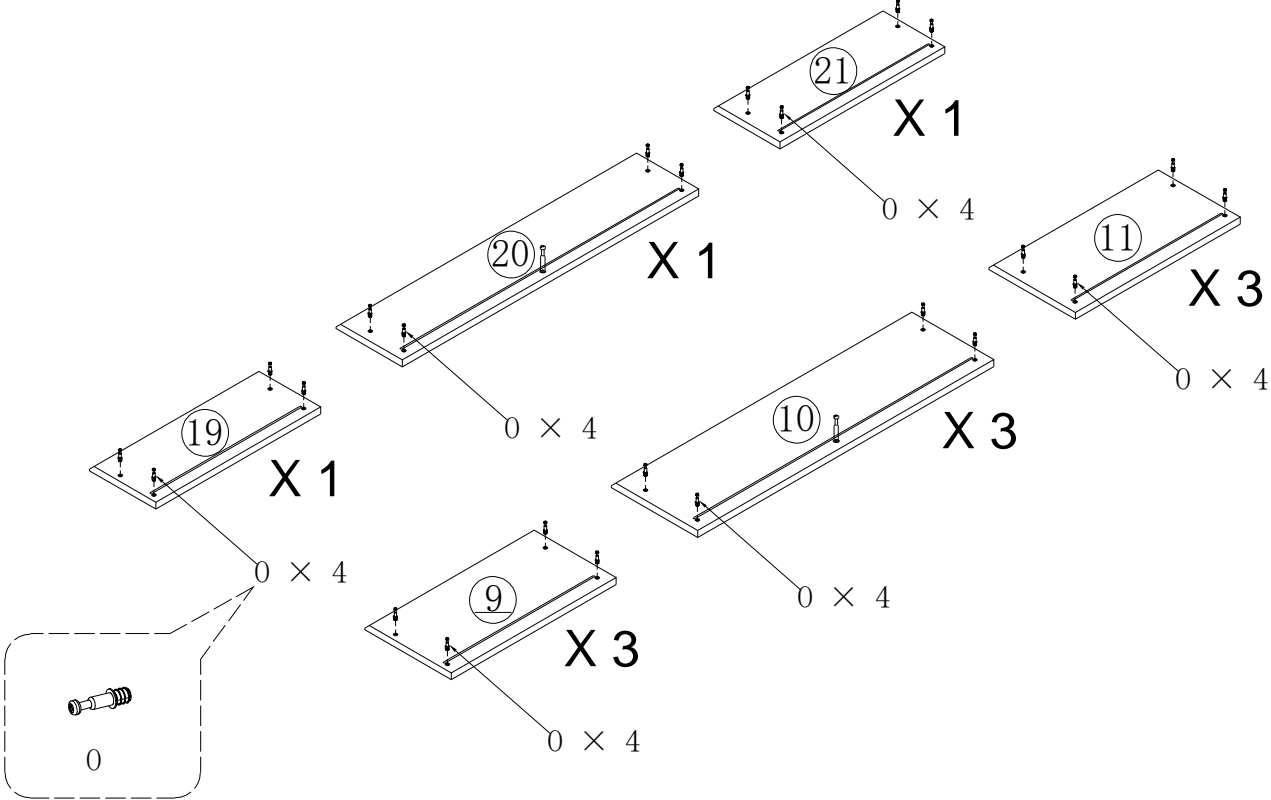
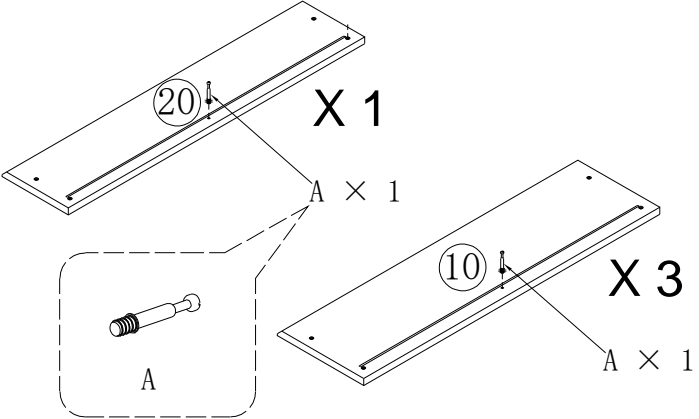
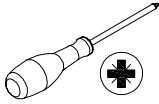
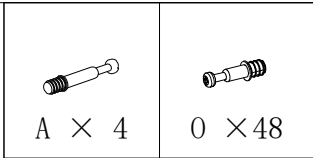
⚠ Warning: If you overturn the furniture, it may cause serious or fatal crushing injuries.

We have a wall connection device attached, please use it to hold the furniture following these instructions.


- 1, Mark the corresponding hole positions where you want to place the furniture;
- 2, Use an impact drill to drill holes and pay attention to avoid wires and water pipes;
- 3, Knock the expansion pipes into the wall holes;
- 4, Place the furniture in the corresponding position and tighten the wall connection device with screws.

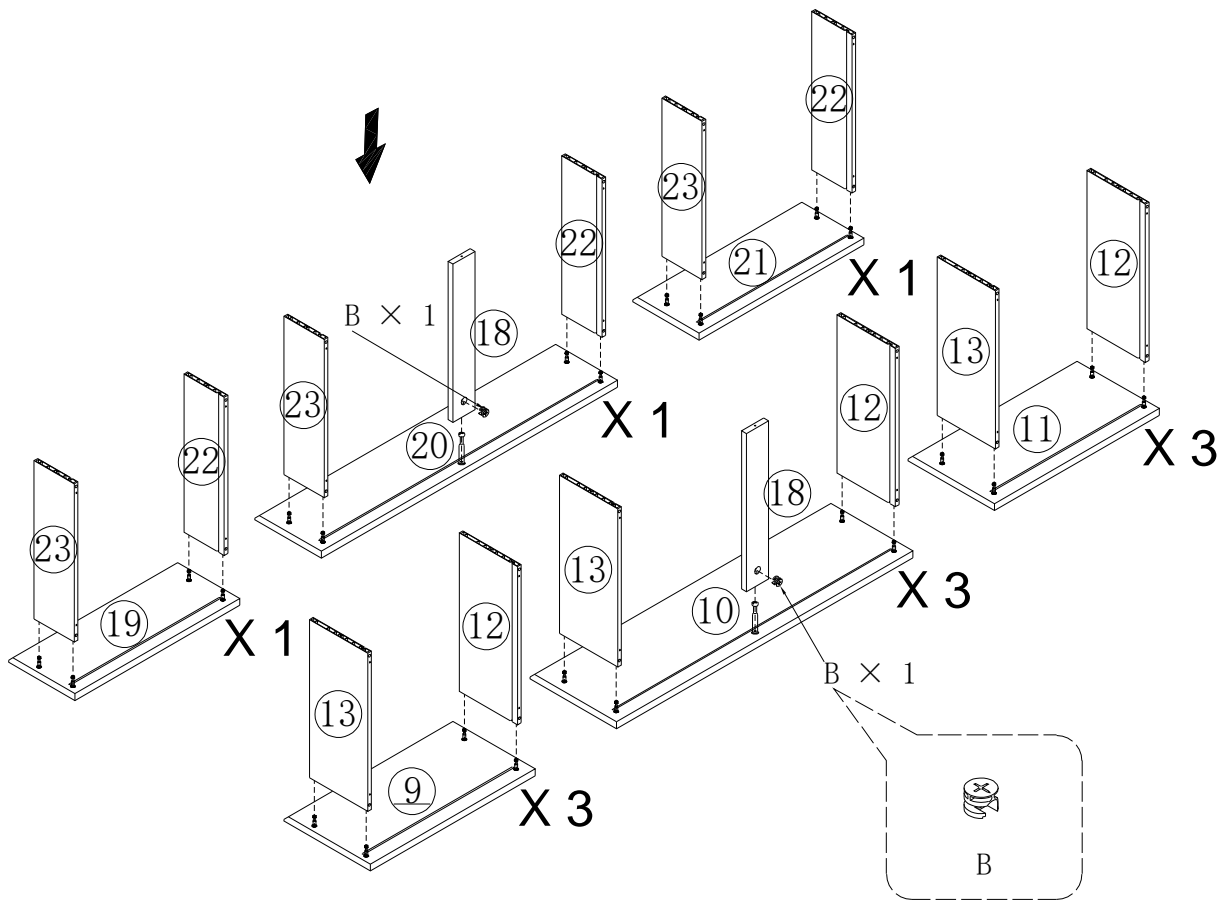
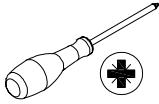


12




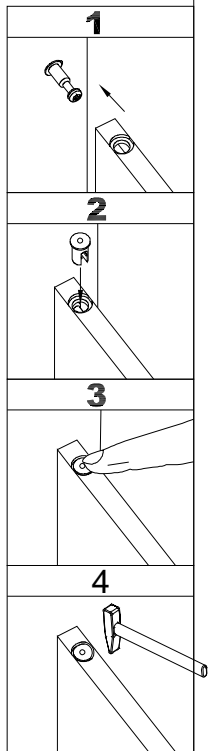
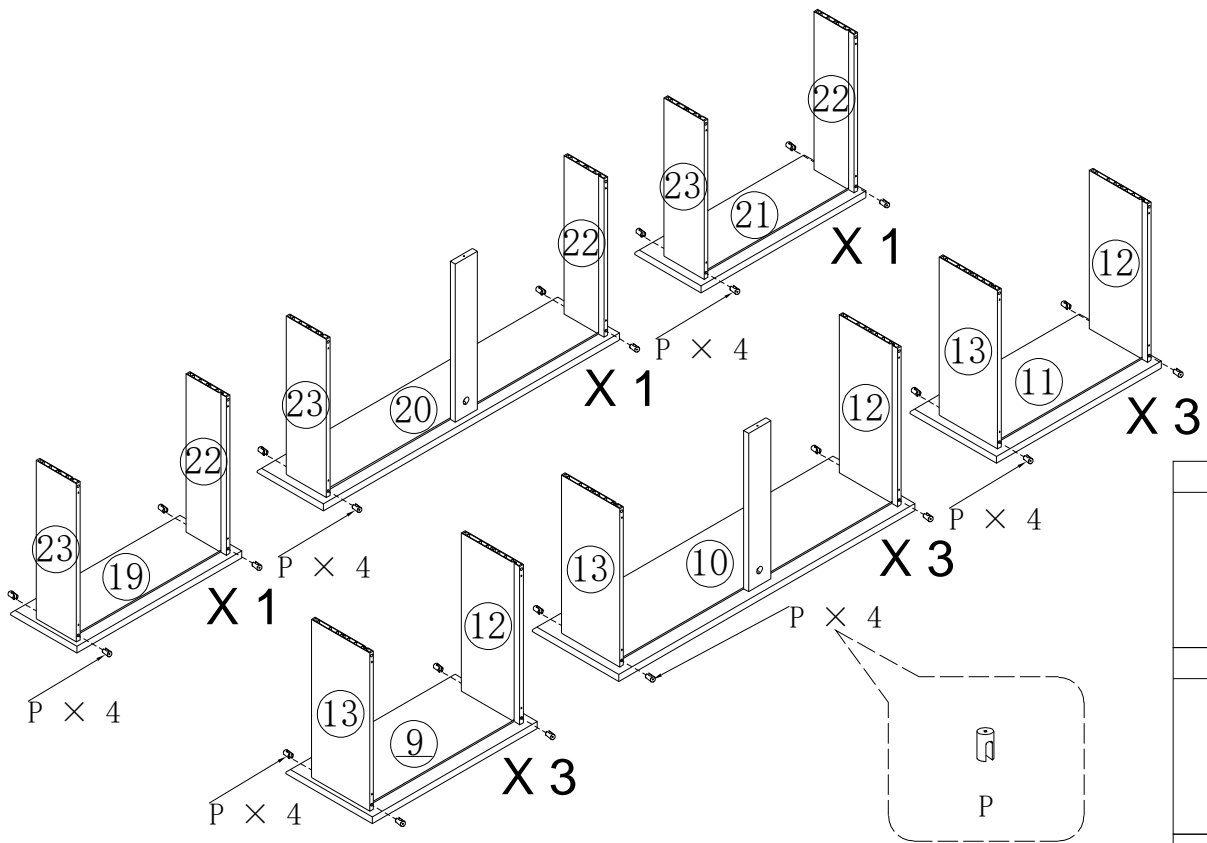
13


B × 4



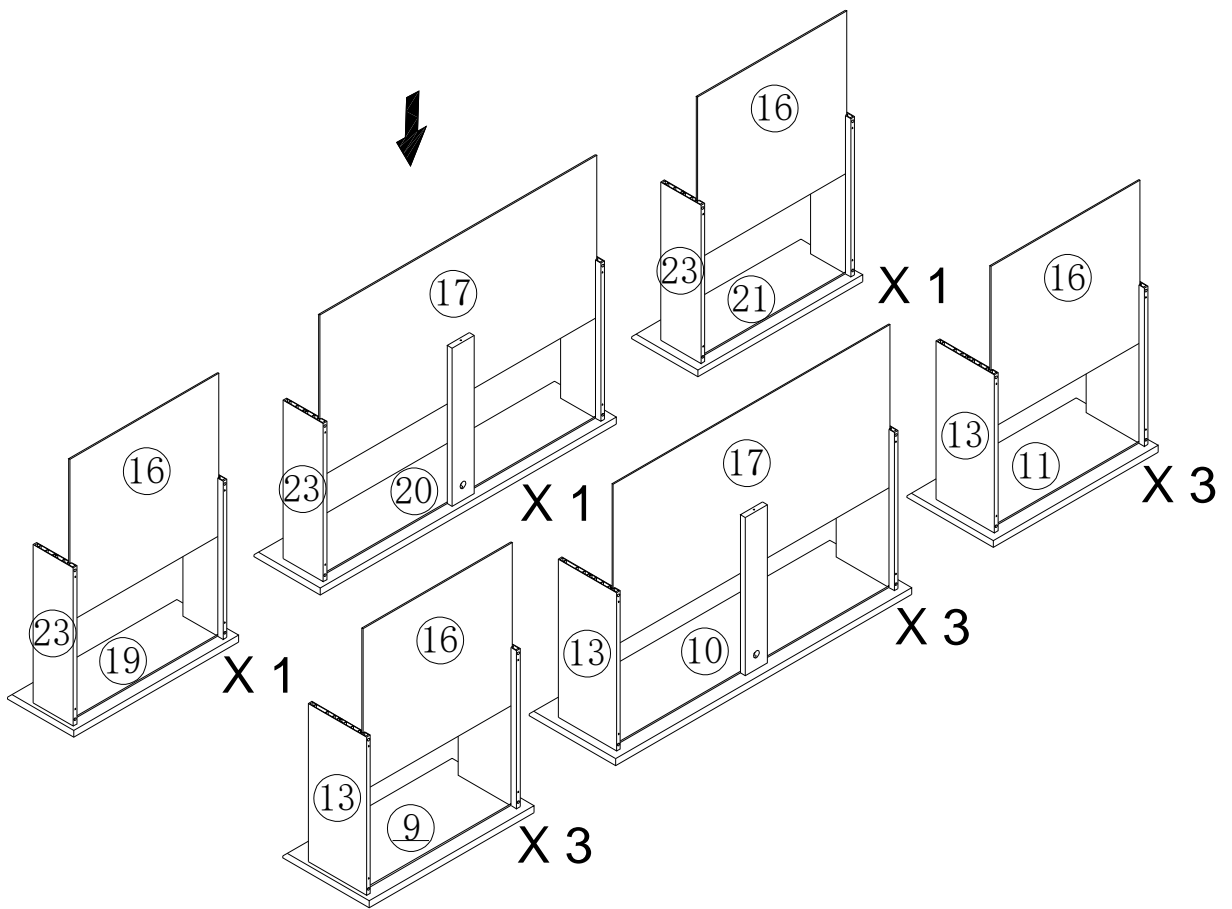
14


P × 48





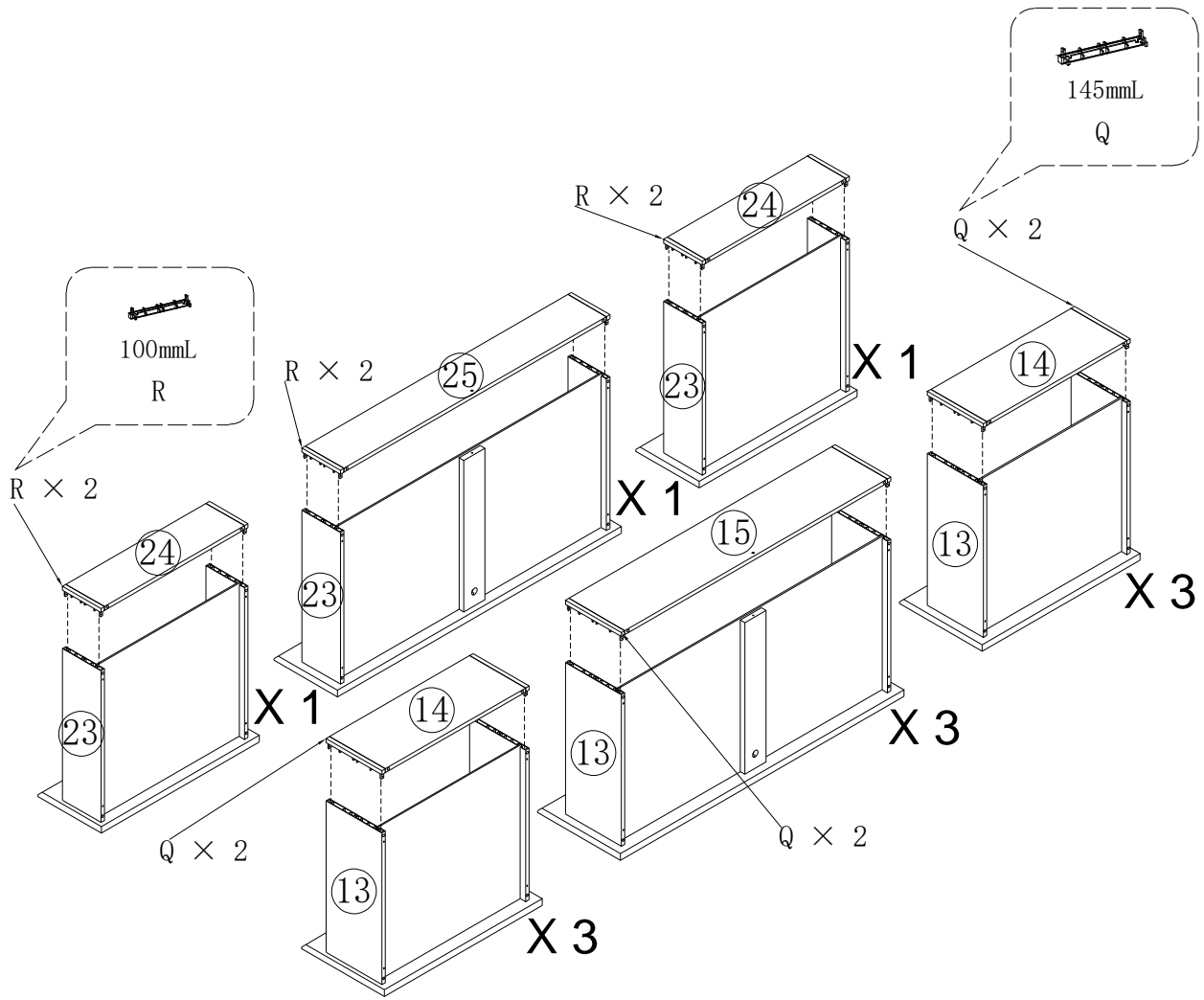
Gently tap flat

15




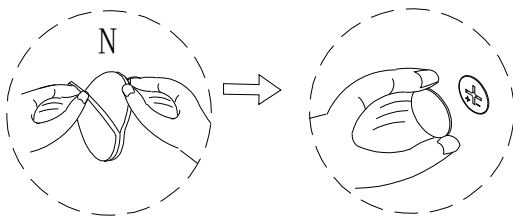
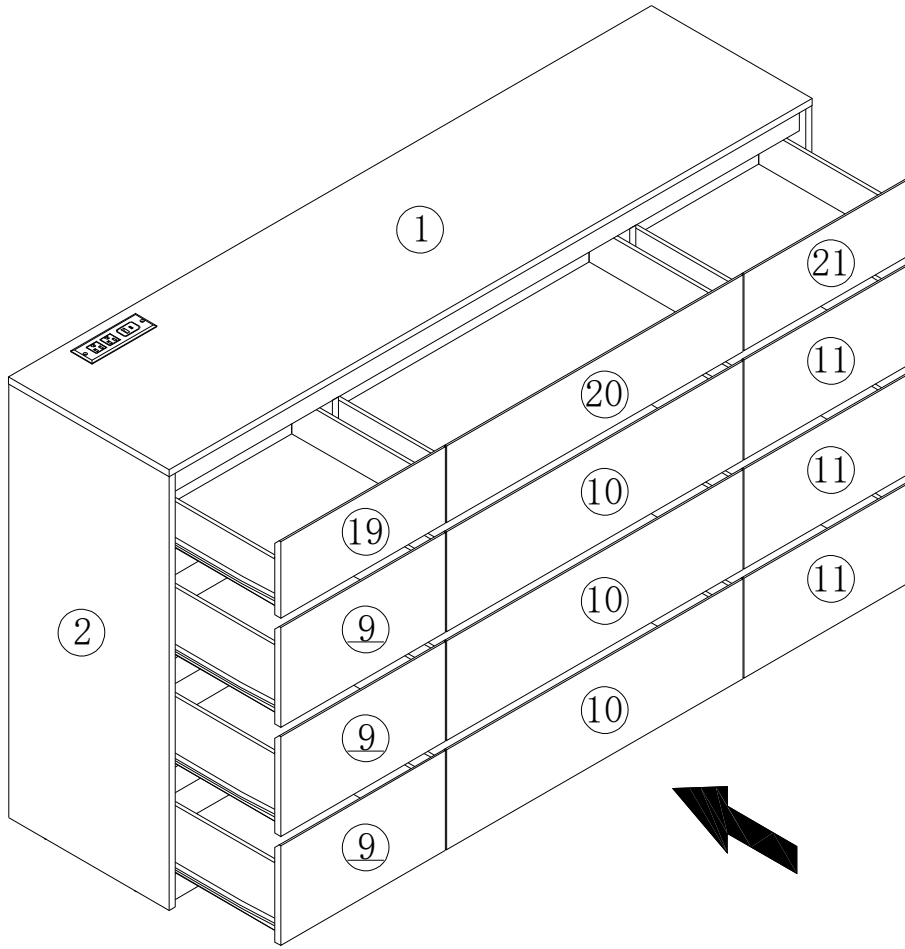
16

 145mmL Q × 18	 100mmL R × 6
---	--



19


N × 26



20

