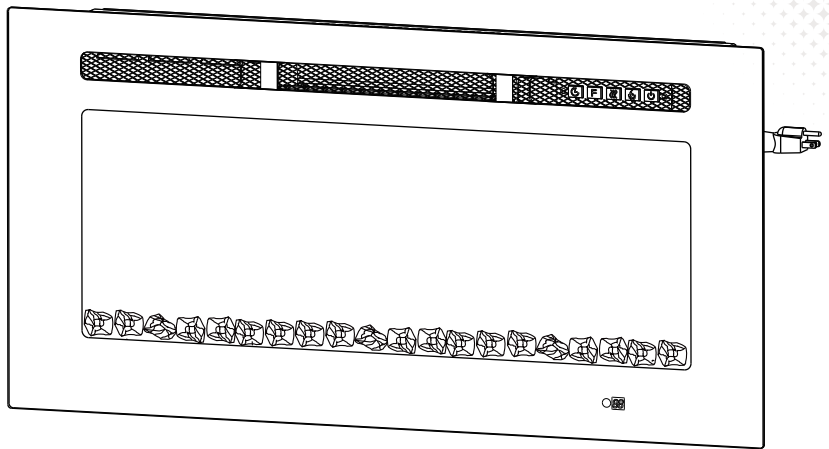


INSTRUCTION MANUAL

Electric Fireplace





WARNING

READ THIS MANUAL
BEFORE INSTALLING
AND OPERATING
THIS APPLIANCE.



WARNING

FAILURE TO FOLLOW
THESE INSTRUCTIONS
MAY RESULT IN
ELECTRIC SHOCK,
FIRE PROPERTY,
OR PERSONAL INJURY.



WARNING

**DO NOT STORE OR USE
GASOLINE OR OTHER
FLAMMABLE LIQUIDS
IN VICINITY OF THIS
APPLIANCE.**

IMPORTANT SAFETY INFORMATION!

⚠ WARNING

1. **Read all instructions before using this heater!**
2. This heater is hot **when in use**. To avoid burns, **DO NOT** let bare skin touch hot surfaces. If provided, use handles when moving this heater. Keep combustible materials, such as furniture, pillows, bedding, papers, clothes, and curtains at least **3 feet (0.9m)** from the front of the heater, and **keep them away from the sides and rear**.
3. **Extreme caution** is necessary when any heater is used by or near children or invalids and whenever the heater is left **operating and unattended**.
4. **DO NOT** operate any heater with a **damaged cord or plug** or after the **heater malfunctions**, has been **dropped or damaged in any manner**. Discard heater, or return to an authorized service facility for examination and /or repair.
5. **DO NOT** run power cord under carpeting.
6. **DO NOT** cover power cord with throw rugs, runners, or similar coverings.
7. **DO NOT** route power cord under furniture or appliances. Arrange power cord away from **traffic area**, and where it will not be tripped over.

⚠ WARNING

1. **Connect to properly grounded outlets ONLY.**
2. **DO NOT** insert or allow foreign objects to **enter any ventilation or exhaust openings**, as this may cause **electric shock** or fire, or **damage the heater**.
3. To prevent a possible fire, **DO NOT** block air intakes or exhaust in any manner. Doing so could cause a fire. **DO NOT** use on soft surfaces, like a bed, where openings may become blocked.
4. A heater has **hot and arcing or sparking parts inside**. **DO NOT** use it in areas where **gasoline, paint, or flammable liquids** are used or stored.
5. **Use this heater only as described in this manual. Any other use not recommended by the manufacturer may cause fire, electric shock, or injury to persons.**
6. **ALWAYS** plug heaters directly into a wall outlet/receptacle. **Never use an extension cord or relocatable power tap (outlet/power strip).**
7. **DO NOT** place the heater near a bed because objects such as pillows or blankets can fall off the bed and be ignited by the heater.
8. **NEVER** use this heater in **bathrooms, laundry rooms**, or any other location where the heater could fall into a **bathtub or pool, become damp, or come in contact with water**.
9. **AVOID FIRE!** Regularly inspect all air vents to make sure they are free from dust, lint, or other Blockage. **Unplug the unit** and clean with a **vacuum ONLY**. **DO NOT** rinse or get wet.

WARNING

10. **ALWAYS** mount to wall bracket before use. **DO NOT** set on the floor, or other surface, to use.
11. **NEVER** use a wall mount bracket from another manufacturer.
12. This product is **not intended** to be a **primary heat source**. It is for **supplemental heat only**.
13. **INDOOR use only! NEVER** use this heater **outdoors!** Doing so may result in **electric shock!**
14. **Risk of electric shock! DO NOT OPEN!** No user-serviceable parts inside!
15. **ALWAYS** turn this heater off before unplugging it from the outlet.
16. **ALWAYS** disconnect this unit from the **power** supply **before** performing any assembly or cleaning, or before relocating the electric fireplace.
17. **NEVER** leave this heater unattended. **ALWAYS** unplug this heater when not in use.
18. **ALWAYS** store this heater in a dry location. **NEVER** use the fireplace if it has become wet.
19. **NEVER** plug this heater into an outlet that is **old, cracked,** or has any **loose wires or connections**. Plugging this heater into a faulty outlet could result in **electric arcing** within the outlet that could cause the **outlet to overheat or catch fire**.
20. **ALWAYS** check your heater cord and plug connections with **each use!**
 - i) **MAKE SURE** the plug fits tightly in the outlet! Faulty wall outlet connections or loose plugs can cause the outlet to overheat.
 - ii) **Heaters draw more current** than small appliances. **Overheating** may occur even if it has not occurred with the use of other appliances.
 - iii) During use **check frequently** to see if the plug outlet or **faceplate** is **HOT!**
 - iv) If the outlet or faceplate is **HOT, discontinue use immediately** and have a qualified electrician inspect and/or replace the faulty outlets.

TOOLS REQUIRED



PHILLIPS
SCREWDRIVER



DRILL &
NO.6 DRILL BIT



PENCIL
& RULER

+ AAA - 2 AAA BATTERIES



LEVELER



2Persons Assembly

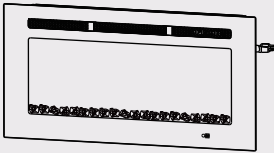


Minimum 30 Minutes For Assembly

PARTS & HARDWARE

A

Fireplace



1PC

B

4PCS



4x12mm Screws

C

1PC



Remote Control

D

1BAG



Decorative Crystals

E

Plastic buckle



4 PCS

F

3x10mm Screw



8 PCS

PRODUCT ASSEMBLY

Helpful Advice before Fitting

1. Please retain all packaging until you have checked and counted all the parts and the contents of the hardware pack against the parts list.
2. The hardware pack contains small items which should be kept away from young children.
3. We suggest that you open the hardware pack and place all the contents into a container, therefore reducing the risk of losing any small pieces.

Installation

1. Do not connect the appliance until properly fixed to the wall and the instructions are fully read.
2. The minimum distances must be observed in the diagrams.
3. For installation of the appliance, care must be taken not to damage concealed cables.
4. Please be careful while drilling the holes.

PRODUCT ASSEMBLY

Manual Operation

The switches located at the center right hand side of the fire .The standby switch must be first switch on.

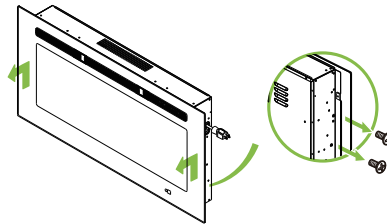
IMPORTANT: THESE INSTRUCTIONS SHOULD BE READ CAREFULLY AND RETAINED FOR FUTURE REFERENCE!

Manual Operation

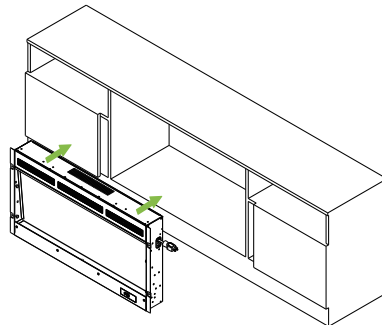
The switches located at the center right hand side of the fire .The standby switch must be first switch on.

Mantel Insert Instructions

- 1 Remove four silver screws from the sides of the heater. Remove the tempered glass by lifting it from the lugs on the sides.

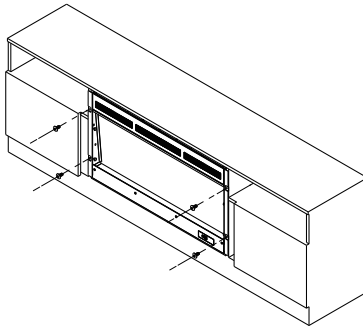


- 2 Take the glass from the appliance first, then gently put the appliance to the cut hole by two persons. Please see Fig.1

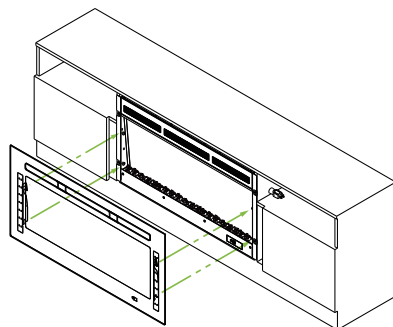
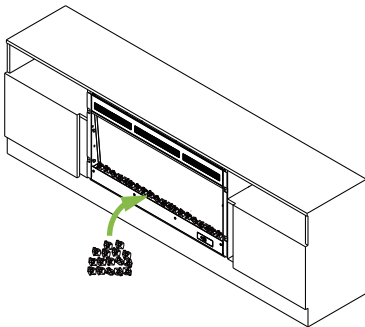


PRODUCT ASSEMBLY

- 3** For optimum viewing, mark the left and right screws (fixing positions on the wall in accordance with the appliance's holes; See Fig.2



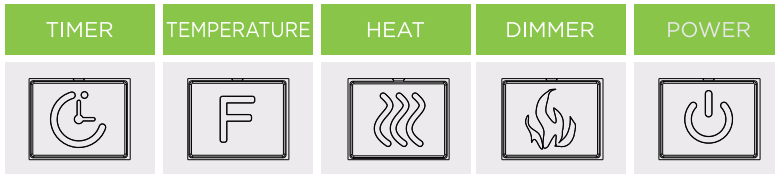
- 4** Place the front glass surround over the front of the fire aligning the slots in the bracket at each side of the glass panel with the lugs on the sides of the fire; See Fig.3
Again, two people will be required for this operation.



INSTRUCTIONS FOR USE

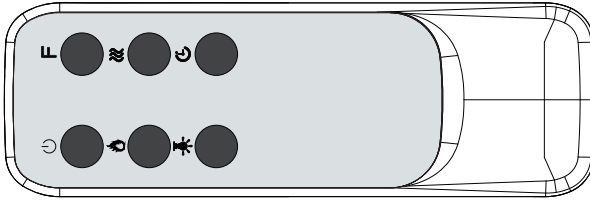
The appliance can be operated either by the switches located on the top right hand side of the fire or by supplied remote control.

TO ACCESS CONTROL PANEL



1. The standby switch located at the center right hand side of the fire must be first switch on.
2. It takes some time for the receiver to respond to the transmitter. Do not PRESS the buttons more than once within two seconds for correct operation.
3. Press once the button ON/OFF on the remote control this turns ON/OFF the appliance and fire effect.
4. COLOR button: Makes the color flame effect changing.
 1. Press once. Flame color effect gets changing.
Press again until desired setting is reached.
Keep press 3 seconds Makes flame effect dimmer and brighter.
Press again until desired setting is reached.
Keep press 3 seconds Makes flame effect dimmer and brighter.
5. Press once the HEAT button for the low heat setting(750W); press twice for the high heat setting(1500W); press again to turn off the heater.
6. Temperature setting. The highest temperature of the thermostat is 82F. There are several thermostat levels you can cycle through between 62F and 82F, and the OFF settings.
7. Timer setting. Press the TIMER button to cycle through the timer settings (1Hour, 2H, 3H,4H,5H,6H,7H,and 8H) and the OFF setting.
- 8.1.LED backlight button: Turn on LED backlight and change color
NOTE: This button only on remote

INFRARED REMOTE CONTROL



⚠ WARNING

Remote control requires two AAA batteries

⚠ WARNING

DO NOT mix old and new batteries.

DO NOT use rechargeable silver oxide cell batteries with remote control unit.

DO NOT mix alkaline. Standard (Carbon-zinc). Or rechargeable (Nickel - Cadmium) batteries.

DO NOT dispose of batteries in fire. Improper disposal may cause batteries to leak or explode.

INFRARED REMOTE CONTROL

BUTTON	FUNCTION
 <p>POWER</p>	<p>ON: Enables control panel functions and remote control. Turn on flame effect.</p> <p>OFF: Disables control panel functions and remote control. Turn off flame effect.</p>
 <p>FLAME</p>	<p>COLOR button: Makes the color flame effect changing.</p> <p>1.Press once. Flame color effect gets changing. Press again until desired setting is reached.</p> <p>Keep press 3 seconds Makes flame effect dimmer and brighter. Press again until desired setting is reached.</p> <p>Keep press 3 seconds Makes flame effect dimmer and brighter.</p>
 <p>HEAYER</p>	<p>HEATER button: Turn heater on and off.</p> <p>NOTE: To prevent overheating, the heater fan will blow out cool air for 30 seconds after the heater turn off.</p> <p>1.Press once. Indicator lights up. 750W heater turns on and blows warm air.</p> <p>2.Press again. Indicator lights up. 1500W heaters turns on and blows hot air.</p> <p>3.Press again. Heaters turn off.</p> <p>The fan blows cool air for 30 seconds to allow heater to cool down, then turns off.</p>
 <p>TEMP</p>	<p>1.TEMPERATURE button: Control temperature settings to choose temperature as desired. Setting range from 62F to 82F. Press once. Indicator light turn on. Temperature is set to 62F. 21Settings: (62F, 63F, 64F, 65F, 66F, 67F, 68F, 69F, 70F, 71F, 72F, 73F, 74F, 75F, 76F, 77F, 78F, 79F, 80F, 81F, 82F)</p>
 <p>COLOR</p>	<p>1.LED backlight button: Turn on LED backlight and change color</p> <p>NOTE: This button only on remote</p>
 <p>TIMER</p>	<p>TIMER button: Control timer settings to turn off fireplace at selected time.8 Settings range 1H,2H,3H,4H,5H,6H,7H,8Hours.</p>

IMPORTANT SAFETY INSTRUCTIONS

When using this electrical appliance, basic precautions should be followed to reduce the risk of fire, electric shock, and injury to person, including the following :

- 1.This heater must be used on an AC supply only and the voltage marked on the heater must correspond to the supply voltage.
- 2.Do not switch the appliance on until it properly installed and described in this manual.
- 3.Do not leave the appliance unattended during use.
- 4.Do not leave the appliance unattended whilst connected to the mains supply.
- 5.Keep out of reach of children and do not allow them to operate this appliance.
- 6.From time to time, check the cord for damage .Never use the appliance if the cord or any part of the appliance shows signs of damage.
- 7.Do not operate this appliance with a damaged plug or cord, after a malfunction or after being dropped or damaged in any way.
- 8.Repairs to electrical appliances should only be performed by a qualified electrician.
- 9.Improper repairs may place the user at serious risk.
- 10.Do not run the cable under carpets, rugs etc.
- 11.Do not allow the mains cable to hang over sharp edges or come into contact with hot surfaces.
- 12.WARNING: In order to avoid overheating, do not cover or obstruct the heater in any way.
- 13.Overheating will result if it is accidentally covered.
- 14.Never immerse the product in water or any other liquids.

LED BULB REPLACEMENT

Note: The flame effect on this electric fireplace insert is created by LED Bulbs.

The life of these LED bulbs will be 100,000 hours. The users are not recommended to Replace the LED Bulbs. For any reason should the bulbs stop working properly, contact a Qualified technician.

Cleaning

1. Turn heater OFF and unplug from electrical outlet before any cleaning or maintenance is performed. Wait at least 10 minutes to allow all components to cool properly.
2. Use a vacuum or duster to keep heater and vent area clean from dust and dirt.
3. The exterior of the fireplace should be cleaned with a damp cloth or duster.
4. Do not use abrasive cleaners or liquid sprays.

! WARNING

1. To avoid electrical shock not open the back panel of the insert unless the power has been turned off. And the insert has been unplugged.
2. Any electrical repairs to this electric fireplace. Should only be performed by a qualified technician.
3. Any electrical wiring repairs should only be performed by a qualified technician. And also must comply with local buildings codes.
4. Discontinue use of this electric fireplace if any of the follow has occurred: Water damage. If insert has been or dented. If power cord has become broken. If power cord becomes hot to touch, if unit smokes or smells like smoke.

Note:

When the heat functions is used for the first time. A slight odor may be present. This is normal and should be occur again unless heater is not used.

For extended periods of time and dust is allowed to accumulate on heater element.

Technical Specification

- **Supply:** 120V/60Hz
- **Rated power:** 750W/1500W

Meaning of crossed - out wheeled dustbin:

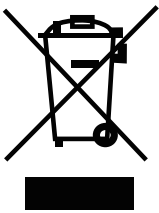
Do not dispose of electrical appliances as unsorted municipal waste, use separate collection facilities.

Safety Cut-Off

- This appliance is fitted with a safety cut-off which will operate if the fire overheats (e.g. due to blocked air vents) .For safety reasons, the fire will NOT automatically reset.
- To reset the appliance, disconnect the appliance from the mains supply for at least 15 minutes. Reconnect the supply to the mains and switch on the appliance.

TROUBLESHOOTING

Symptom	Solution
No operation/no fan	Check fuse by replacement, Check for safety cut-off operation
No fire effect light	Check the LED light with technician.



Meaning of crossed –out wheeled dustbin:

- Do not dispose of electrical appliances as unsorted municipal waste, use separate collection facilities.
- Contact you local government for information regarding the collection systems available.
- If electrical appliances are disposed of in landfills or dumps, hazardous substances can leak into the groundwater and get into the food chain, damaging your health and well-being.

When replacing old appliances with new ones, the retailer is legally obligated to take back your old appliance for disposals at least free of charge.