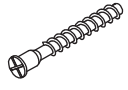
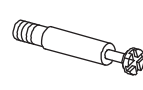




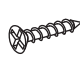
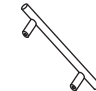
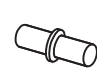
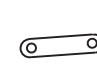


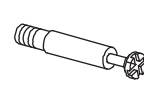
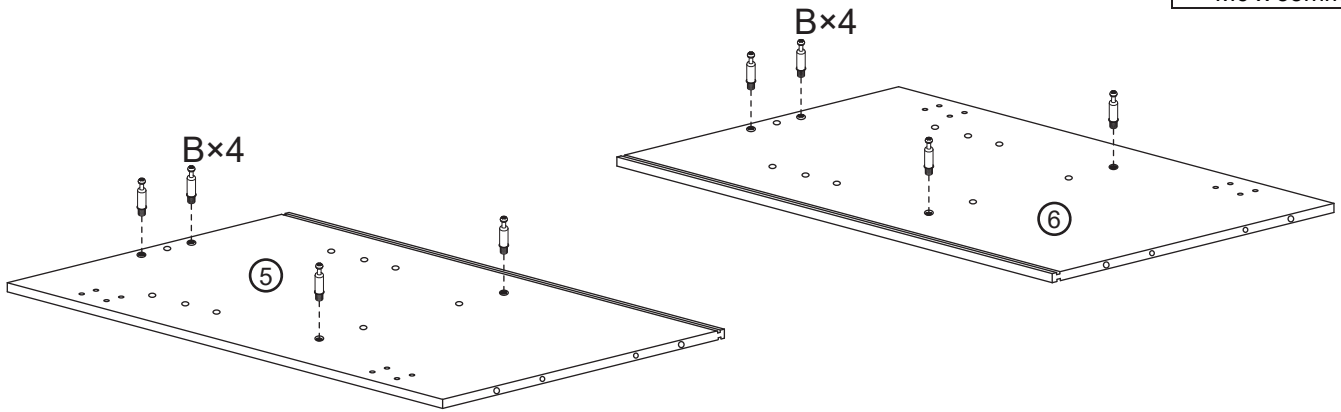




A×4PCS  Ø5×40mm	B×56PCS  M6 x 35mm	C×56PCS  Ø6×30mm	D×56PCS  Ø15×9mm	E×4PCS 	F×8PCS 
G×90PCS  Ø3.5×12mm	H×6PCS 	I×12PCS 	J×6PCS 	K×12PCS  Ø4×15mm	L×3PCS 

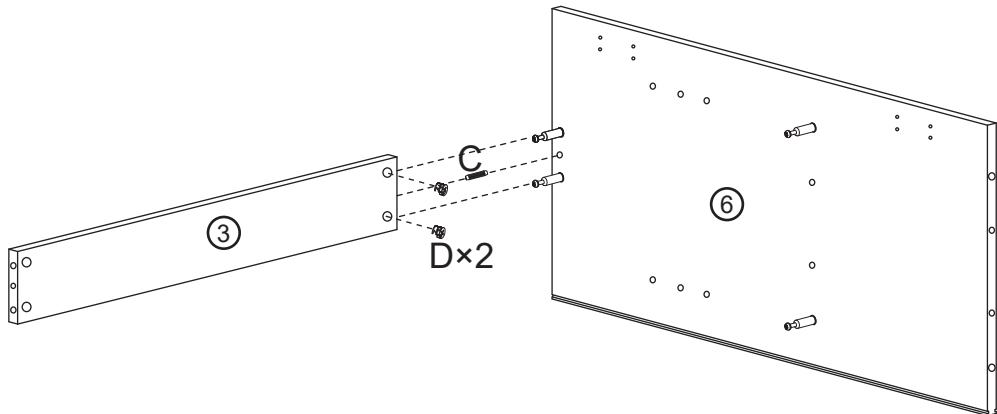
# 1.



B×8PCS  M6 x 35mm
--



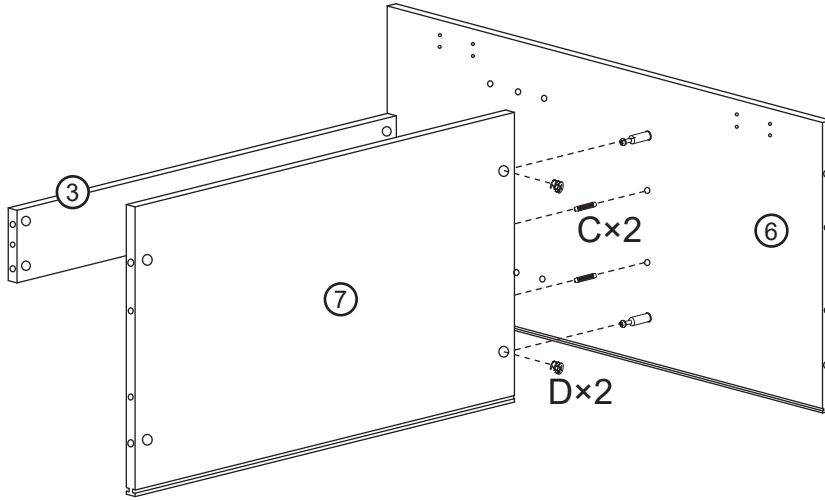
# 2.



C×1PC  Ø6×30mm	D×2PCS  Ø15×9mm
---	--



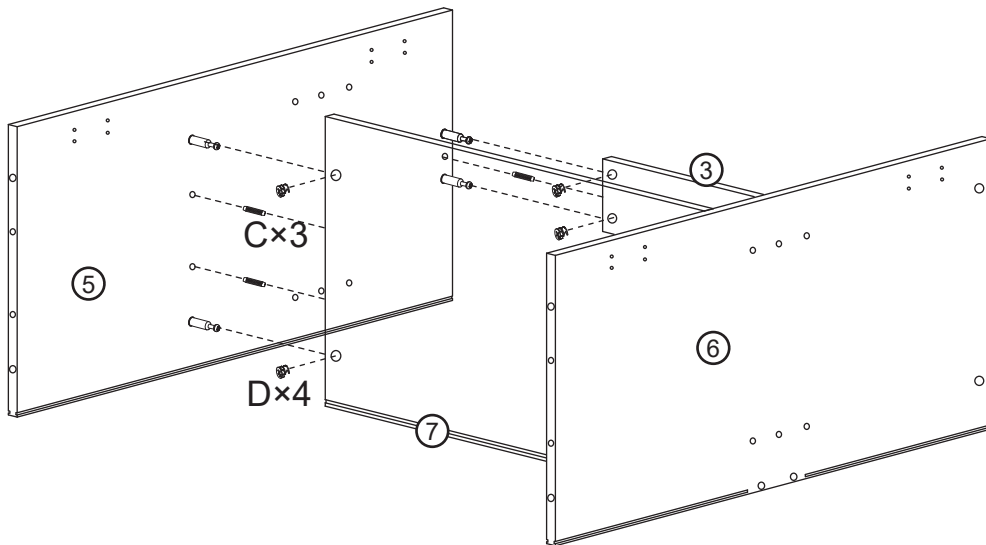
C×2PCS	D×2PCS
	
Ø6×30mm	Ø15×9mm

3.

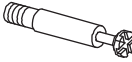



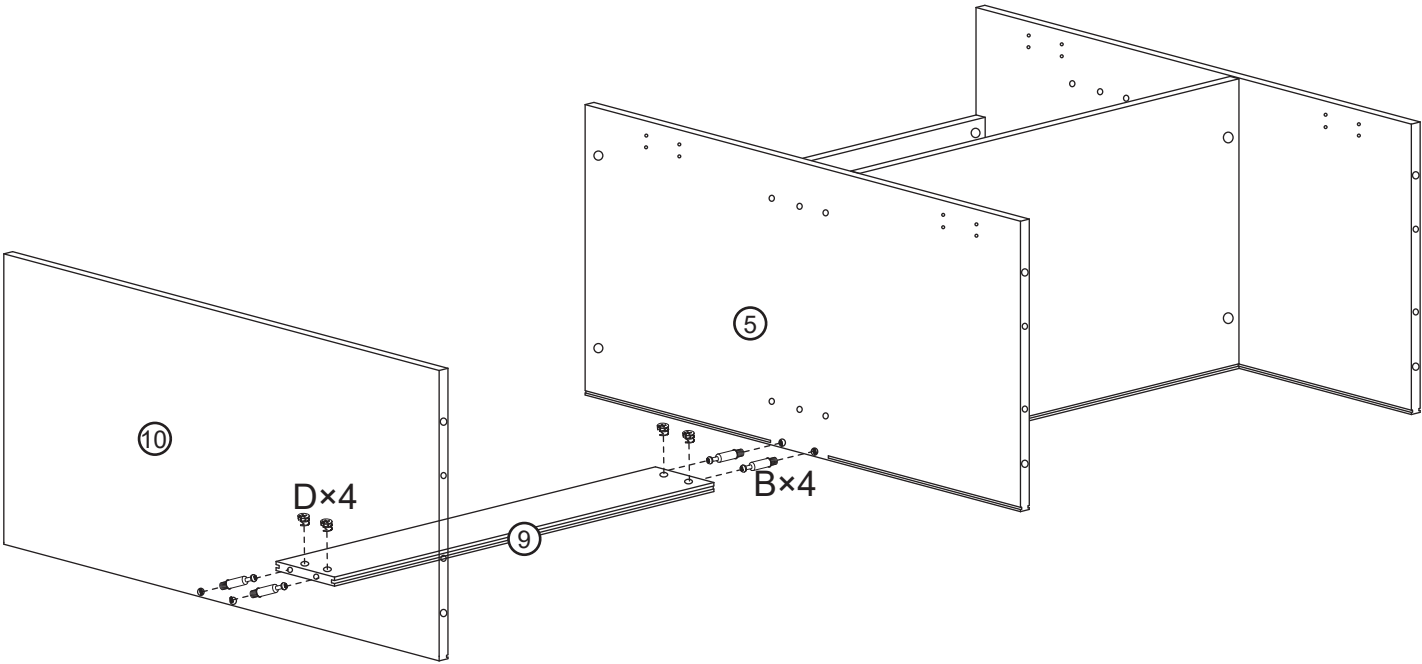
C×3PCS	D×4PCS
	
Ø6×30mm	Ø15×9mm

4.

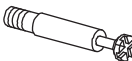



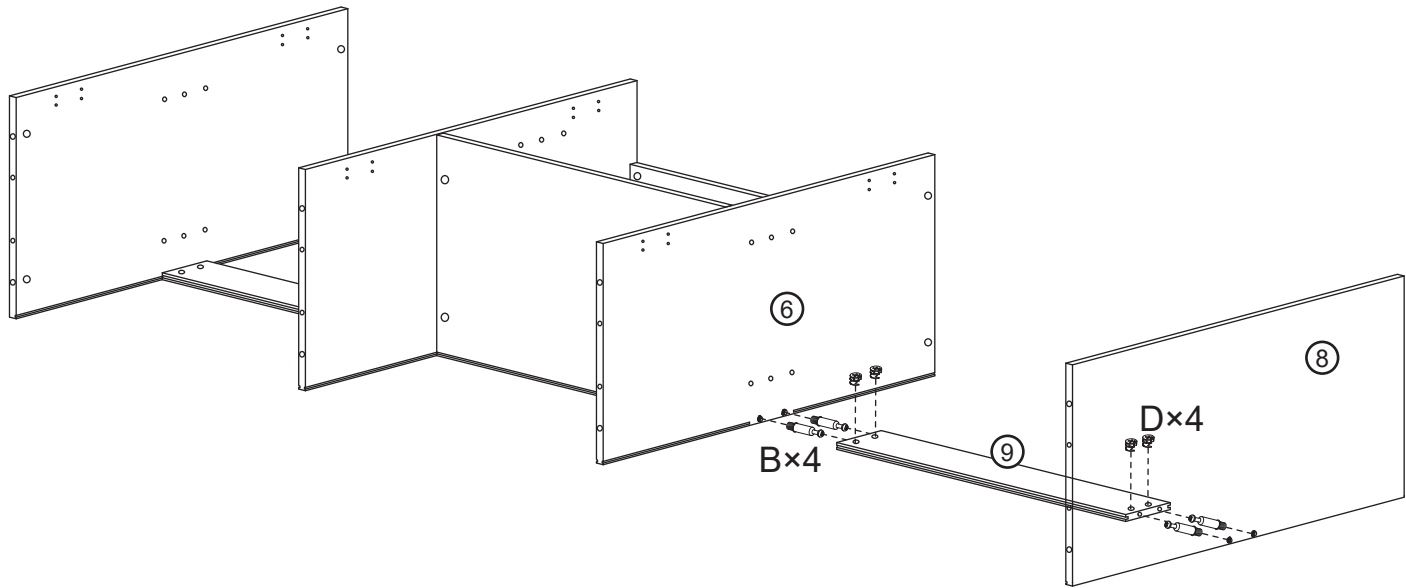
# 5.

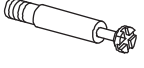




B×4PCS	D×4PCS
	
M6 x 35mm	Ø15×9mm



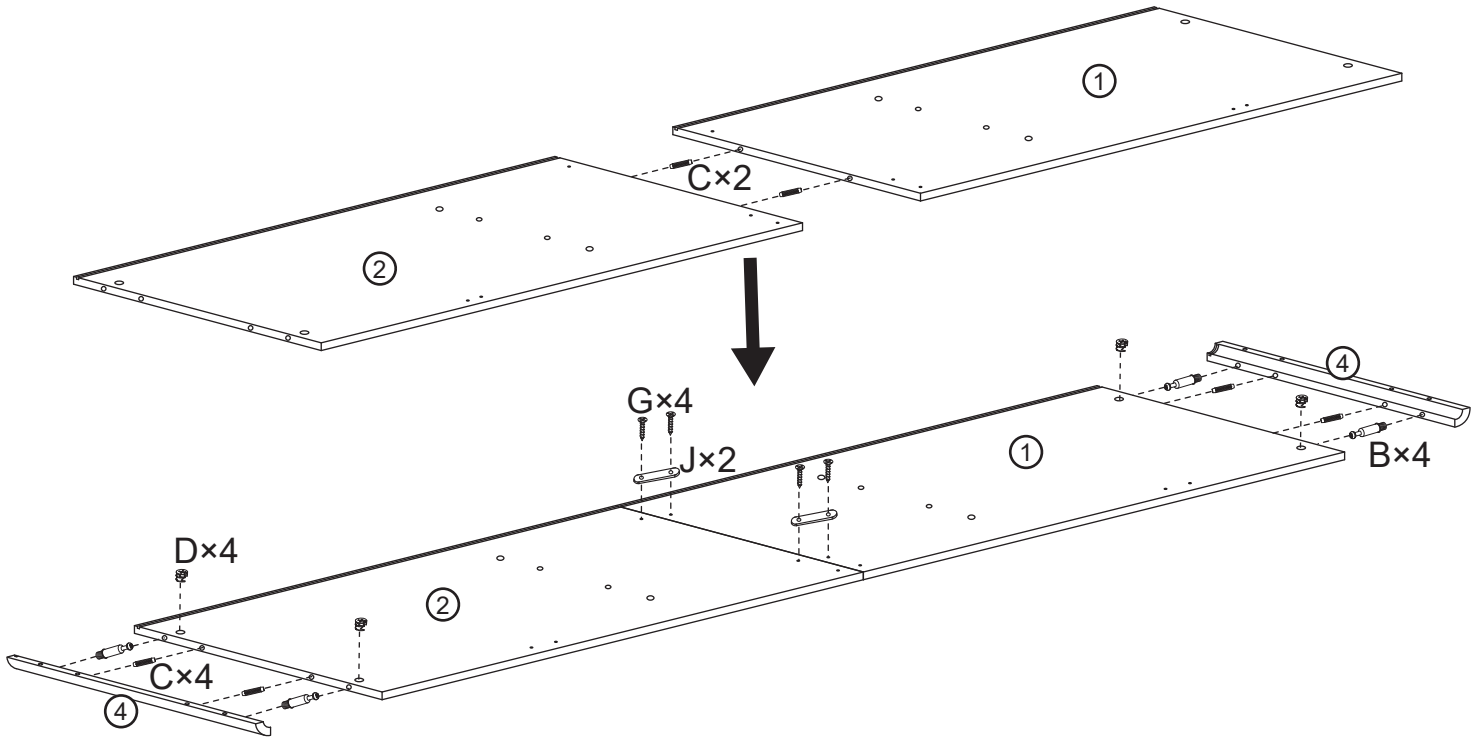
# 6.

B×4PCS	D×4PCS
	
M6 x 35mm	Ø15×9mm

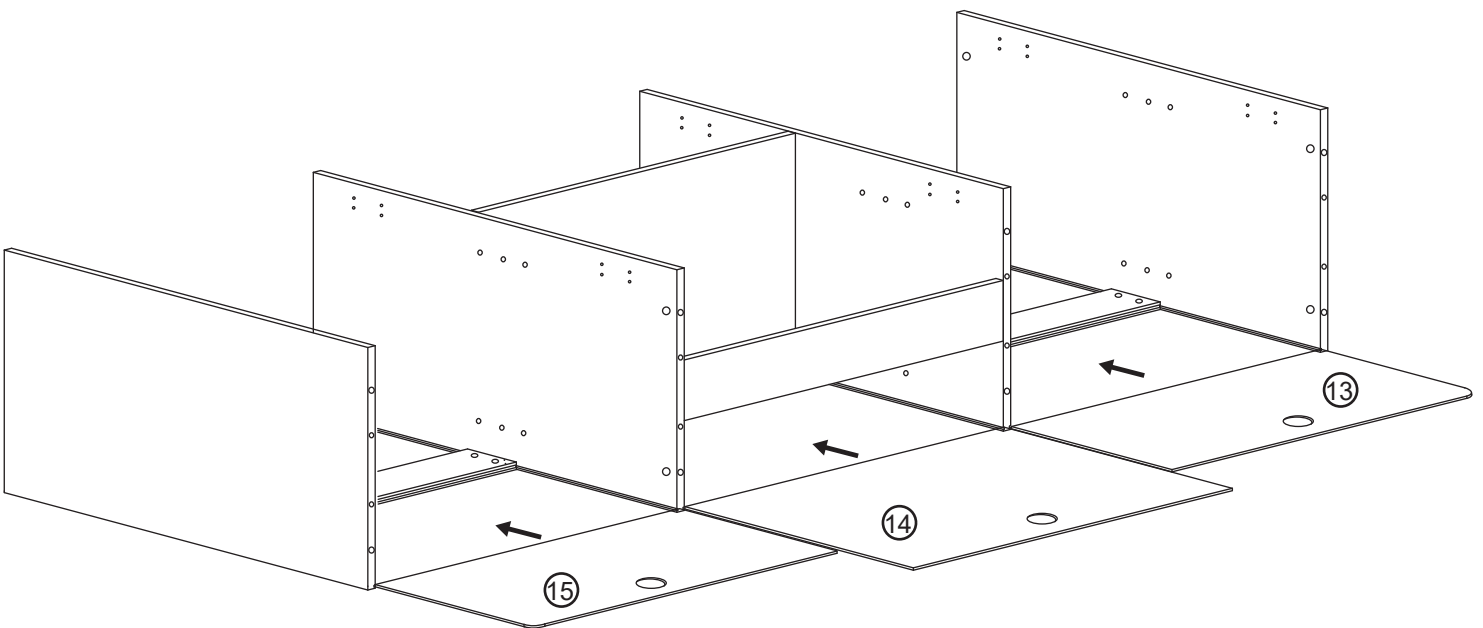


B×4PCS	C×6PCS	D×4PCS	G×4PCS	J×2PCS
				
M6 x 35mm	Ø6×30mm	Ø15×9mm	Ø3.5×12mm	

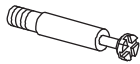


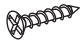
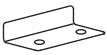
# 7.

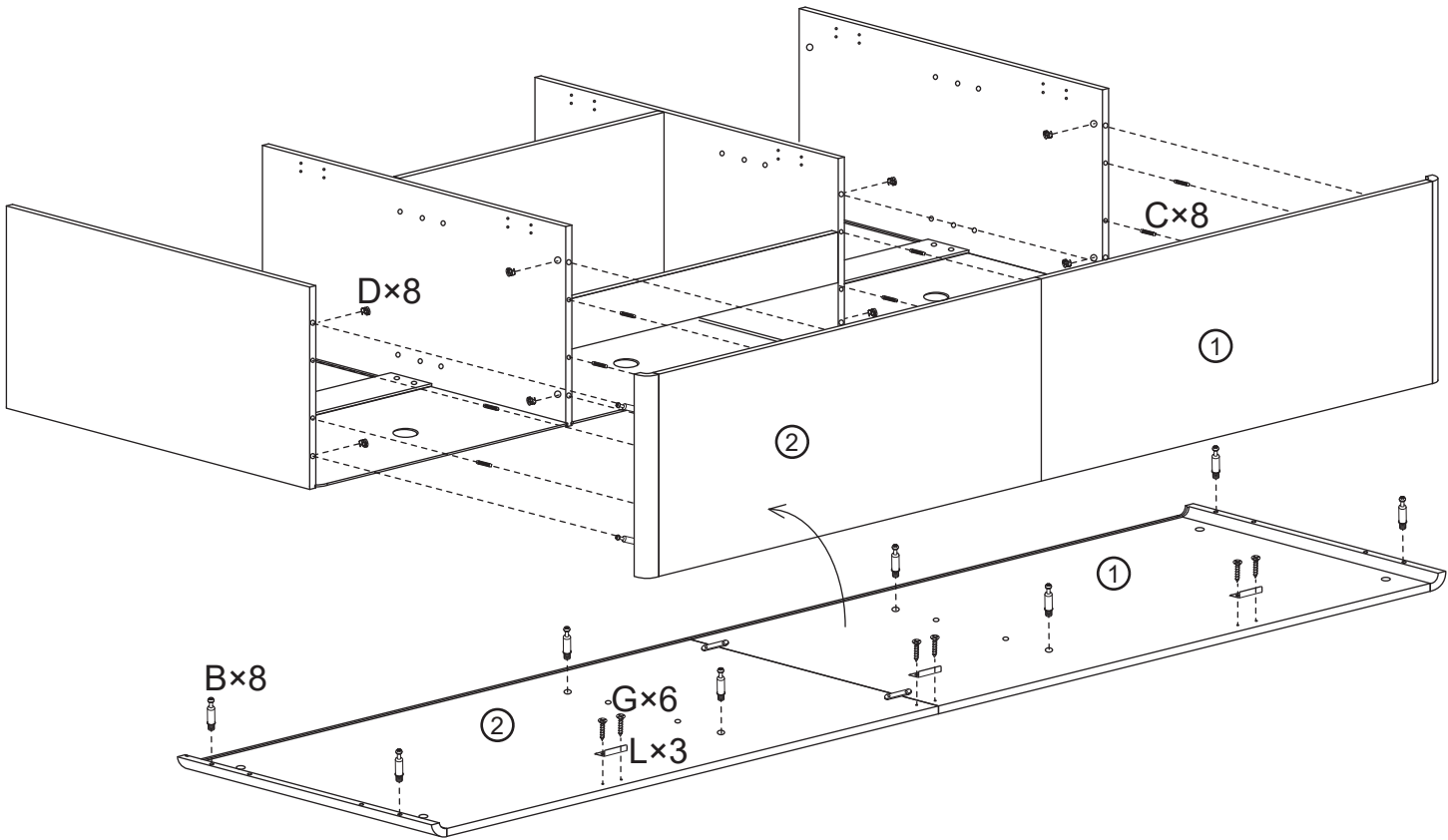


# 8.

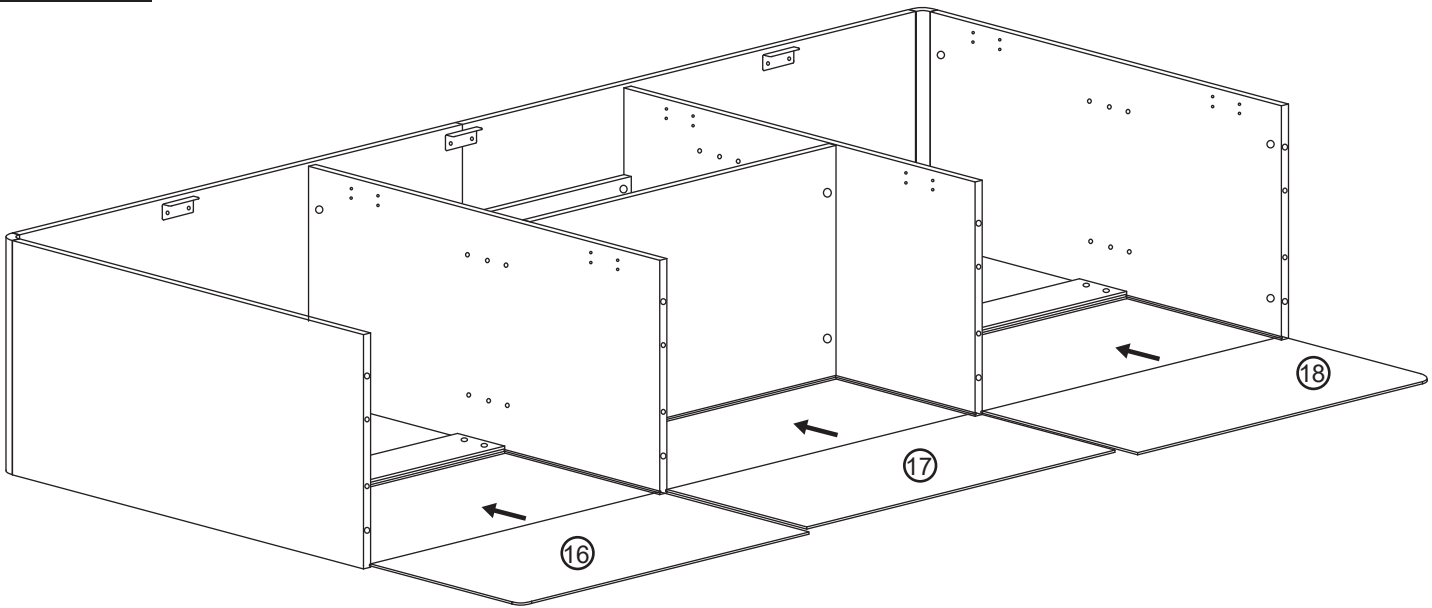


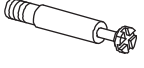


# 9.

B×8PCS	C×8PCS	D×8PCS	G×6PCS	L×3PCS
				
M6 x 35mm	Ø6×30mm	Ø15×9mm	Ø3.5×12mm	

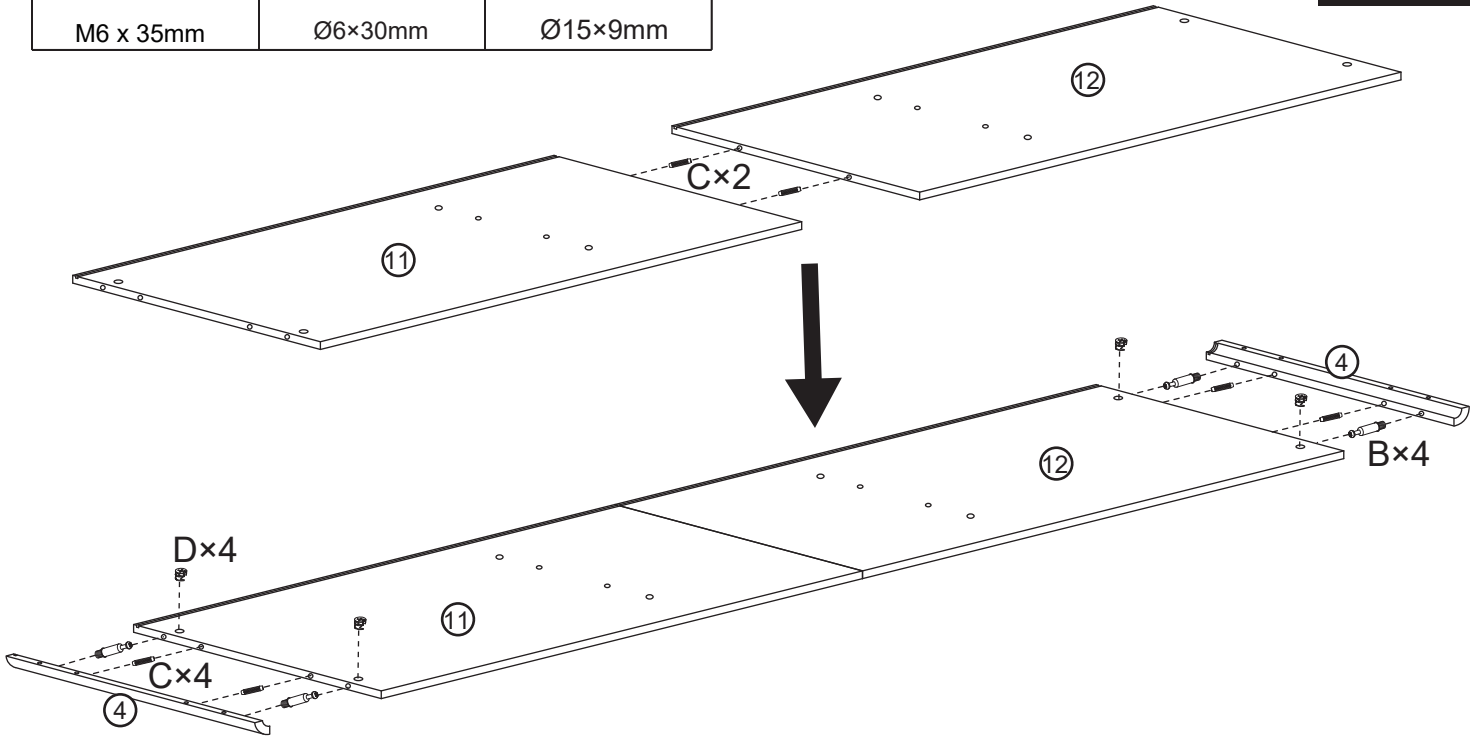


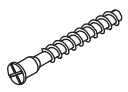
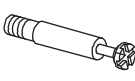


# 10.



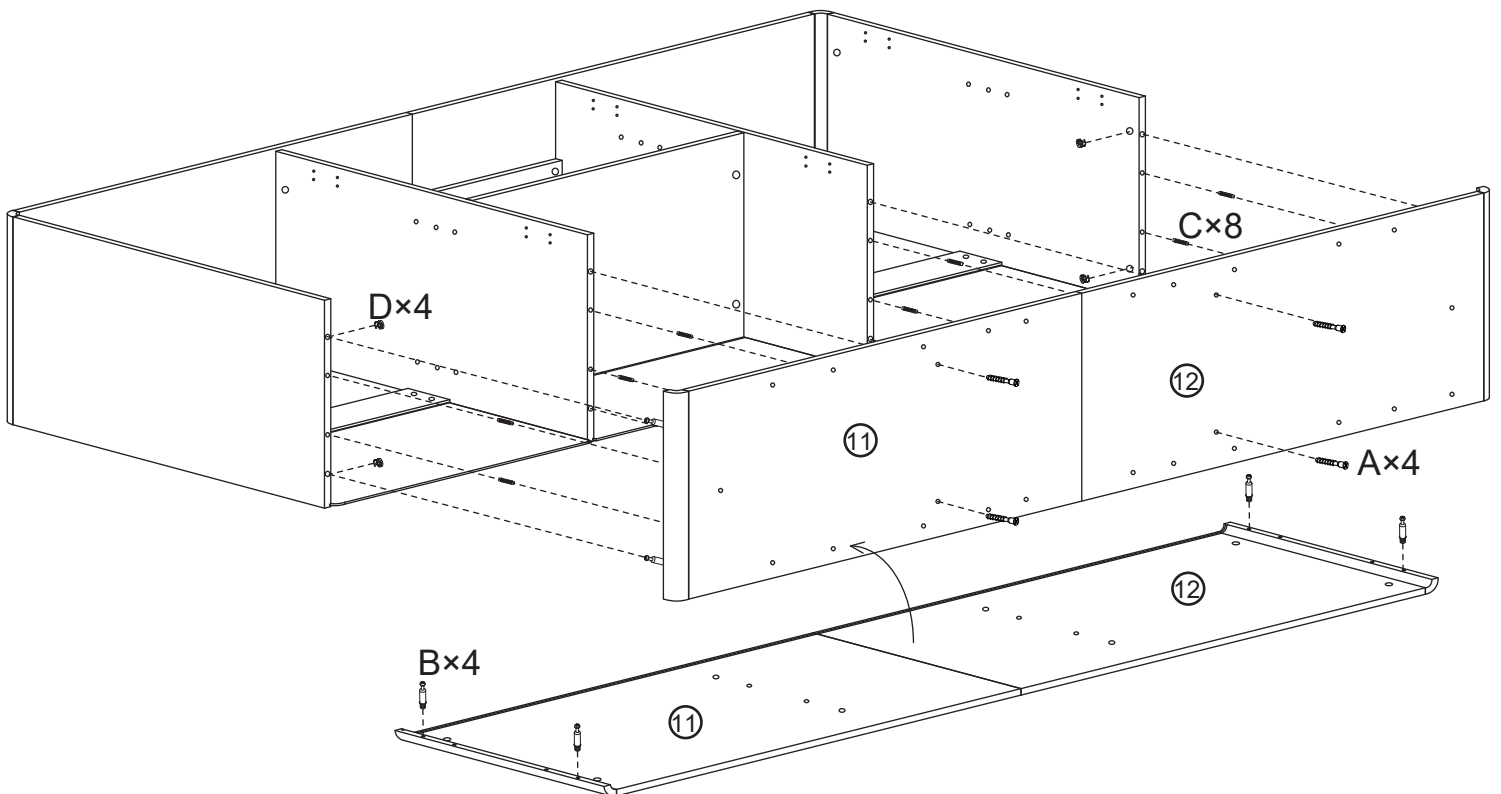
B×4PCS	C×6PCS	D×4PCS
		
M6 x 35mm	Ø6×30mm	Ø15×9mm

11.

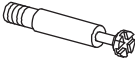






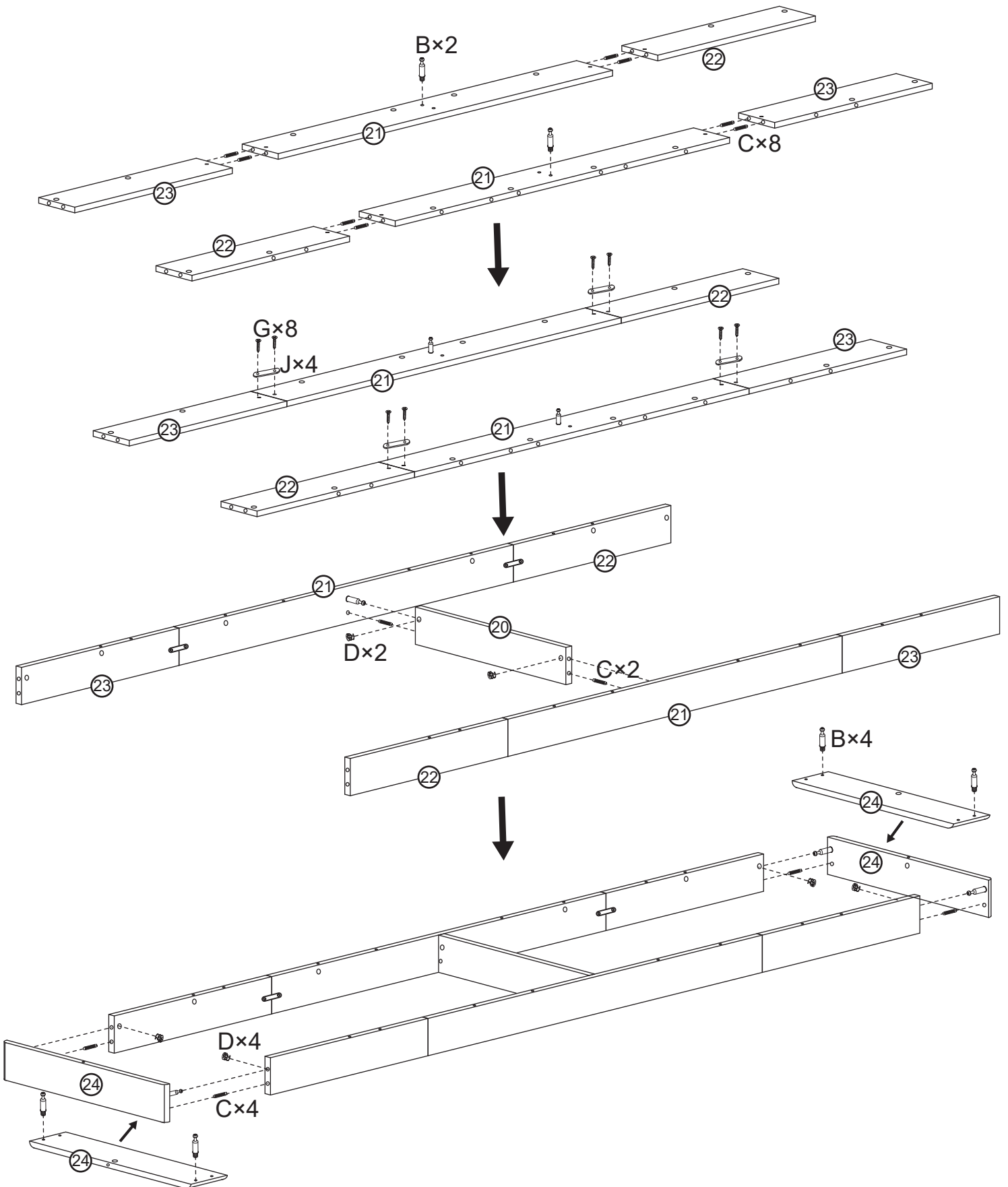
A×4PCS	B×4PCS	C×8PCS	D×4PCS
			
Ø5×40mm	M6 x 35mm	Ø6×30mm	Ø15×9mm

12.

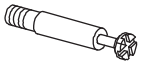


# 13.

B×6PCS	C×14PCS	D×6PCS	G×8PCS	J×4PCS
				
M6 x 35mm	Ø6×30mm	Ø15×9mm	Ø3.5×12mm	

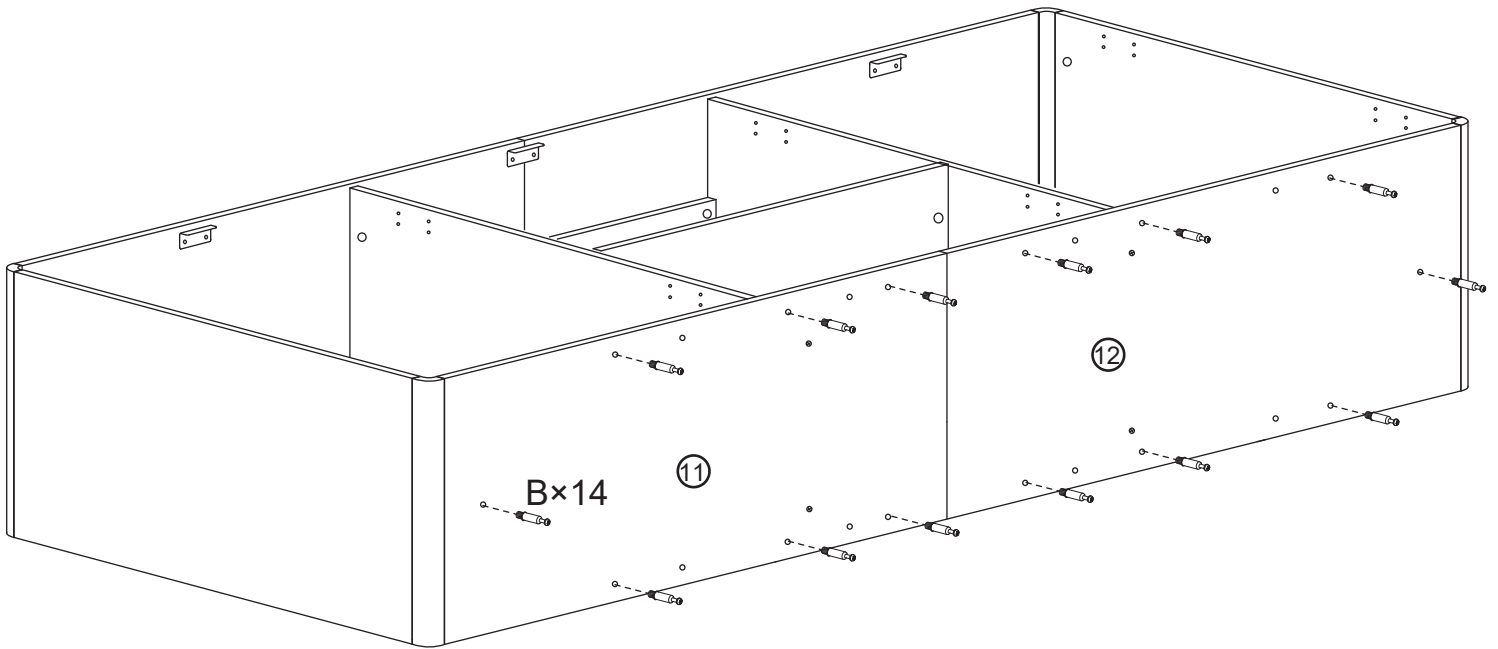


B×14PCS



M6 x 35mm

14.



C×8PCS



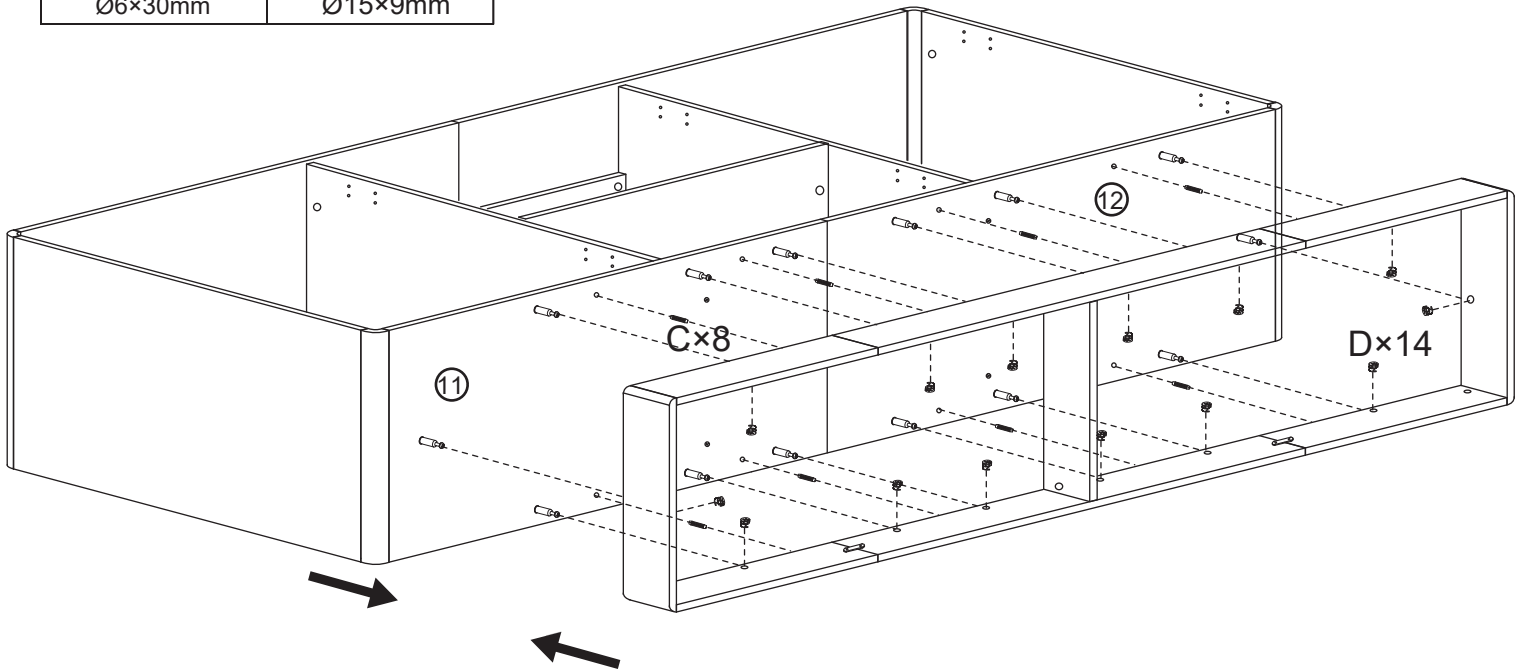
Ø6×30mm

D×14PCS



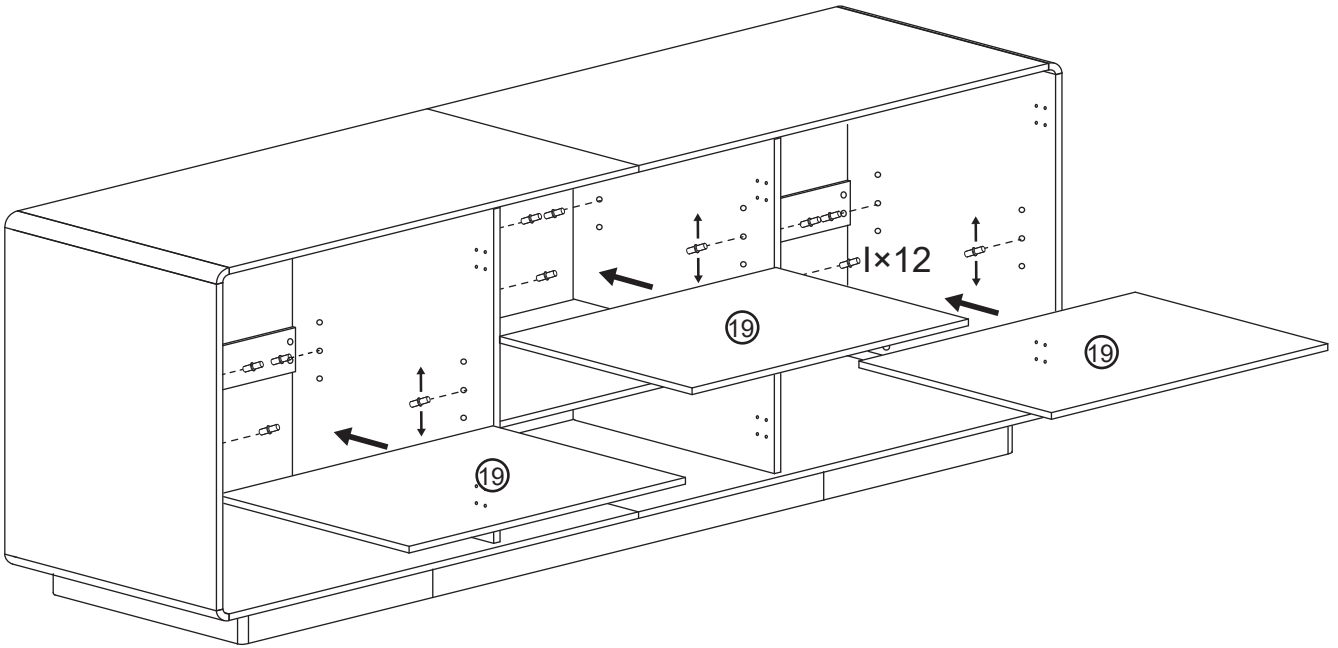
Ø15×9mm

15.



16.

I×12PCS



17.

E×4PCS



G×8PCS



Ø3.5×12mm

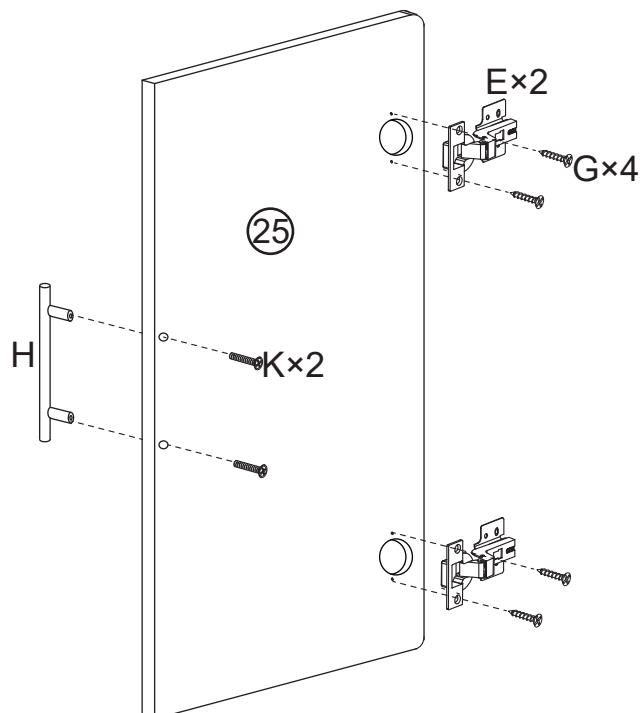
H×2PCS





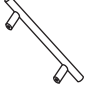

K×4PCS



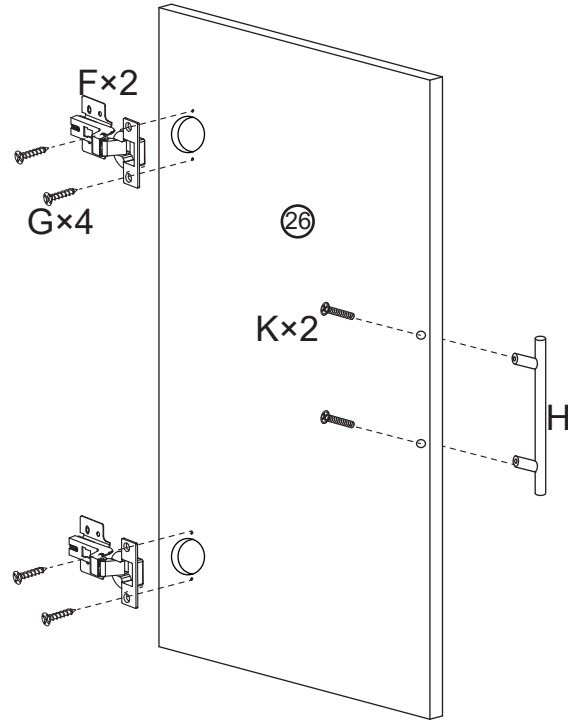
Ø4×15mm




x2

F×8PCS	G×16PCS	H×4PCS	K×8PCS
	 Ø3.5×12mm		 Ø4×15mm

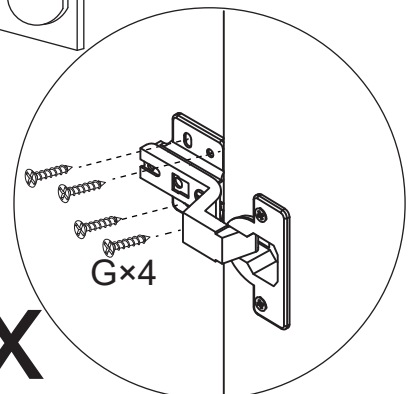
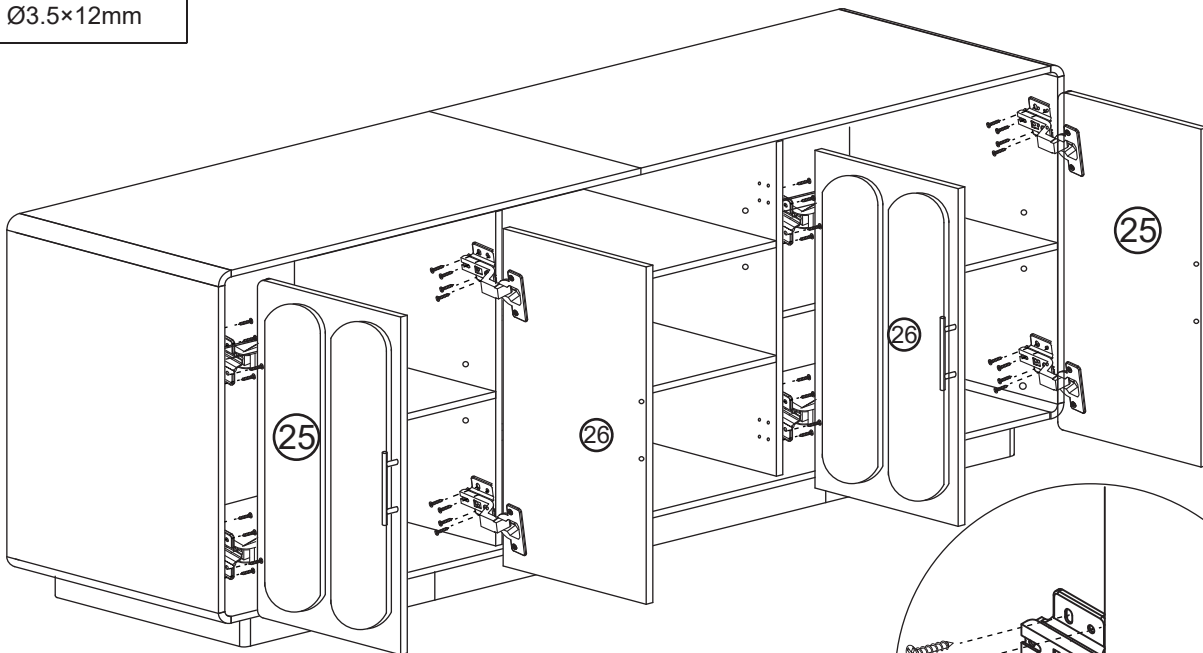
18.



x4

G×32PCS
 Ø3.5×12mm

19.



8x

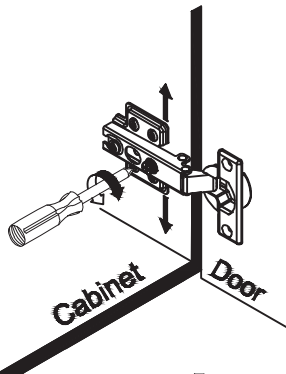
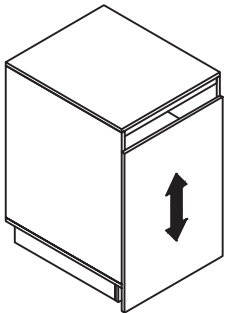
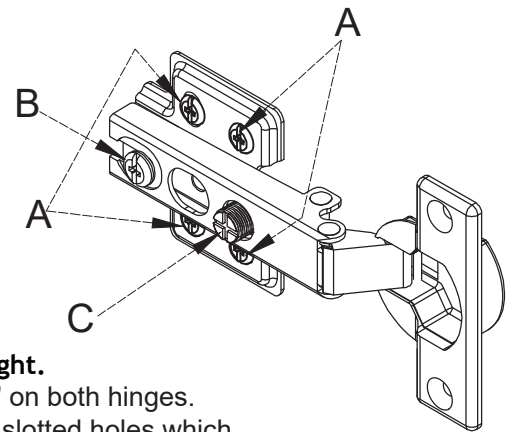
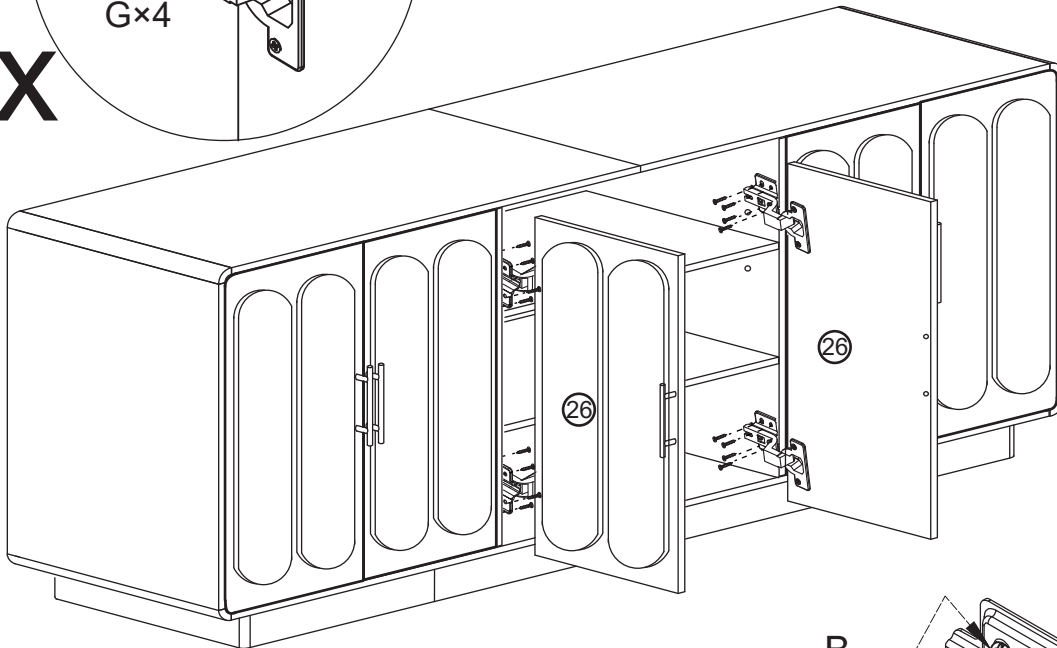
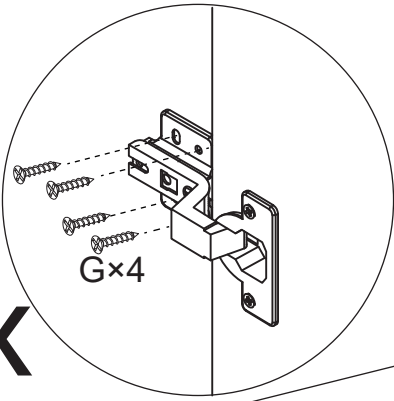
20.

G×16PCS



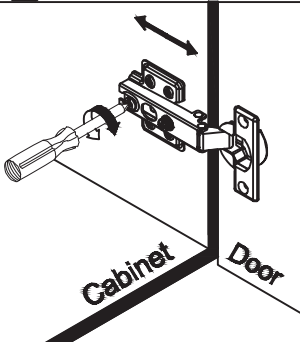
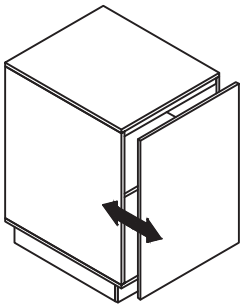
Ø3.5×12mm

4x



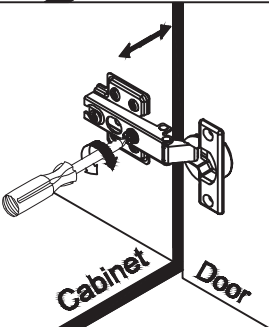
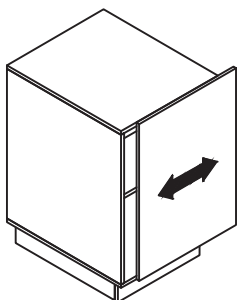
**To adjust the vertical height.**

Loosen the four screws "A" on both hinges. Two of them are usually in slotted holes which allows you to adjust up or down by a few mm. Then tighten back up.



**To adjust depth.**

Loosen screw "B" and adjust door, if the door cannot be adjusted, please loosen screw "C", then try again. Tighten screw "B" and "C"



**To adjust side ways.**

Turning the screw "C" on BOTH hinges on each door.

