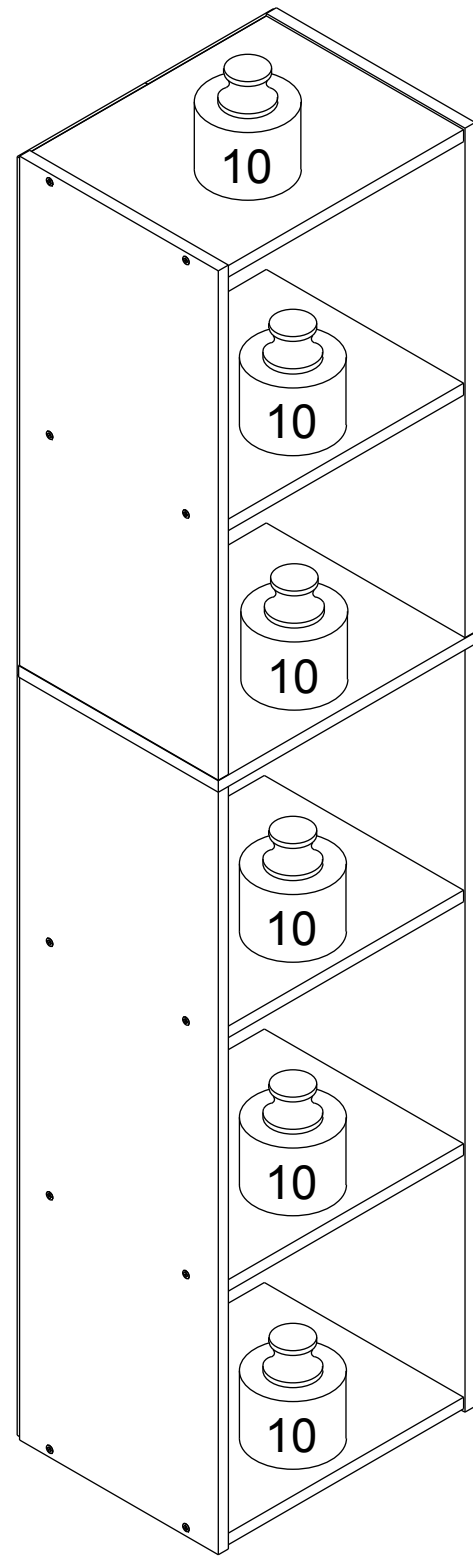


Recommended Maximum Weight



*Unit in Pound(lbs.)

WARNING:

>This unit has been designed to support the maximum loads shown. Exceeding these load limits could cause sagging, instability, product collapse, and/or serious injury.

>DO NOT allow children to climb on unit.

> Put heavier items on lower shelves.

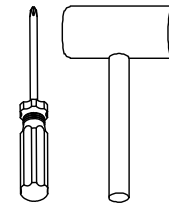
Assembly Instruction

00:25

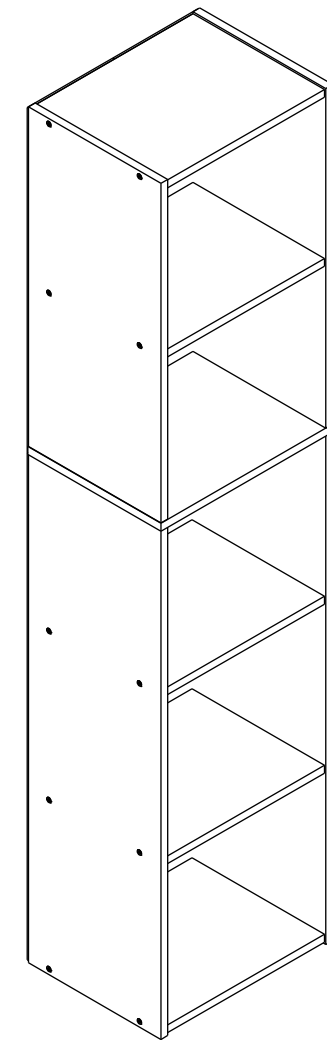
Approx. 25 minutes








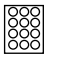
Recomm. 1 Person



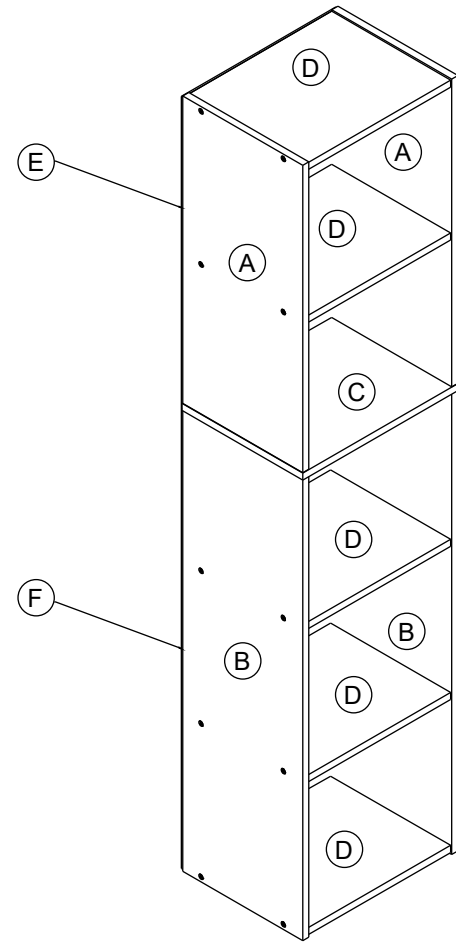
Tools Required



HARDWARE & PARTS LIST

NO	HARDWARE LIST	QTY
1	CHIPBOARD SCREW 	24pcs
2	POWER PIN 	36pcs
3	DOWEL 	2pcs
4	MINIFIX  (4a)  (4b)	4Sets
5	STICKER 	20pcs

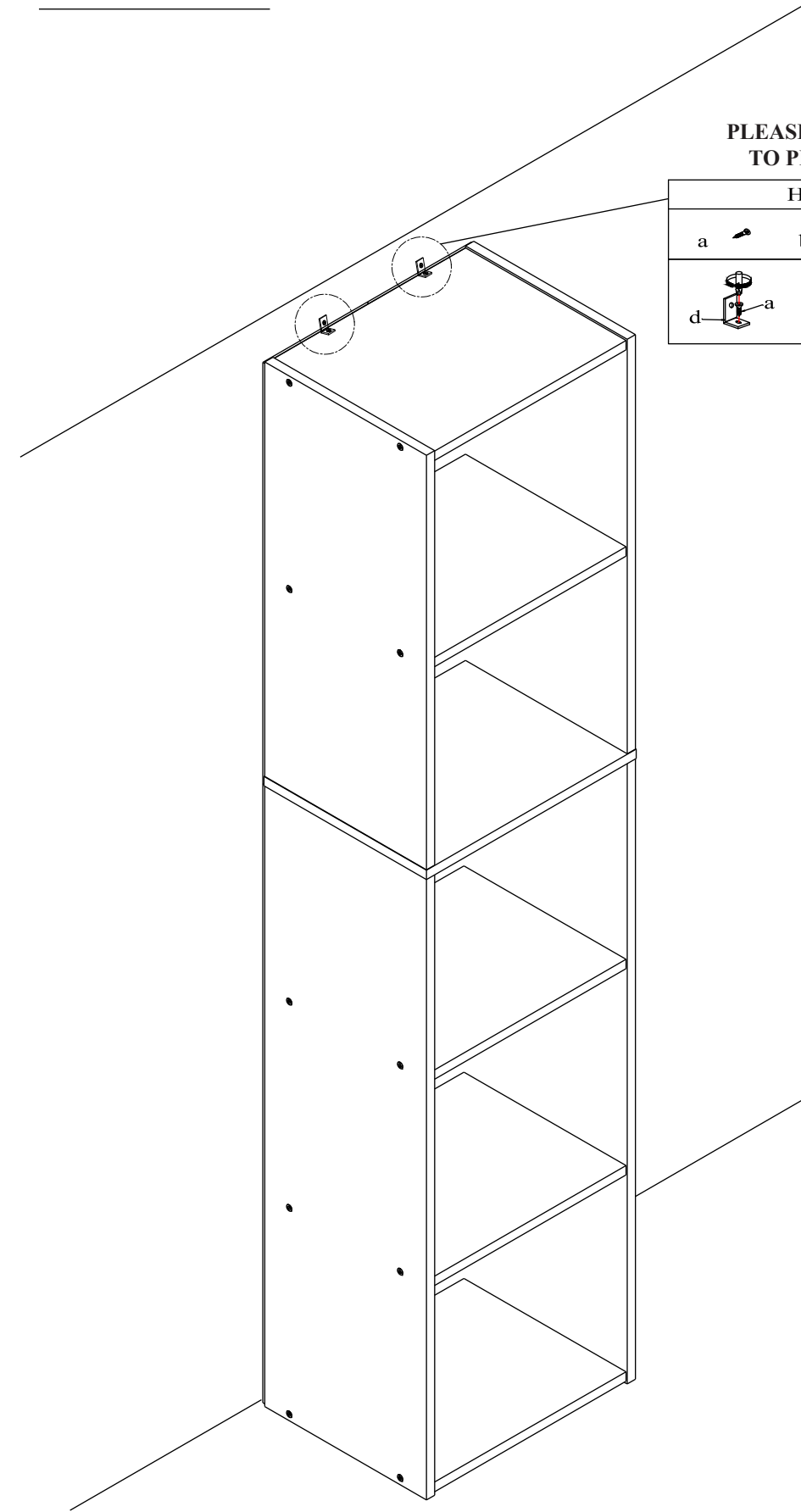
NO	PARTS LIST	QTY
A	UPPER SIDE PANEL	2pcs
B	LOWER SIDE PANEL	2pcs
C	CENTER PANEL	1pc
D	SHELF PANEL	5pcs
E	UPPER BACK PANEL	1pc
F	LOWER BACK PANEL	1pc



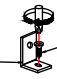
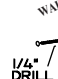


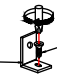


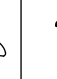
USEFUL HINTS BEFORE YOU START:

1. Read each step carefully before starting.
2. It is important that each step is performed in correct order to avoid difficulties.
3. Identify, sort and count the parts before assembly.
4. Assemble your furniture on packaging cardboard to prevent scratch or damage.
5. Clean the product with mild cleanser using soft dampened cloth. Do not use harsh or abrasive cleanser.
6. Using incompatible hardware might cause damage to product.

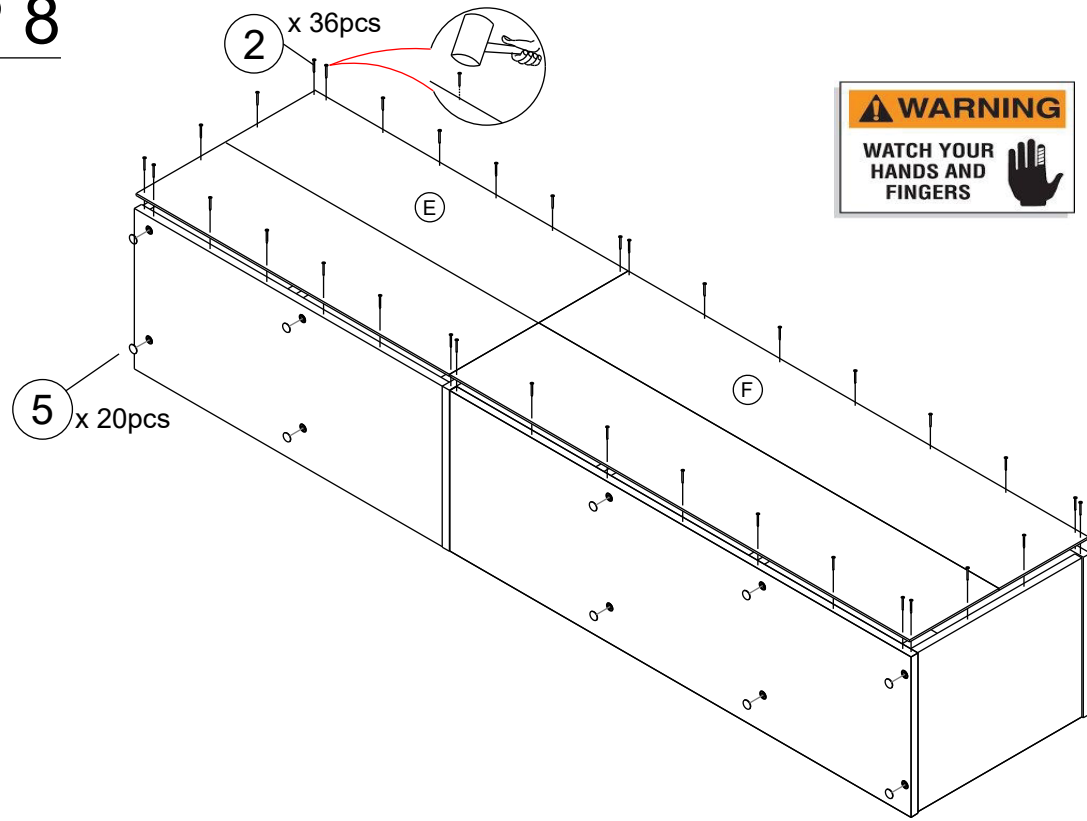
STEP 10



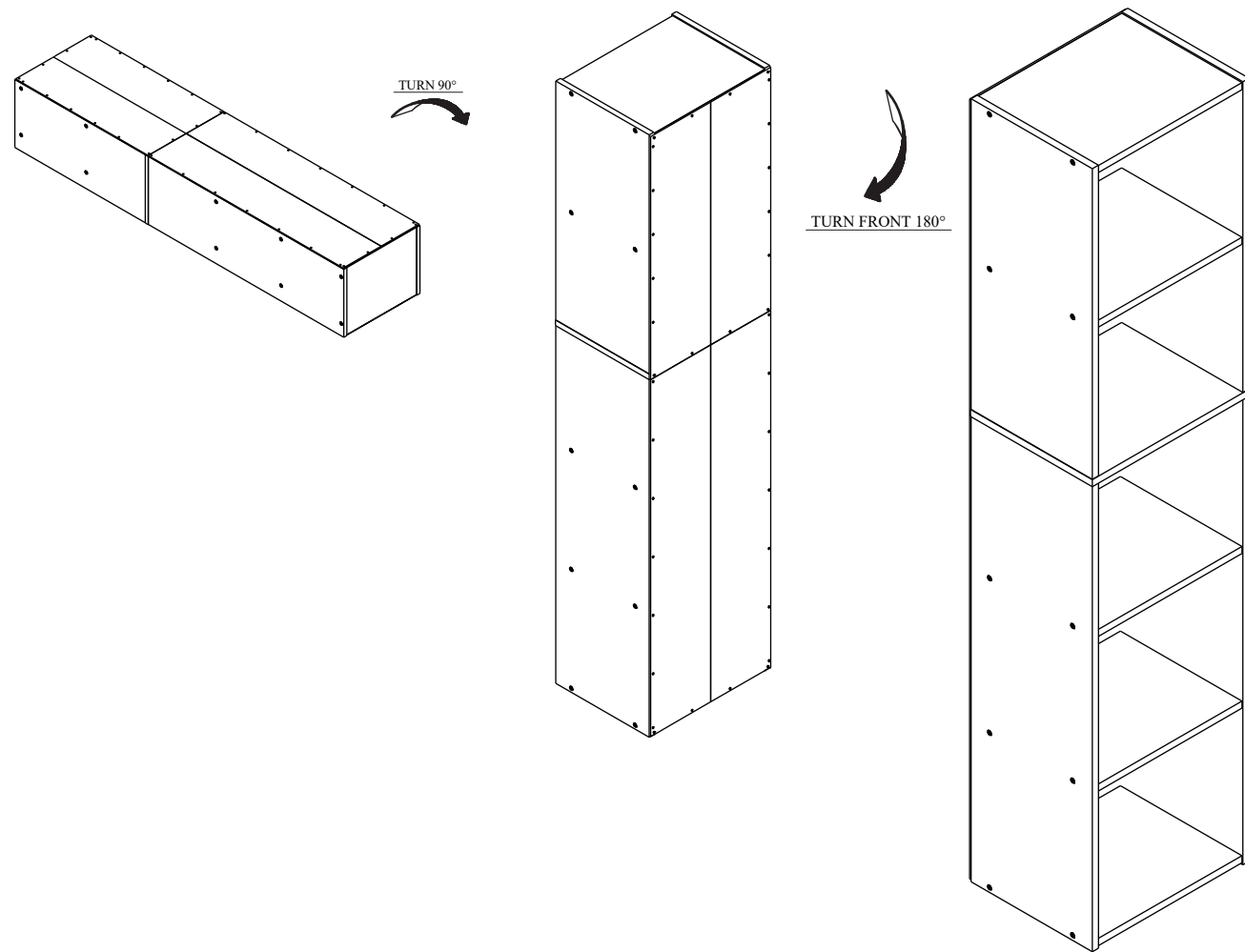
PLEASE FOLLOW BELOW INSTRUCTION TO PREVENT PRODUCT TIP-OVER.

HARDWARE LIST				QTY
a	b	c	d	2 SETS
				
				

STEP 8



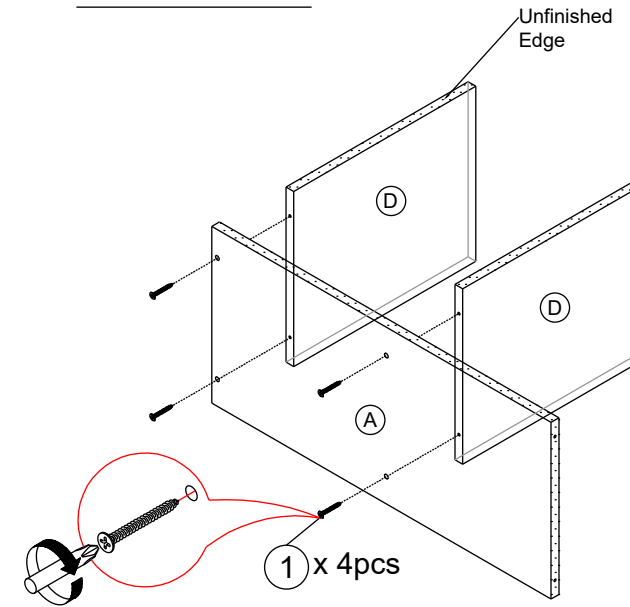
STEP 9



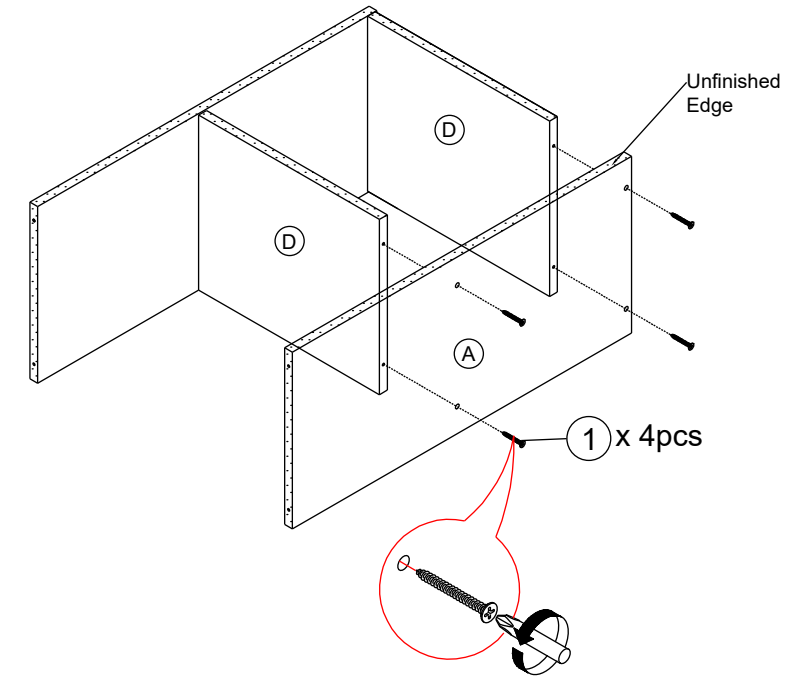
ASSEMBLY INSTRUCTIONS

BEFORE YOU BEGIN, PLEASE READ ASSEMBLY INSTRUCTIONS CAREFULLY, FOLLOW THEM STEP BY STEP.

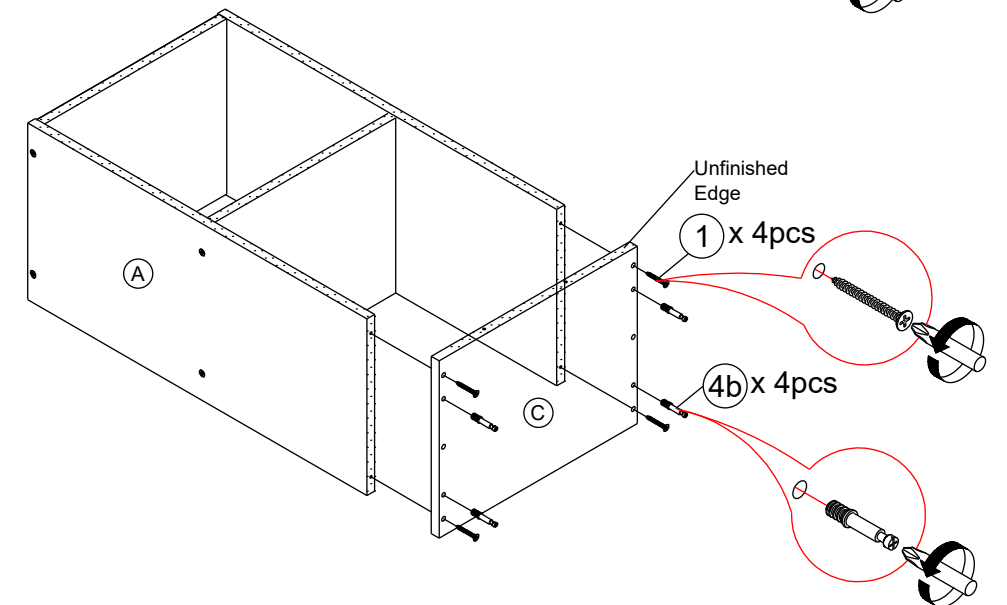
STEP 1



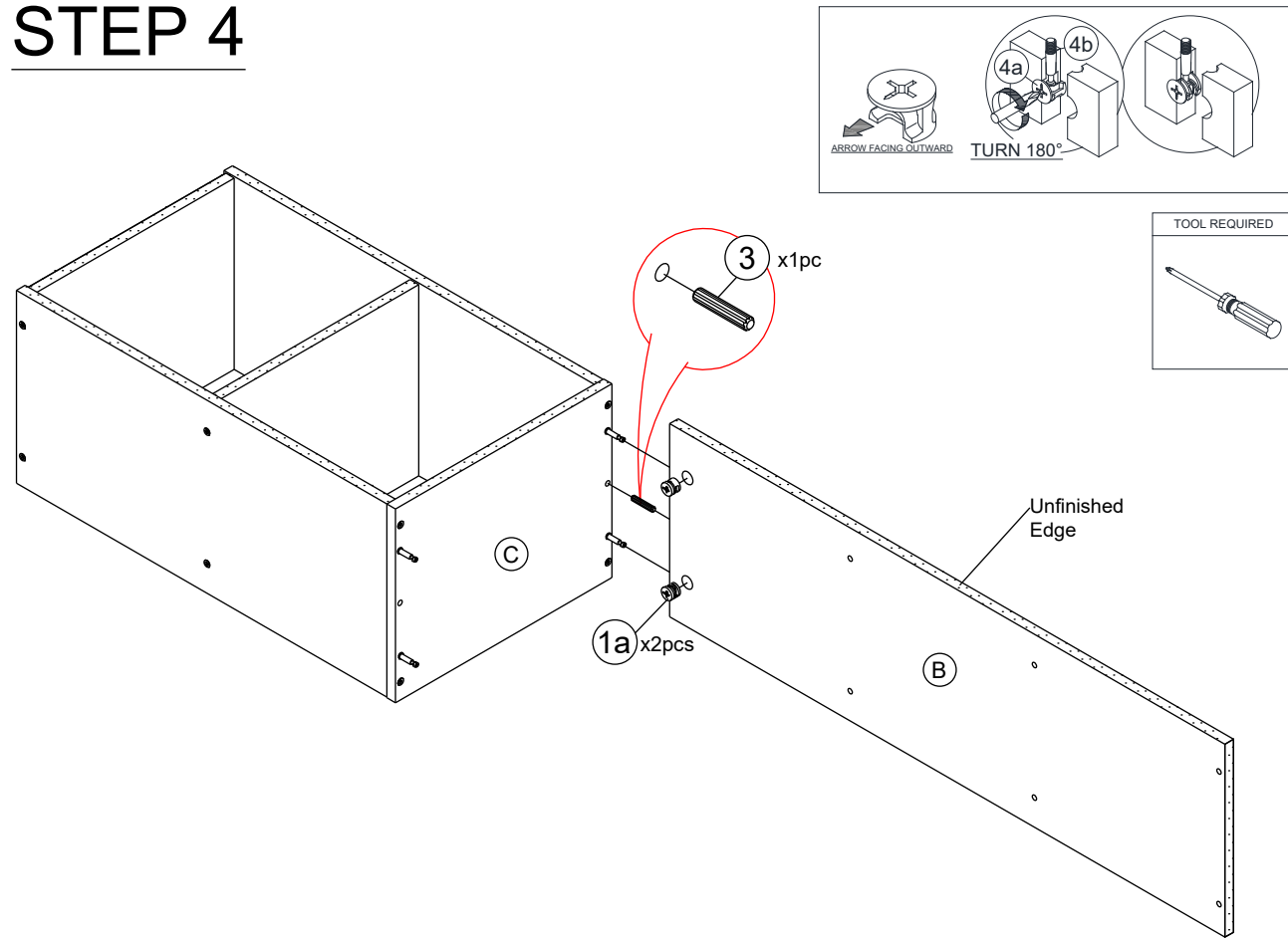
STEP 2



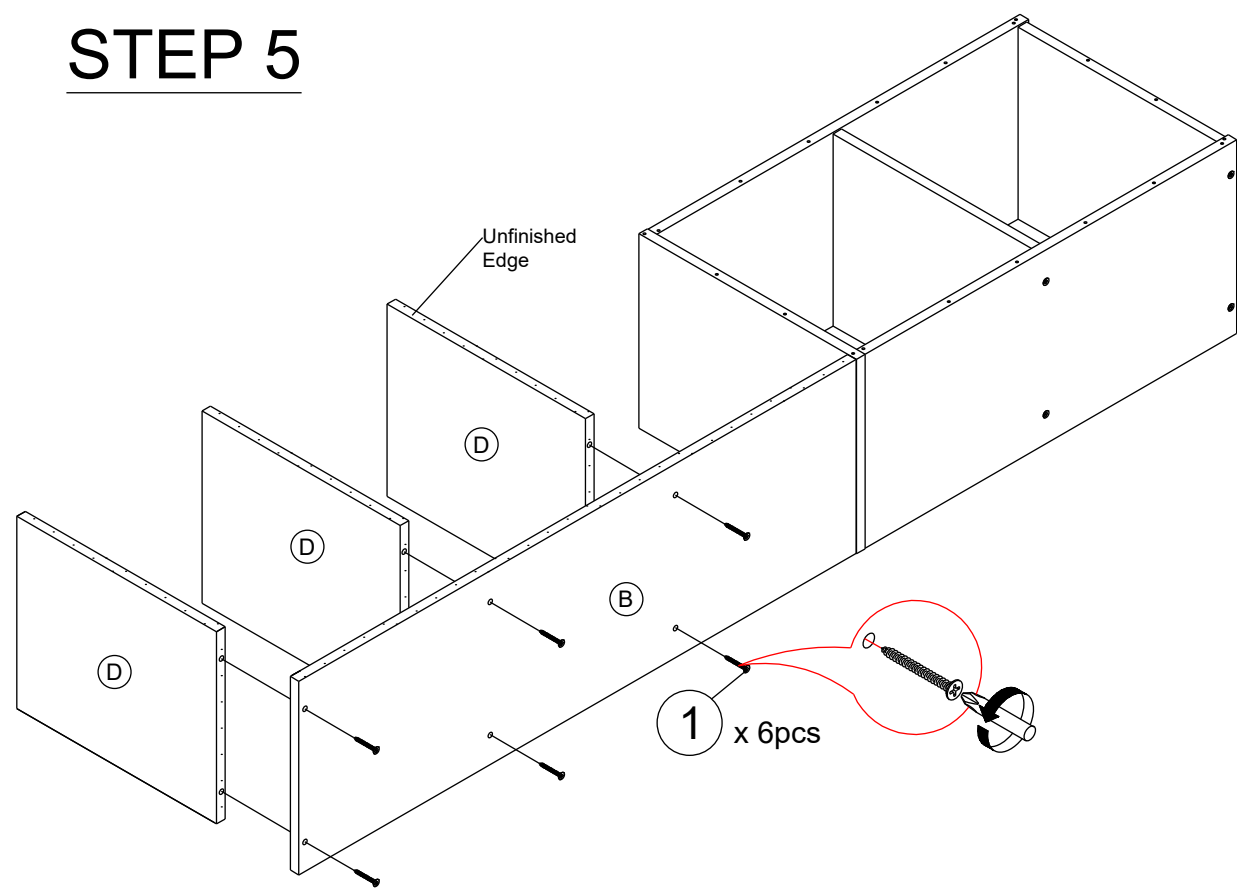
STEP 3



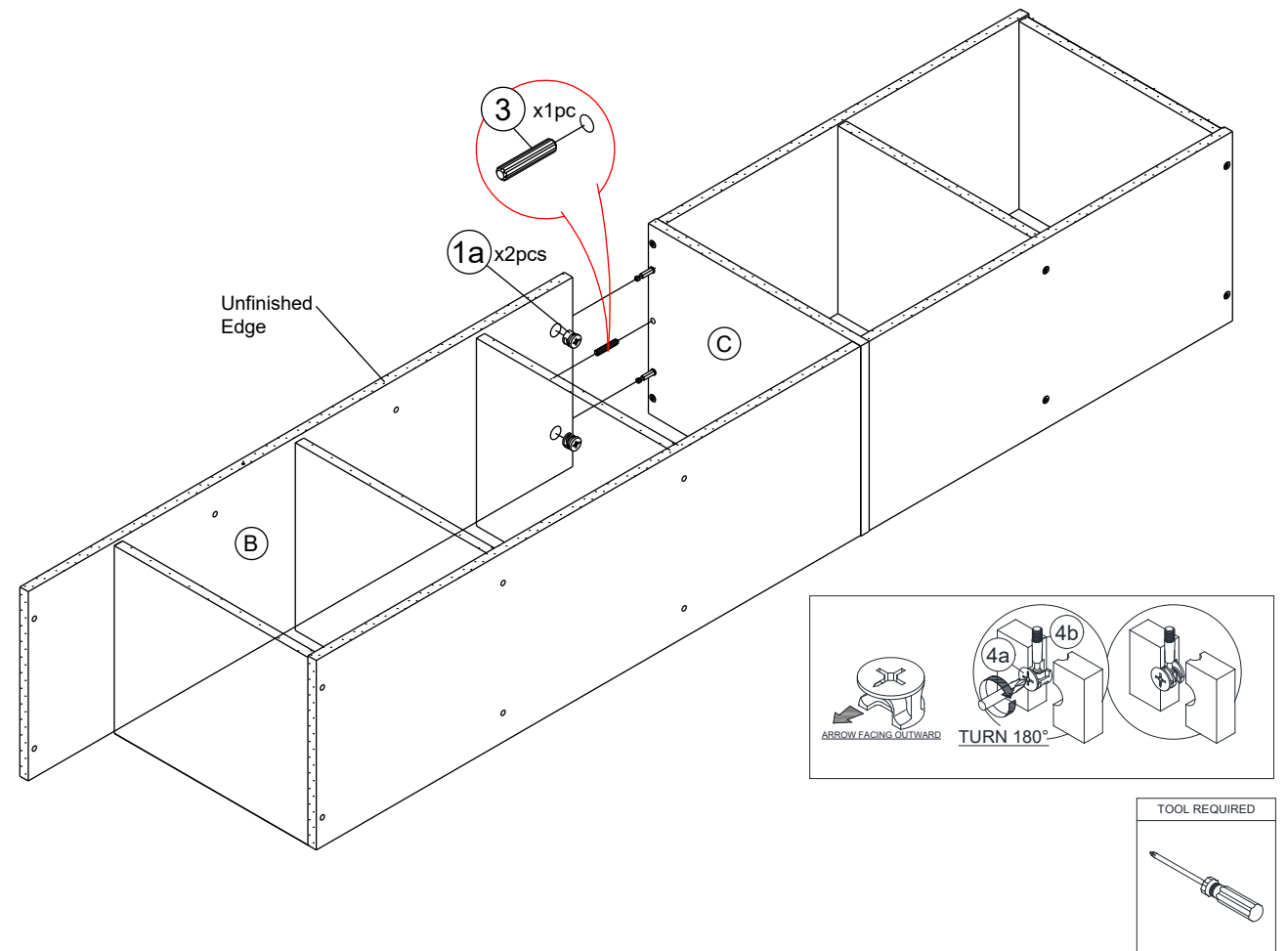
STEP 4



STEP 5



STEP 6



STEP 7

