

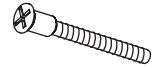
A | 65pcs



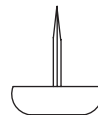
B | 26pcs



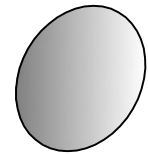
C | 4pcs



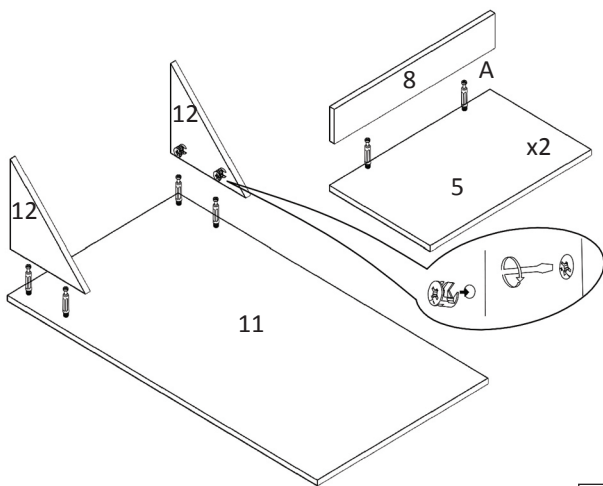
D | 6pcs



E | 18pcs

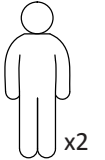
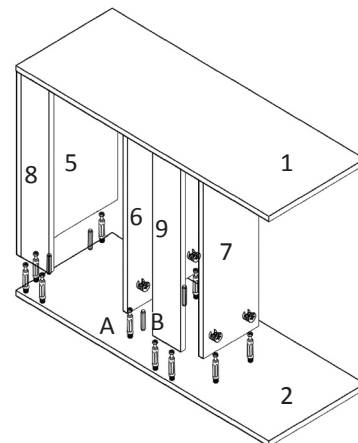


1



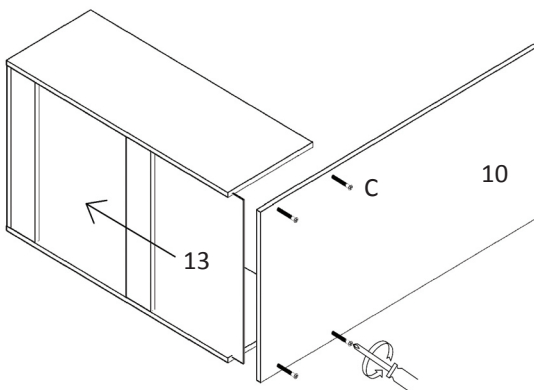
A | 8pcs

2



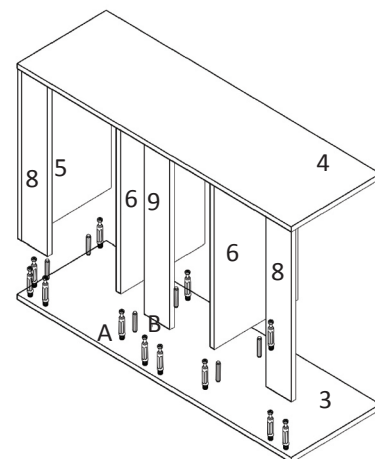
A | 20pcs
B | 8pcs

3



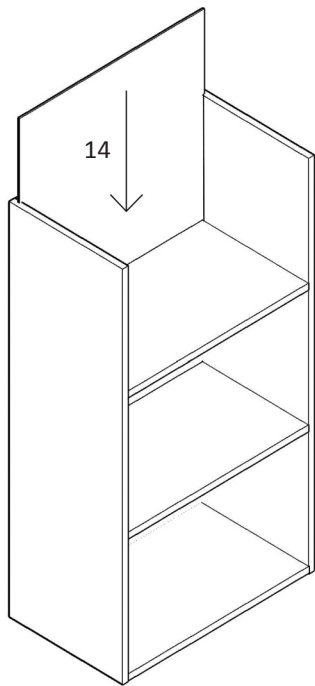
C | 4pcs

4

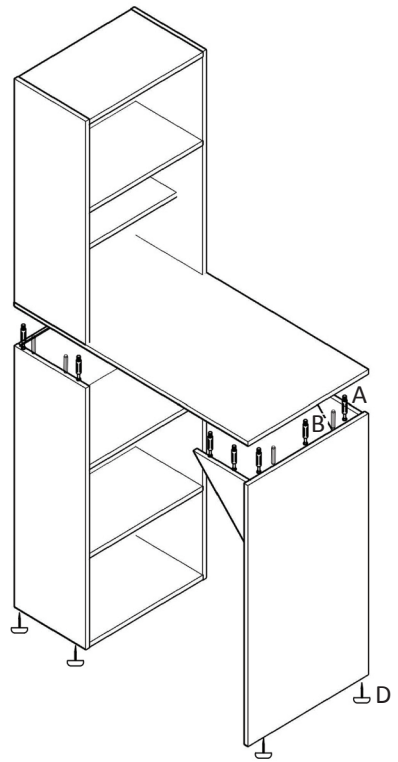


A | 24pcs
B | 12pcs

5



6



- A | 13 pcs
- B | 6 pcs
- D | 6 pcs
- E | 18 pcs

7

