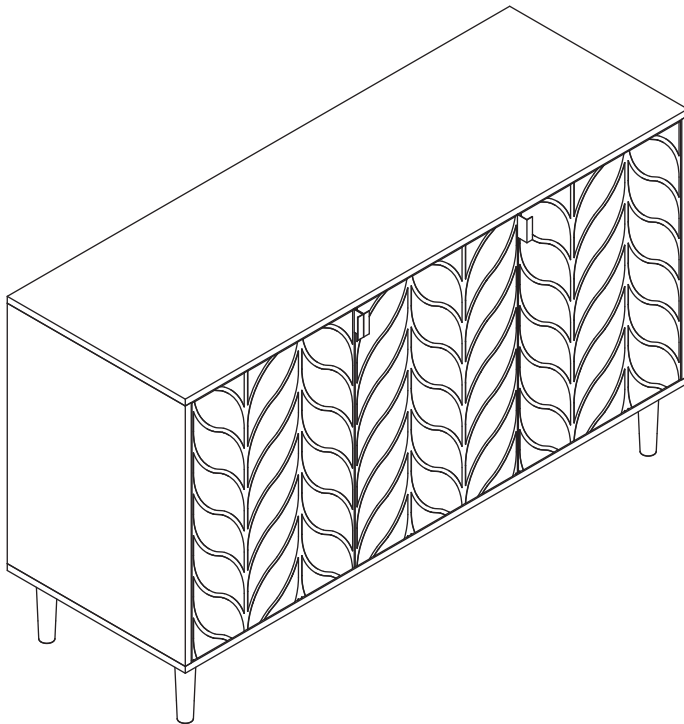


GLORIA SIDEBOARD

SB-GLORIA-WH/GRY/TL-01

—Instruction manual

www.laura-james.co.uk



CONTENTS

Safety and care advice	1
Components – panels	2
Components – fittings	3
Assembly instructions	4
Copyright	11
Door alignment	12



SAFETY AND CARE ADVICE



PLEASE READ THESE INSTRUCTIONS CAREFULLY AND KEEP FOR FUTURE REFERENCE

Warning: Please lift with care.

- Check you have all the components and tools listed on pages 2 and 3.
- Remove all fittings from the plastic bags and separate them into their groups.
- Keep children and animals away from the work area, small parts could choke if swallowed.
- Make sure you have enough space to layout the parts before starting.
- Do not stand or put weight on the product, this could cause damage.
- Assemble the item as close to its final position (in the same room) as possible.
- Assemble on a soft level surface to avoid damaging the unit or your floor (use opened out unit carton).



·We do not recommend the use of power drill/drivers **for inserting screws**, as this could damage the unit. Only use hand screwdrivers.

·**Safety note:** If there is any chance of this unit being pulled over by children etc. it is recommended that the unit is secured to a wall using suitable fixings.

·Dispose of all packaging carefully and responsibly.

CARE AND MAINTENANCE

- Only clean using a damp cloth and mild detergent, do not use bleach or abrasive cleaners.
- From time to time check that there are no loose screws on this unit.

·This product should not be discarded with household waste. Take to your local authority waste disposal center.

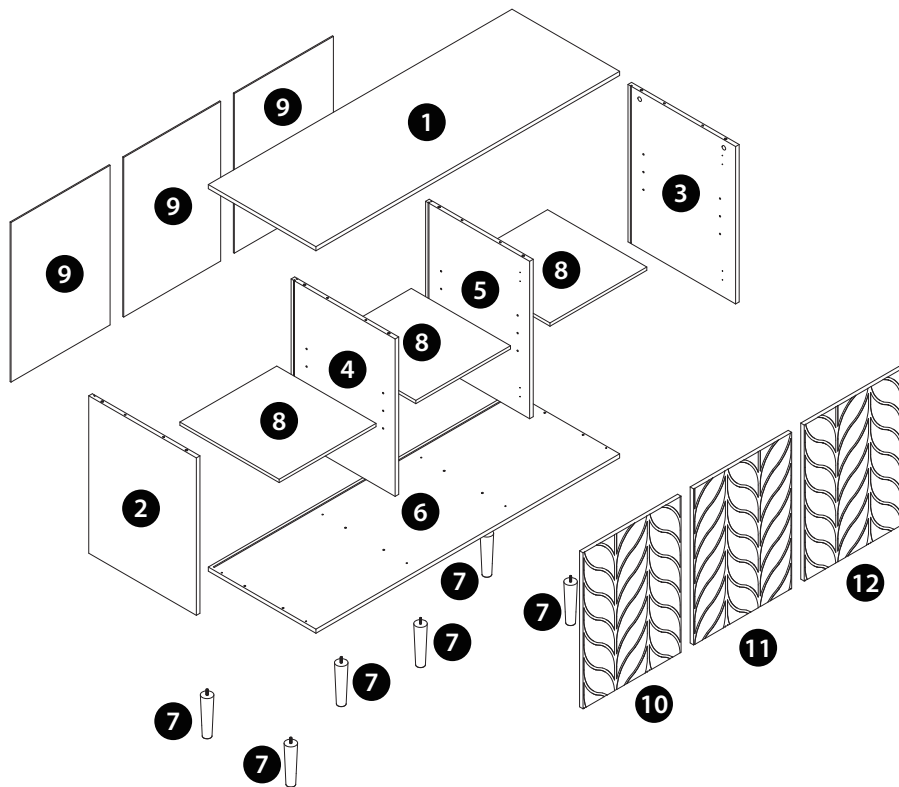
Note: *If required the next page can be cut out and used as reference throughout the assembly. Keep this page with these instructions for future reference*

COMPONENTS — PANELS

Please check you have all the panels listed below:



**2 PERSON
ASSEMBLY
RECOMMENDED**



PANEL LIST

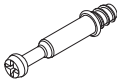
PACK 1/1			
1	Top Panel	x1	
2	Left Side Panel	x1	
3	Right Side Panel	x1	
4	Vertical Panel - 1	x1	
5	Vertical Panel - 2	x1	
6	Bottom Panel	x1	
7	Leg	x6	
8	Active Panel	x3	
9	Back Panel	x3	
10	Door - 1	x1	
11	Door - 2	x1	
12	Door - 3	x1	



COMPONENTS — FITTINGS

Please check you have all the fittings listed below:

A



Metal Dowel x 8

B



Lock (Ø15x12mm) x 8

C



Screw(Ø4x40mm) x 8

D



Wooden Dowel(Ø8x30mm) x 16

F



Handle x 3

G



Screw(Ø4x14mm) x 24

H



Metal Slide - Female Right x 12

I



Screw(Ø3x14mm) x 12

J



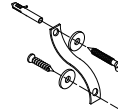
Back Support x 12

K



Big Bend Hinge x 4

L



Safety Device x 2

M



Middle Bend Hinge x 2

N



Screw(Ø3x12mm) x 6

O



Bumper x 2

TOOLS NEEDED

(We don't provide)

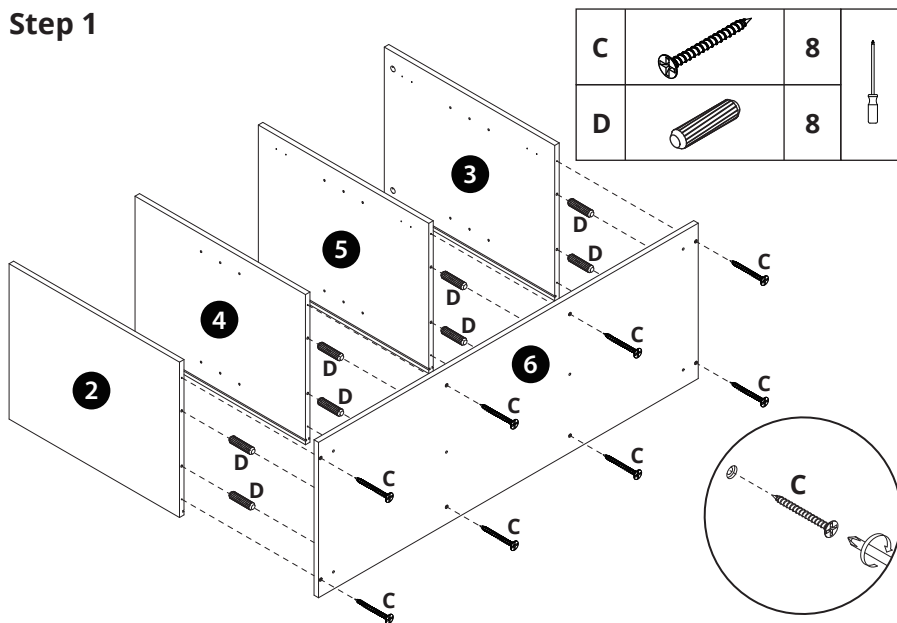


Phillips Screwdriver x 1

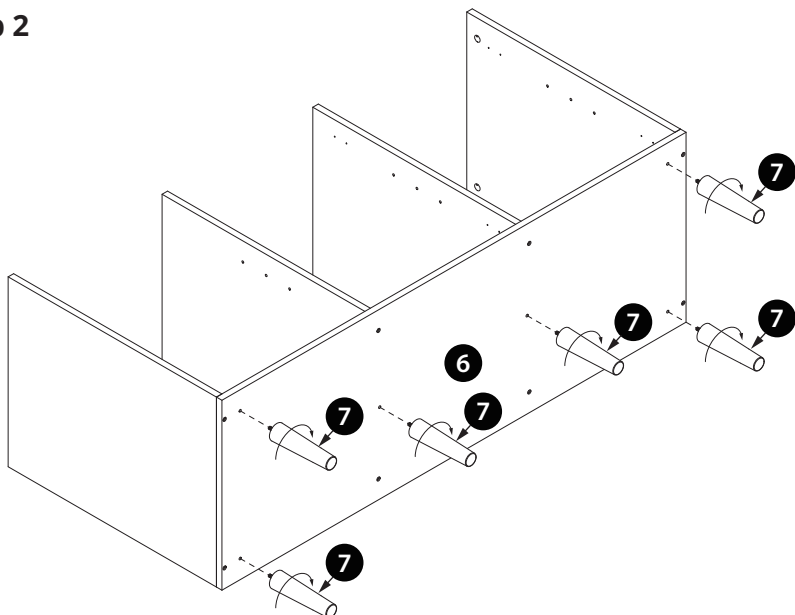


ASSEMBLY INSTRUCTIONS

Step 1

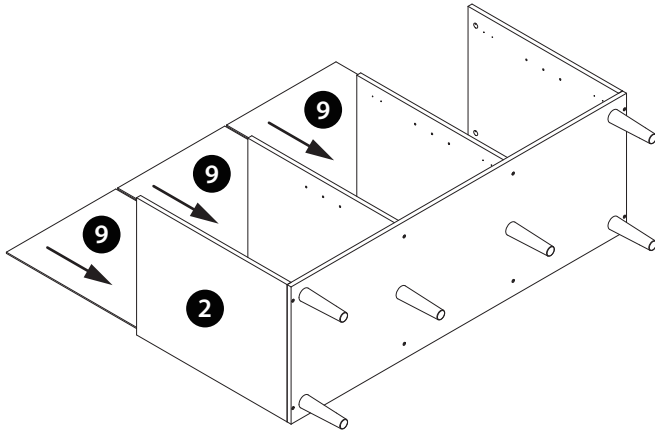


Step 2

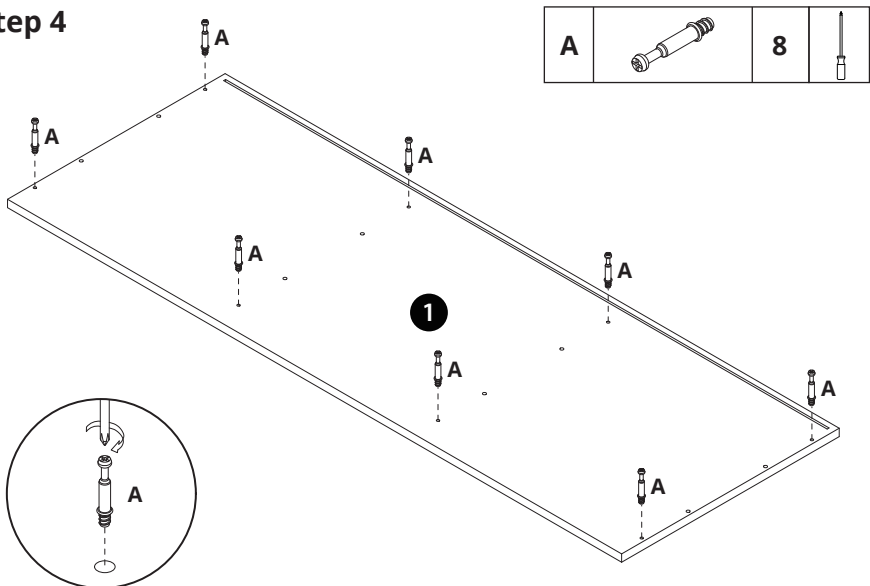


ASSEMBLY INSTRUCTIONS

Step 3







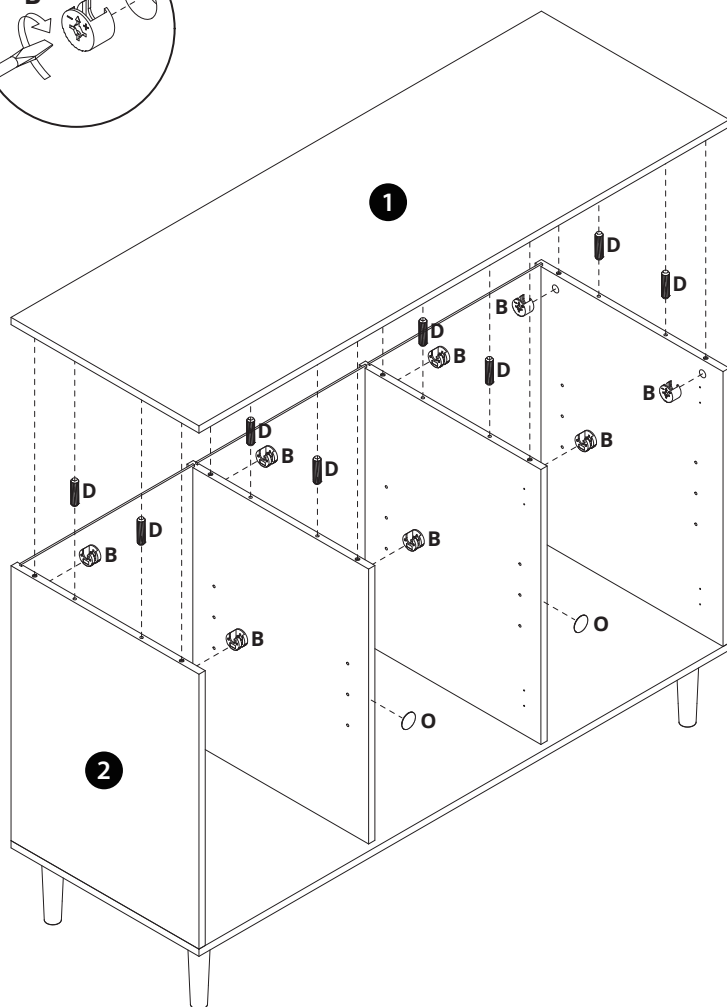
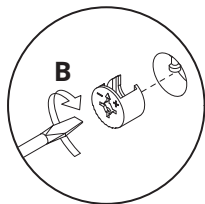
Step 4



ASSEMBLY INSTRUCTIONS

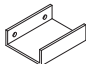





Step 5

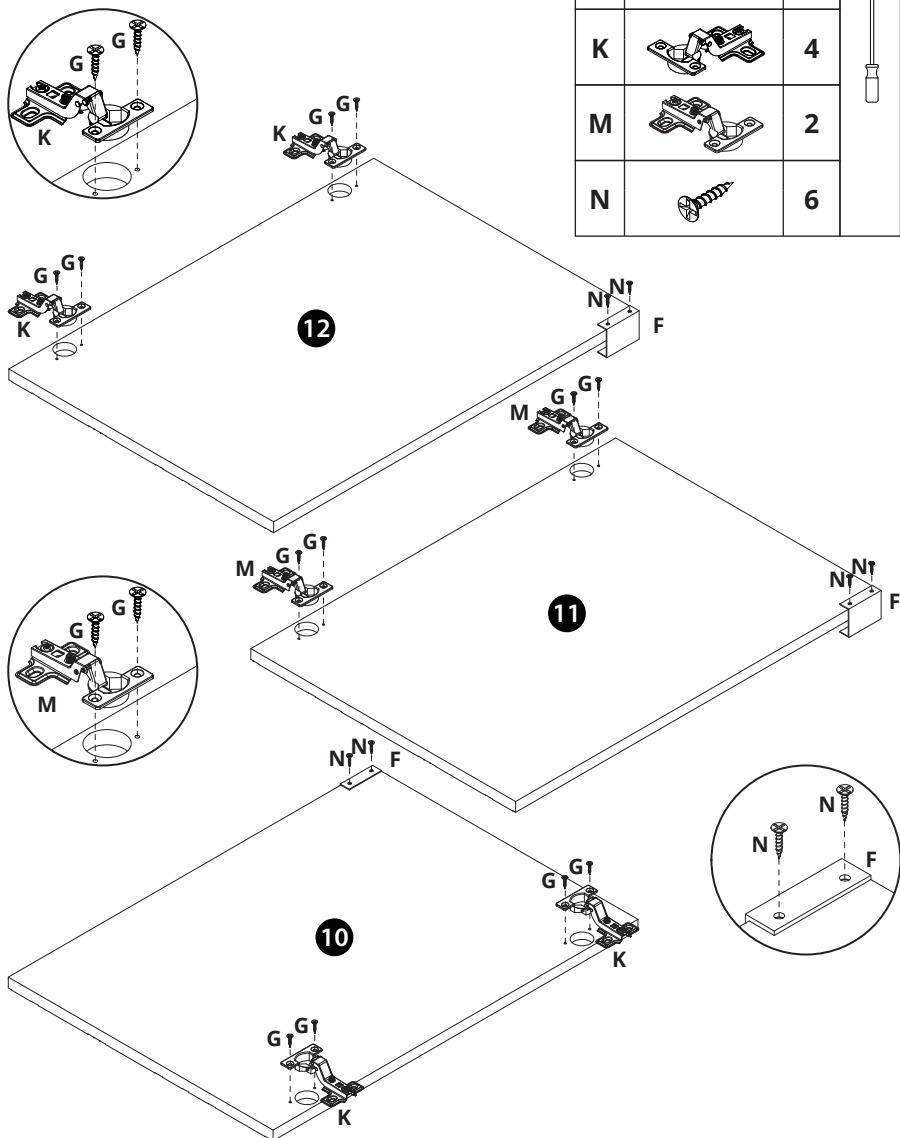
B		8	
D		8	
O		2	



ASSEMBLY INSTRUCTIONS

Step 6

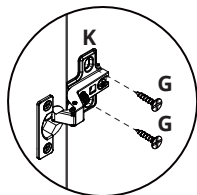
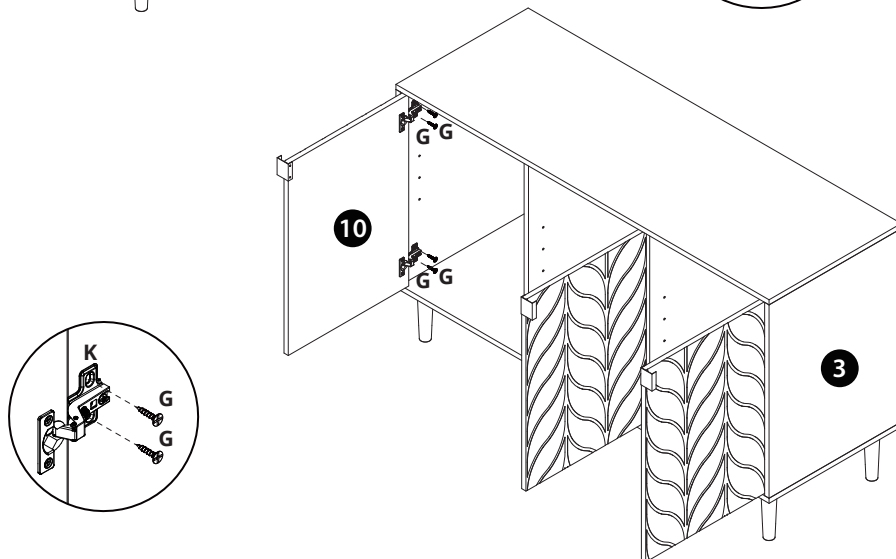
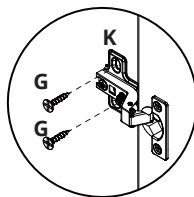
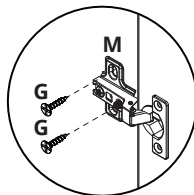
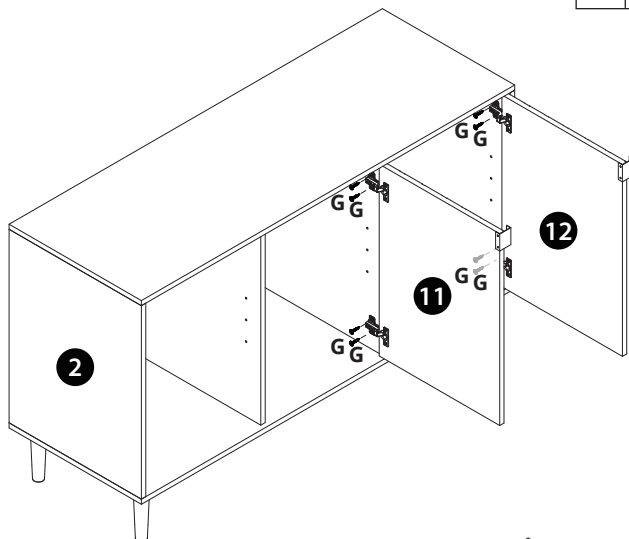
F		3	
G		12	
K		4	
M		2	
N		6	



ASSEMBLY INSTRUCTIONS

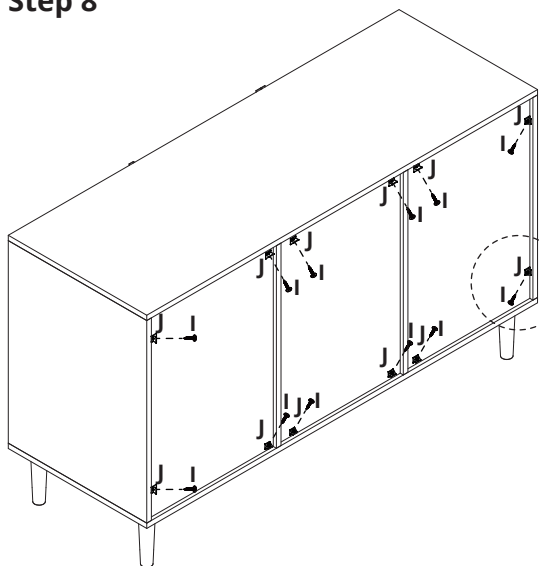
Step 7




G		12	
---	---	----	--



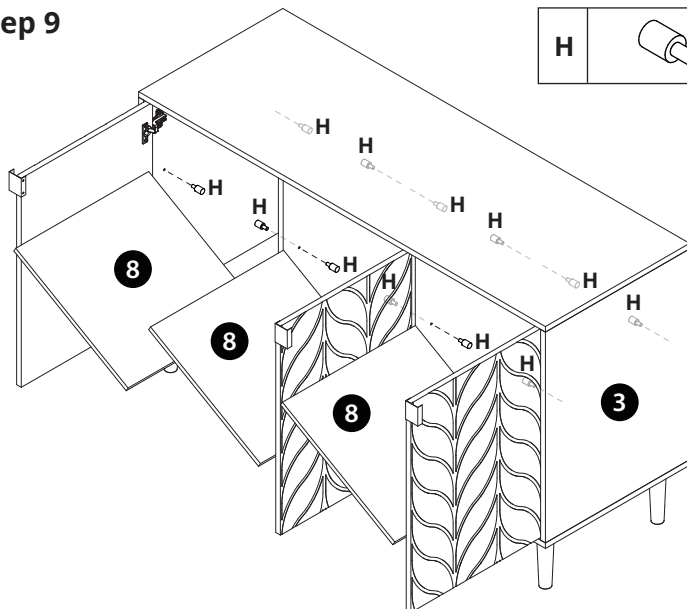
ASSEMBLY INSTRUCTIONS


Step 8



I		12	
J		12	

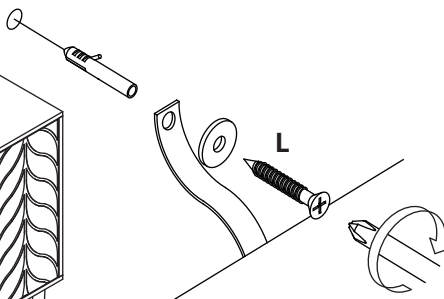
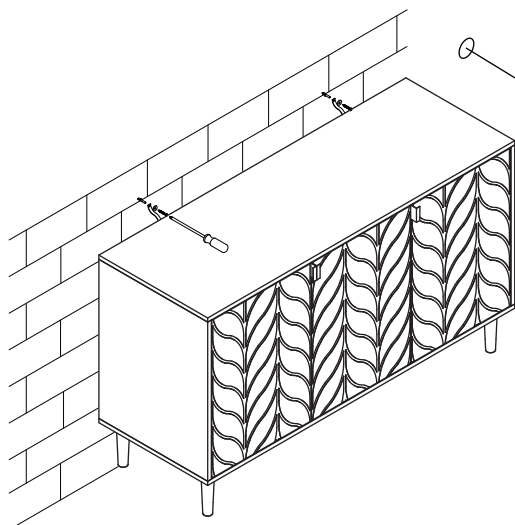
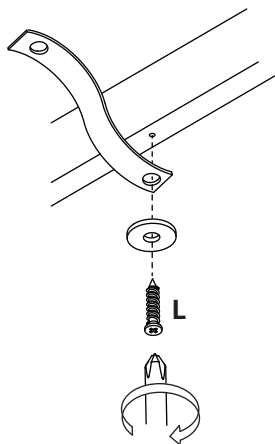
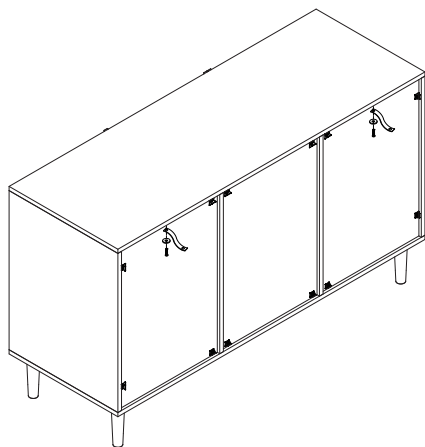
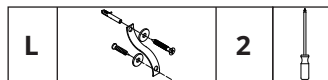
Step 9



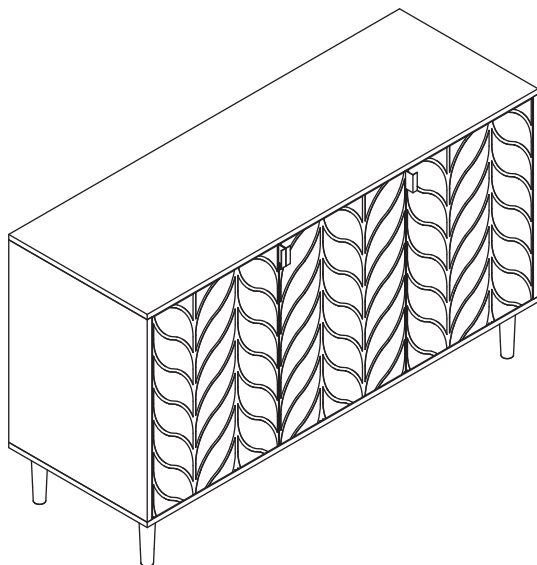
H		12	
---	---	----	--

ASSEMBLY INSTRUCTIONS

Step 10



ASSEMBLY INSTRUCTIONS



Congratulations! Now you have finished assembling the product. There may be some dust or hand marks on your item.

IF YOU FIND A DEFECTIVE PART

We fully stock all parts and components. Any defective part can be quickly replaced. Take note of the defective part number in manual and we will arrange a quick replacement.

You can email our team at customercare@laura-james.co.uk

COPYRIGHT

All material in this instruction manual is copyrighted by AGTC Ltd.

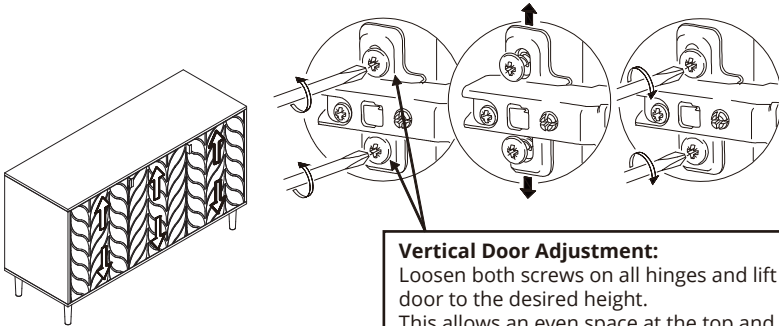
Any unauthorised use may violate worldwide copyright, trademark and other laws.

DOOR ALIGNMENT



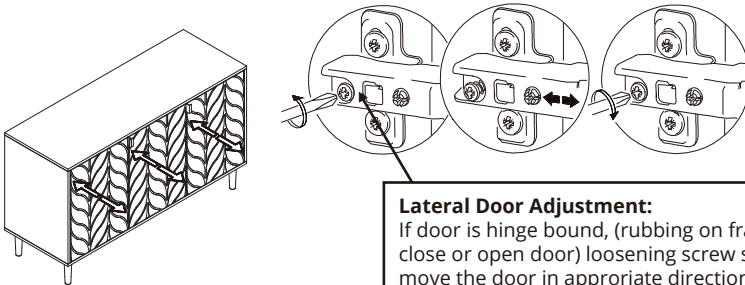
Customer Attention:

To align doors and control gap in between doors. Product doors may need adjusting during and after assembly. This can be done by adjusting appropriate screws. See below illustration.



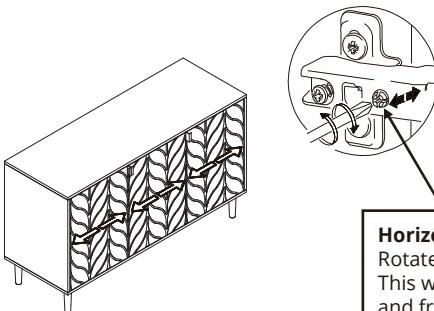
Vertical Door Adjustment:

Loosen both screws on all hinges and lift the door to the desired height. This allows an even space at the top and bottom between the door and frame.



Lateral Door Adjustment:

If door is hinge bound, (rubbing on frame as you close or open door) loosening screw shown and move the door in appropriate direction. (In or out)

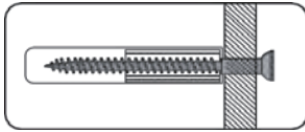


Horizontal Door Adjustment:

Rotate Screw clockwise or anticlockwise. This will produce an even gap between doors and frame.

Wall fixings

Step by step



Important

When drilling into walls always check there are no hidden wires or pipes etc. Make sure that the screws and wall plugs being used are suitable for supporting your unit. Consult a qualified tradesperson if you are unsure.

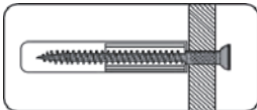
Hints

1. General Rule; Always use a larger screw and wall plug if you are not sure.
2. Ensure you use the recommended drill bit to match the wall plug and hole size.
3. Ensure you drill the hole horizontally, do not force the drill or enlarge the hole.
4. Take extra care when drilling high walls, ceilings and ceramic tiles. Ensure the plug is fitting below the ceramic tile to avoid splitting or cracking.
5. Ensure wall plugs are well fitted and are a tight fit in the drilled hole.

Types of Walls

You can use one of the following types of wall plug if your walls are made of brick, breeze block, concrete, stone, wood or plastic board.

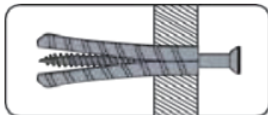
1. STANDARD Wall Plug General wall materials



These come in various sizes and are made from plastic or sometimes wood fibre.

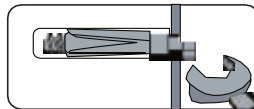
2. GENERAL PURPOSE Wall Plug

Aerated/Breeze block



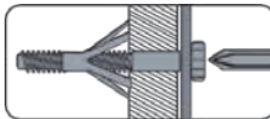
Generally aerated blocks should not be used to support heavy loads, use a specialist fitting in this case. For light loads, a General Purpose Plug can be used.

3. SHIELD ANCHOR Wall Plug Heavy loads



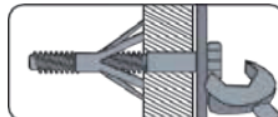
For use with heavier loads such as TV & Hi-fi Speakers and Satellite Dishes etc.

4. CAVITY FIXING Wall Plug



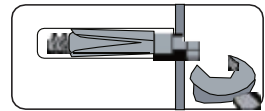
For use with plaster board partitions or hollow wooden doors.

5. CAVITY FIXING HEAVY DUTY Wall Plug




For use with plaster board partitions or hollow wooden doors.


6. HAMMER FIXING Wall Plug



For use with walls stuck with plaster board. The hammer fixing allows it to be fixed to the wall rather than the plaster board. Always check the fixing is secure to the retaining wall.

Care and Maintenance

 Safety
Always check the fitting and location to ensure your safety in and around the home.

 Fitting
From time to time check the fitting to ensure the wall plugs or screws do not become loose.

8

Wall fixings

- This wall fixing is provided for your safety and we recommend that once in position the unit is secured to the wall for extra stability.
 - Wall fixings may vary depending on item of furniture purchased.
 - Wall fittings are not provided as different wall types require different raw plugs and screws.
 - Please ensure that you use fittings that are suitable for your wall type (see next page for a general guide).
 - Please ensure that the head of the screws used has a diameter greater than the diameter of the hole on the wall fixing and that the fixing is safe and secure before using.
 - When drilling into the walls, always ensure there are no hidden wires or pipes.
 - If you are unsure, we recommend you consult a qualified Trades person.
-

Thank you for purchasing!

Laura James® is a registered trademark of AGTC Ltd.
Made in China for AGTC LTD S35 9ZX.

Laura James

www.laura-james.co.uk