



DOLL HIGH CHAIR WITH PLATE, BIB, & SPOON

Assembly Instructions. Adult Assembly Required.
Read all instructions before use. This manual is part of the product and must be kept for future reference.



** Model 10193 is shown here.*

MODEL NUMBERS*:



01013 - Gingham

10193 - Chevron

VERSION CODE*:

6.0/0714/TG

** Model and Version numbers are needed
if replacement parts are requested*

Find us on  •  **YouTube** *assembly video available at Badger Basket's YouTube channel!*

FOR REPLACEMENT PARTS:
<http://www.badgerbasket.com/parts>

Badger Basket®, PO Box 227, Edgar, WI 54426-0227 USA • **Web:** www.badgerbasket.com
U.S. Based Customer Service Toll-Free (Mon-Thurs 7:00 AM-4:00 PM CST): 1-800-236-1310
Phone: 715-352-2311 • **Fax:** 715-352-3163



BEFORE YOU BEGIN ASSEMBLY:

Check all parts and hardware. If anything is missing or not satisfactory, please DO NOT call the store or return the product to them. Please go online to:

<http://www.badgerbasket.com/parts>

Most problems are resolved without you needing to leave home.

When contacting us, please have this instruction manual, your product model number, and your Version Code ready.

Your Model Number is: SEE COVER PAGE

Your Version Code is: 6.0/0714/TG

CARE INSTRUCTIONS:

Frame and accessories can be wiped clean with a damp cloth and mild soap and dry thoroughly. Spot clean fabric as needed with cold water and mild detergent and allow to air dry.



WARNING

ADULT ASSEMBLY REQUIRED. DUE TO THE PRESENCE OF SMALL PARTS AND SHARP POINTS DURING ASSEMBLY, KEEP OUT OF REACH OF CHILDREN UNTIL ASSEMBLY IS COMPLETE.






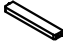


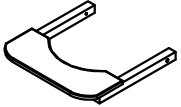
WARNING - CAUTION





READ ALL INSTRUCTIONS before use of this product. Use only the parts provided by Badger Basket®. Keep instructions for future use.

Do not use the product if it is damaged or broken. Periodically inspect the product to ensure all parts remain tight. **This item is a toy for dolls only. It is never to be used for real infants or pets. No product is a substitute for adult supervision. Always supervise your child during play.** For children ages three (3) years and older. Never sit on or stand on the toy.

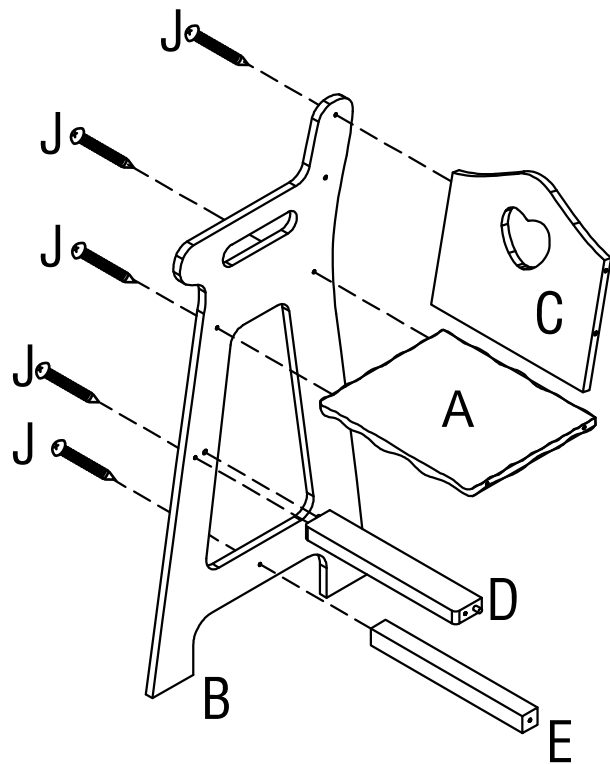


ASSEMBLY TIPS! Review the entire manual before beginning. Leave hardware slightly loose during assembly and then go back and tighten fully at the end. If using a power screwdriver, keep torque setting low and go slow to prevent damage to the product.

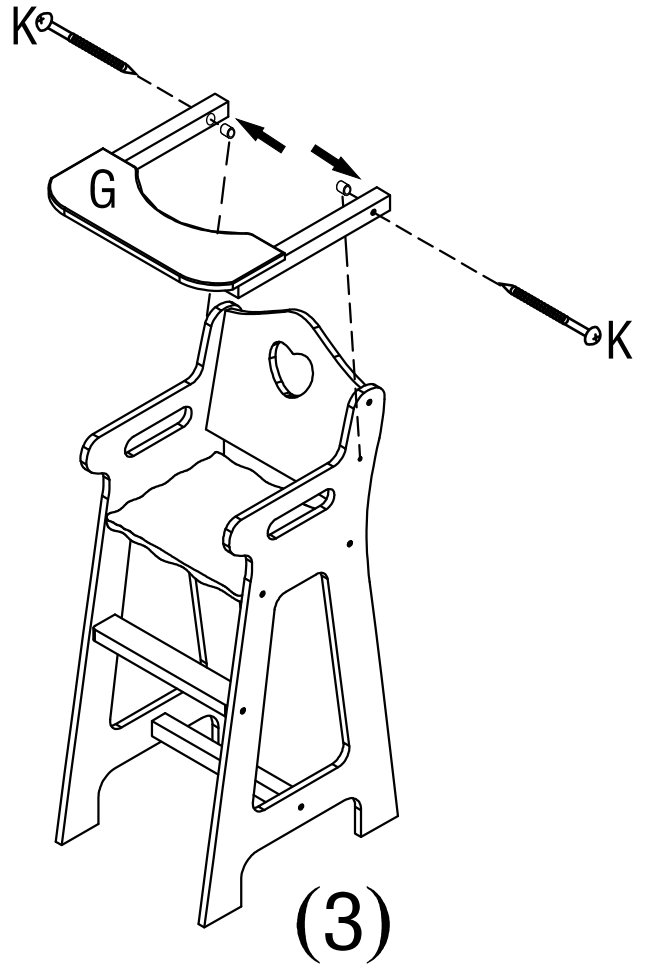
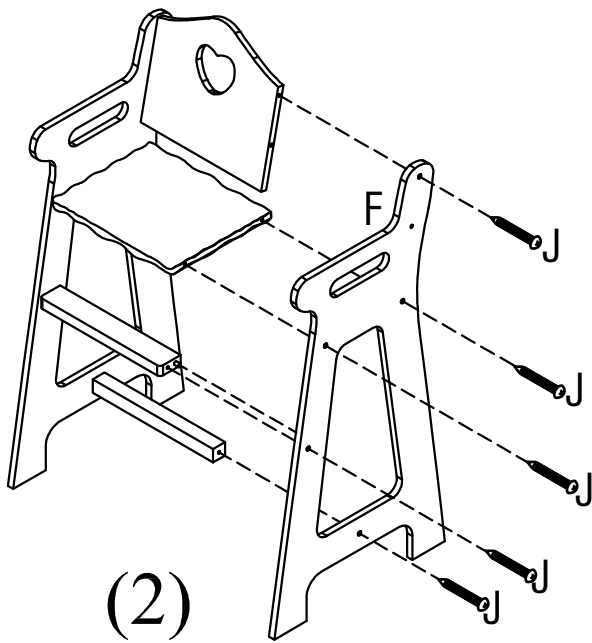
A	B	C	D	E	F	G
						
1PC	1PC	1PC	1PC	1PC	1PC	1PC

H	I	J	K	TOOL NEEDED
		 40mm	 60mm	PHILLIPS SCREW DRIVER
1SET	1PC	10PCS	2SETS	NOT INCLUDED

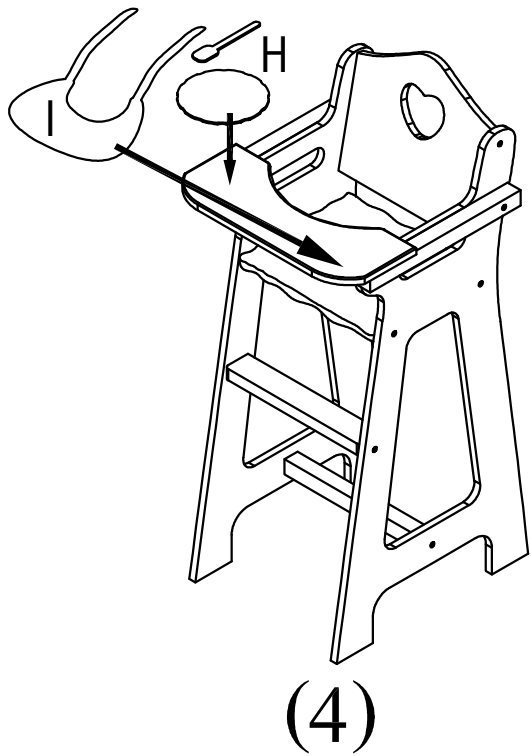
- A - Seat
- B - Left Side
- C - Back
- D - Footrest Rail
- E - Support Rail
- F - Right Side
- G - Tray
- H - Plate and Spoon
- I - Fabric Bib
- J - Short Screw
- K - Long Screw and Plastic Spacer Set



(1)



The countersunk holes on the side panels face out when assembled. So, this determines which panel is left and which is right.



In STEP 3, insert the PLASTIC SPACERS (K) into the TRAY ARMS (G) first, and then attach the TRAY (G) to the SIDES (B and F) using the LONG SCREWS (K).

