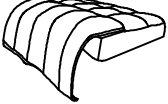
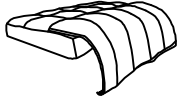

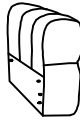
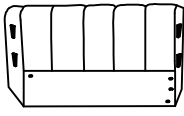
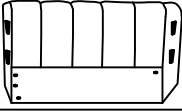


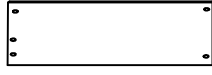


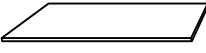










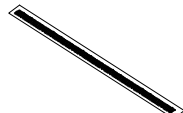
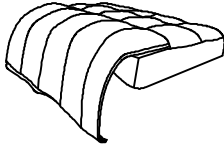
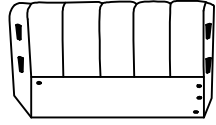



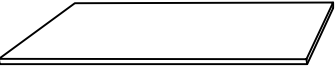

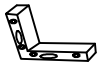


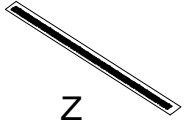








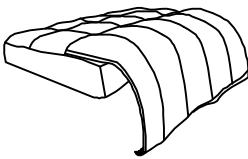
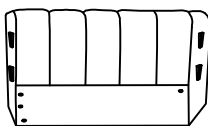



# ASSEMBLY INSTRUCTION

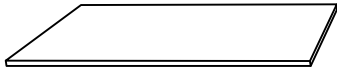
<b>A</b> Seat cushion -L X1 	<b>B</b> Seat cushion -R X1 	<b>C</b> Armrest-L X1 	<b>D</b> Armrest-R X1 	<b>E</b> Backrest -L x1 
<b>F</b> Backrest -R x1 	<b>G</b> Side rail-L X1 	<b>H</b> Side rail-R X1 	<b>I</b> Front panel-L X1 	<b>J</b> Front panel-R X1 
<b>K</b> Pillow x2 	<b>L</b> Seat panel x2 	<b>M</b> Leg x4 	<b>N</b> Metal leg x4 	<b>O</b> Corner iron x10 
<b>P</b> Corner iron x4 	<b>Q</b> Butterfly nut M8 x2 	<b>R</b> Bolt M8*20 X36 	<b>S</b> Washer M8*20 X 44 	<b>T</b> Allen wrench x1 8M 
<b>U</b> Bolt M6*70 X8 	<b>W</b> Allen wrench x1 6M 	<b>Z</b> Velcro 		

 <b>A</b> Seat cushion -L X1	 <b>E</b> Backrest -L x1	 <b>G</b> Side rail-L X1	 <b>I</b> Front panel-L X1	 <b>K</b> Pillow x1
---	---	---	--	--

 <b>L</b> Seat panel x1	 <b>M</b> Leg x4	 <b>N</b> Metal leg x4	 <b>O</b> Corner iron x10	 <b>P</b> Corner iron x4	 <b>Z</b> Velcro
---	---	---	--	---	---

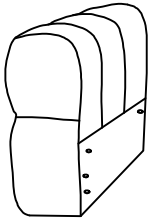
 <b>R</b> M8*20 X 36	 <b>S</b> M8*20 X 44	 <b>T</b> Allen wrench x1 8M	 <b>U</b> M6*70 X8	 <b>W</b> Allen wrench x1 6M	 <b>Q</b> Butterfly nut x2
---	---	---	---	---	---

 <b>B</b> Seat cushion -R X1	 <b>F</b> Backrest -L x1	 <b>H</b> Side rail-R X1	 <b>J</b> Front panel-R X1	 <b>K</b> Pillow x1
--	---	---	--	--



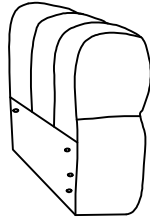
L

Seat panel x1



C

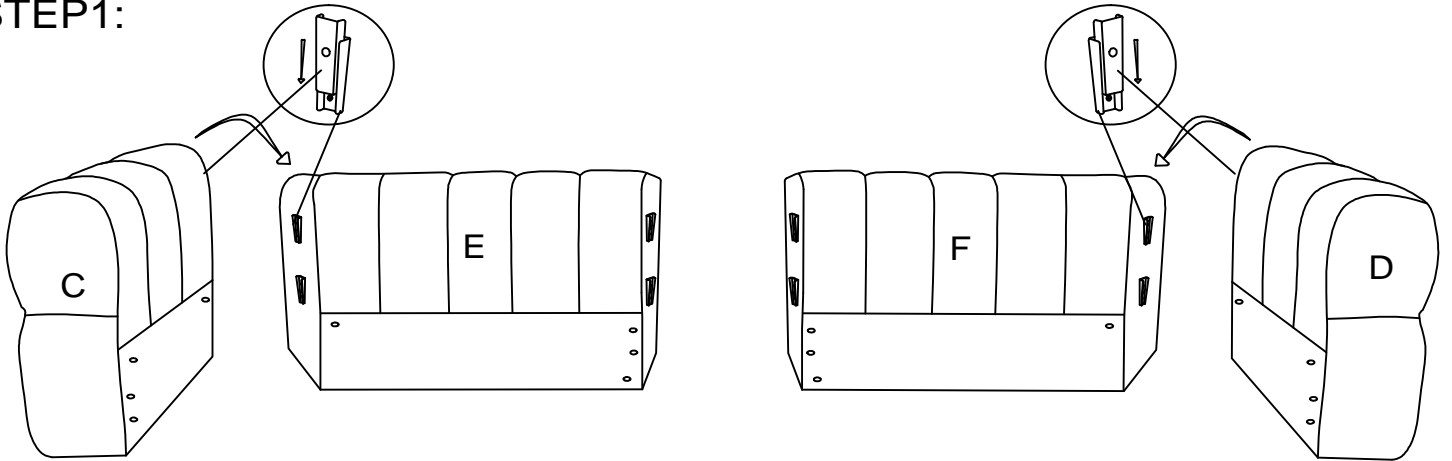
Armrest-L X1



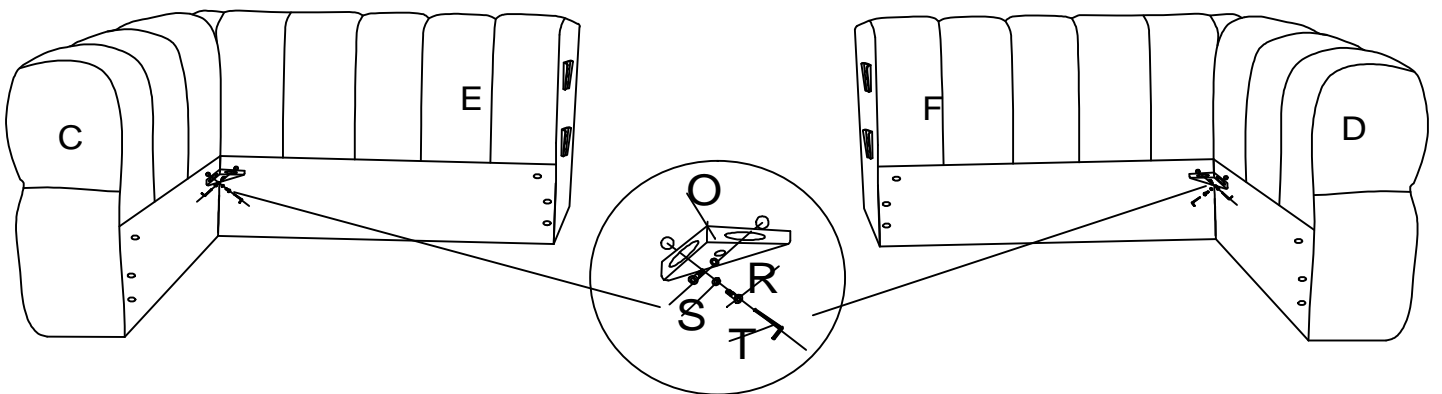
D

Armrest-L XR

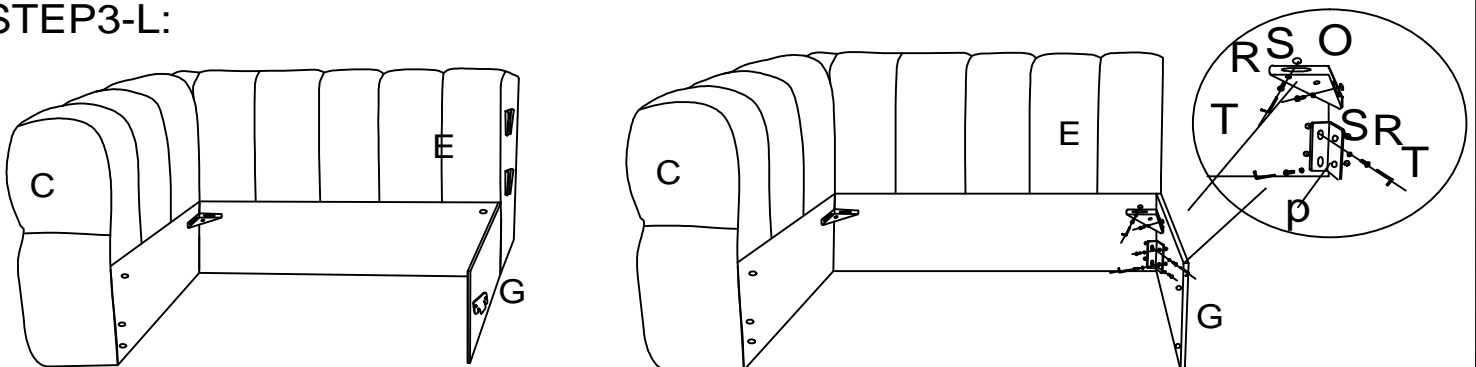
STEP1:



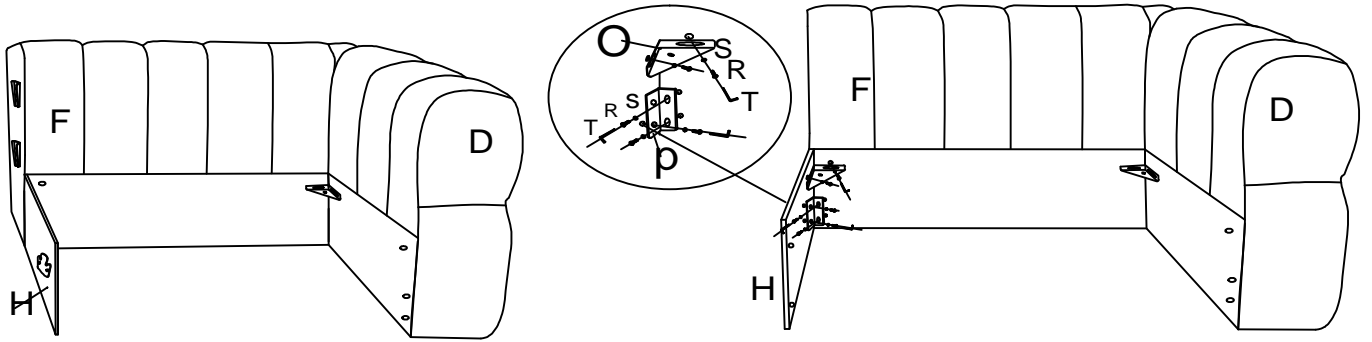
STEP2:



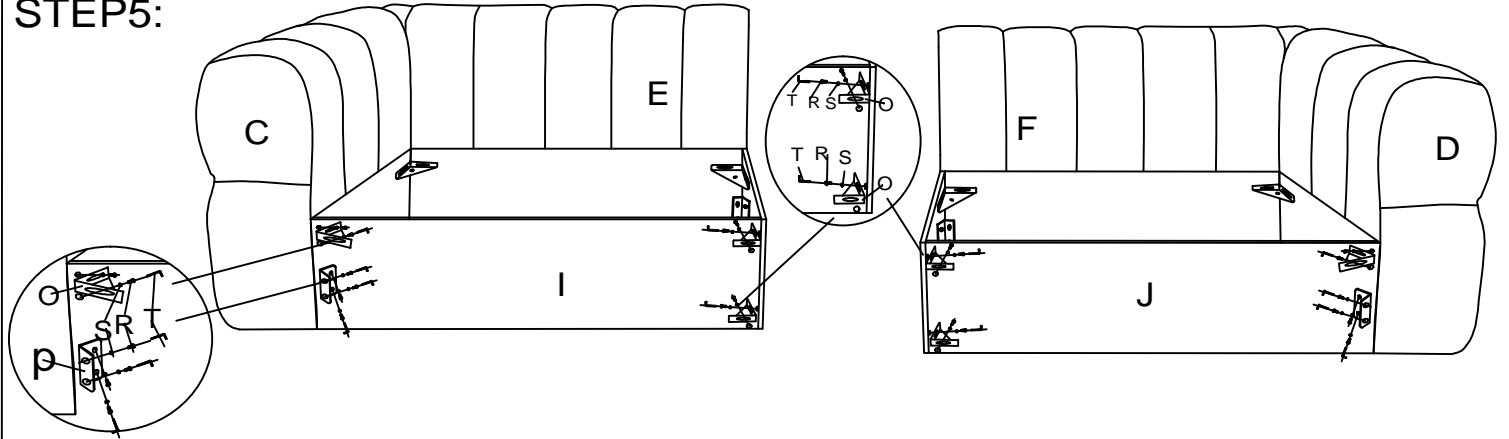
STEP3-L:



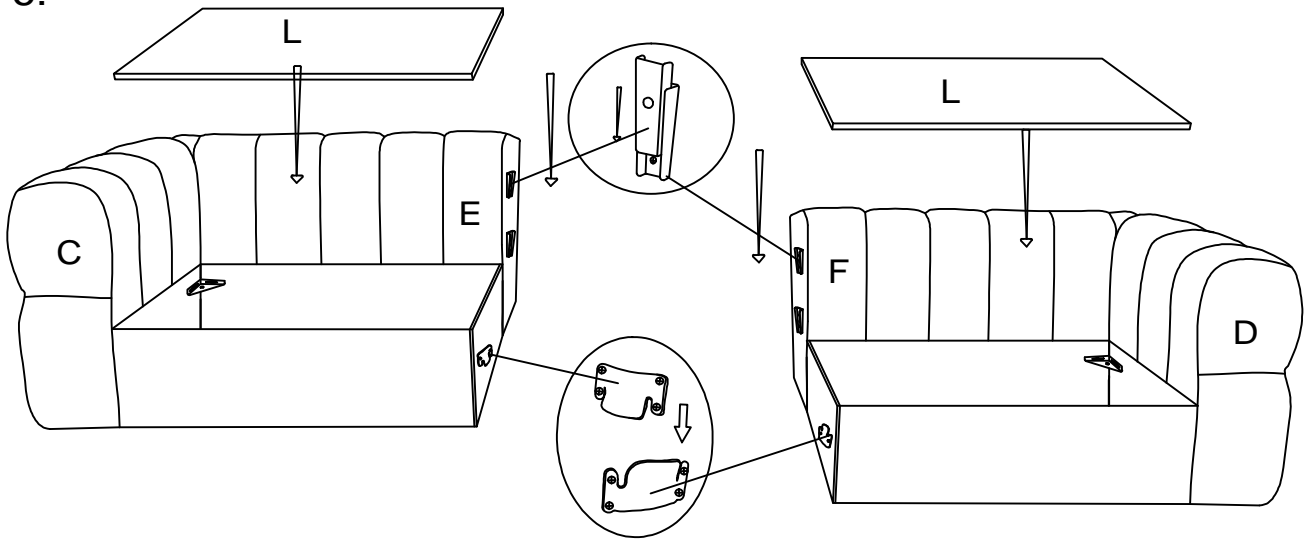
STEP4-R:



STEP5:

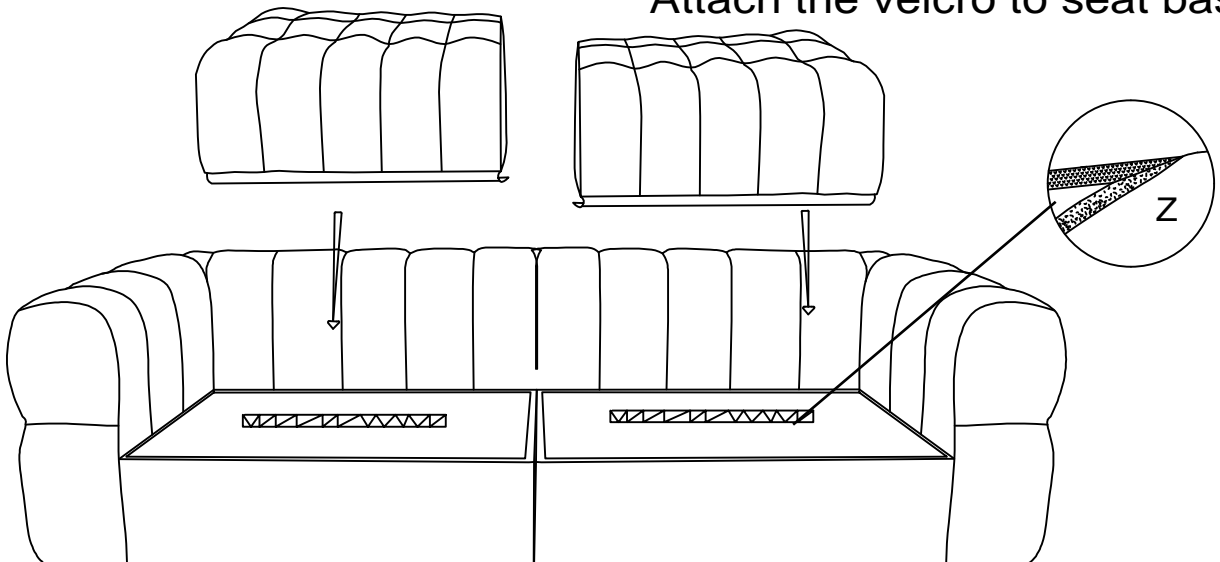


STEP6:

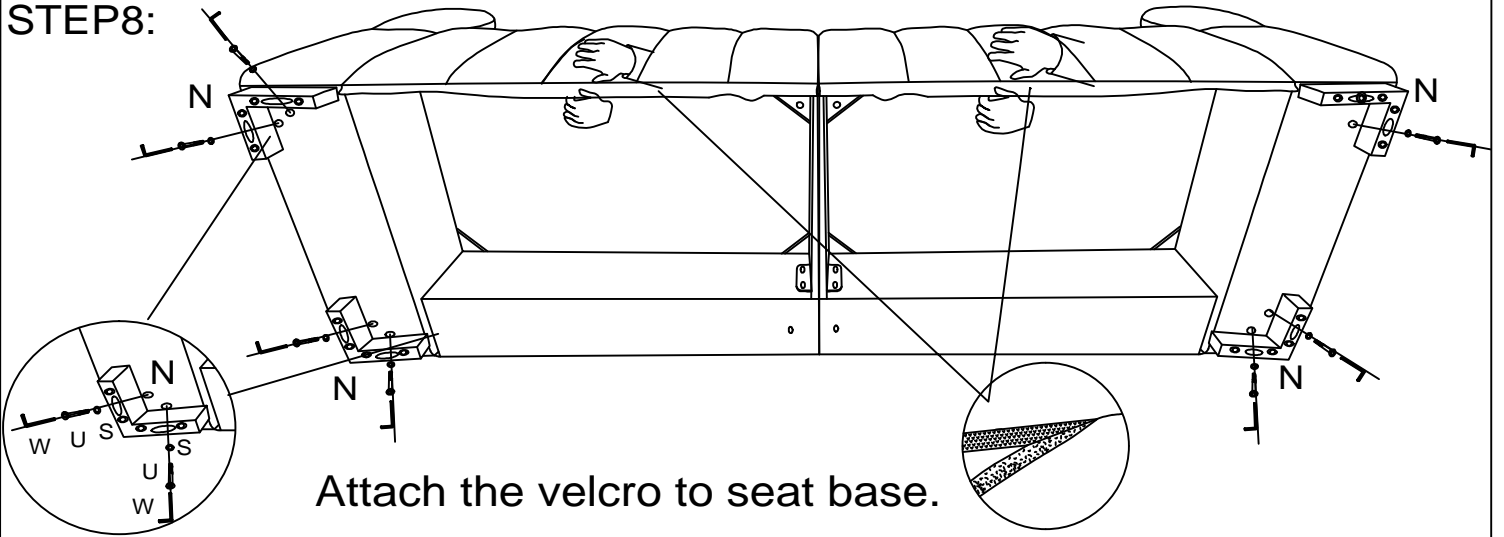


STEP7:

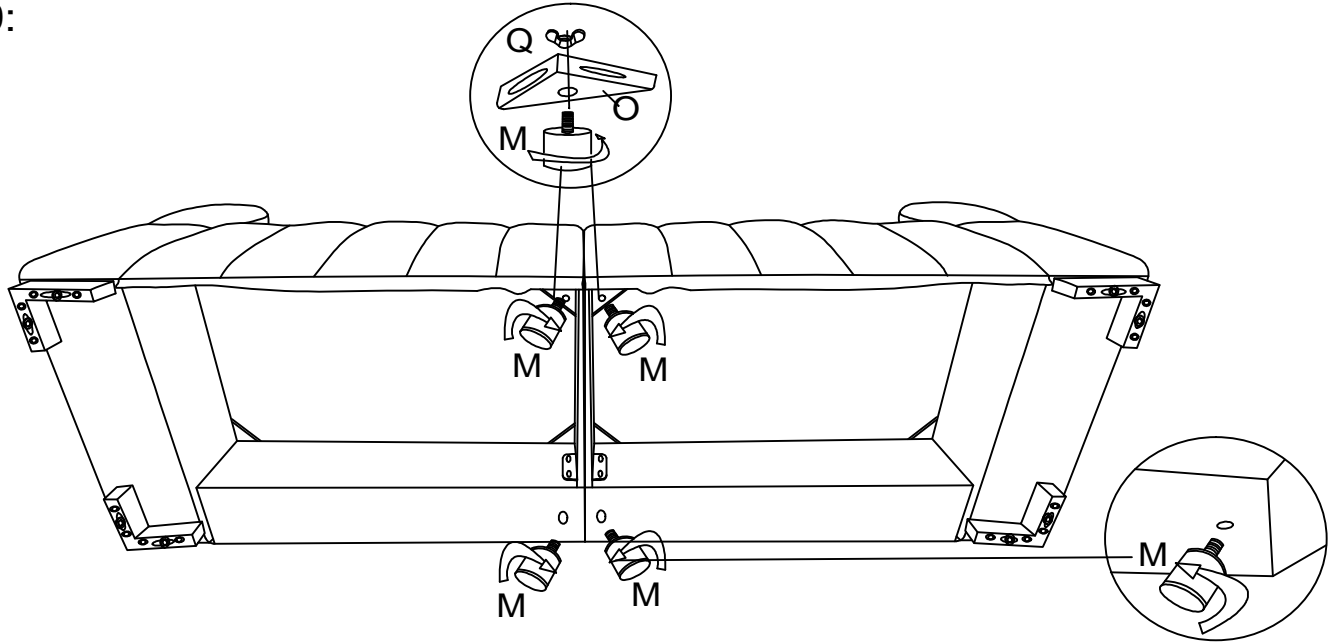
Attach the velcro to seat base.



STEP8:



STEP9:



STEP10:

