

ASSEMBLY INSTRUCTION

KINCAID
SOLID WOOD SINCE 1946

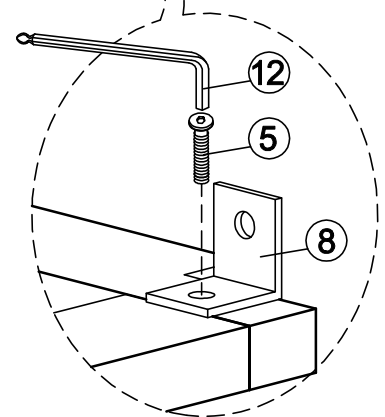
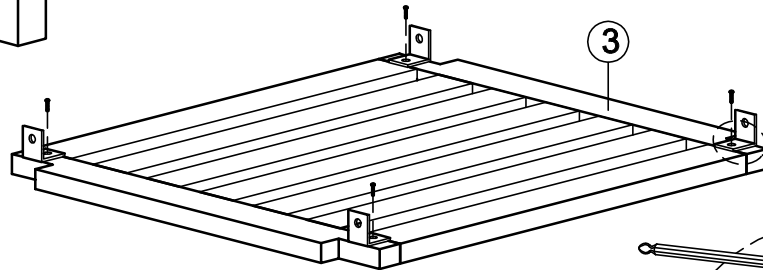
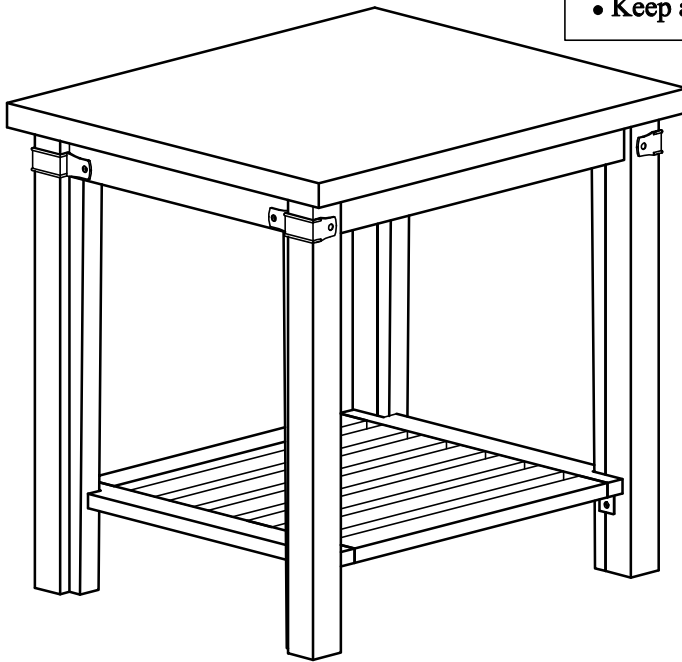
59-021 END TABLE

www.kincaidfurniture.com

Phone :828-728-3261.

IMPORTANT NOTES :

- Place all wooden parts on a clean and smooth surface such as a rug or carpet to prevent the parts from being scratched .
- Check to be sure that you have all parts and hardware .
- Remove all wrapping materials, including staples and packing straps before you start to assemble .
- Do not tighten all screws and bolts until completely assembled .
- Keep all hardware out of the reach of children .



| Item # | Description | Q'ty |
|--------|---------------------------|------|
| 1. | Table Top | 1 |
| 2. | Table legs | 4 |
| 3. | Frame Shelf | 1 |
| 4. | Long Bolts M8 x 60 | 4 |
| 5. | Short Bolts M6 x 15 | 8 |
| 6. | Washers | 4 |
| 7. | Lock Washers | 4 |
| 8. | Metal Plate Connect | 4 |
| 9. | Decorate A | 4 |
| 10. | Decorate B (Pre-assembly) | 4 |
| 11. | Screw | 4 |
| 12. | Allen Key | 1 |

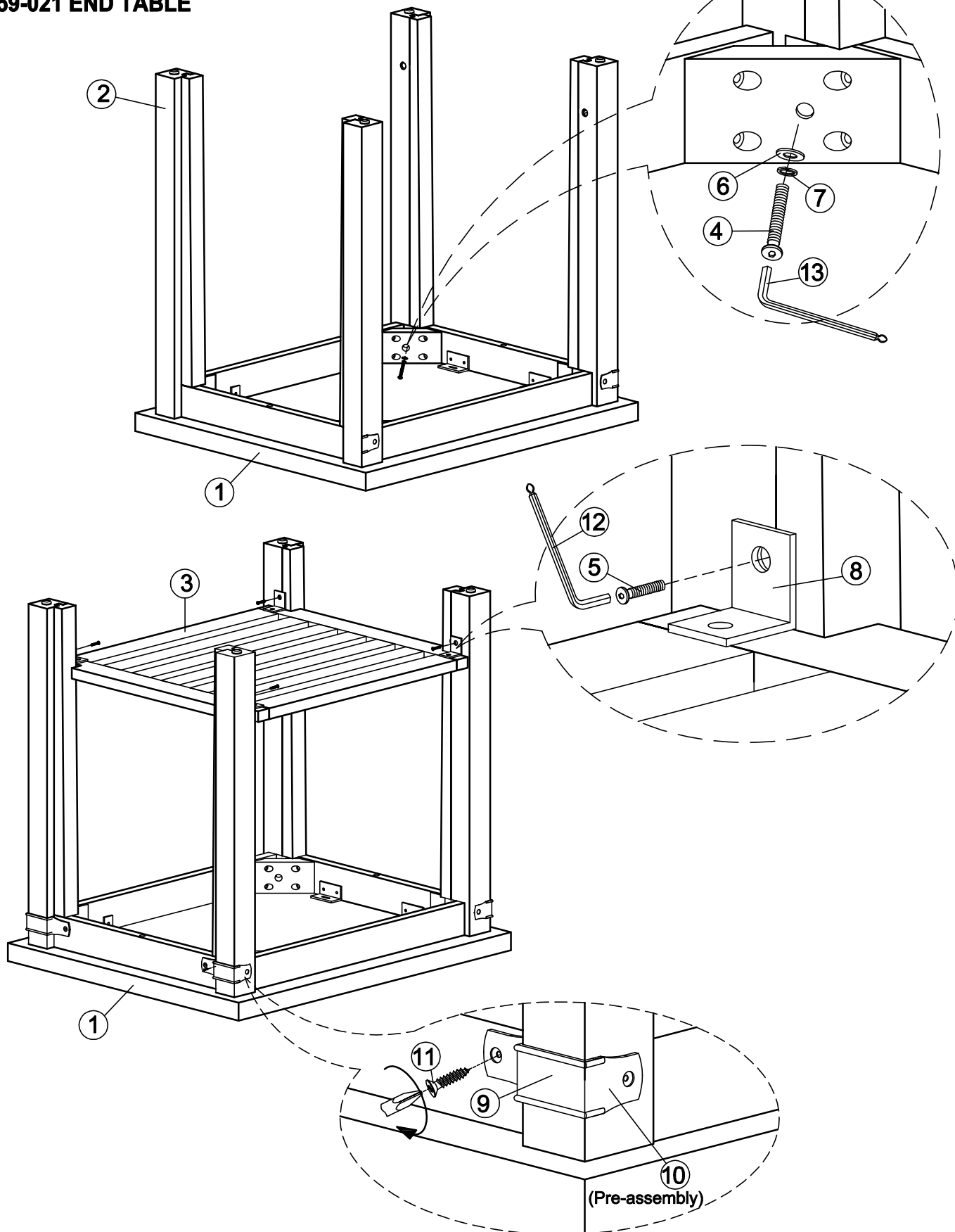
MADE IN VIETNAM

Page 1 of 2

ASSEMBLY INSTRUCTION

KINCAID
SOLID WOOD SINCE 1946

59-021 END TABLE



MADE IN VIETNAM

Page 2 of 2