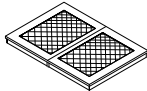
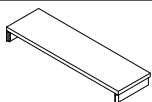
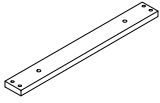
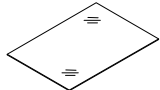
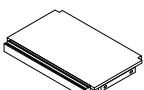
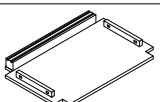
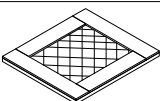
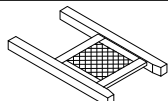
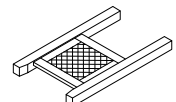
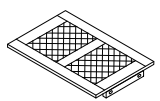


# ASSEMBLY INSTRUCTIONS INSTRUCCIONES

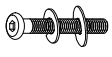
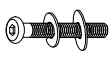

## (BOX 1) TABLE TOP

| NO. | DESCRIPTION   | SKETCH  | Q'TY |
|-----|---------------|---|------|
| 1   | TABLE TOP     |  | 1    |
| 2   | LEAF          |  | 1    |
| 3   | CONNECT BOARD |  | 2    |
| 4   | GLASS         |  | 2    |

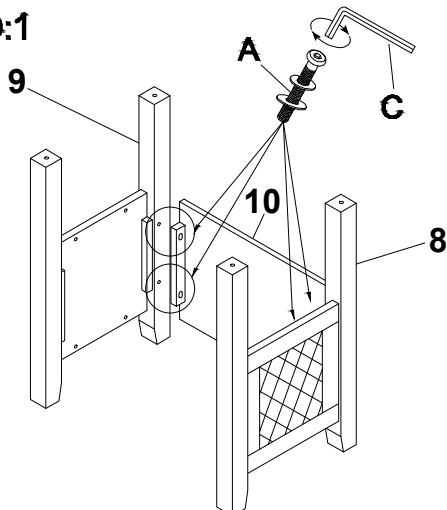
## (BOX 2) TABLE BASE

|    |                  |   |   |
|----|------------------|---|---|
| 5  | BOTTOM SHELF     |    | 1 |
| 6  | TOP SHELF        |  | 1 |
| 7  | MOVABLE DOOR     |  | 2 |
| 8  | TABLE LEG(RIGHT) |  | 1 |
| 9  | TABLE LEG(LEFT)  |  | 1 |
| 10 | BACK PANEL       |  | 1 |

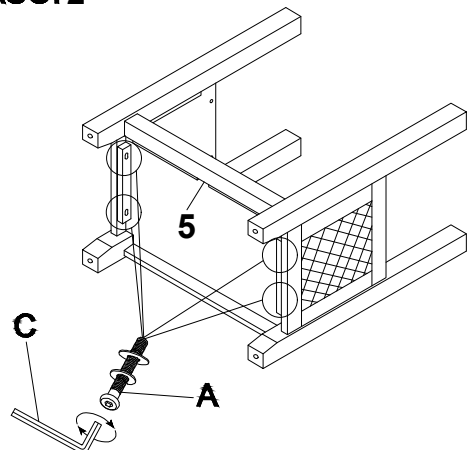
## (BOX 1) HARDWARE LIST

| NO. | DRAWING  | DESCRIPTION        | Q'TY |
|-----|--|--------------------|------|
| A   |  | Ø1/4"-20x1-1/2" L  | 12   |
| B   |  | Ø5/16"-18x2" L     | 12   |
| C   |  | M4 SMALL ALLEN KEY | 1    |

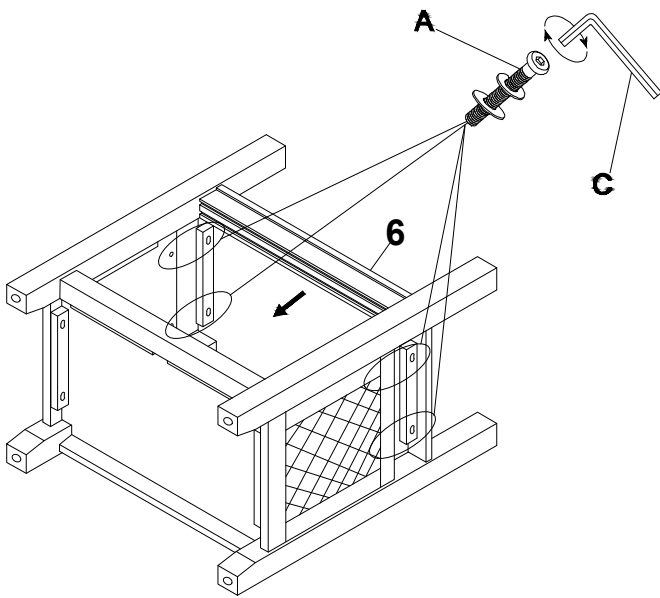
### STEP/PASO:1



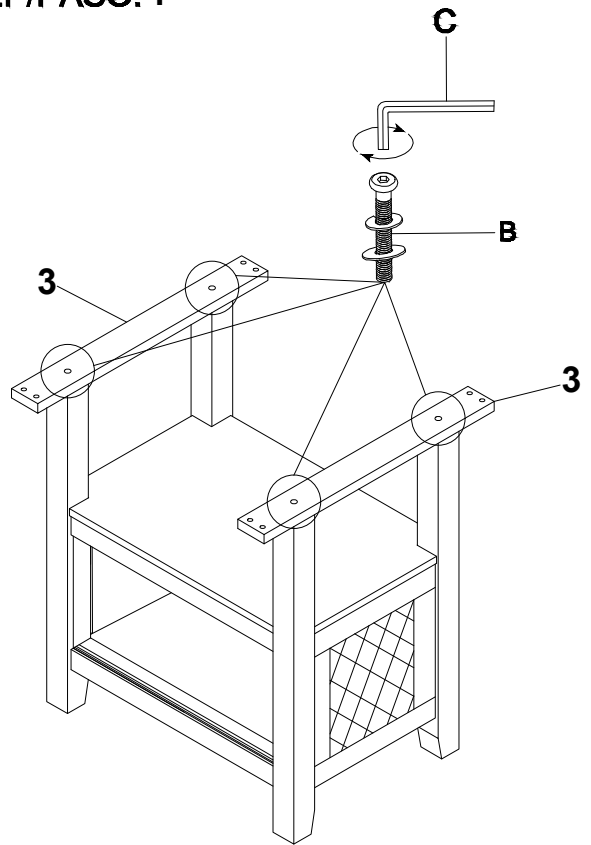
### STEP/PASO: 2



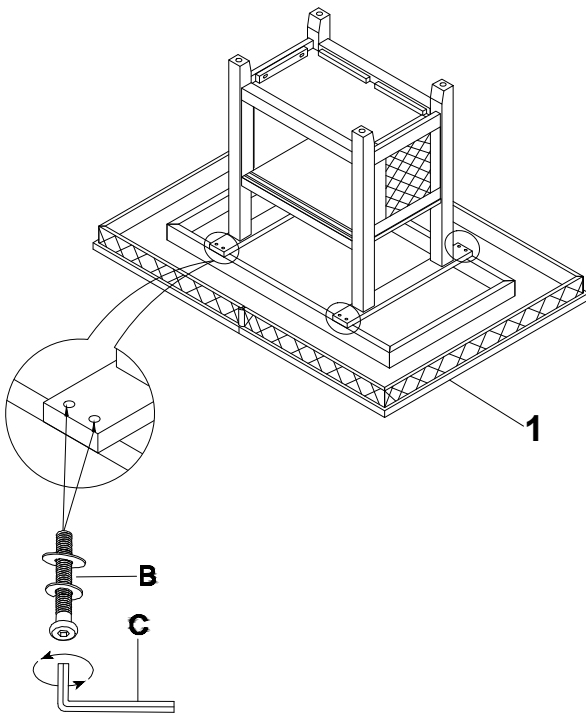
**STEP/PASO: 3**



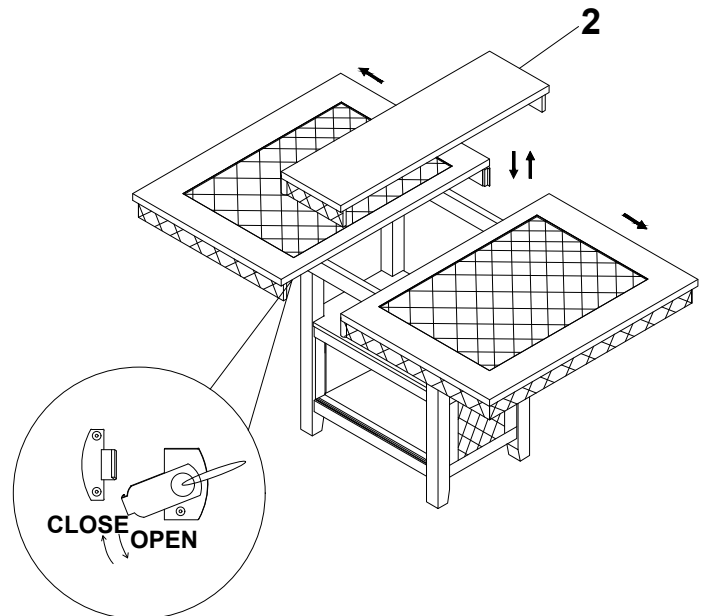
**STEP/PASO: 4**



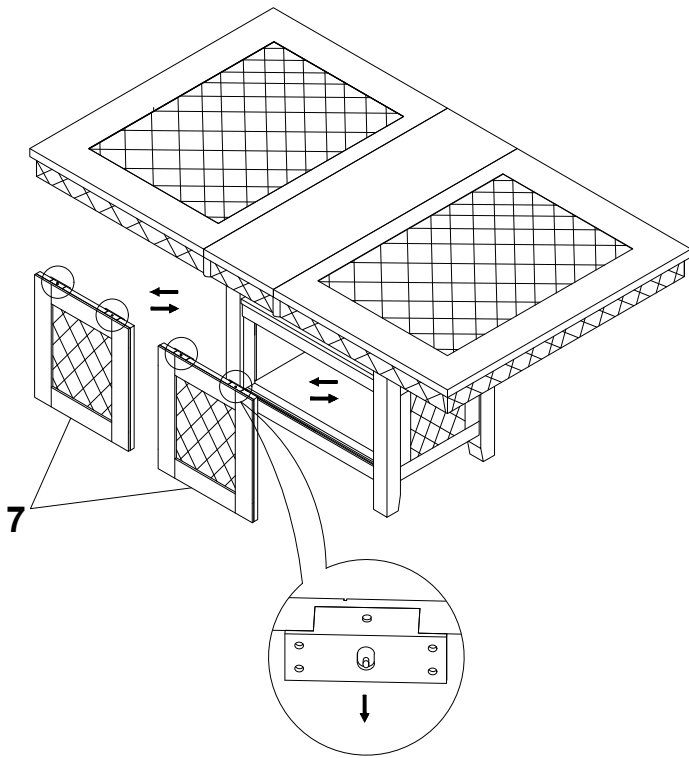
**STEP/PASO: 5**



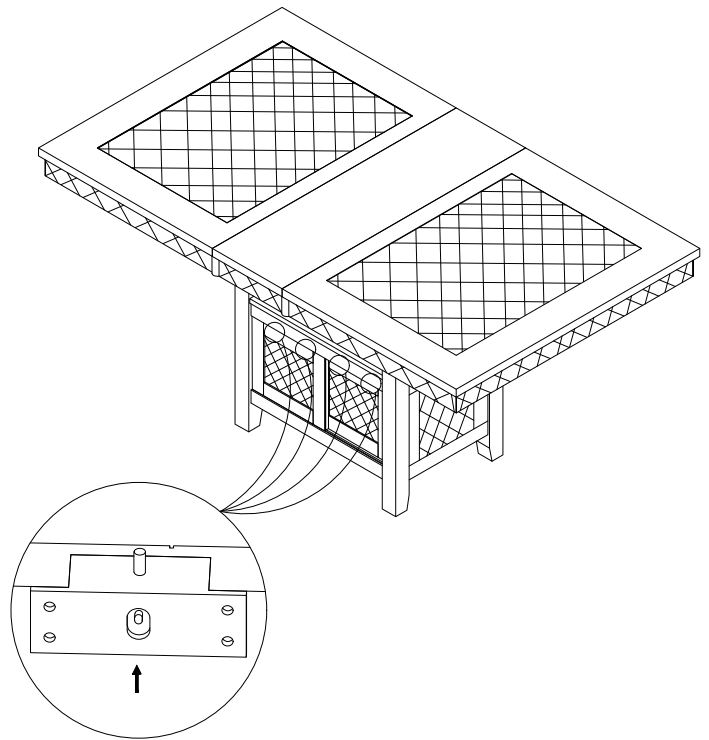
**STEP/PASO: 6**



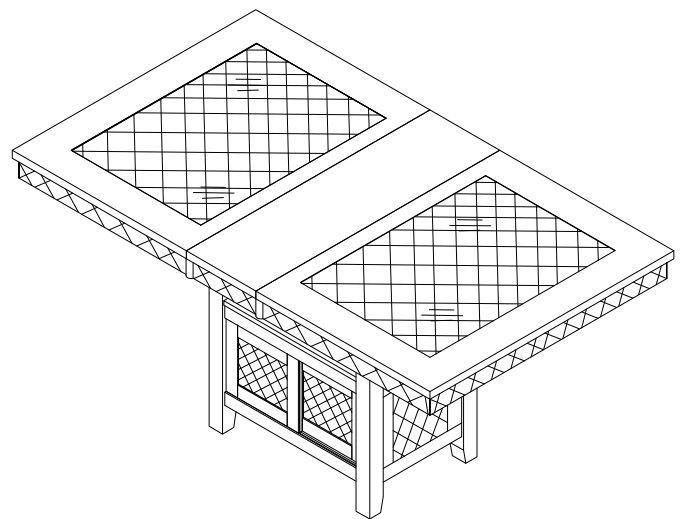
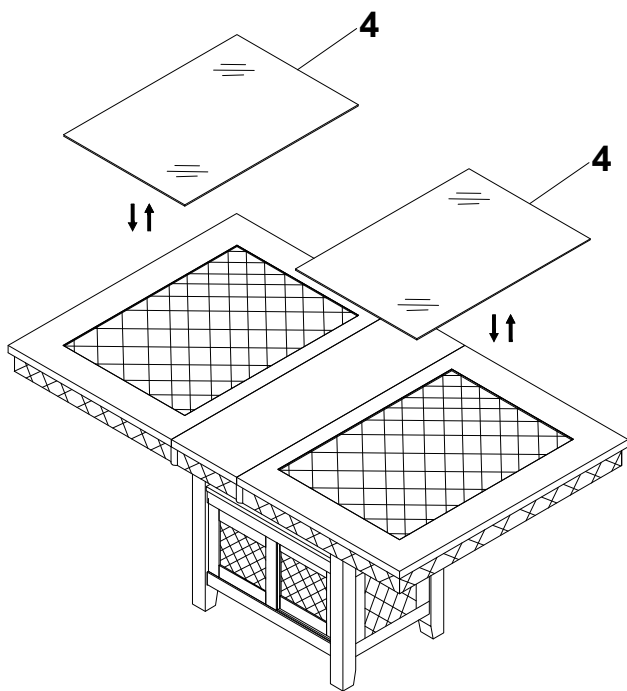
**STEP/PASO:7**



**STEP/PASO:8**



**STEP/PASO:9**



**DO NOT TIGHTEN ALL BOLTS UNTIL COMPLETELY ASSEMBLED.  
NO APRETAR LOS TORNILLOS HASTA ARMAR COMPLETAMENTE.**