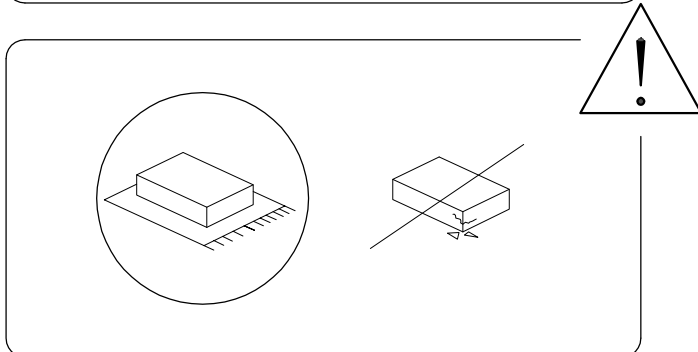
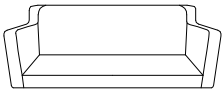



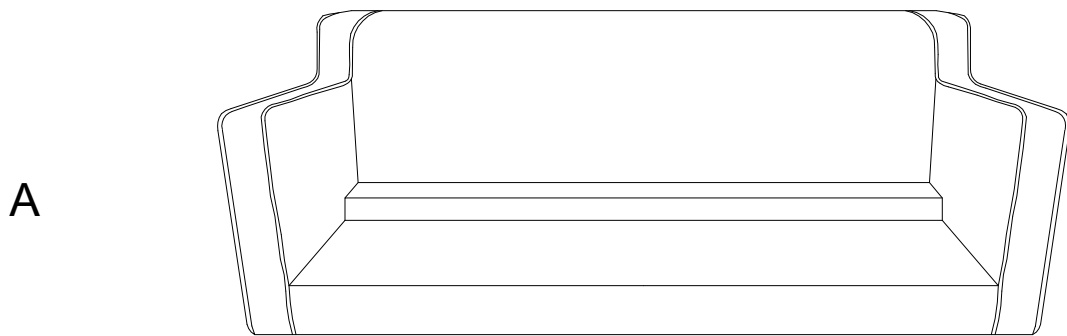
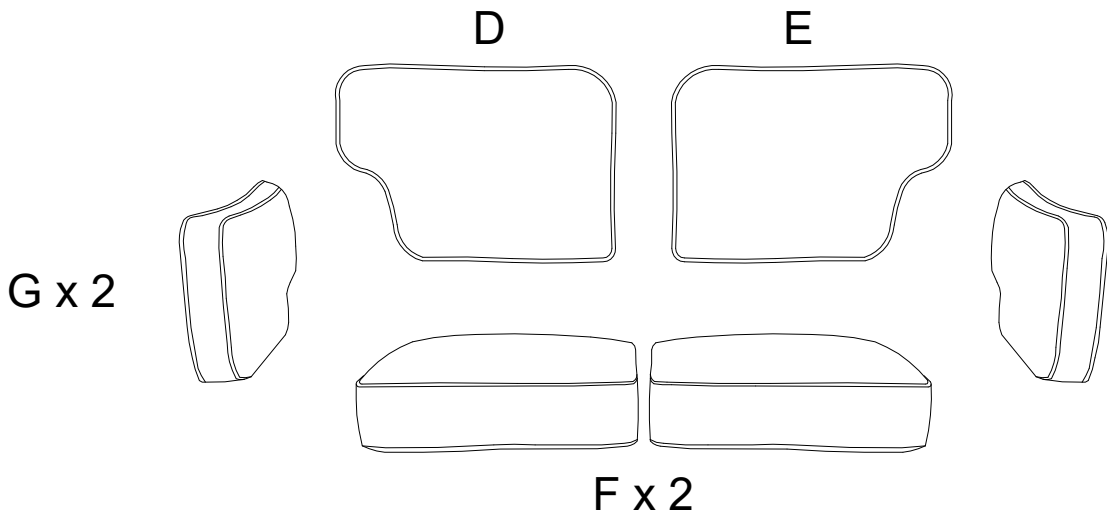




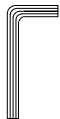

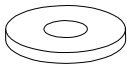
30



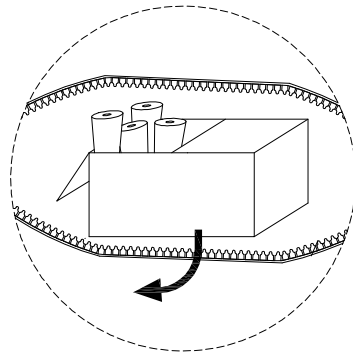
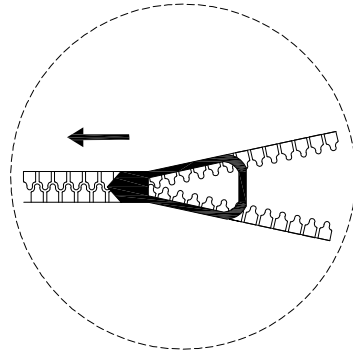
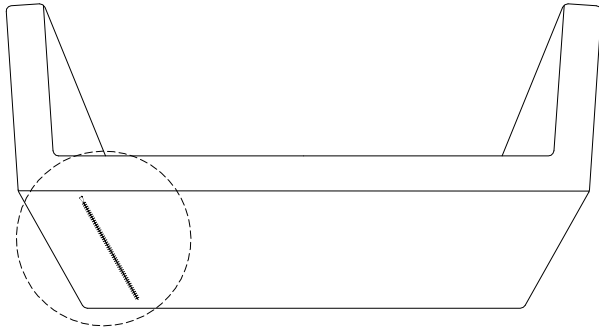
1

A	B	D	E
			
x 1	x 4	x 1	x 1

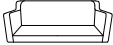

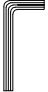




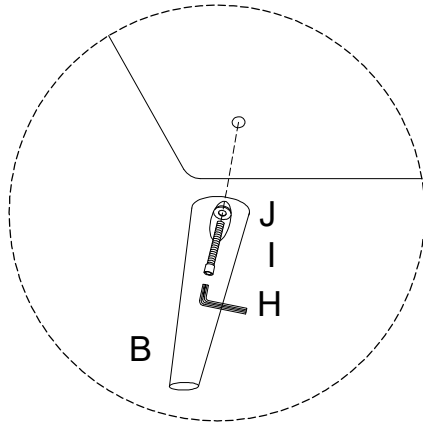
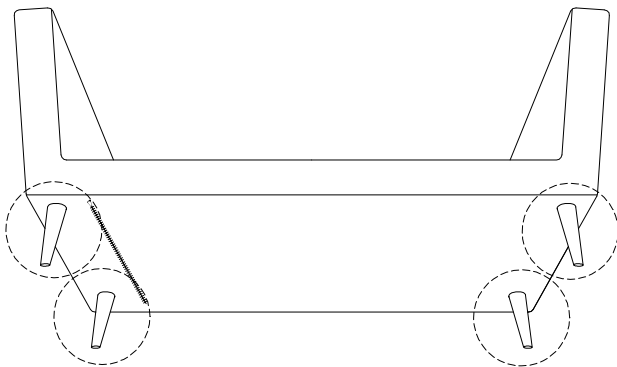
F	G	H	I	J
			 M8 x 65	
x 2	x 2	x 1	x 4	x 4

!



1

A  x 1	B  x 4	H  x 1	I  M8 x 65 x 4	J  x 4
--	--	--	---	--



2

