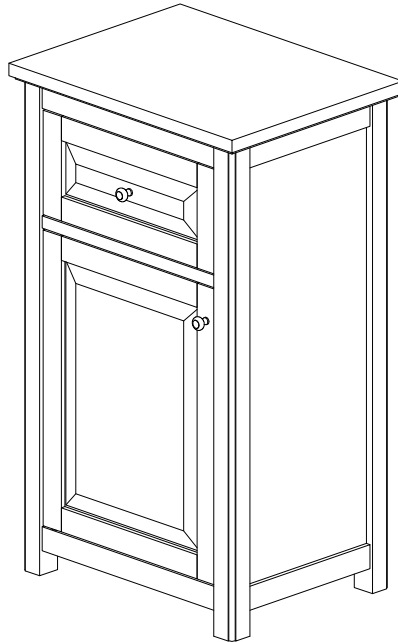


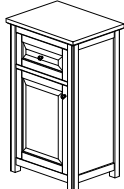
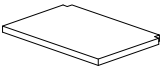
Storage Delux Base





Thank you for purchasing the Storage Hutch. We have found it helpful to have a second person present during the assembly process.

Storage Delux Base Assembly Instructions

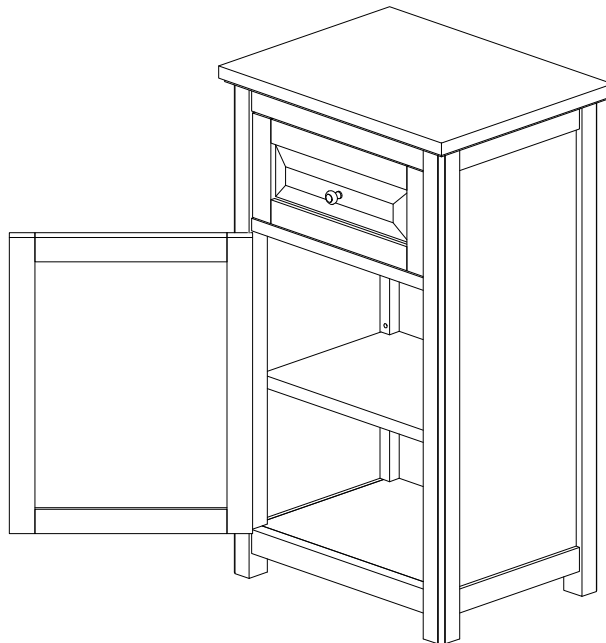
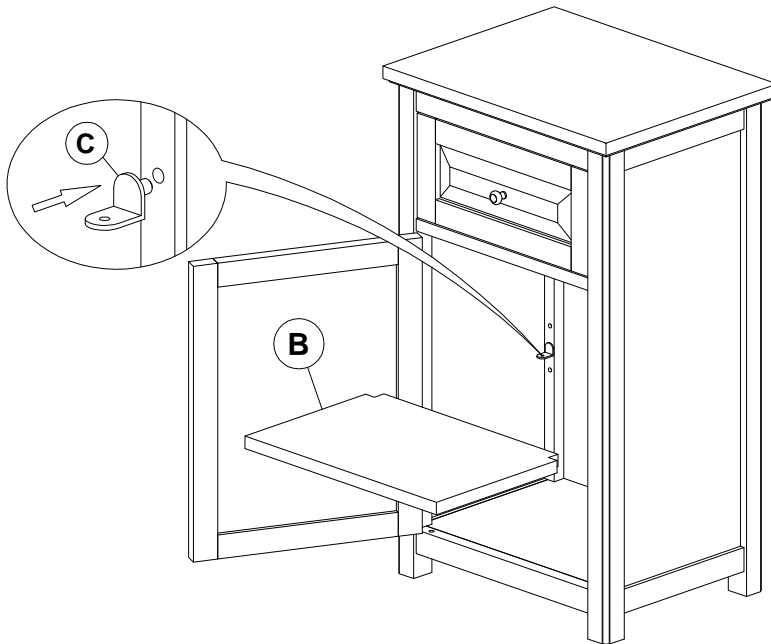
Parts

NO.	DRAWING	DESCRIPTION	QTY
A		BASE	1
B		SHELF	1

NO.	DRAWING	DESCRIPTION	QTY
C		SHELF CLIP	4
D		ANTI-TIP	1

Step 1

Open the door of Storage Delux Base (A), Insert 4-Shelf Clips (C) in Holes on Side Frames at desired location. Place Shelf (B) on Shelf Clips (C).



CARE

Clean with a non abrasive cloth using a mild soap. Make sure to wipe dry.