

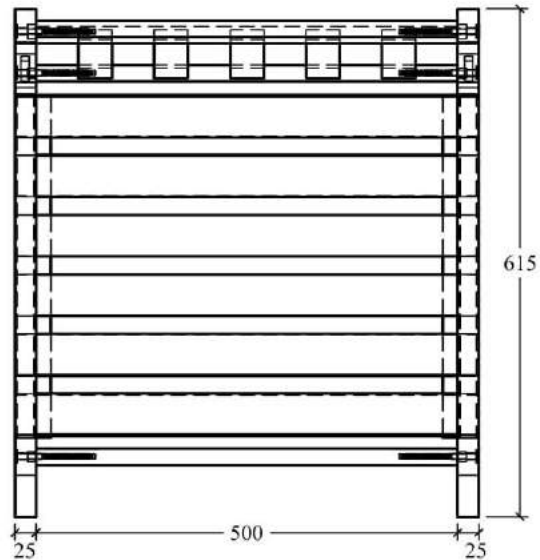
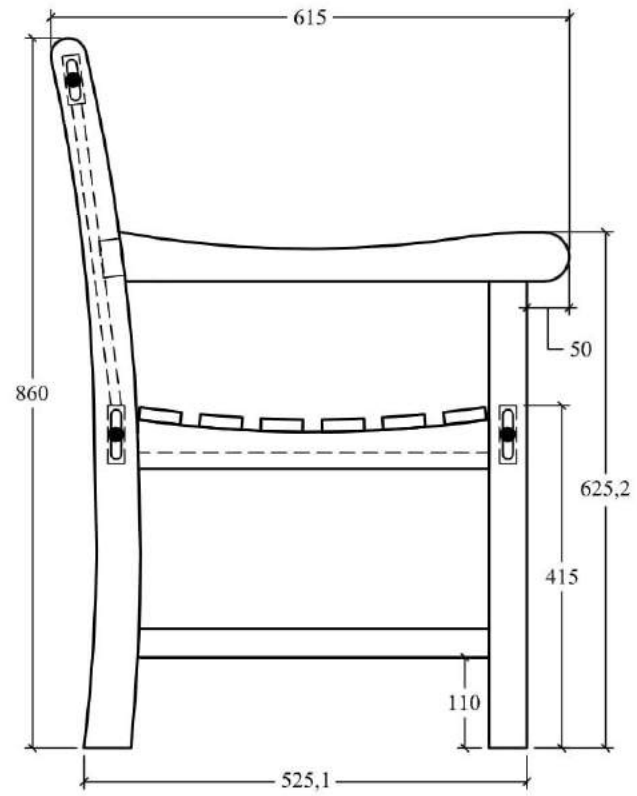
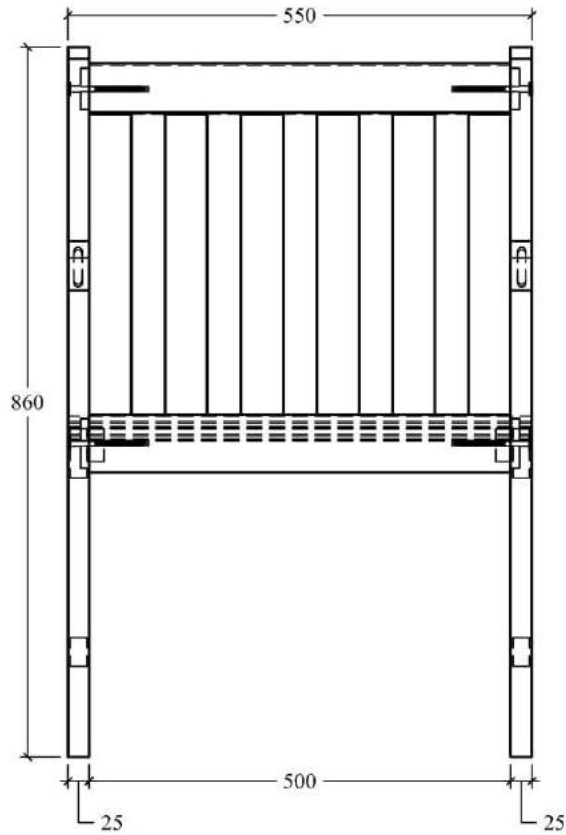
Tên chi tiết	SL/ SP	Quy cách tinh (mm)			KL tinh (m3)
		Dày	Rộng	Dài	
Chân sau	2	25	48	860	0.00206
Chân trước	2	25	44	590	0.00130
Tay vịn	2	25	60	560	0.00168
Kiềng chân dưới	2	20	35	465	0.00065
Kiềng chân trên	2	20	60	460	0.00110
Tựa đầu	1	20	60	520	0.00062
Tựa dưới	1	20	70	520	0.00073
Nan tựa	5	12	40	409	0.00098
Trước mê ngò	1	20	70	520	0.00073
Liên kết nan ngò	2	20	40	415	0.00066
Nan ngò	6	15	50	550	0.00248
Tổng :	26				0.01300

Product name: armchair

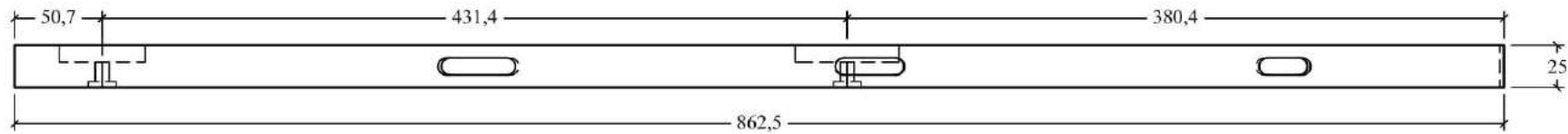
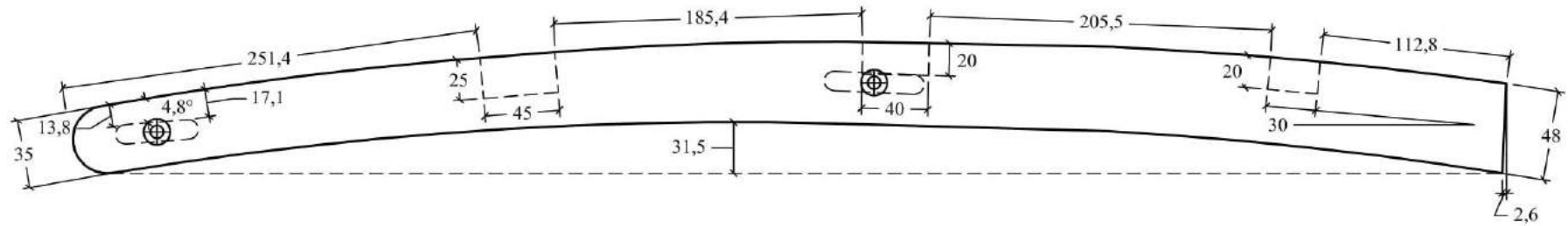
Detail:

Dimension:

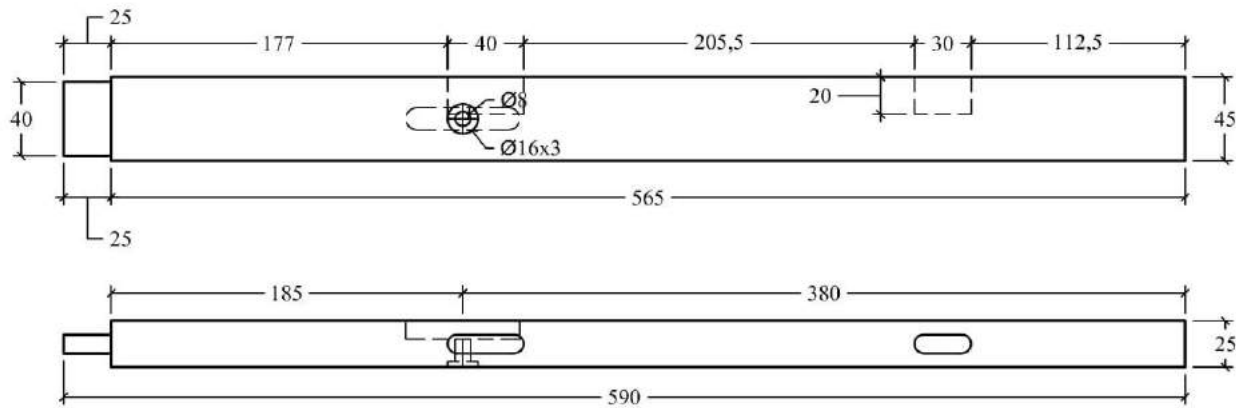
Drawing Code:	Drawn by: Lhhung	Checked by:	Material:
Update:	Designed by:	Scale: 1/5	Sheet Number:



Product name: armchair			
Detail:			
Dimension:			
Drawing Code:	Drawn by: Lhhung	Checked by:	Material:
Update:	Designed by:	Scale: 1 / 9	Sheet Number:

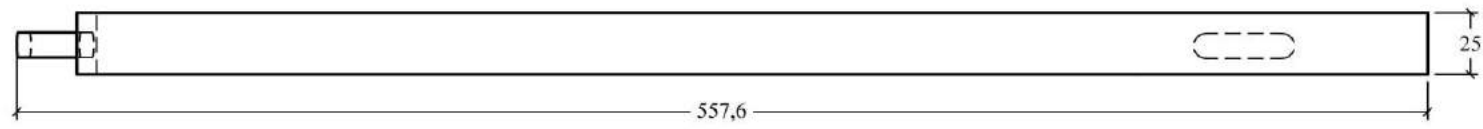
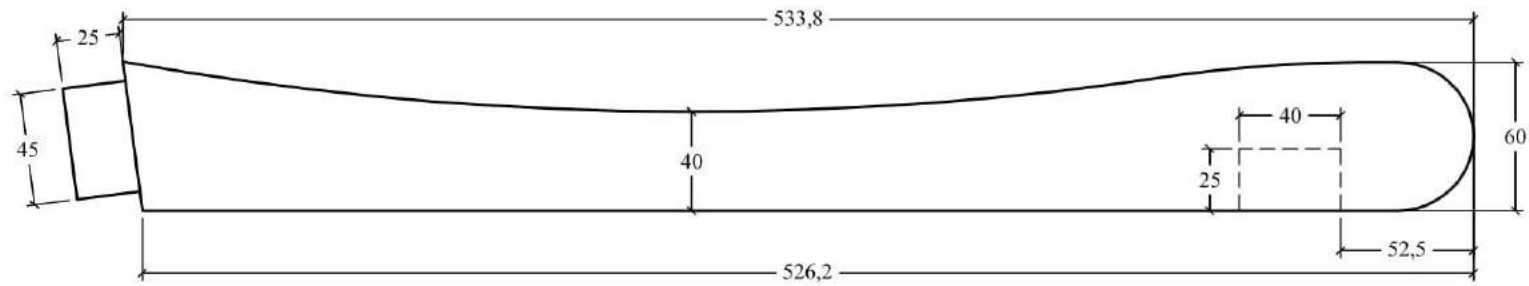


Chanh daøi, 2pcs (traøi phaøi
ñaøi xöøng)

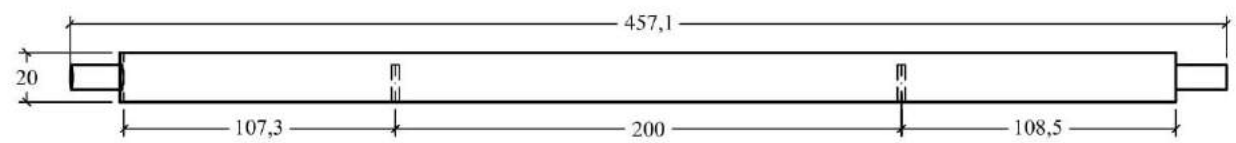
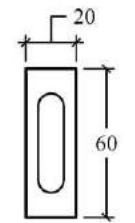
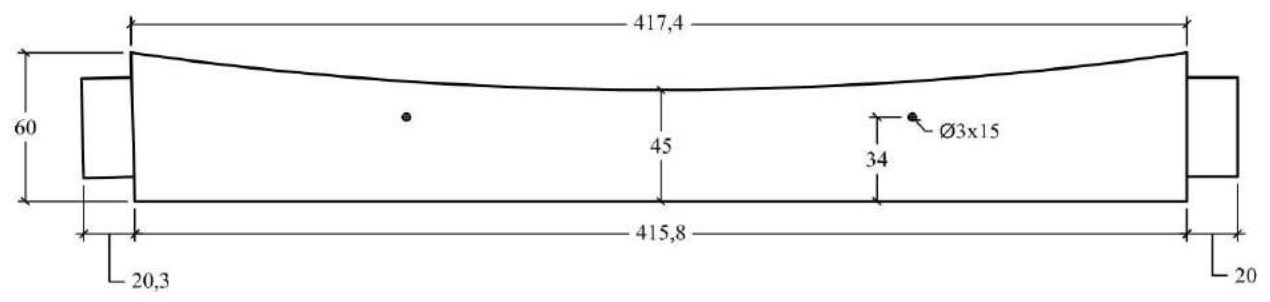


Chanh ngaén, 2pcs (traøi phaøi
ñaøi xöøng)

Product name: armchair			
Detail:			
Dimension:			
Drawing Code:	Drawn by: Lhhung	Checked by:	Material:
Update:	Designed by:	Scale: 1 / 4	Sheet Number:

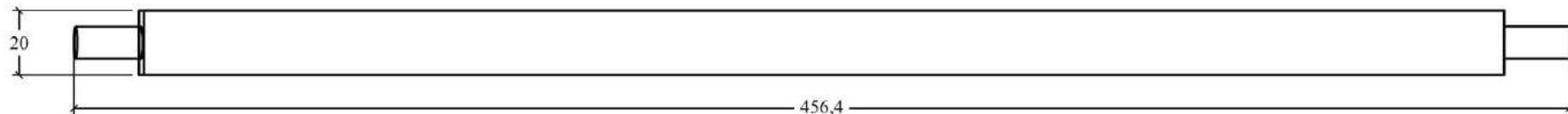
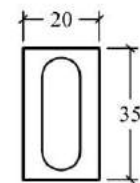
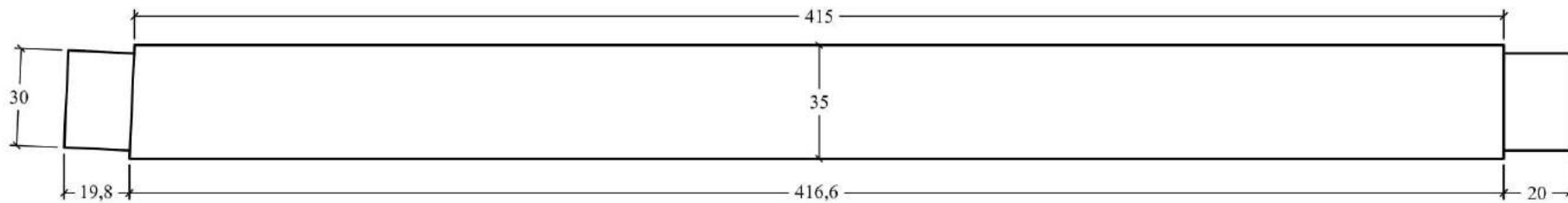


Tay vòn, 2pcs (tràùi phảùí ñoáí xõùng)

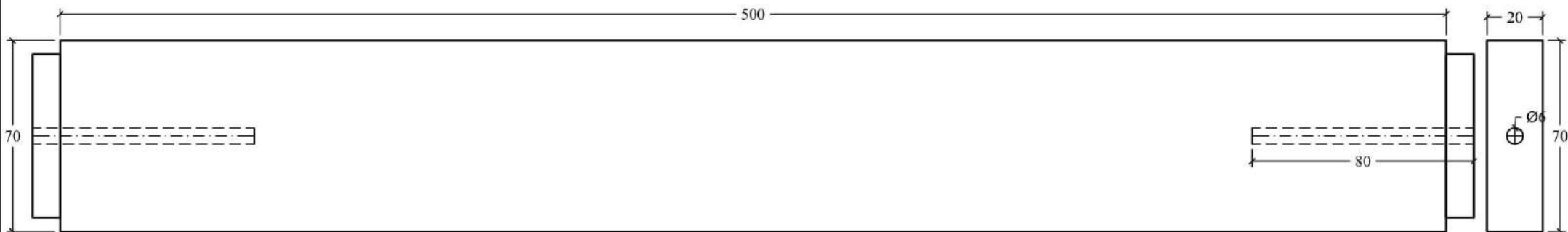


Kieõng chàõn treõn, 2pcs

Product name: armchair			
Detail:			
Dimension:			
Drawing Code:	Drawn by: Lhung	Checked by:	Material:
Update:	Designed by:	Scale: 1/3	Sheet Number:

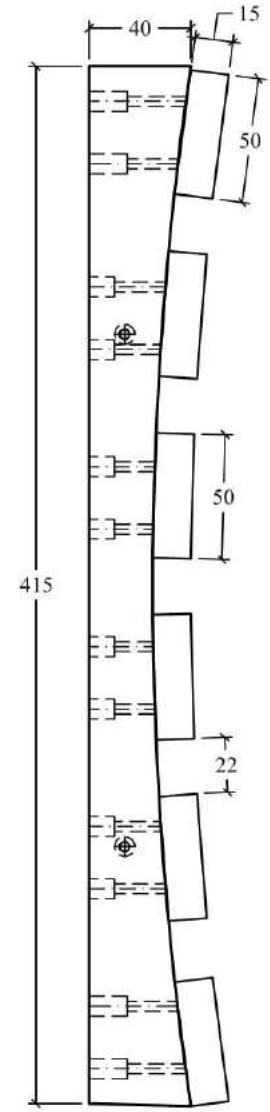
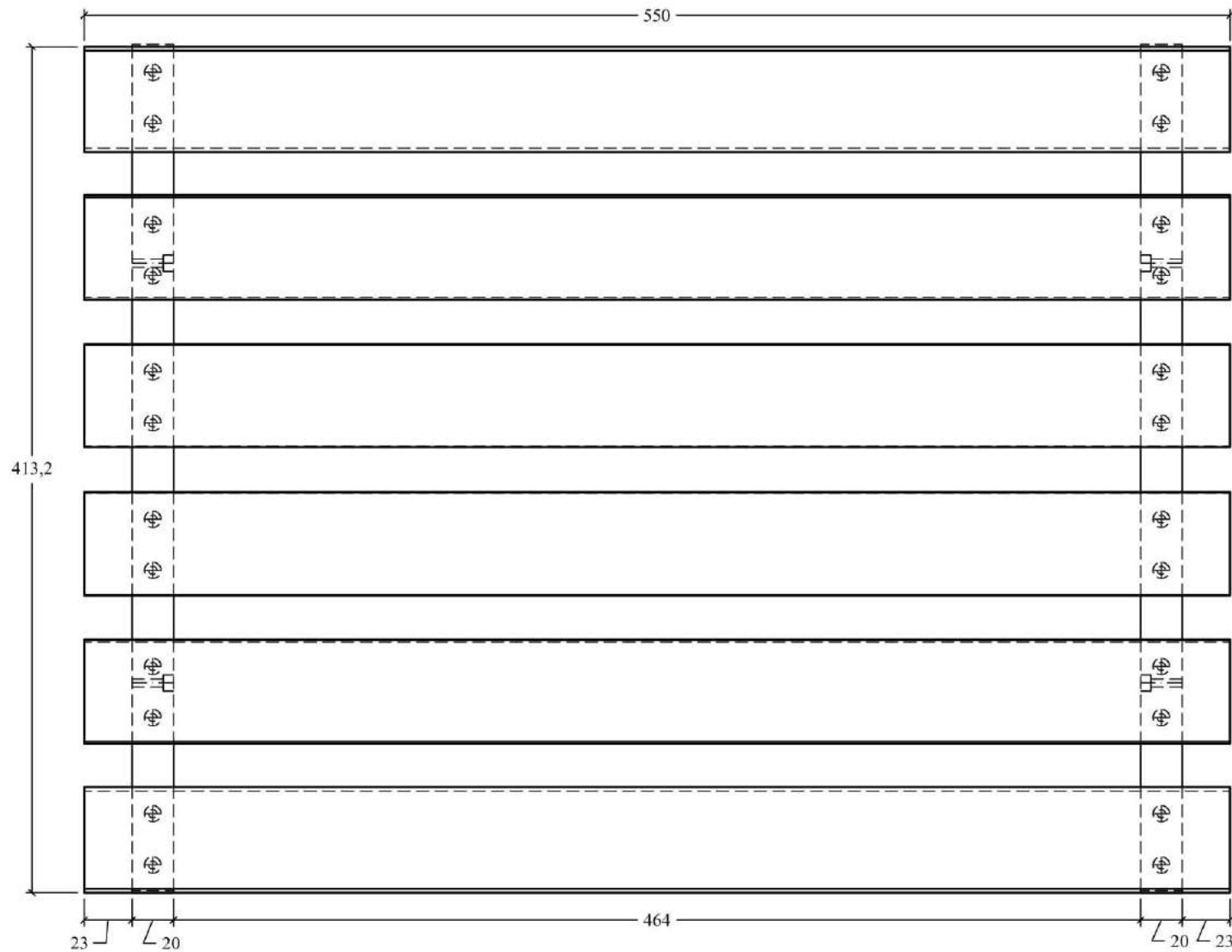


Kieàng chàân döðüi, 2pcs



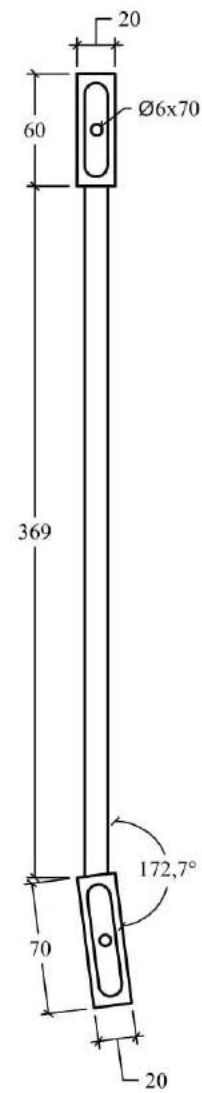
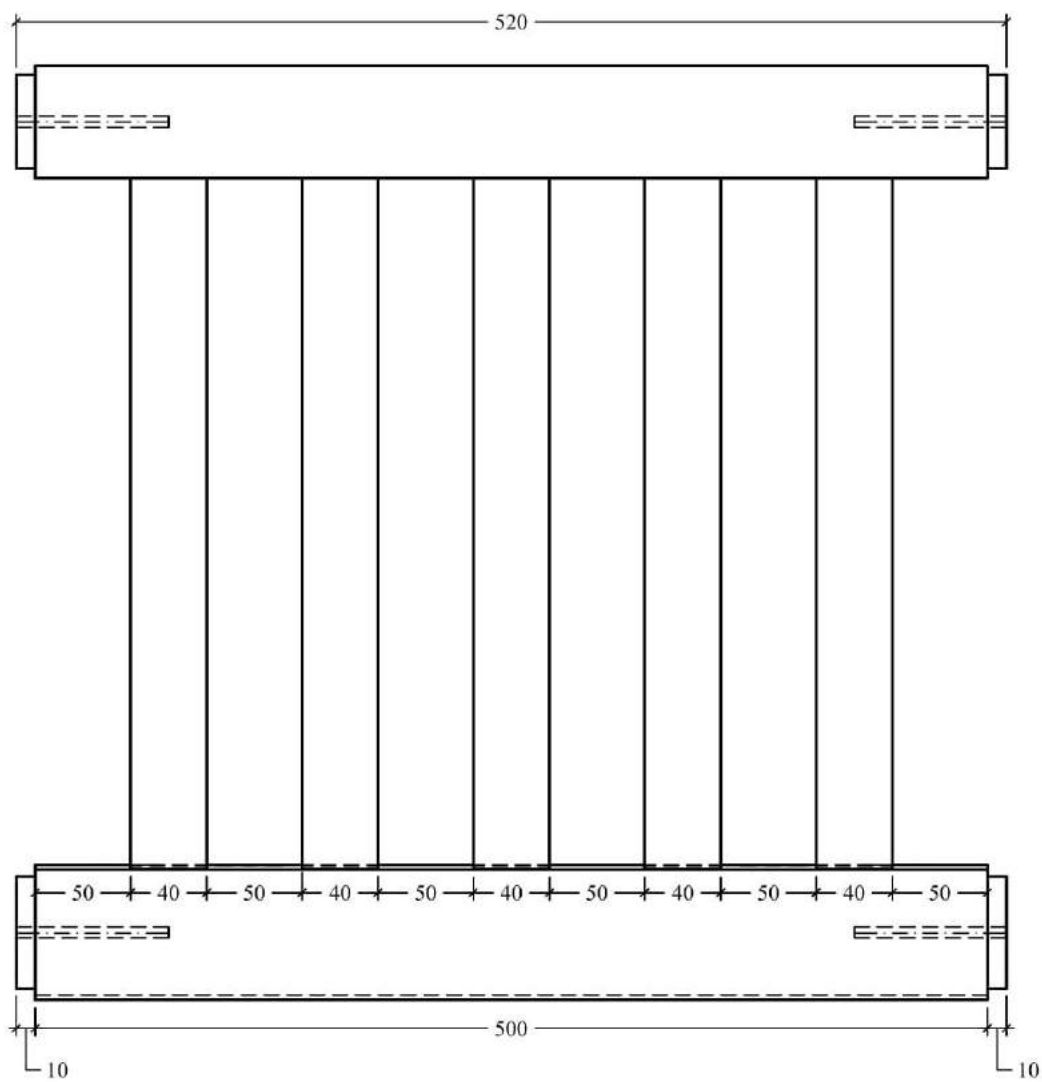
Tröðüc meâ ngöäi, 1pc

Product name: armchair			
Detail:			
Dimension:			
Drawing Code:	Drawn by: Lhung	Checked by:	Material:
Update:	Designed by:	Scale: 1 / 2	Sheet Number:





Meô ngoàì

Product name: armchair			
Detail:			
Dimension:			
Drawing Code:	Drawn by: Lhuug	Checked by:	Material:
Update:	Designed by:	Scale: 1 / 3	Sheet Number:



Meätõia

Product name: armchair			
Detail:			
Dimension:			
Drawing Code:	Drawn by: Lhhung	Checked by:	Material:
Update:	Designed by:	Scale: 1 / 4	Sheet Number:

Item	Name	Q.ty	Describe
A	F - Screw 7x70	6	
B	C-Screw 4x30	4	
C	Allen Key	2	