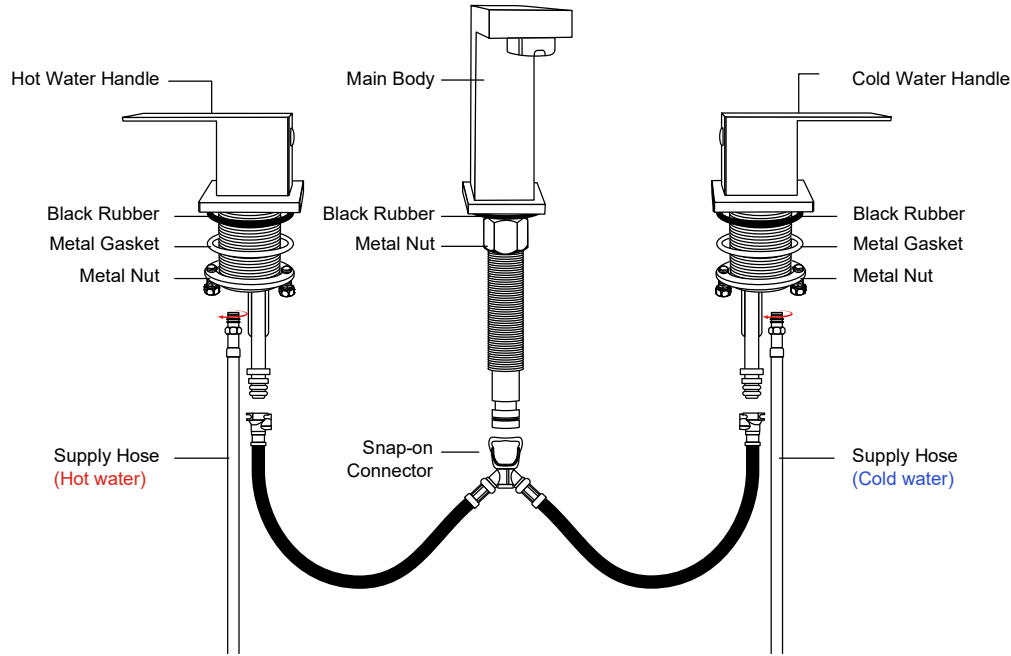
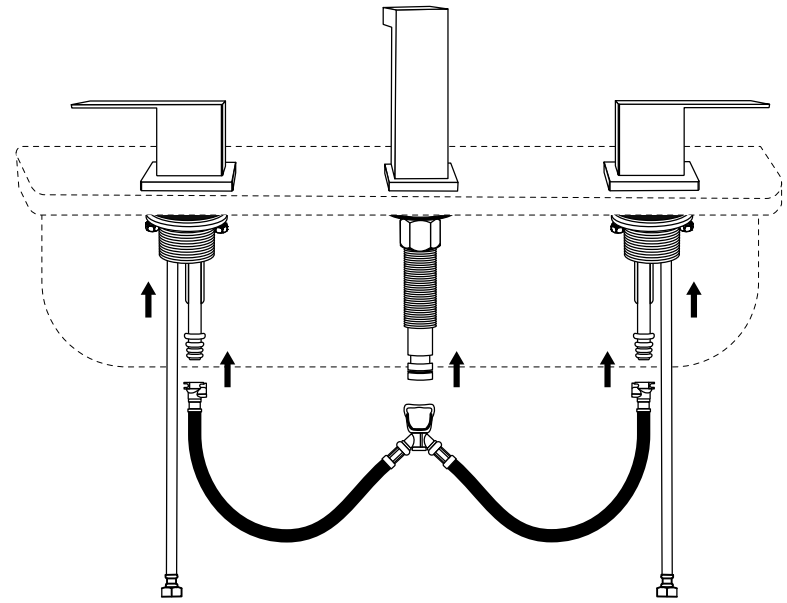


Installation Rendering



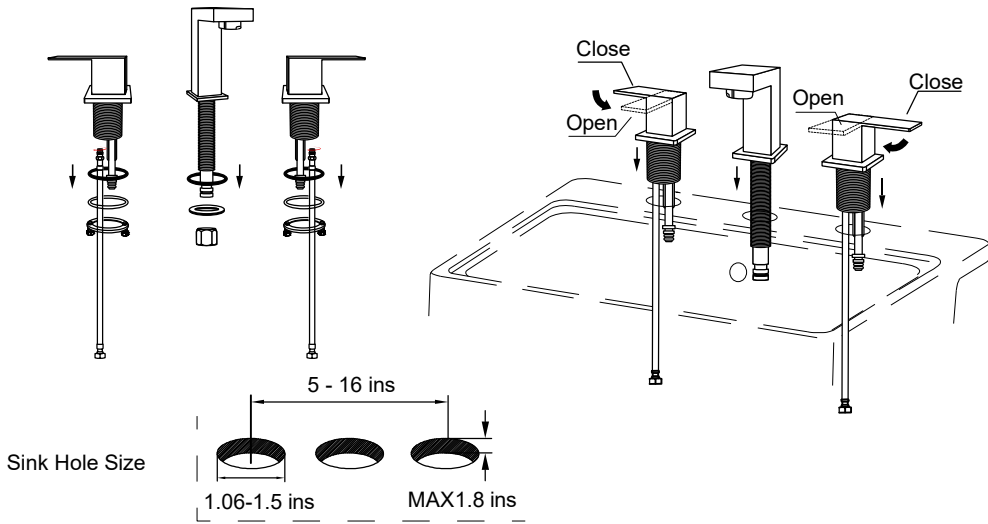
Notice: Must make sure all the pre-installed water hoses are tightened while installing. If not, tighten clockwise.

B



Connect the faucet and handle hoses with the snap-on connector.
Notice: When you hear a "click", it means the snap-on connector installation is successful.

A

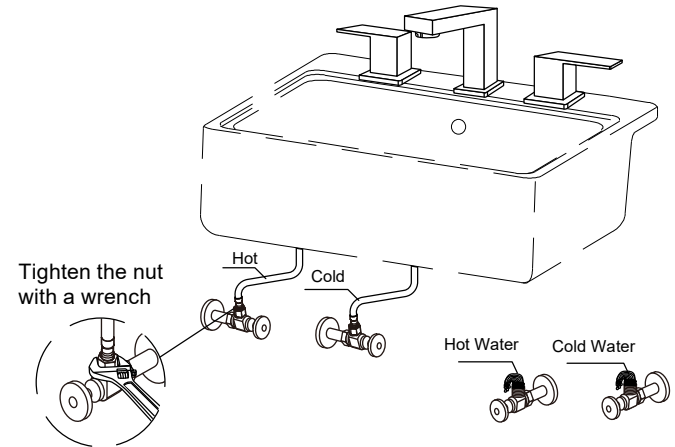


1. Remove the rubber rings and metal nuts from the main faucet and the hot and cold water faucets
2. Insert the faucet through the basin hole.

Notice: Please note the hot(Left) and cold(Right) handles need to turn to their respective sides to ensure they are closed.

C

- Notice:**
1. Avoid the angle valves damage caused by excessive force.
 2. The supply hoses MUST NOT be kinked excessively when connecting to the angle valve, otherwise it will affect the water flow.



1. Open the angle valve to discharge the sewage.
2. Tighten the hot and cold supply water hoses on the angle valve.
3. Open the hot & cold handles to check if the faucet is working properly or any leaks.

Installation finished.