

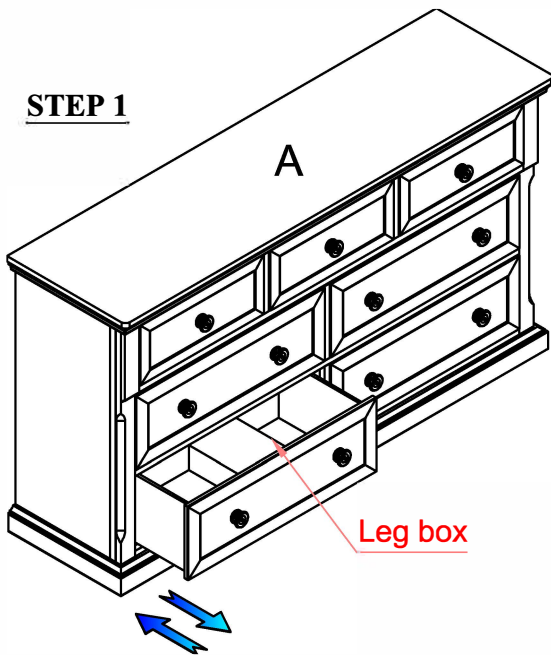
ASSEMBLY INSTRUCTIONS

DRESSER

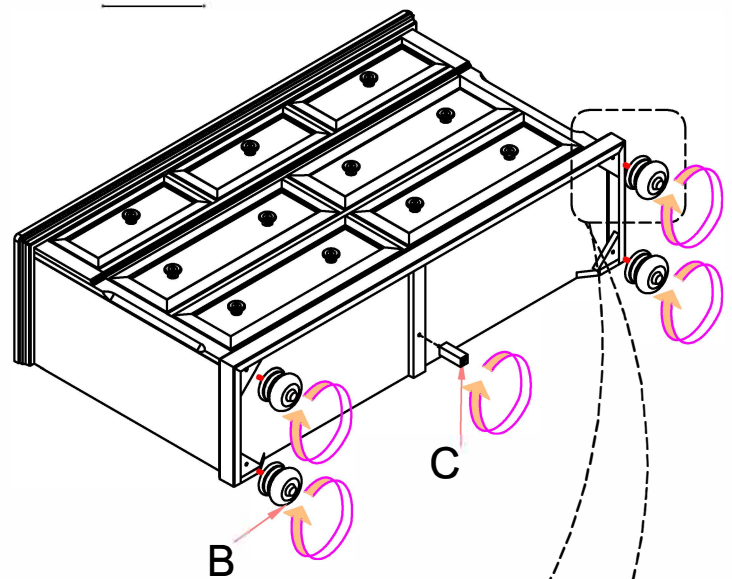
**NOTE: THIS ITEM NOT RECOMMENDED FOR COMMERCIAL USE
KEEP THIS DOCUMENT FOR REFERENCE IN CASE PARTS ARE NEEDED
DO NOT TIGHTEN SCREWS UNTIL COMPLETELY ASSEMBLED! !**

No	DESCRIPTION		Q'TY
A	DRESSER SIZE	60" X 18" X 34-1/2"	1PC
B	LEG SIZE	4-3/8" X 4-3/8" X 3-1/2"	4PCS
C	ADJUST LEVEL LEG SIZE	3-1/2" X 1-1/4" X 1-1/4"	1PC

STEP 1



STEP 2



★ Remark: there is a tip restraint kit provided on the back of this product. Please read the directions thoroughly and install immediately when placed in home

STEP 3

