

ASSEMBLY INSTRUCTIONS

ASSEMBLY TIPS:


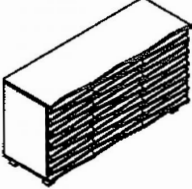

- 1.Remove hardware from box and sort by size.
- 2.please check to see that all hardware and parts are present prior to start of assembly.
- 3.please follow attached instructions in the same sequence as numbered to assure fast & easy assembly.









Warning I

- 1.Don't attempt to repair or modify parts that are broken or defective. please contact the store immediately.
- 2.This product is for home use only and not intended for commercial establishment.

PARTS IDENTIFICATION:

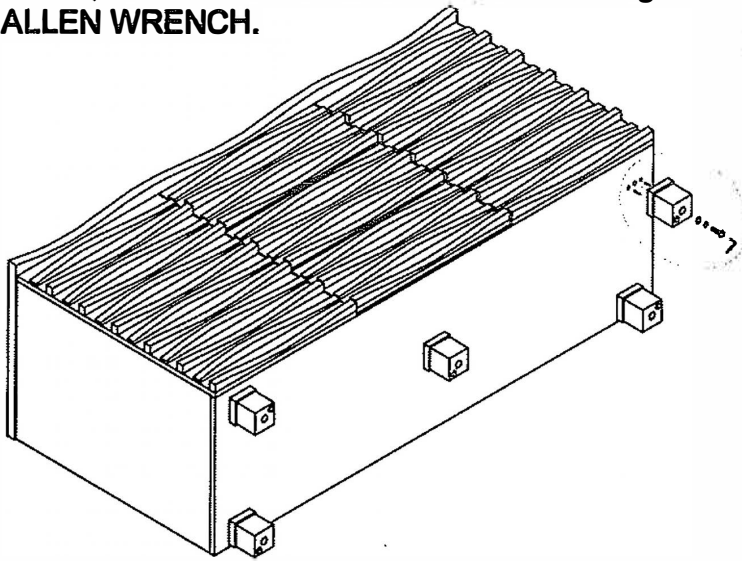
- A . LEG  5 PCS
- B . SERVER  1 PC
- C . SHELF  2 PCS

Z HARDWARE PACKAGE:

NO	DESCRIPTION	FIGURE	QTY
1	SHELF SUPPORT		8 PCS
2	BOLT		5 PCS
3	LOCK WASHER		5 PCS
4	FLAT WASHER		5 PCS
5	ALLEN WRENCH		1 PC
6	WOODEN DOWEL		10 PCS

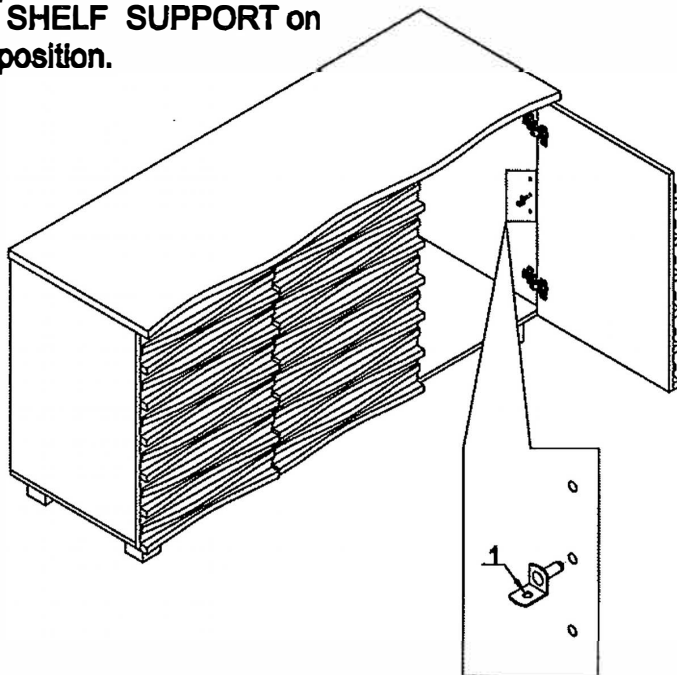
STEP 1

Set the LEGS underneath the SERVER. USE FLAT WASHER, LOCK WASHER and BOLT to fasten tight by ALLEN WRENCH.



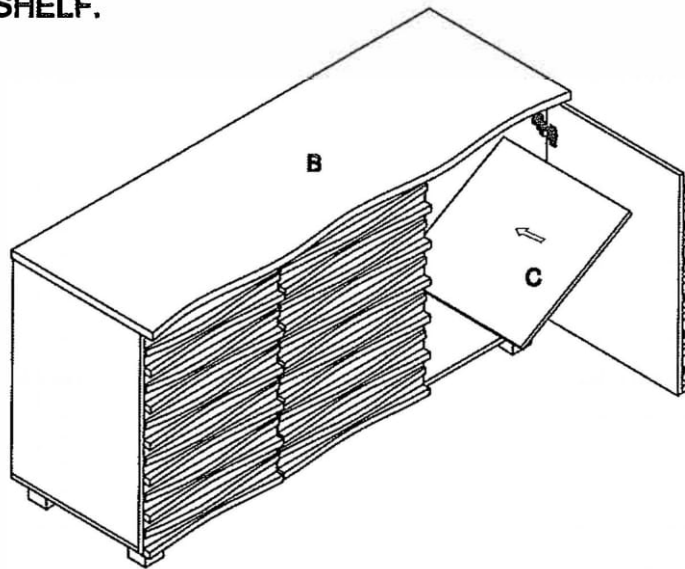
STEP 2

Set the SHELF SUPPORT on proper position.



STEP 3

Place on the SHELF.



STEP 4

Assembly complete.

