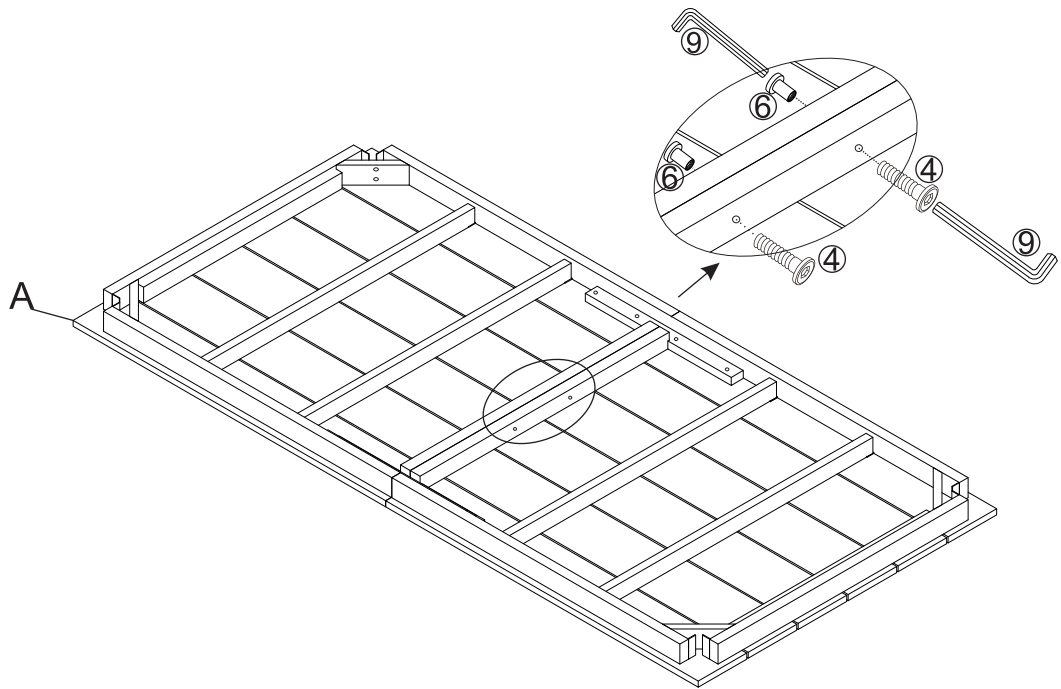


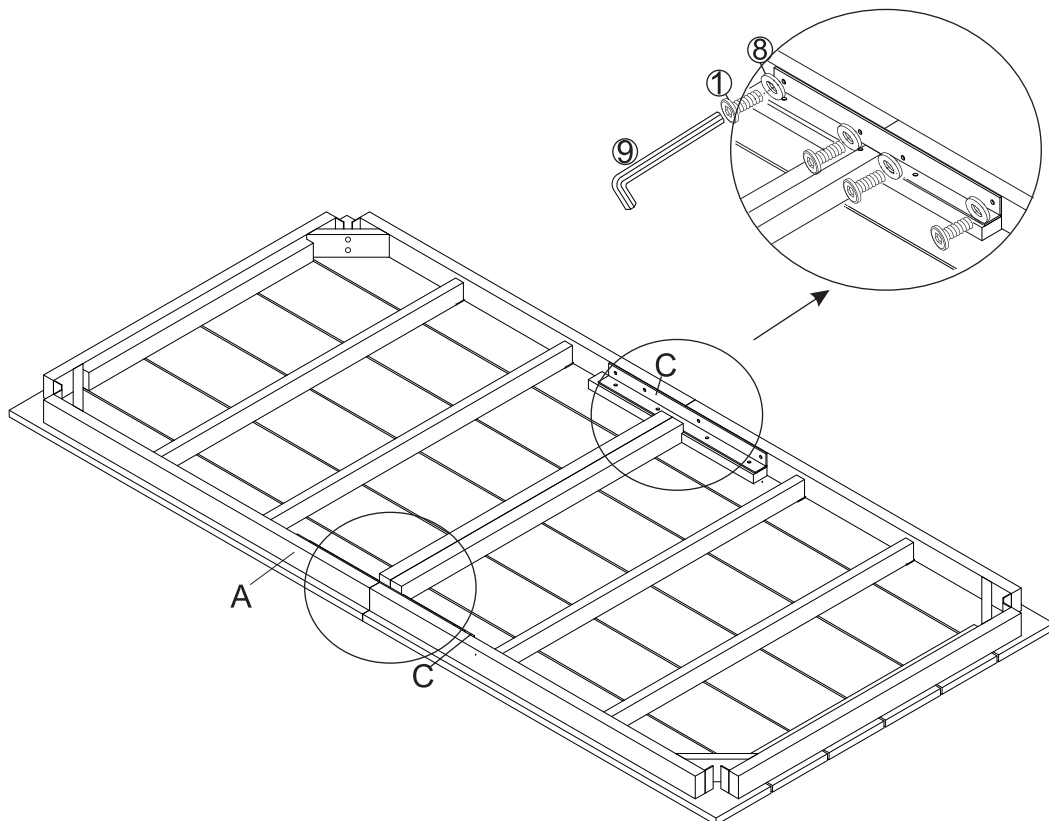
## Assembly Steps

### Step 3



Secure Table Top (A) using the Bolts (④), Sleeve Nut (6) and Allen Key (⑨) as shown in the picture.  
**Do not fully tighten the Bolts.**

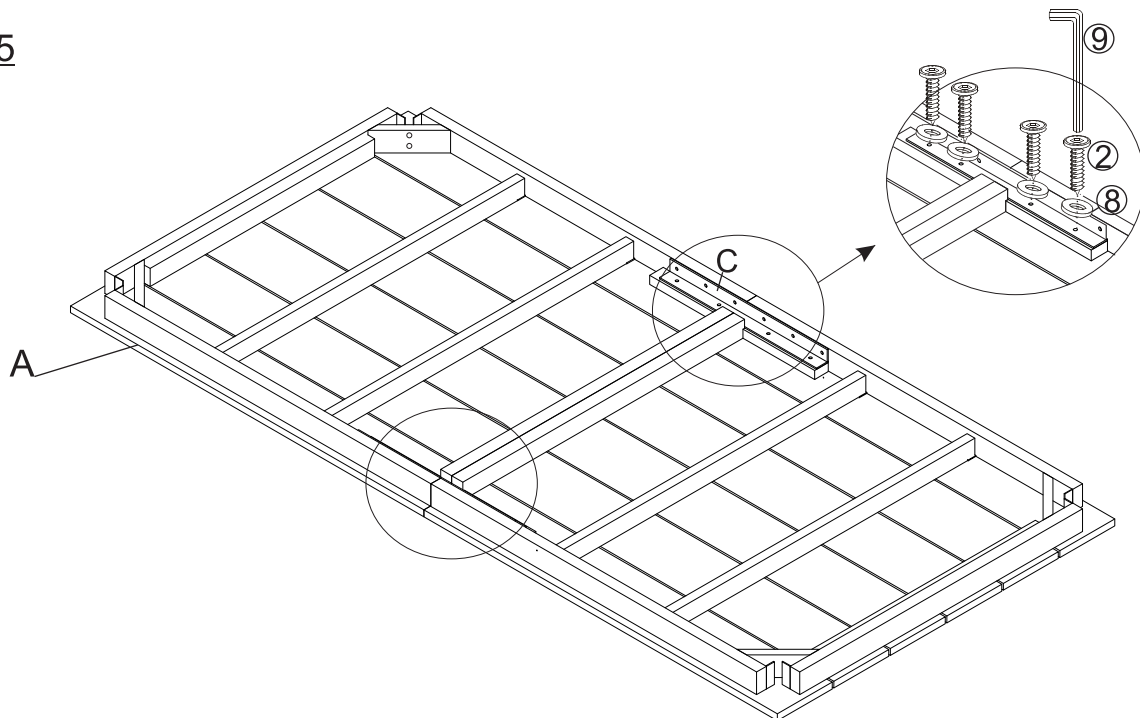
### Step 4



Place Support Bar (C) to the housings of Table Top (A) secure by using the Bolts (①) with Washer (⑧), and Allen Key (⑨) as show in picture above.  
Repeat the same process with the other Support Bar (C)  
**Do not fully tighten the Bolts**

## Assembly Steps

### Step 5

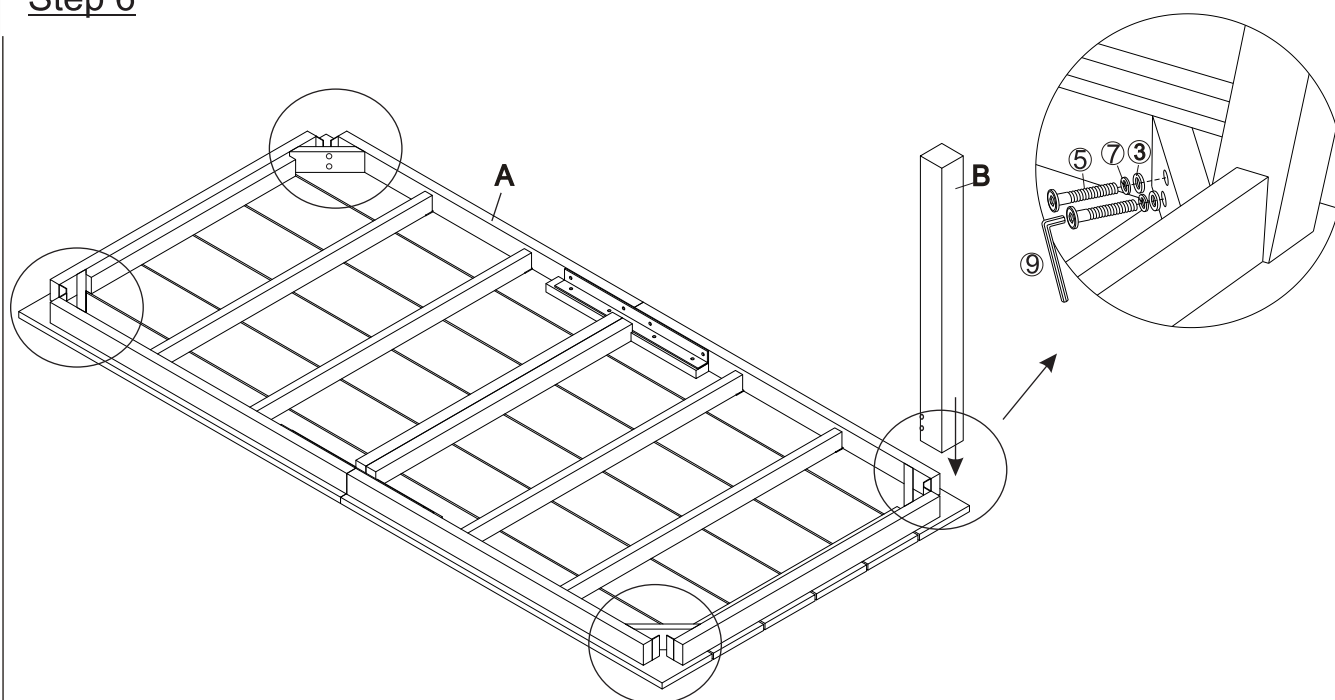


Secure Support Bar (C) to Table Top (A) using the Screws (②), Washer (⑧) and Allen Key (⑨) as shown in the picture.

Repeat the same process with the other Support Bar (C)

**Do not fully tighten the Screws.**

### Step 6

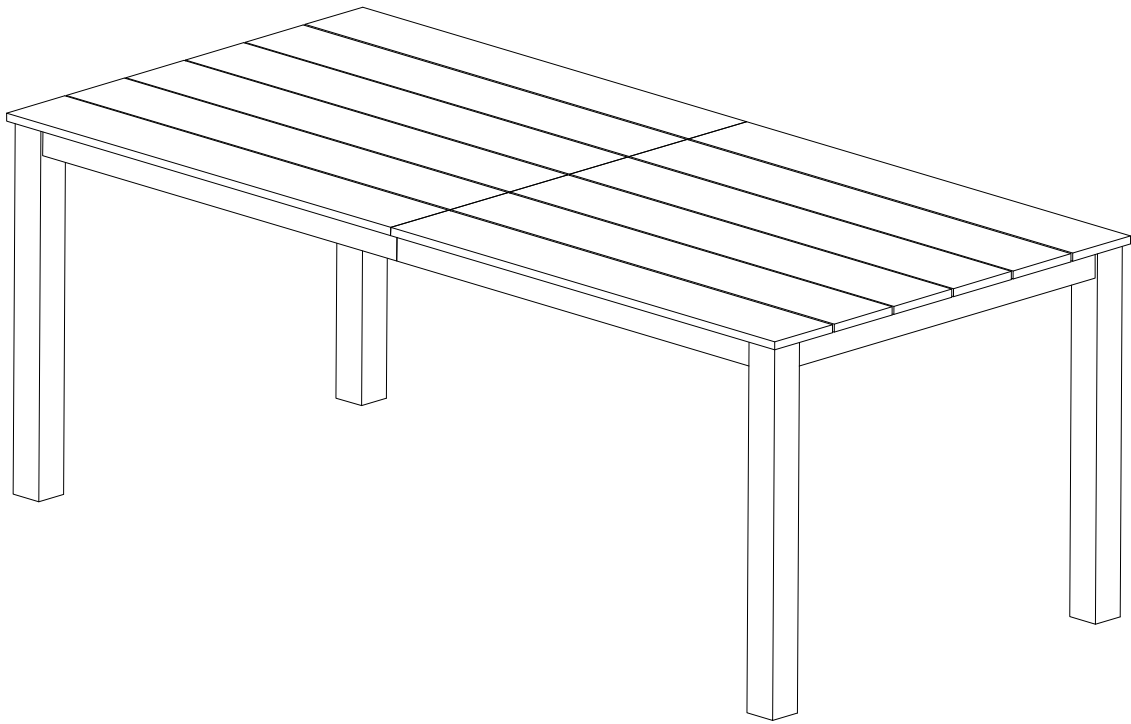


Attach the Legs (B) into the mounting position at the corners of the Table Top (A), using the Bolts (⑤) with Spring Washers (⑦), Washers (③) and Allen Key (⑨) as shown in the picture.

**Do not fully tighten the Bolts.**

## Assembly Steps










### Step 7



With assistance from your adult partners, Turn the Table right side up. Inspect it and make sure all parts are adequately connected. Check to ensure there is NO WOBBLINESS. In a sequential manner, ensure all bolts and screws are fully locked into position and secured. CAUTION: When tightening these screws and bolts, tighten sequentially. DO NOT tighten any screw and bolt fully and then towards the next one. This would cause the frame to warp. If there is still wobbles, loosen the screws ,bolts and execute this same drop tests. WARNING !! IF TABLE IS NOT STABLE, IT COULD LEAD TO DAMAGING THE PRODUCT.

**Ensure all screws and bolts are fully locked into position.**  
**The Table is ready to be used.**  
**Caution: This Table can only be used on flat, level surface.**

## Care & Maintenance

-   Do not put hot items directly on furniture surface.
-   Do not clean furniture with harsh cleansers or polish.
-   To obtain the longest lifespan of your outdoor products, minimizing exposure to direct sunlight is recommended.
-   Children should not climb or jump on the furniture.
-   Do not write on furniture without a padded barrier to protect the surface.
-   To obtain the longest lifespan of your outdoor products, avoid extended and lengthy exposure to rain, snow, and direct sunshine. Whenever possible cover the product and /or place under patio or awnings.
-   Not for commercial use. For residential use only
-   Stains may be removed with mild soap solution and damp cloth.
-   Dust and pick-up spills using a clean, non-colored, lint-free cloth.