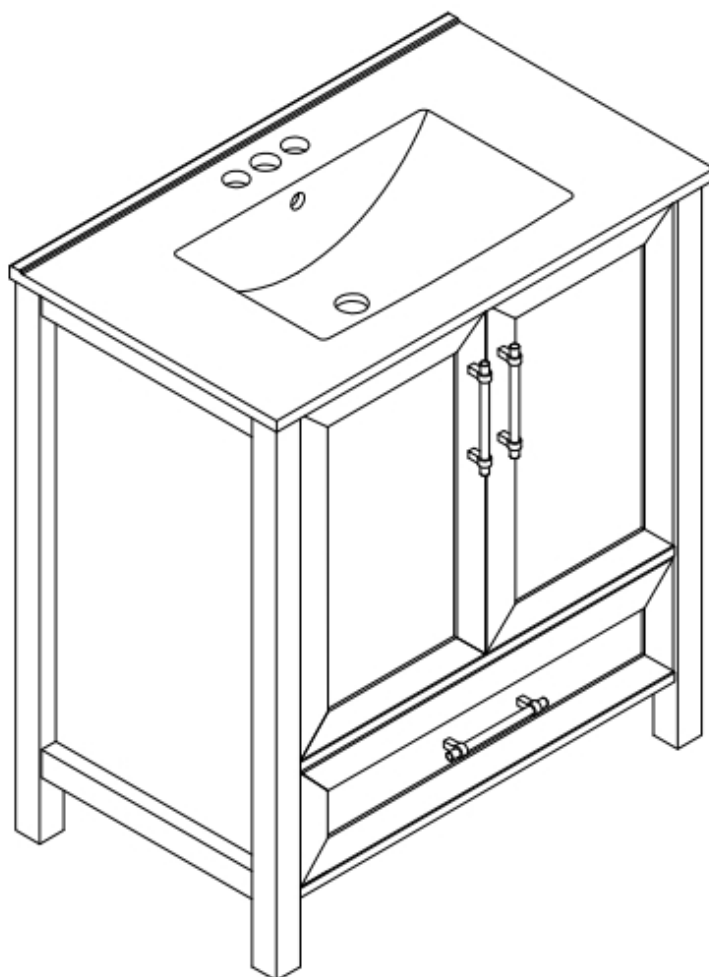


bathroom vanity

Product ID. QBUXA



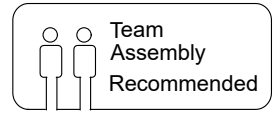
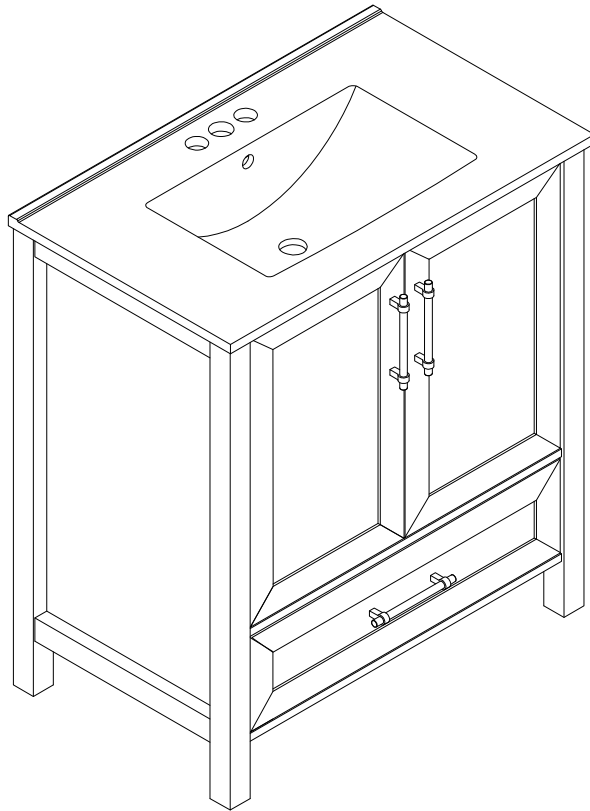
Scan for Support
support@garvee.com



SPU: PHK-36RP

LOT NO.: RB-NO.1

Installation Manual



Trouble shooting:

Missing / Wrong / Broken parts and installation issues



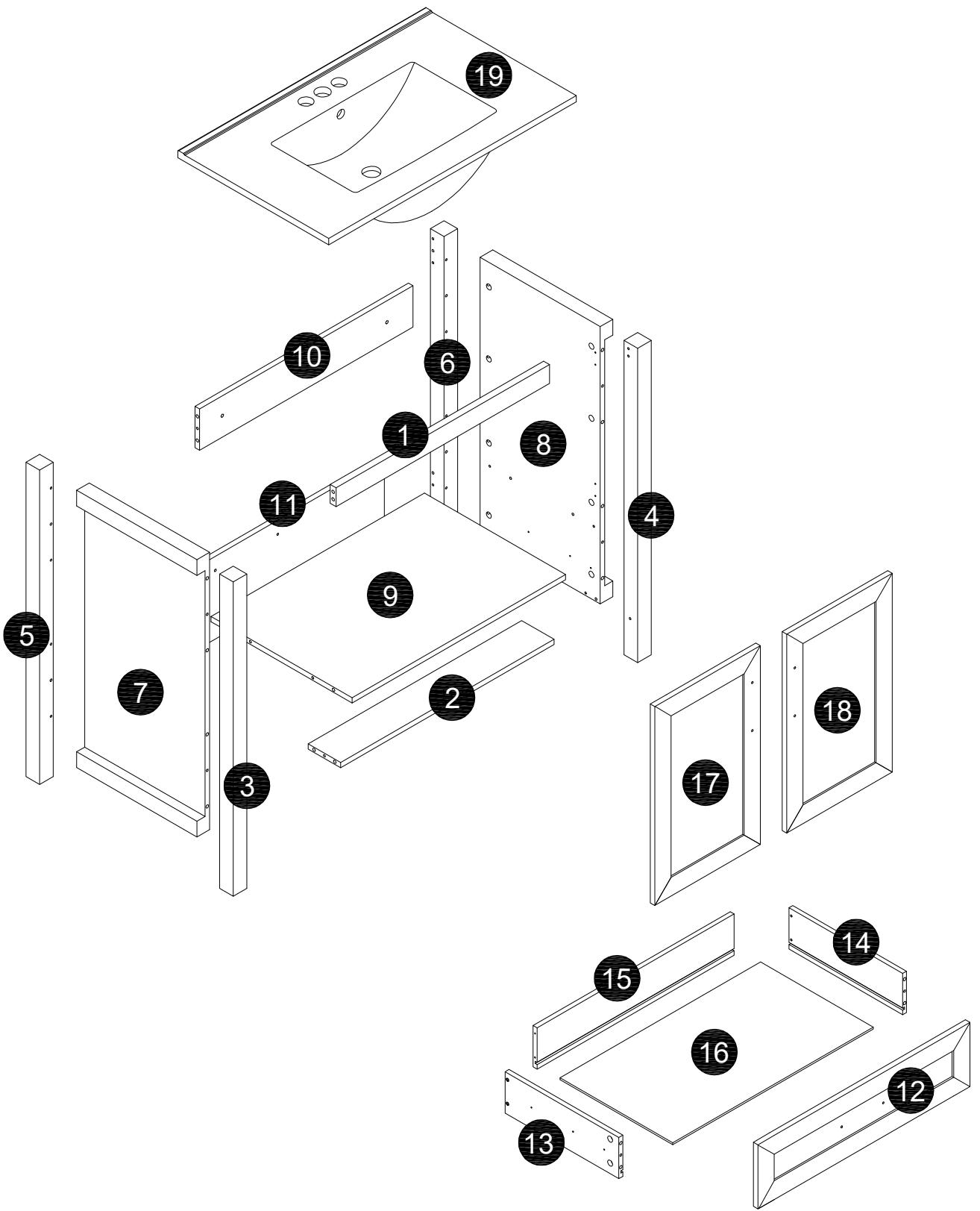
Send email with your question, pic and order NO. to
support@garvee.com



Respond within 24 hours

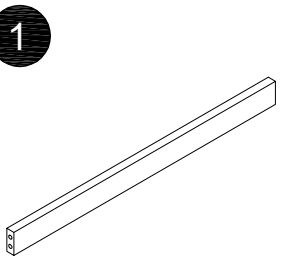
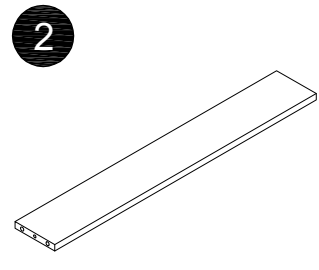
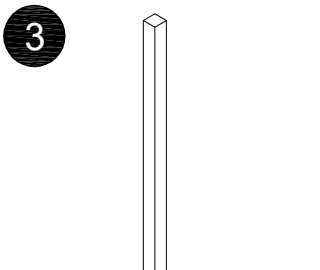
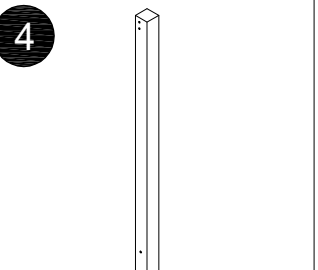
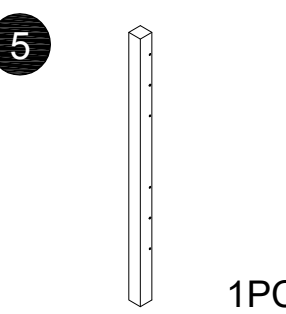
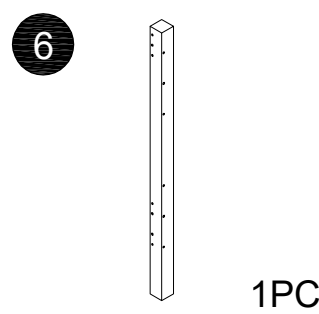
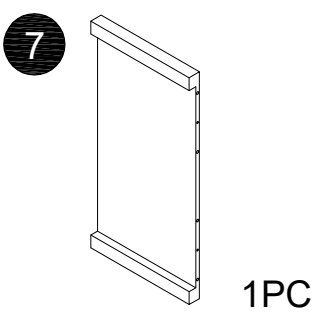
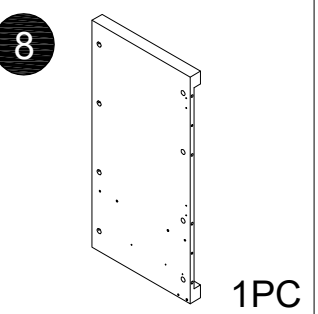
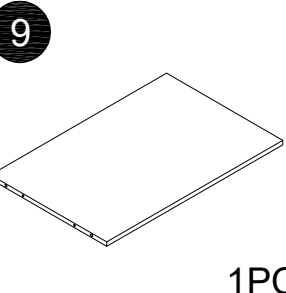
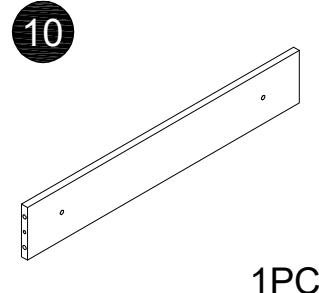
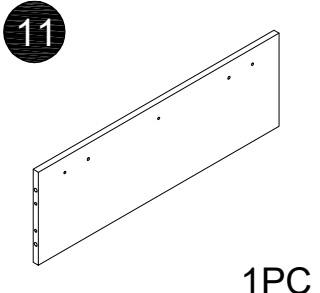
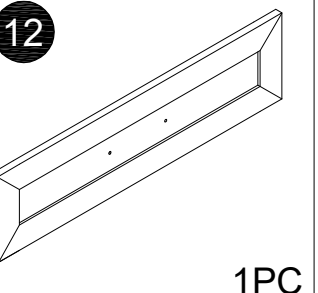
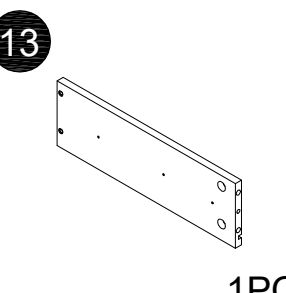
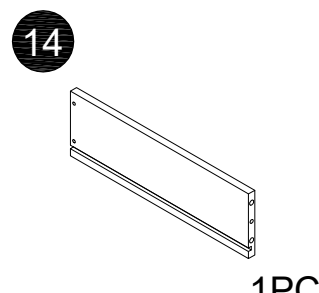
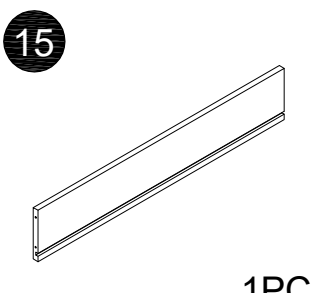
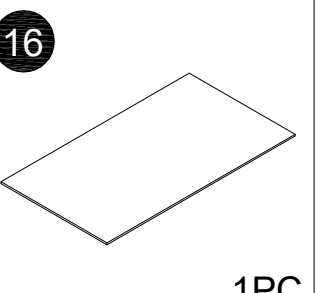
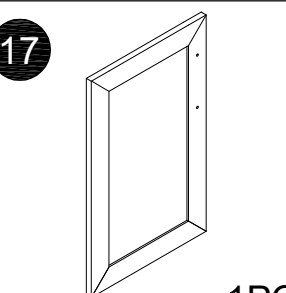
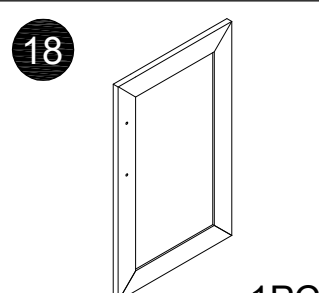
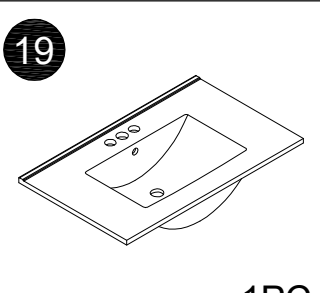


Issue resolved



Note: Don't tighten all screws during installation.

Componets

 1 1PC	 2 1PC	 3 1PC	 4 1PC
 5 1PC	 6 1PC	 7 1PC	 8 1PC
 9 1PC	 10 1PC	 11 1PC	 12 1PC
 13 1PC	 14 1PC	 15 1PC	 16 1PC
 17 1PC	 18 1PC	 19 1PC	



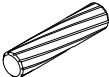
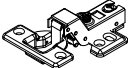
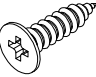
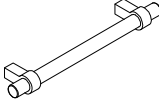

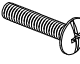

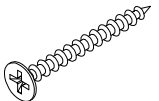

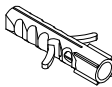
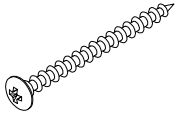
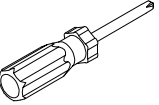
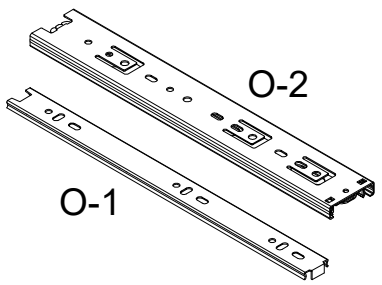
Check all the components & screws before assembly.

Do not install in case part is missing, contact us to get.

Send email with your question to **support@garvee.com**

We will resend within 24 hours.

Screws & Tools

<p>(A) X43+1</p>  <p>Ø6x34mm</p>	<p>(B) X43+1</p>  <p>Ø15x9.5mm</p>	<p>(C) X24+1</p>  <p>Ø6x30mm</p>	<p>(D) X4</p>  <p>Ø35mm</p>
<p>(E) X24+1</p>  <p>Ø8x15mm</p>	<p>(F) X3</p> 	<p>(G) X2</p>  <p>Ø5/32"x9mm</p>	<p>(H) X4</p>  <p>Ø5/32"x19mm</p>
<p>(I) X12</p>  <p>Ø4x10mm</p>	<p>(J) X4</p>  <p>Ø8x35mm</p>	<p>(K) X4</p> 	<p>(L) X2</p>  <p>Ø8*40mm</p>
<p>(M) X2</p>  <p>Ø5x55mm</p>	<p>(N) X1</p> 		
<p>(O) X1SET</p>  <p>O-1</p> <p>O-2</p> <p>12"x45mm</p> <p>Accessories</p>			

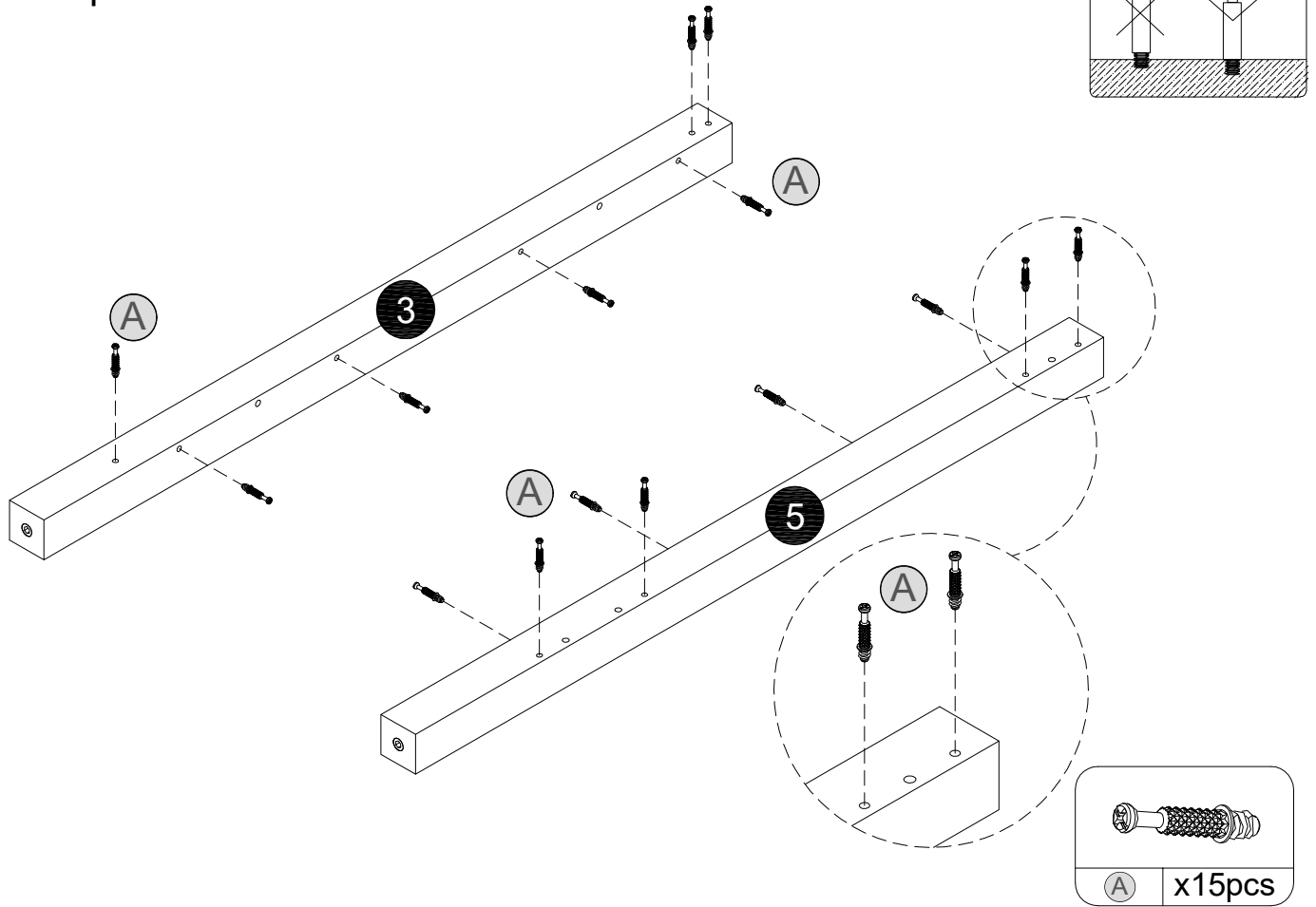
Check all the components & screws before assembly.

Do not install in case part is missing, contact us to get.

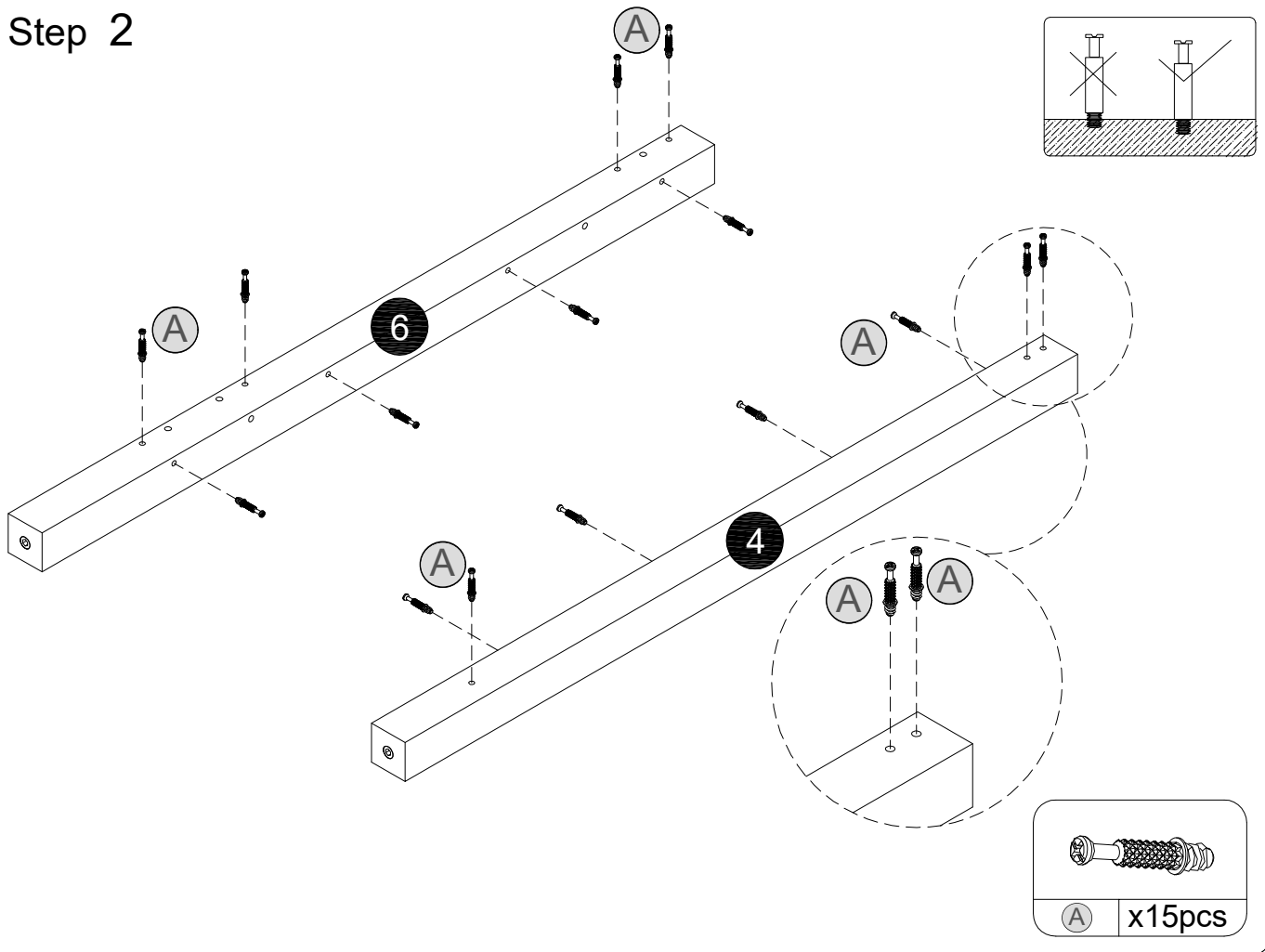
Send email with your question to support@garvee.com

We will resend within 24 hours.

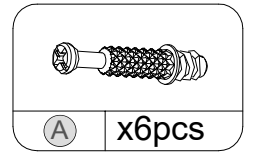
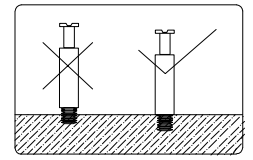
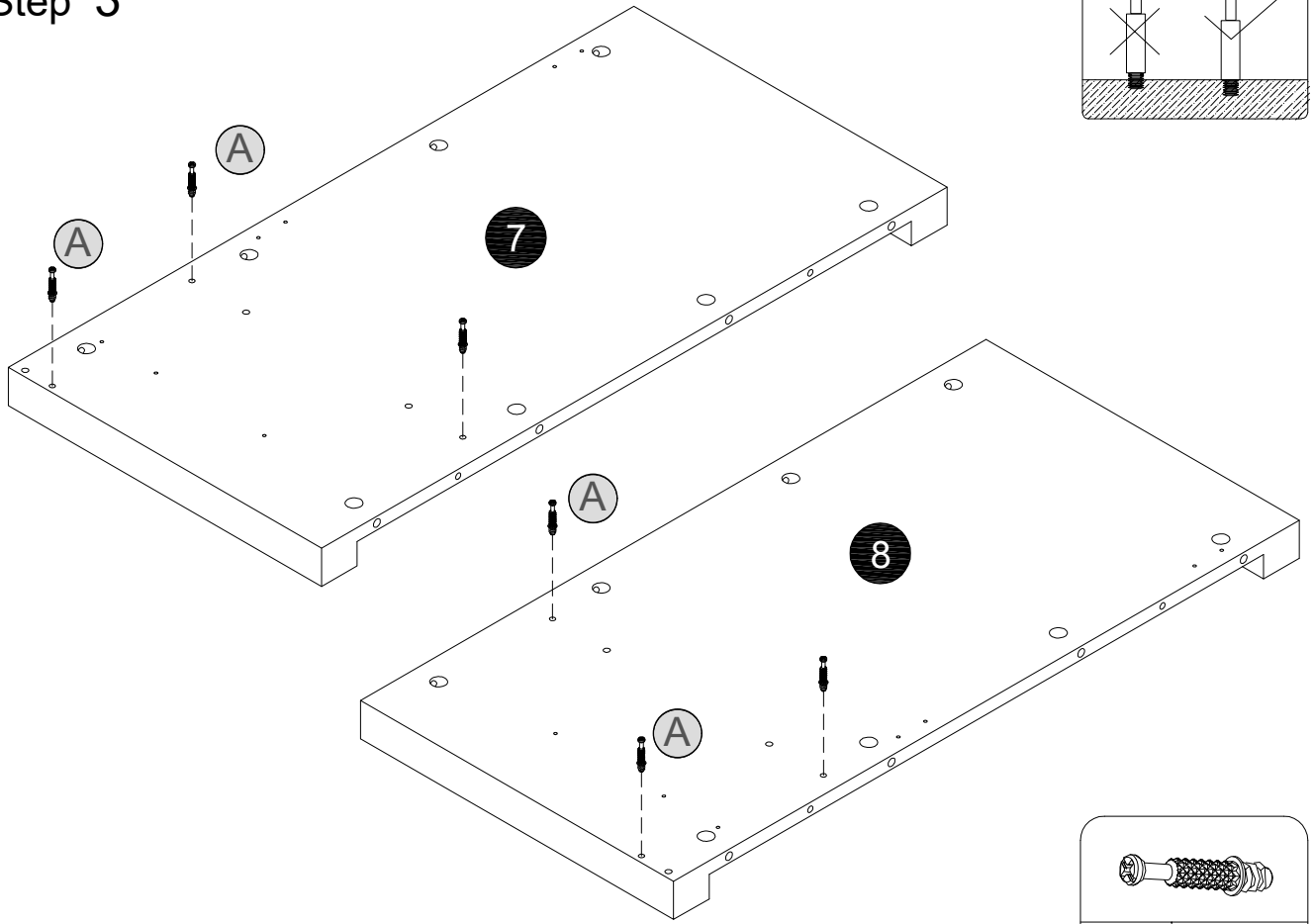
Step 1



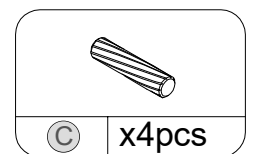
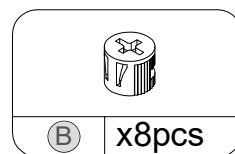
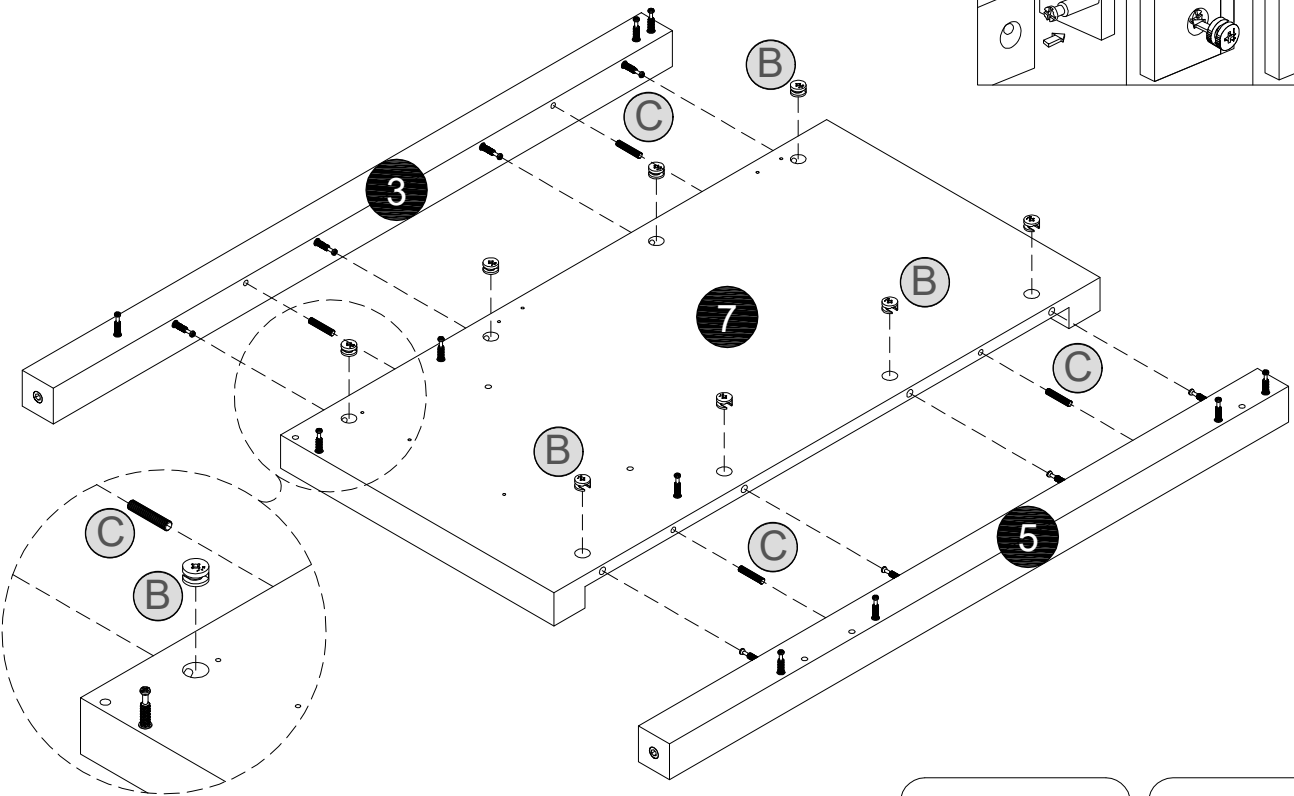
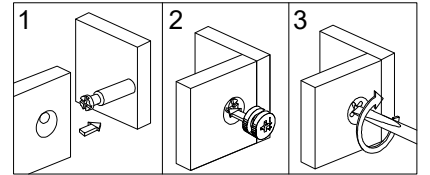
Step 2



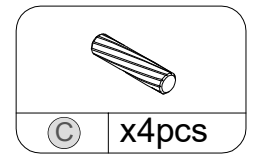
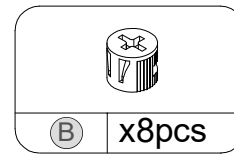
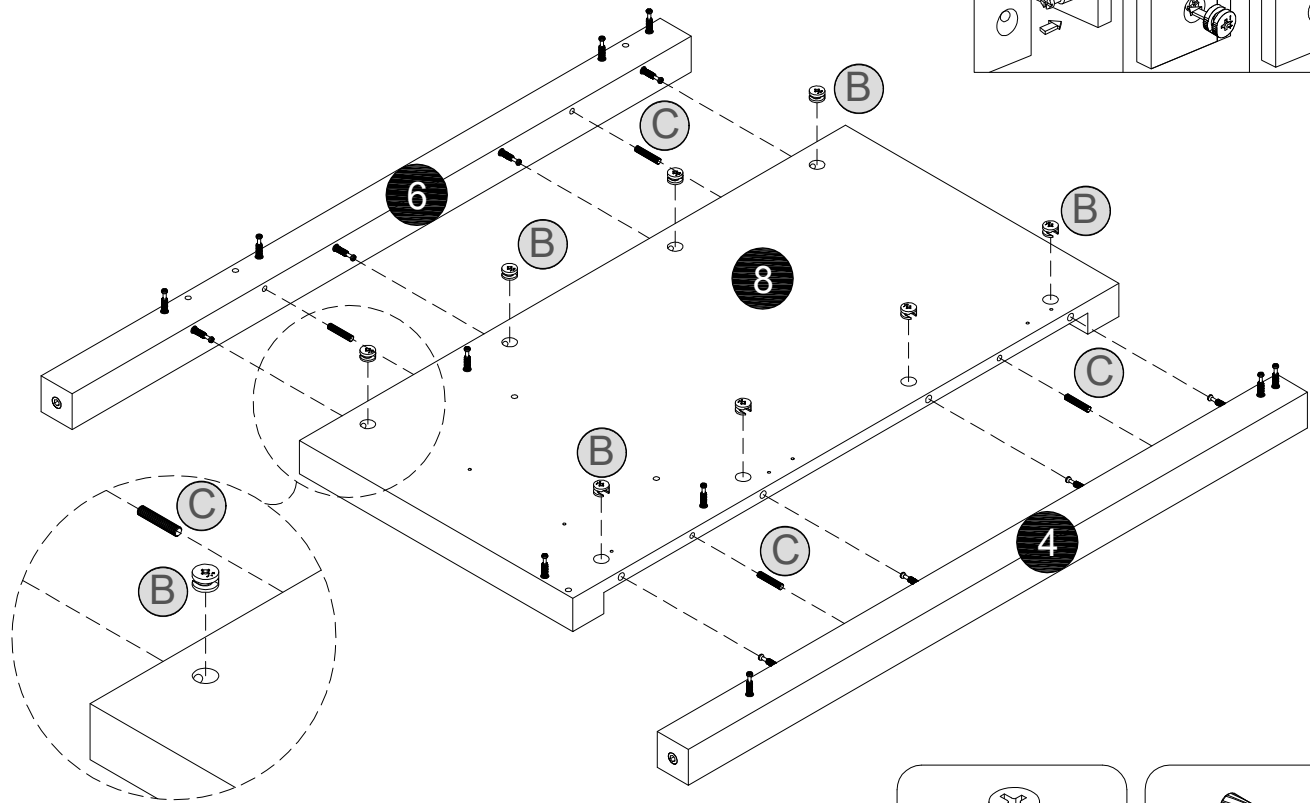
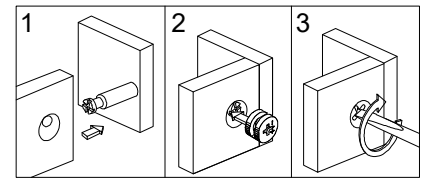
Step 3



Step 4



Step 5

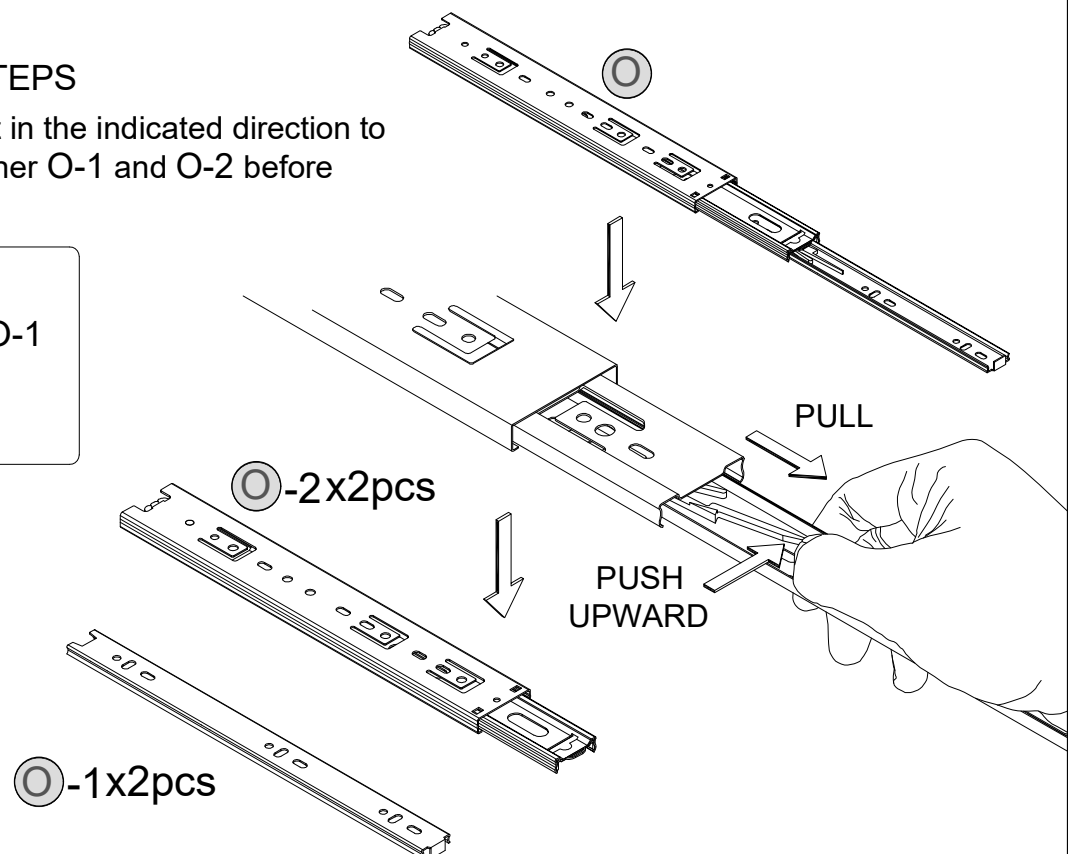


Step 6

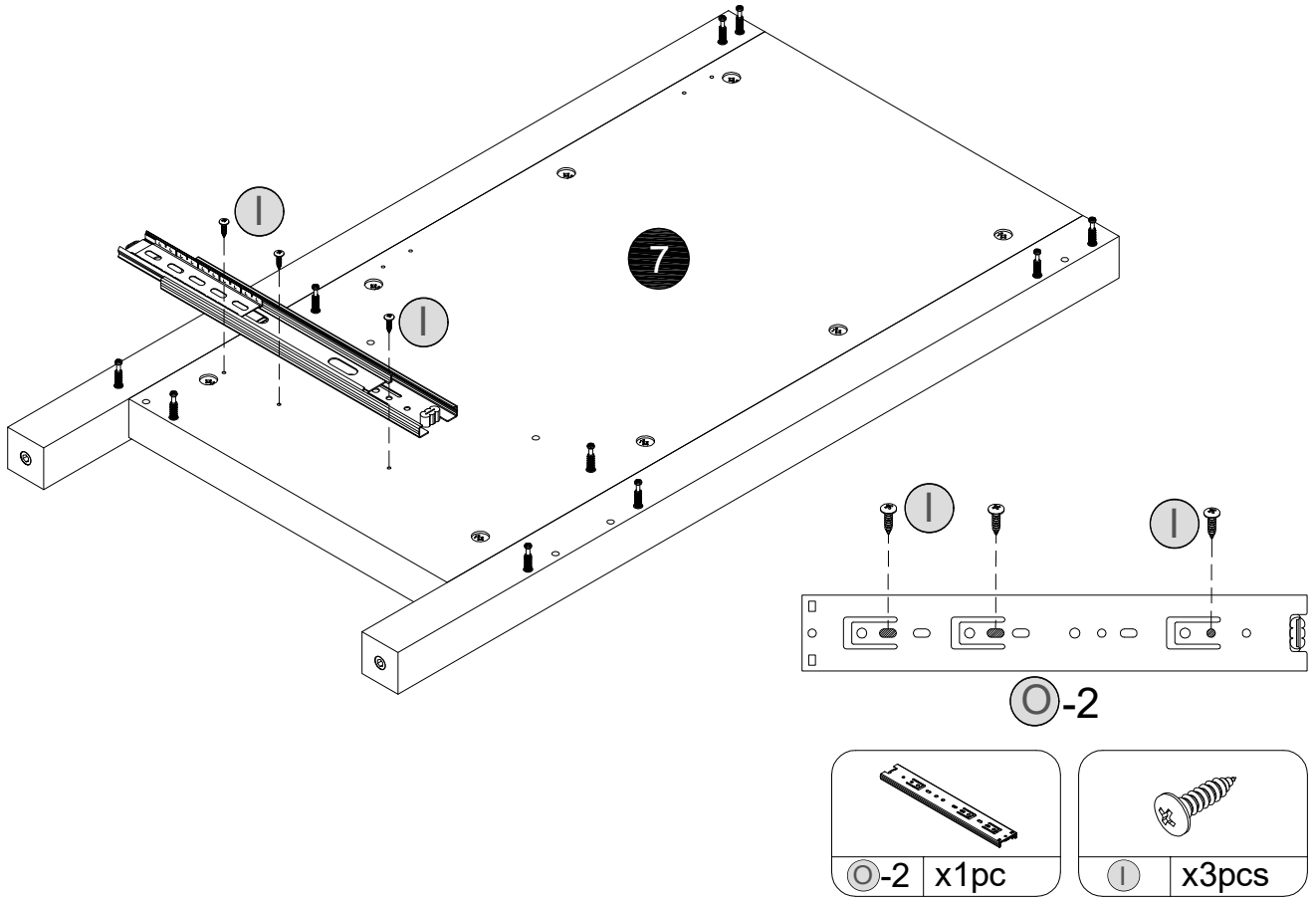
INSTALLATION STEPS

Press the plastic part in the indicated direction to separate drawer runner O-1 and O-2 before assembling.

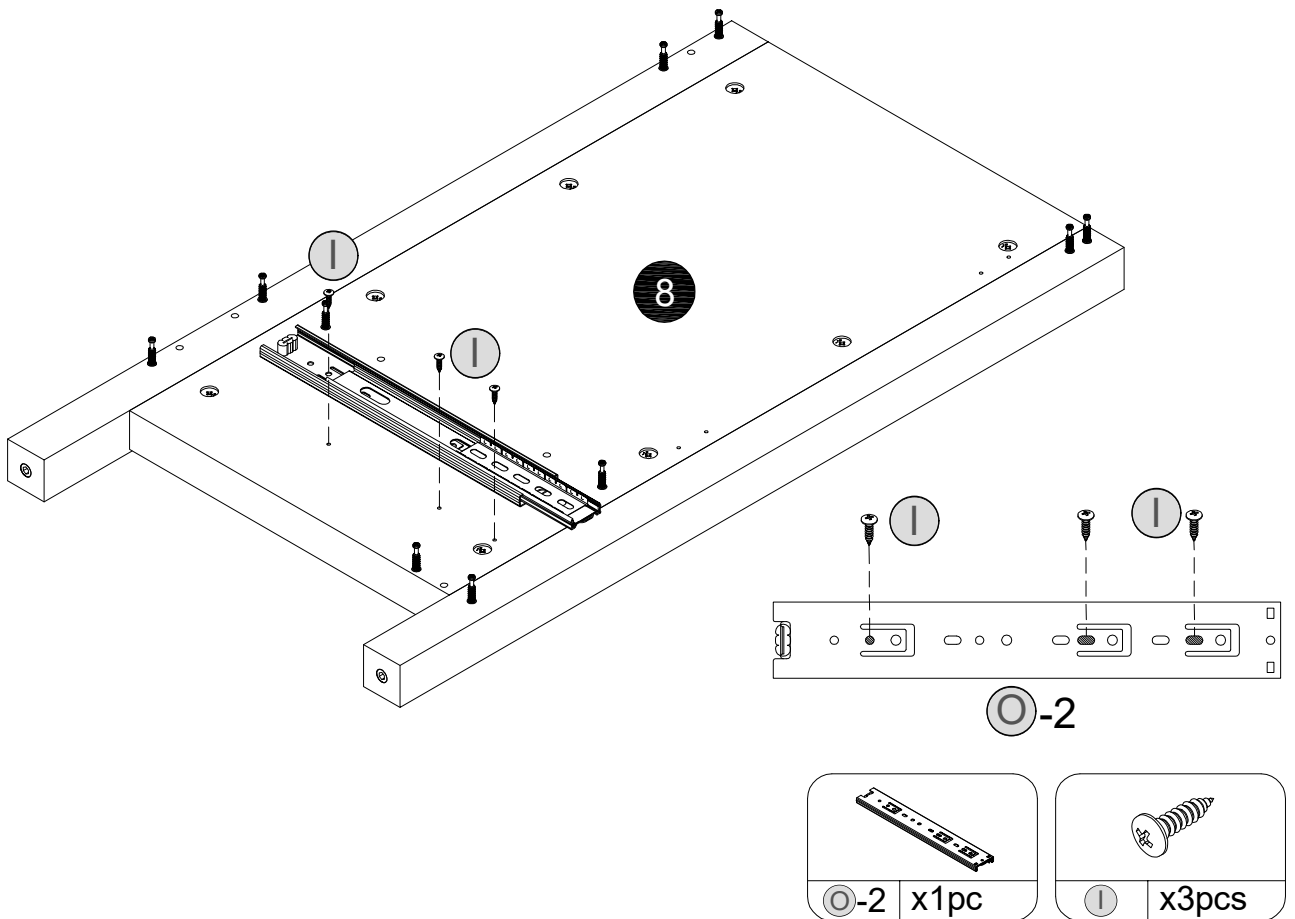
REMARK:
Please grip the O-1 part while sliding the O-2 part



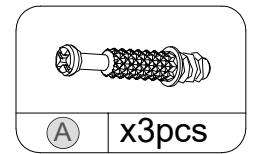
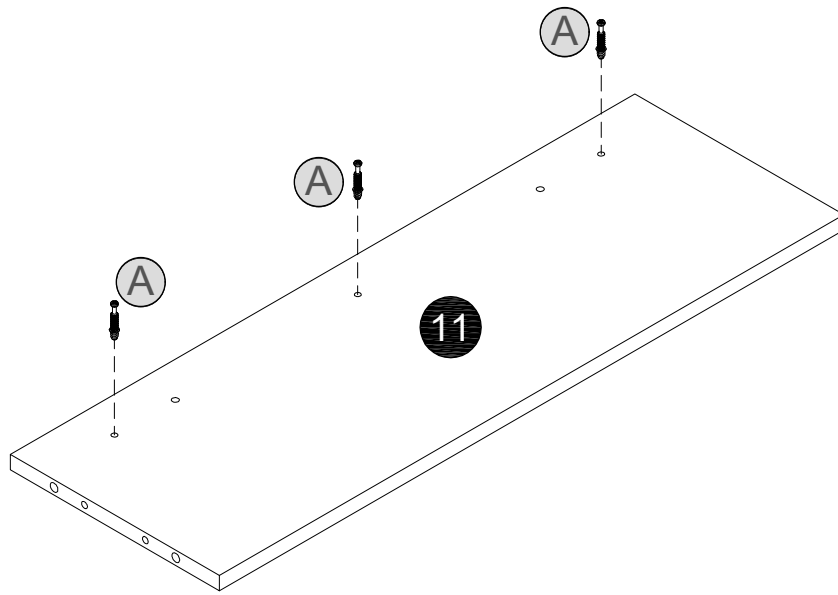
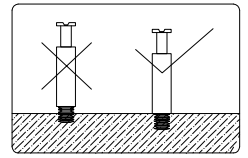
Step 7



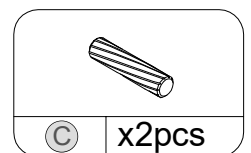
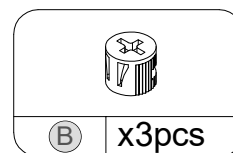
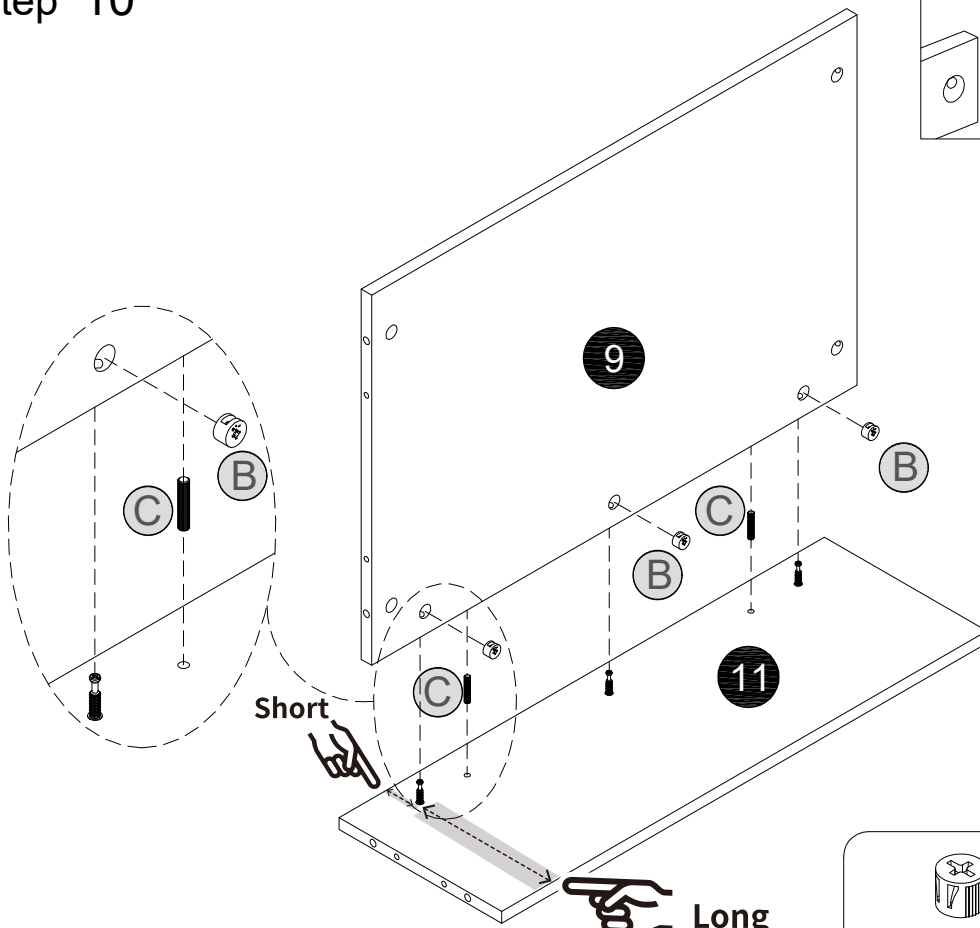
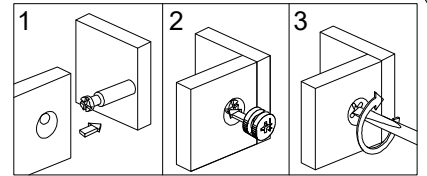
Step 8



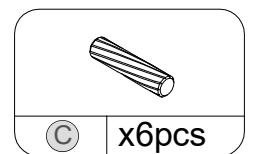
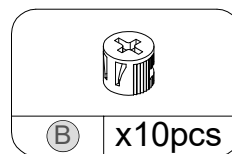
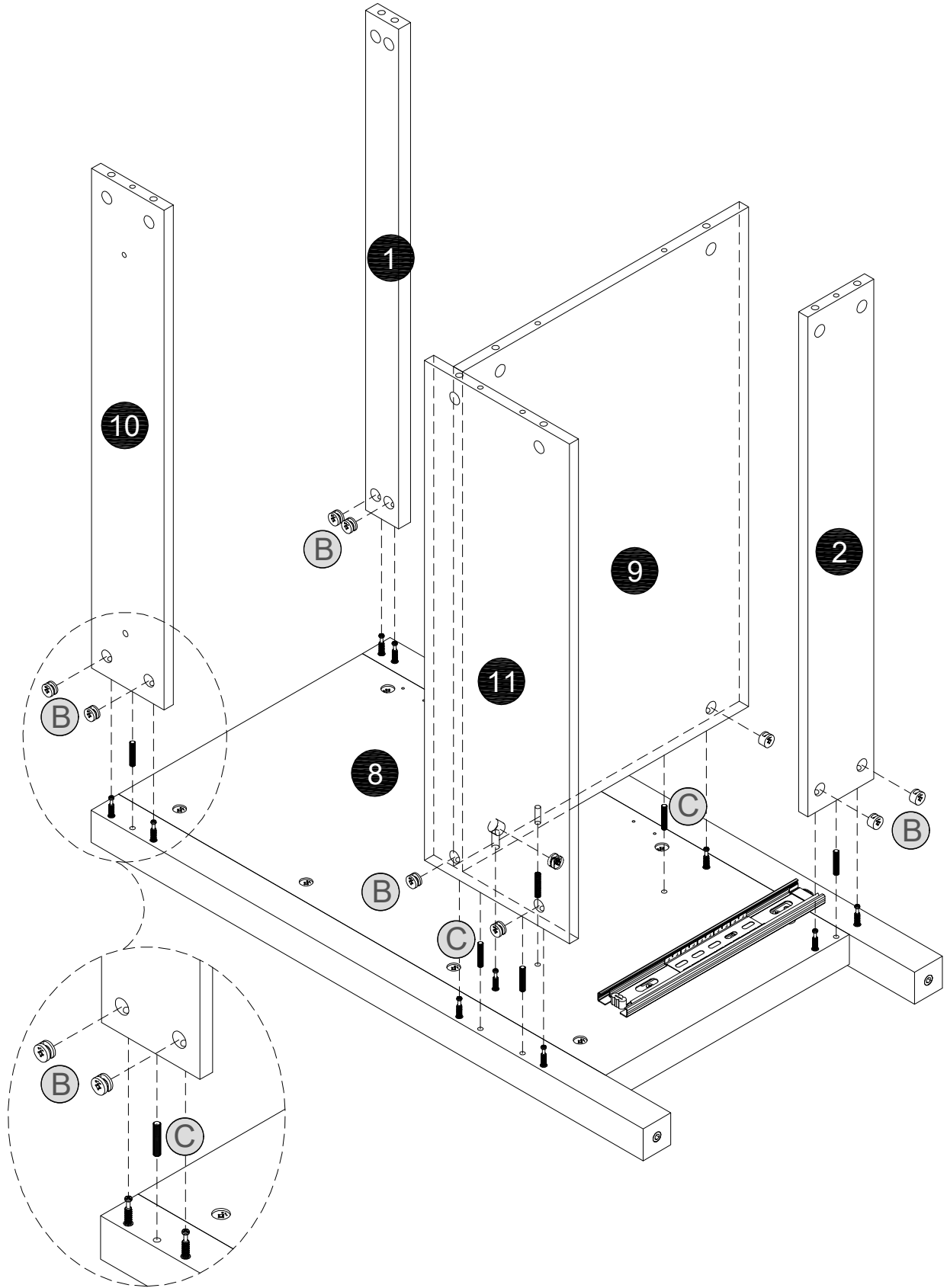
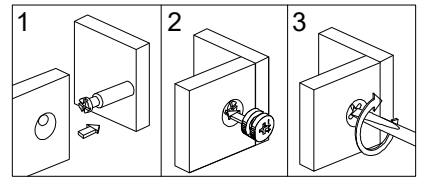
Step 9



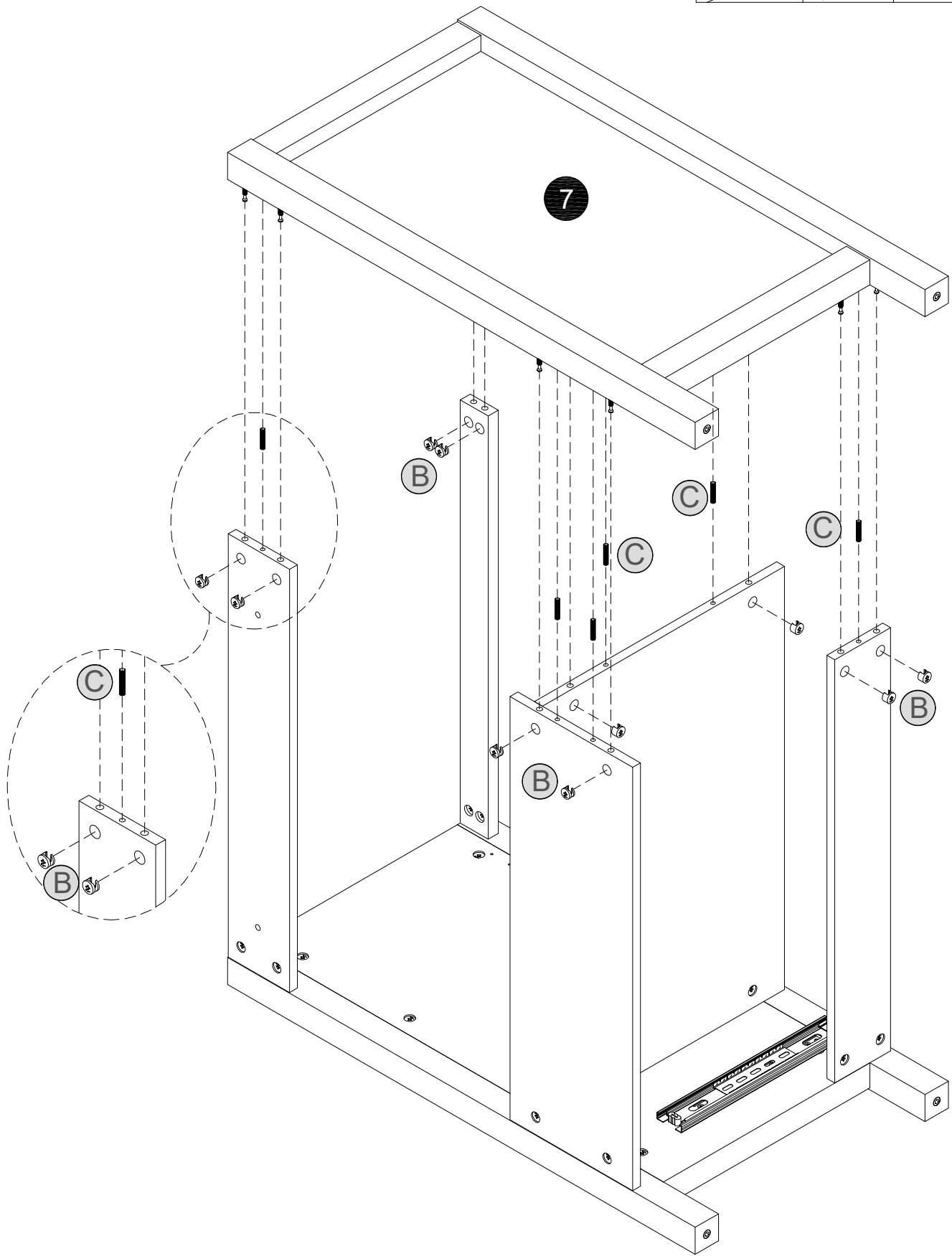
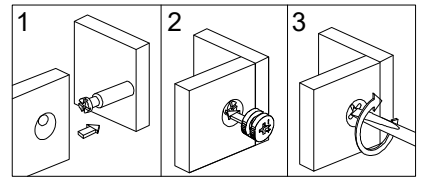
Step 10



Step 11



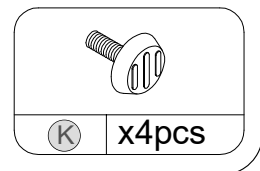
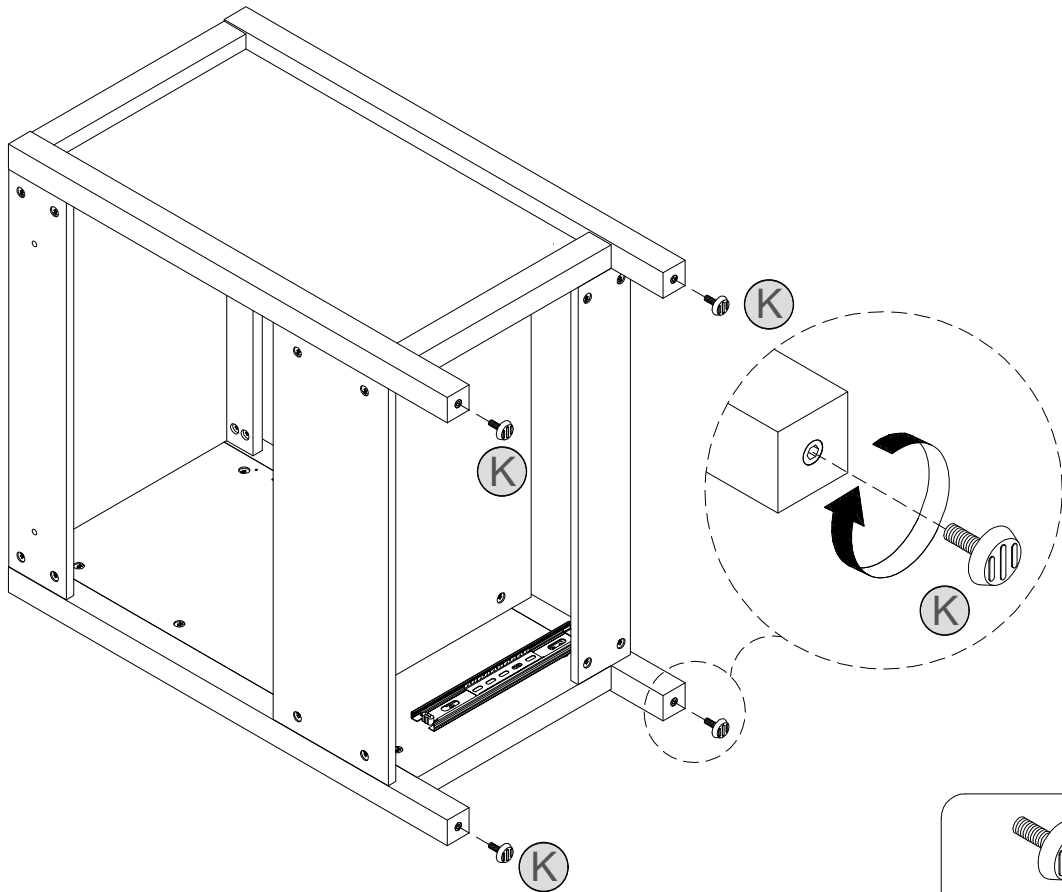
Step 12



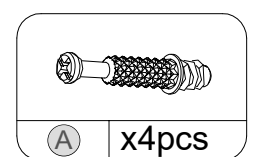
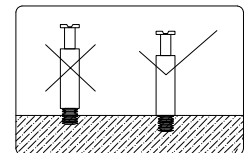
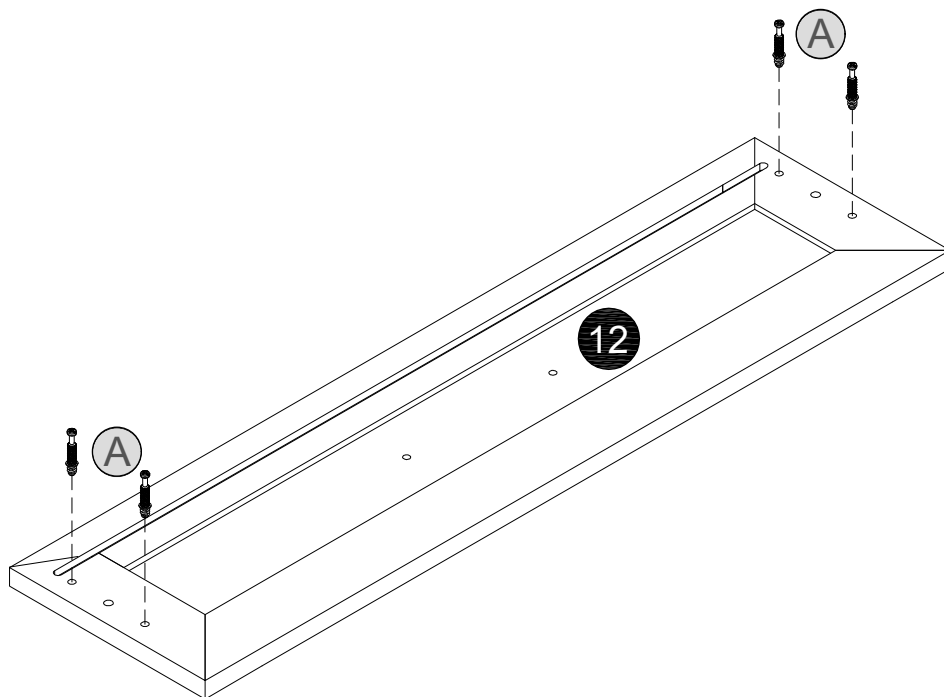
B x10pcs

C x6pcs

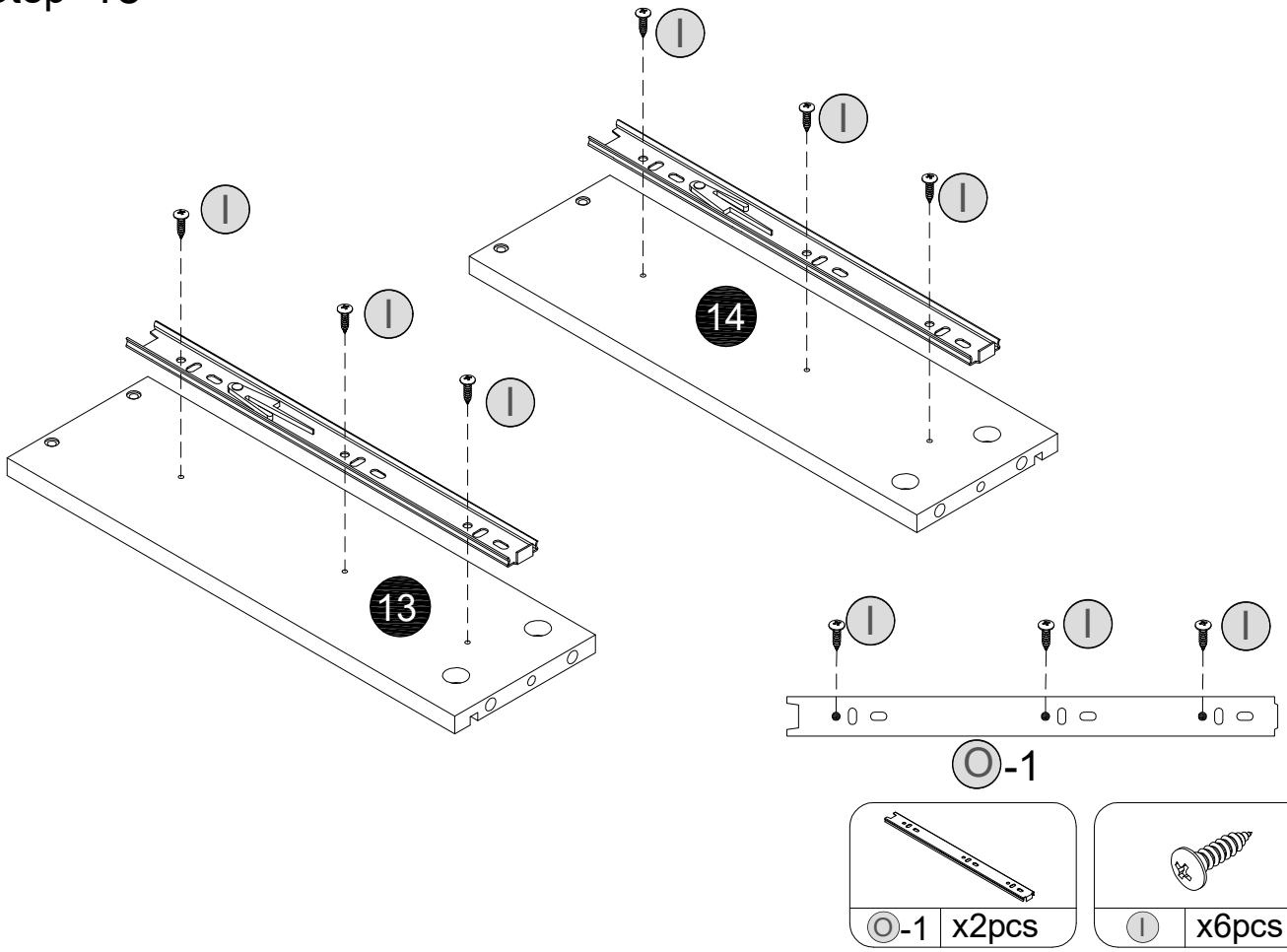
Step 13



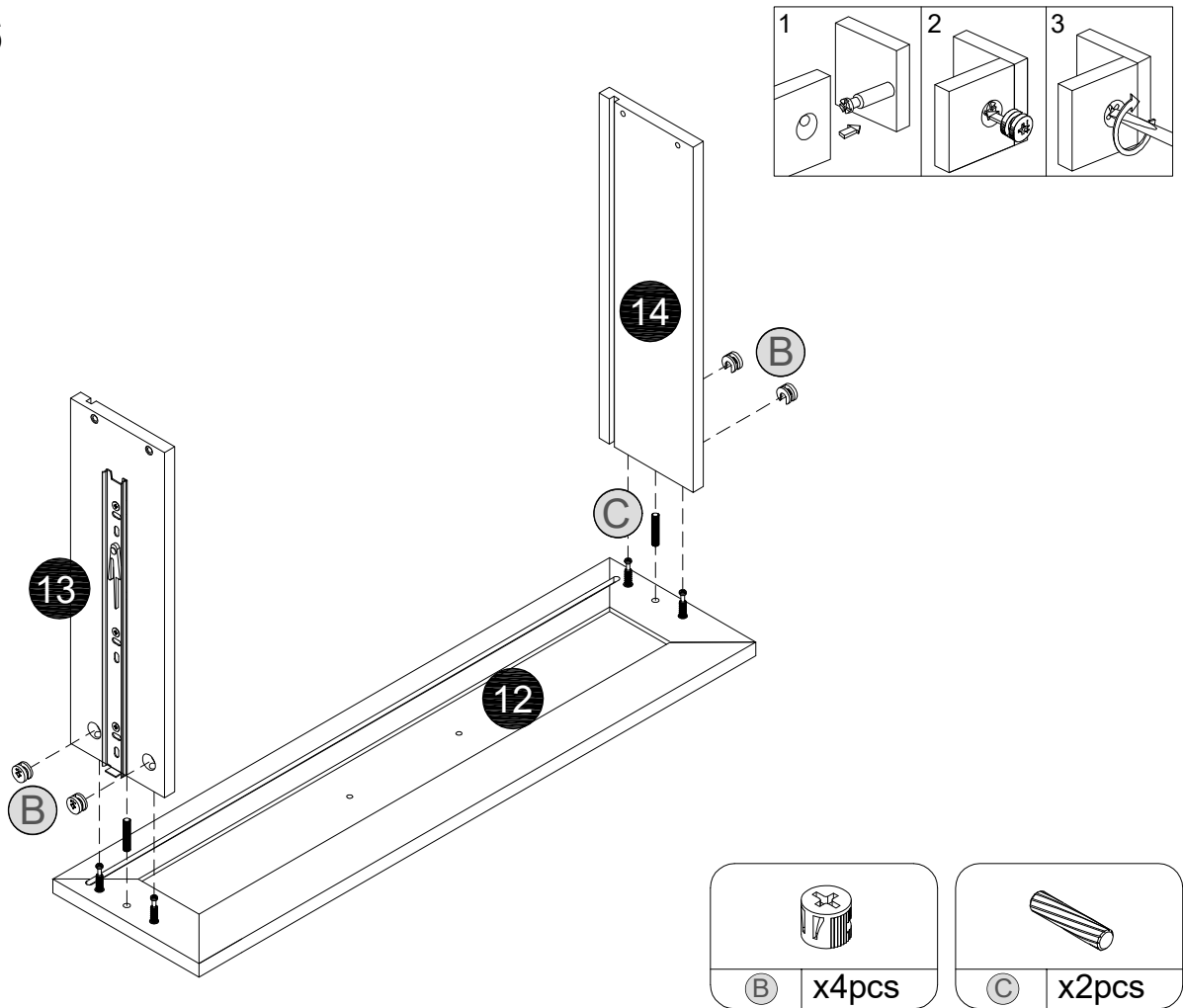
Step 14



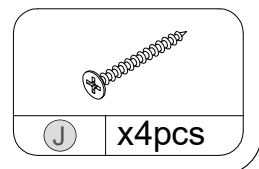
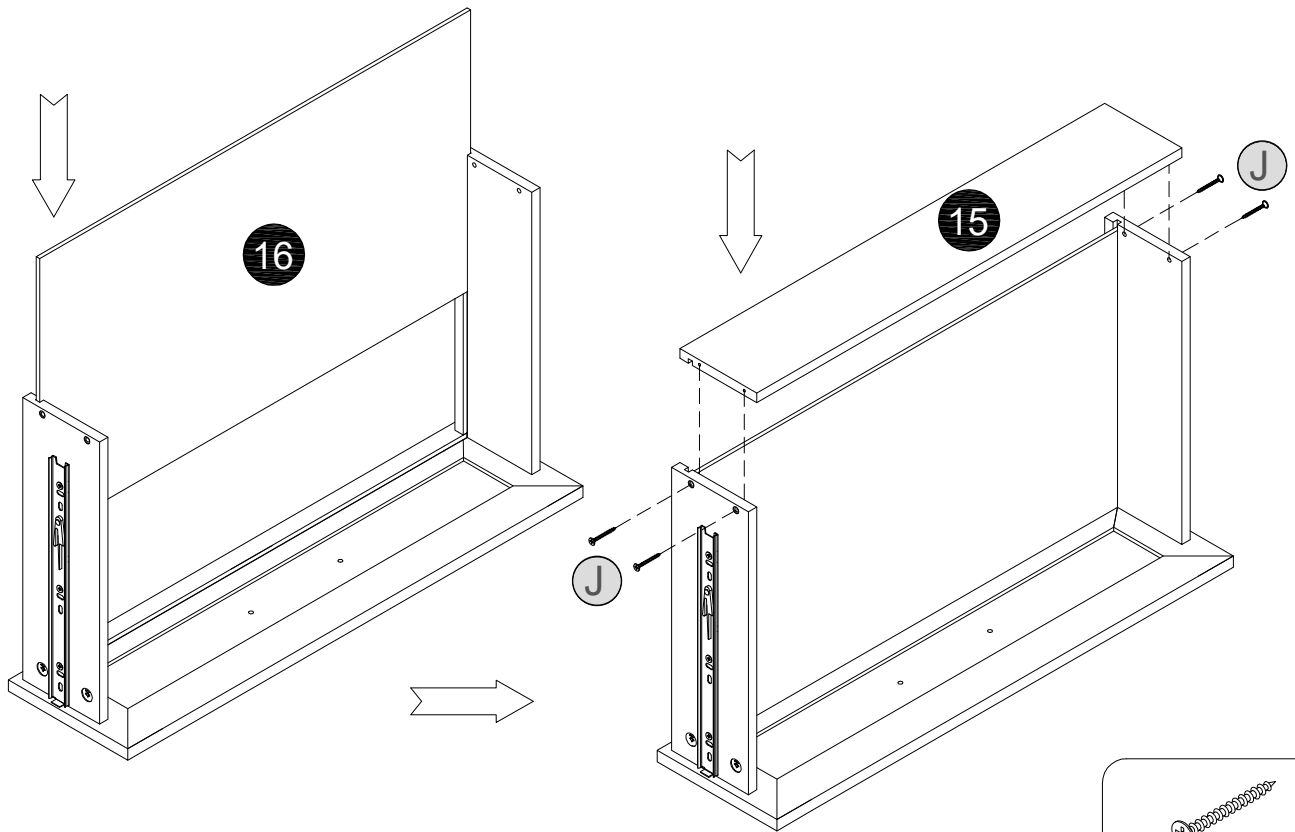
Step 15



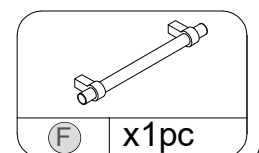
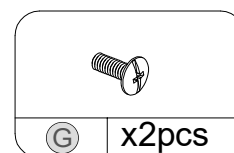
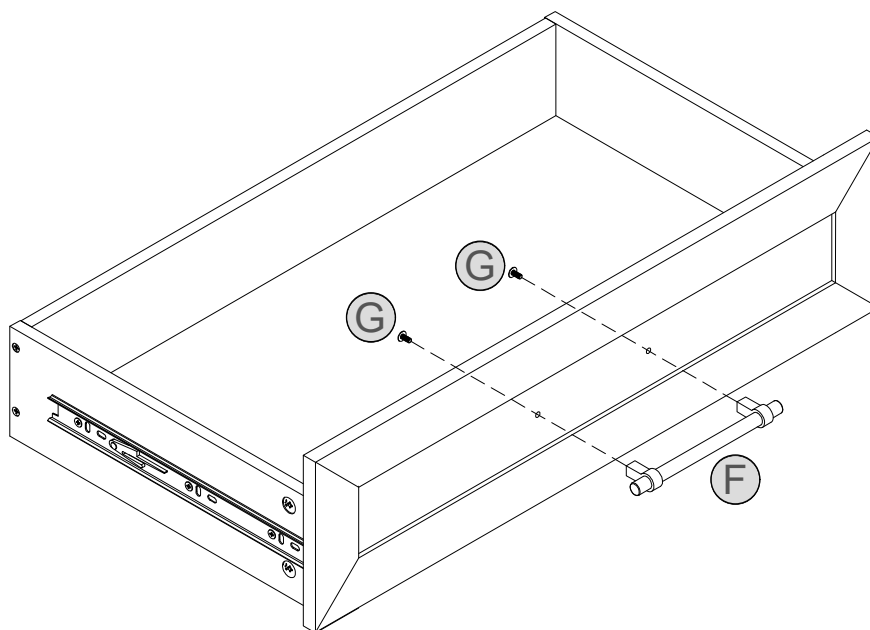
Step 16



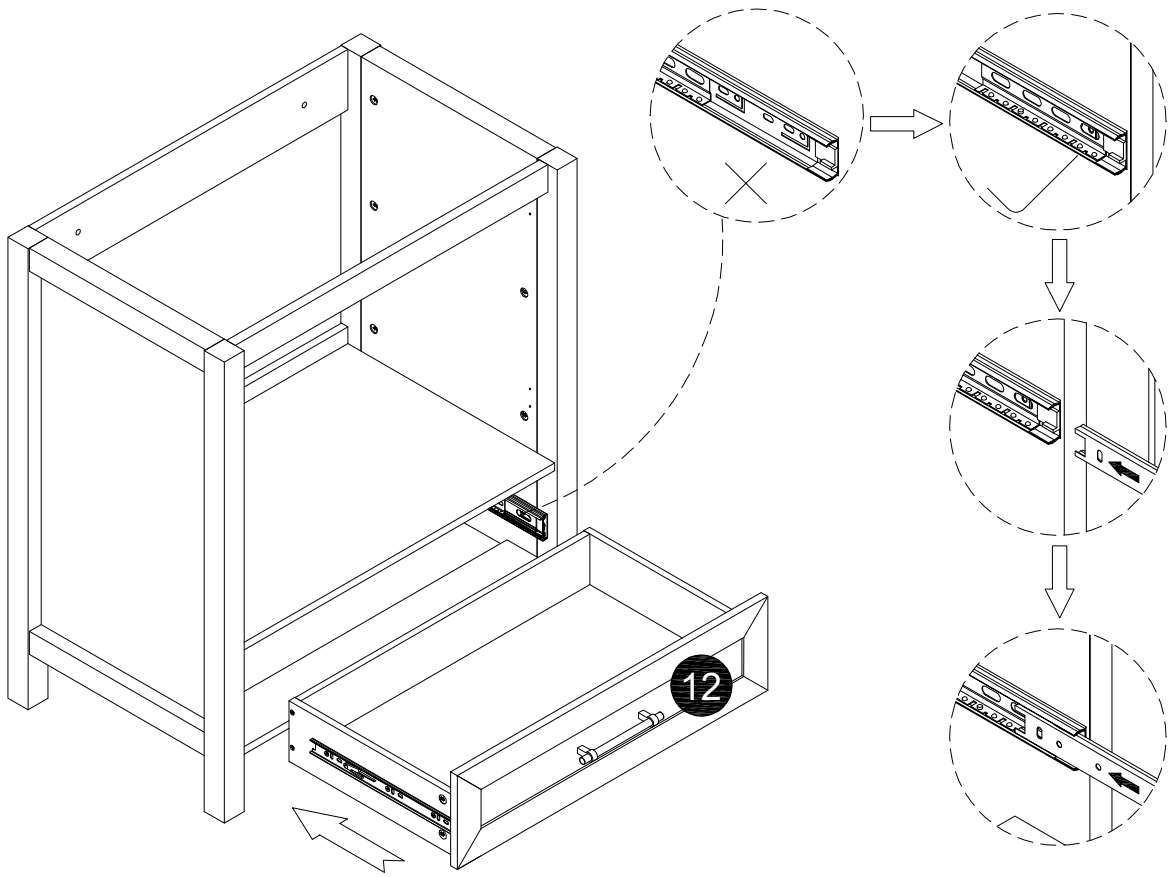
Step 17



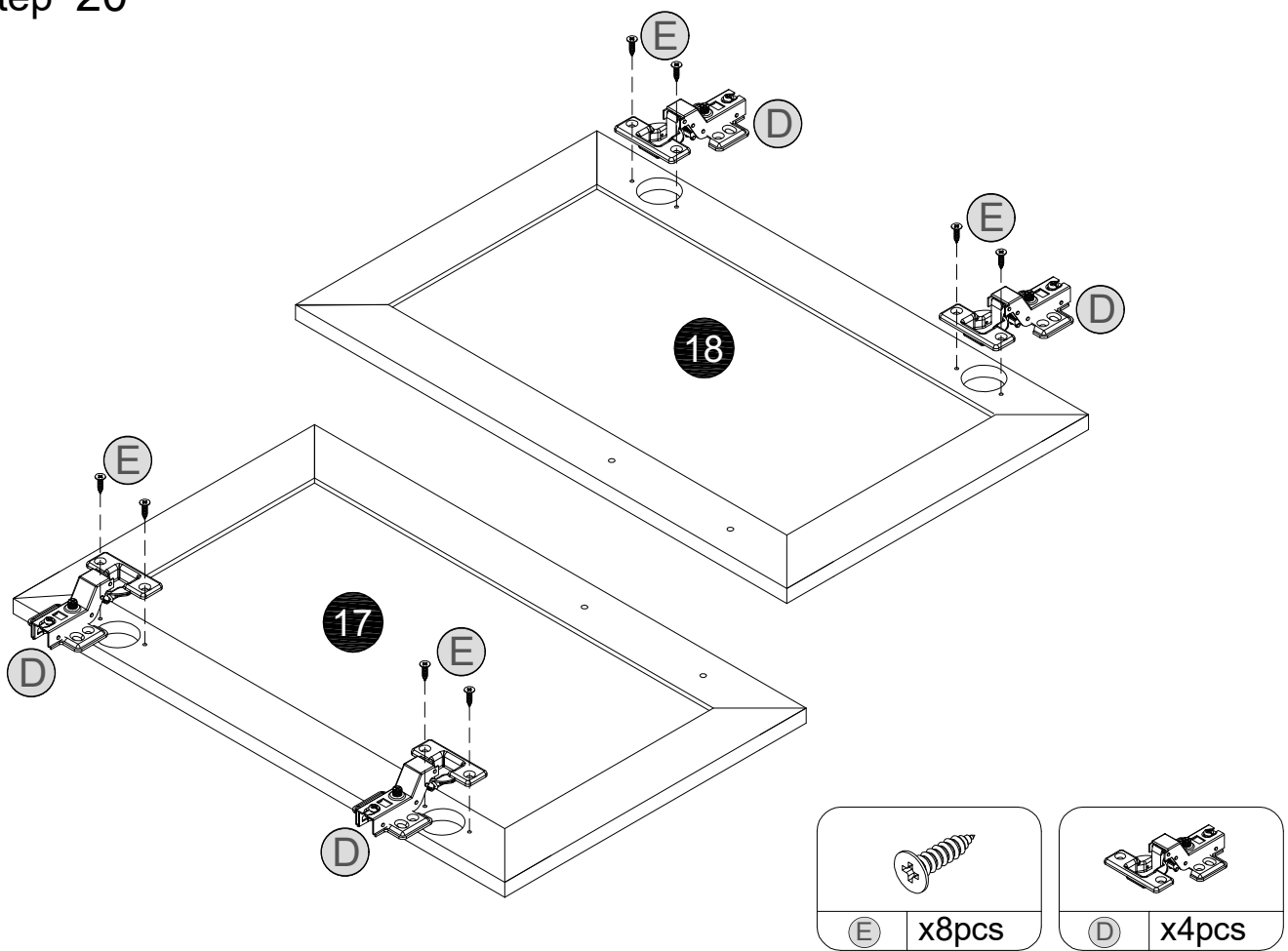
Step 18



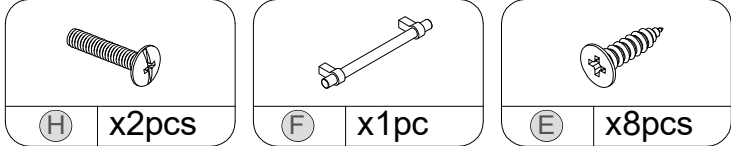
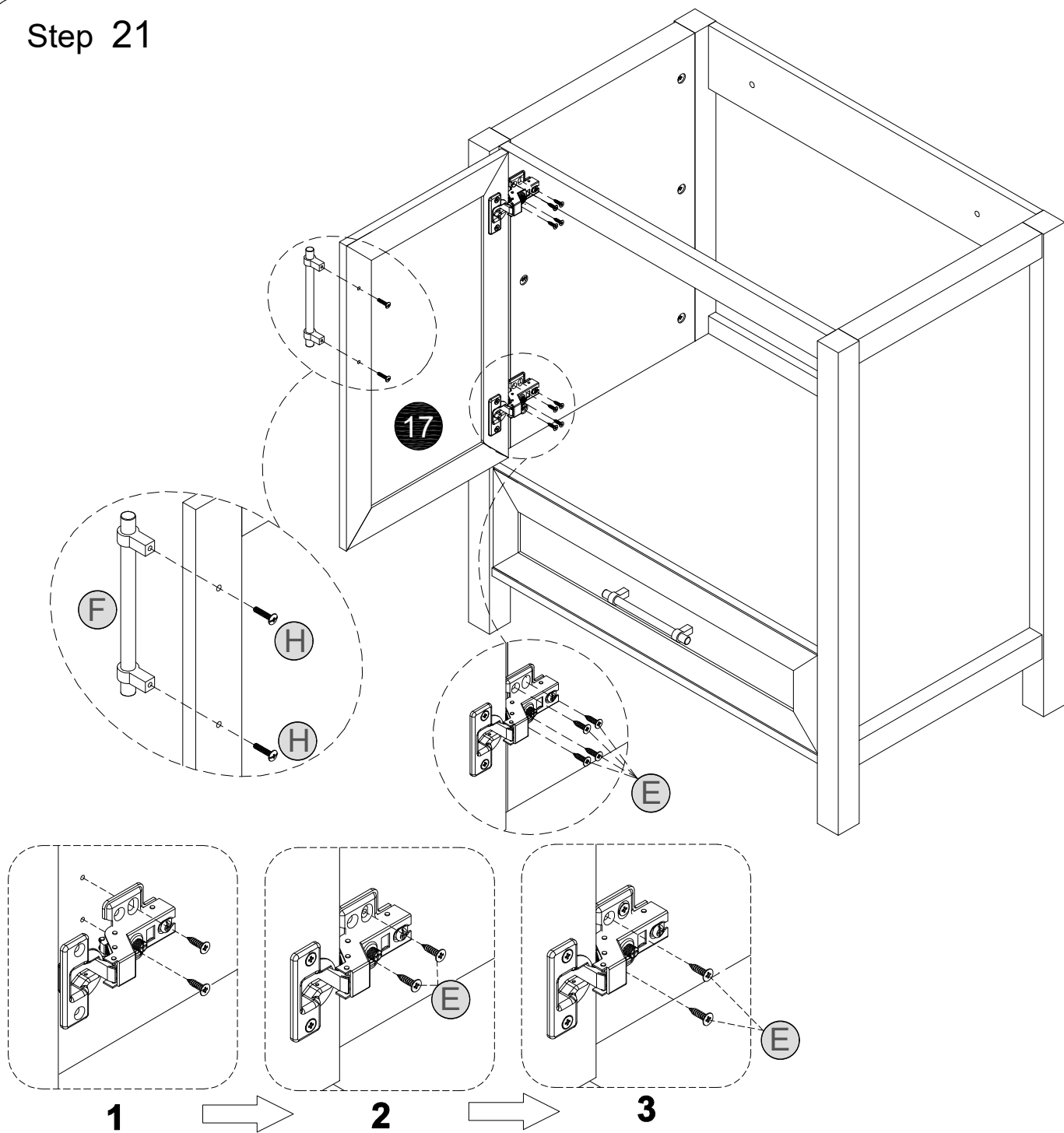
Step 19



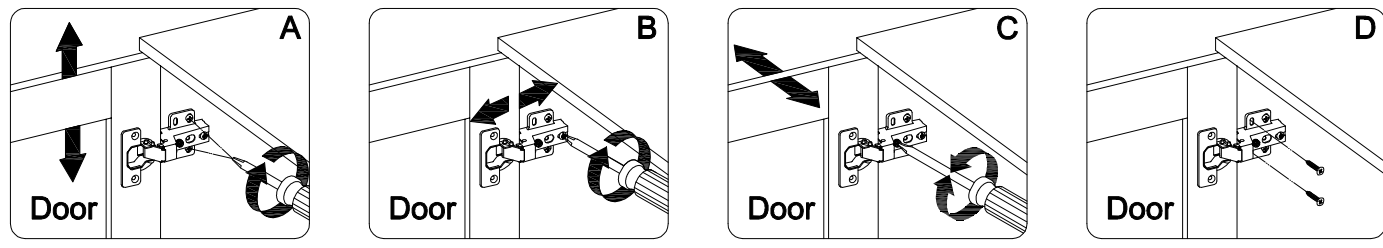
Step 20



Step 21

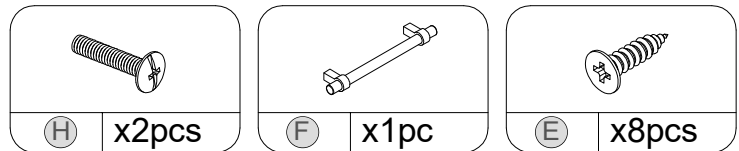
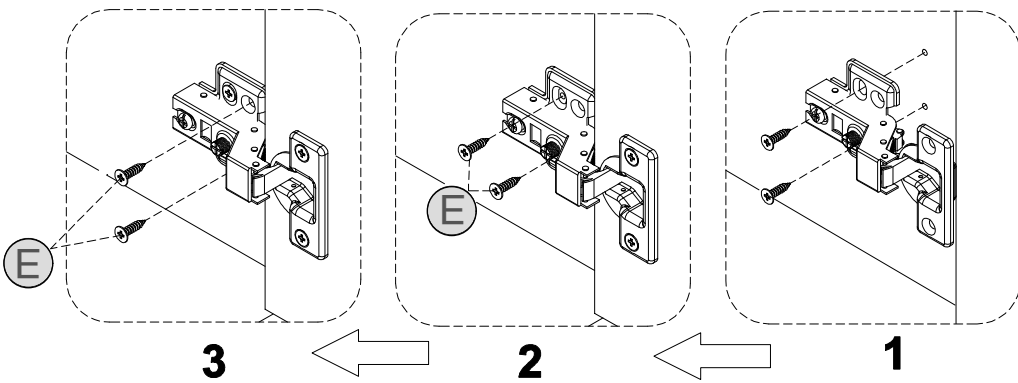
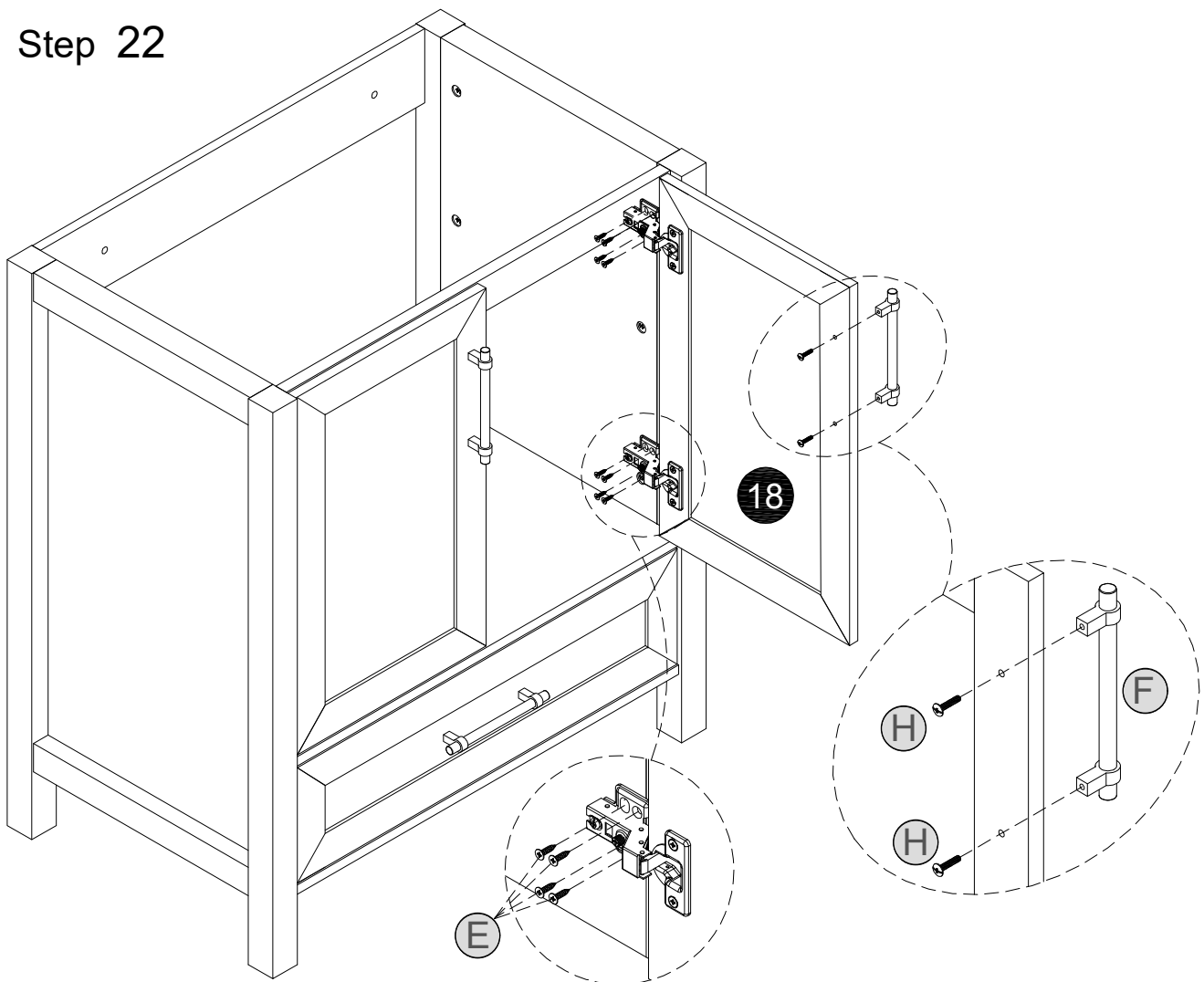


When the hinges are installed, you can refer to the pictures to adjust crevice of the doors till it's perfect

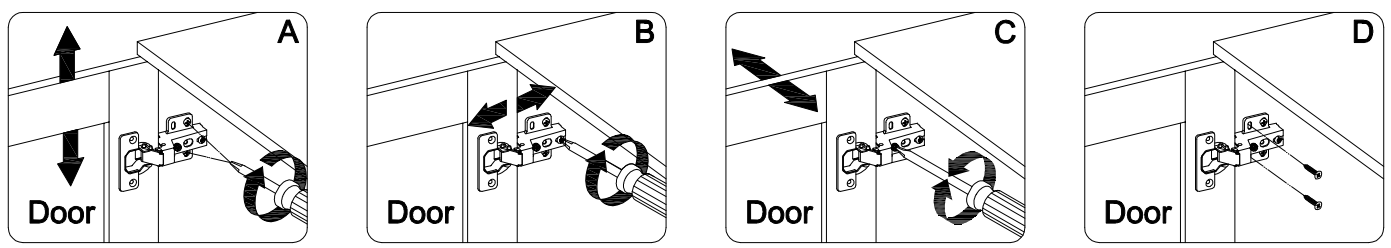


1. To adjust the doors up and down, please refer to step (A)
2. To adjust the distance between the doors and side panels, please refer to (B)
3. To adjust the gap between two doors, please refer to step (C)
4. After the adjustment finished, please tight the screws, refer to step (D)

Step 22



When the hinges are installed, you can refer to the pictures to adjust crevice of the doors till it's perfect



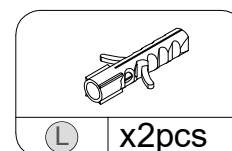
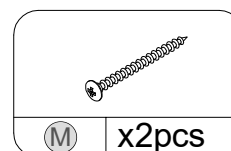
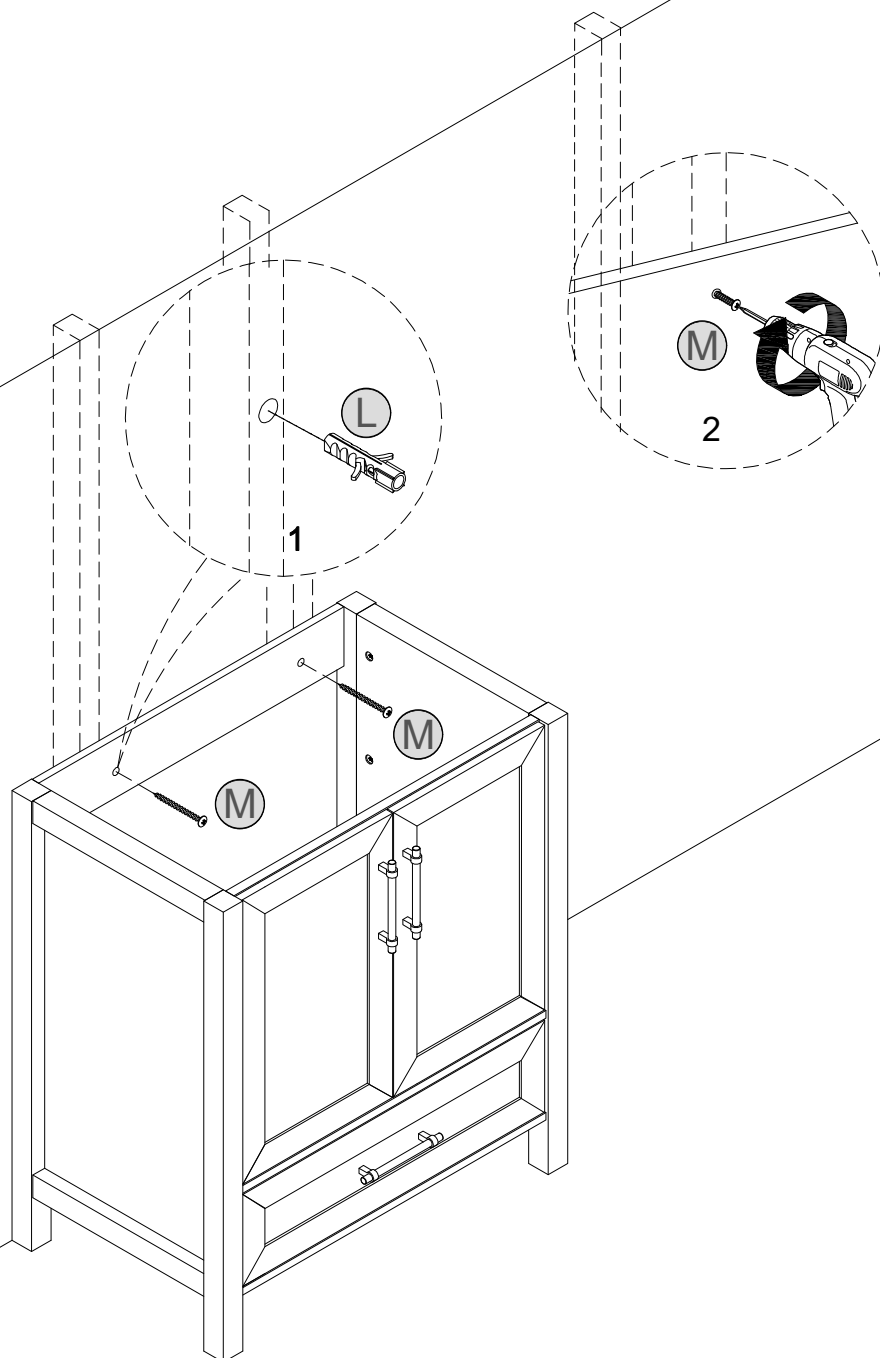
1. To adjust the doors up and down, please refer to step (A)
2. To adjust the distance between the doors and side panels, please refer to (B)
3. To adjust the gap between two doors, please refer to step (C)
4. After the adjustment finished, please tight the screws, refer to step (D)

Step 23

***Note:** Clean area where the vanity will be permanently located prior to beginning installation, ensuring the vanity will not interfere with any water supply and drain lines once mounted.

* With the help of another adult, carefully place vanity against the wall in its final location. From inside vanity, drill hole through vanity mounting area and into wall studs. Using mounting hardware (L) appropriate for your installation site, secure vanity to wall stud

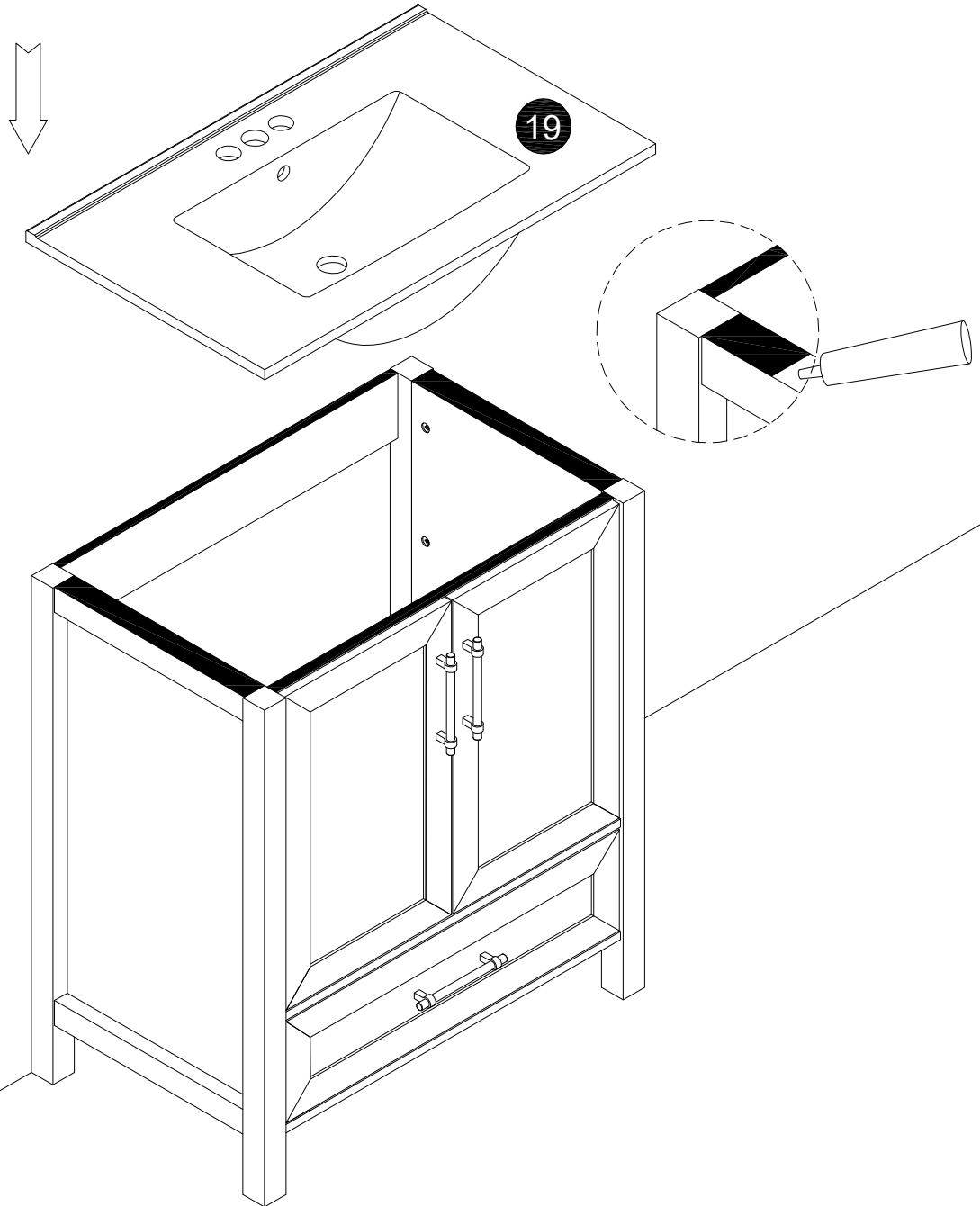
* **WARNING**
Vanity **MUST** be secured to wall



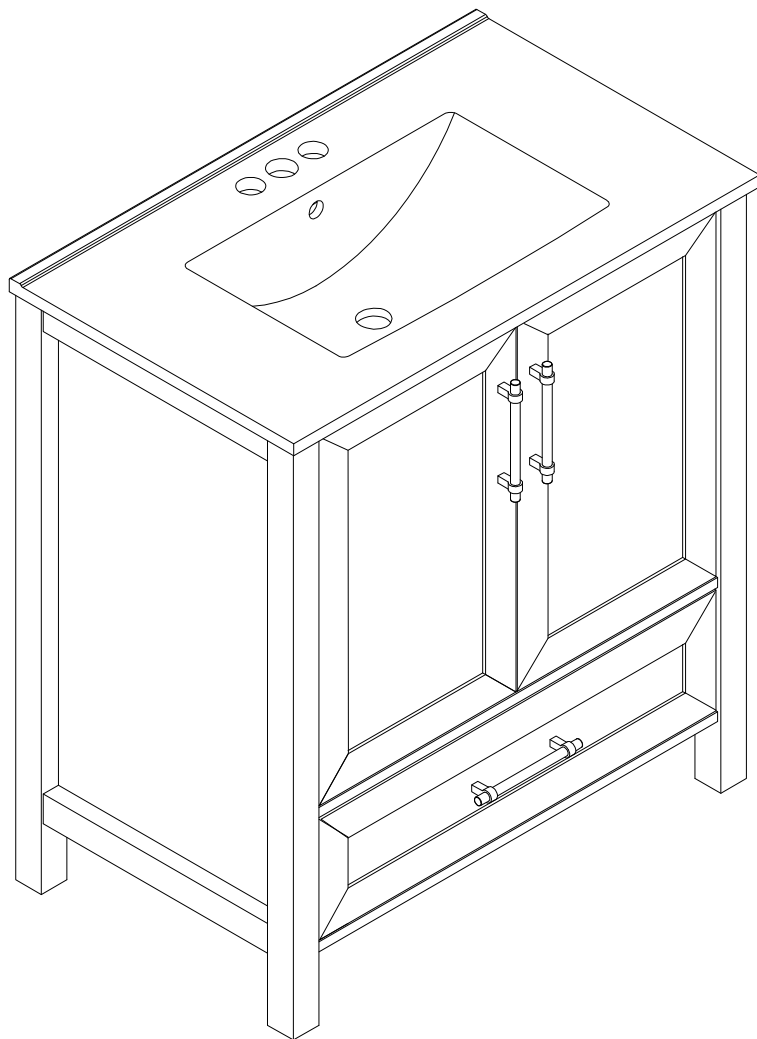
Step 24

Note: At this stage it may be easier to install the faucet and drain kit (not included) to top (19) per the manufacturer's instructions.

* Apply stain free silicone or latex silicone caulk (not included) to the top edge of vanity. With the help of another adult, gently lower top (19) onto the vanity. Wipe away any excess caulk with a soft cloth, and wait approximately 24 hours for it to dry.



Step 25



IMPORTANT SAFETY INFORMATION

Please carefully read the instructions and caution warnings below before assembling the product. Following this guide will ensure that you install, use and maintain the product properly.

- Please keep this installation and user manual/instructions for future reference in case you need to assemble the product.
- Do not assemble if you notice serious damage such as cracks or bends.
- During installation, please use work gloves for hand safety.
- Please assemble the unit on carpeted floor or the flat cardboard box to avoid scratching the surface or your floor while assembling on the floor.
- To assemble, please use the complimentary installation tools (Allen Wrench). Pay more attention to the direction of components at each steps.
- It is recommended that two people work together to assemble the product.
- Please do not tighten the screws up too much, just to 80% before you finish to make the installation go on successfully.

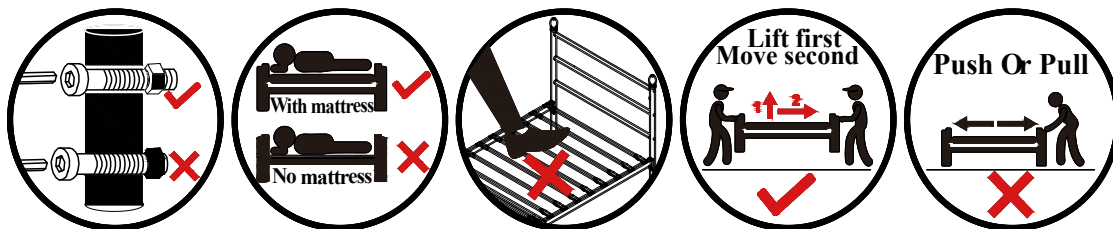
RETURN POLICY

We believe you will absolutely love your new product. But for some reason you want to return your item, please contact us within 30 days after receiving and ensure that the product which you want to return is in a good condition in the original box with all original certificates of purchase, manuals and accessories attached.

HOW TO MAINTAIN YOUR PRODUCT:

- Check the screws of the product are not loose from regular use.
- Do not use sharp instruments, rubbing alcohol, corrosive chemicals, or abrasive cleaners to clean the product.
- Do not keep the product in a damp environment for a long period of time. The damp environment may cause the iron components to rust and the plates to bulge and crack.

CAUTIONS!



How to find us?

Customer Service

Email: support@garvee.com

GARVEE
support@garvee.com