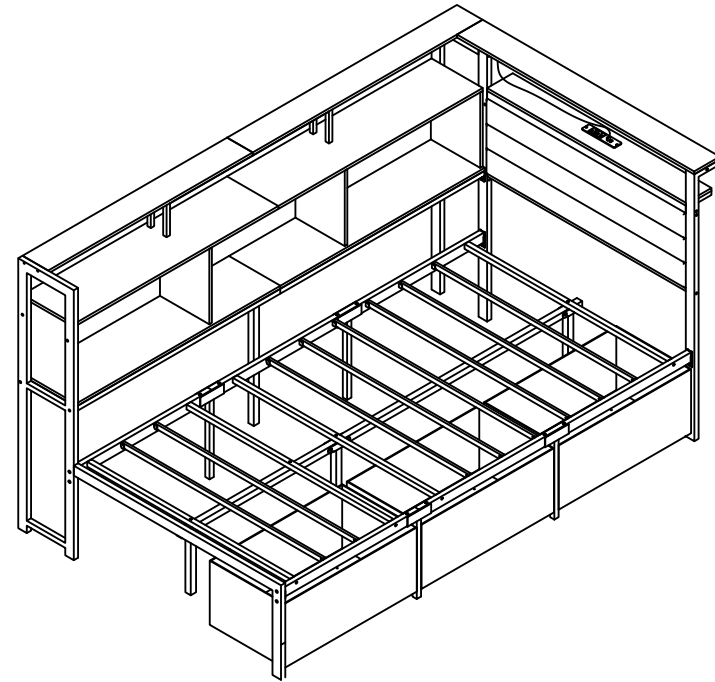
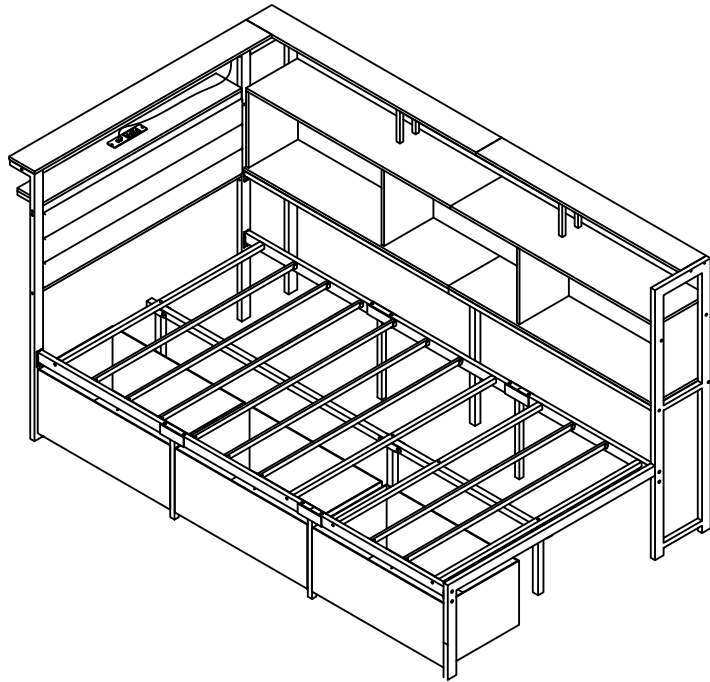


HK-BF-026-CL-F



Bed Frame with LED lights User Manual

Before Assembly

Please read the **USER MANUAL** thoroughly for quick assembly, and check according to **Accessories**.



Team Installation:

For larger product, we recommend that you install the product together with other people



Laying Protection:

To protect the product and your flooring during installation, please lay protection before installation



No Electric Drill:

For longer use, please use the installation tools supplied with the product.



Installation question:

You can find installation video instructions on YouTube by searching our brand.



Missing Parts or Broken:

Please feel free to contact us via Amazon Orders or Customer Support Email. We promise to ship the missing or replacement parts to you free of charge.



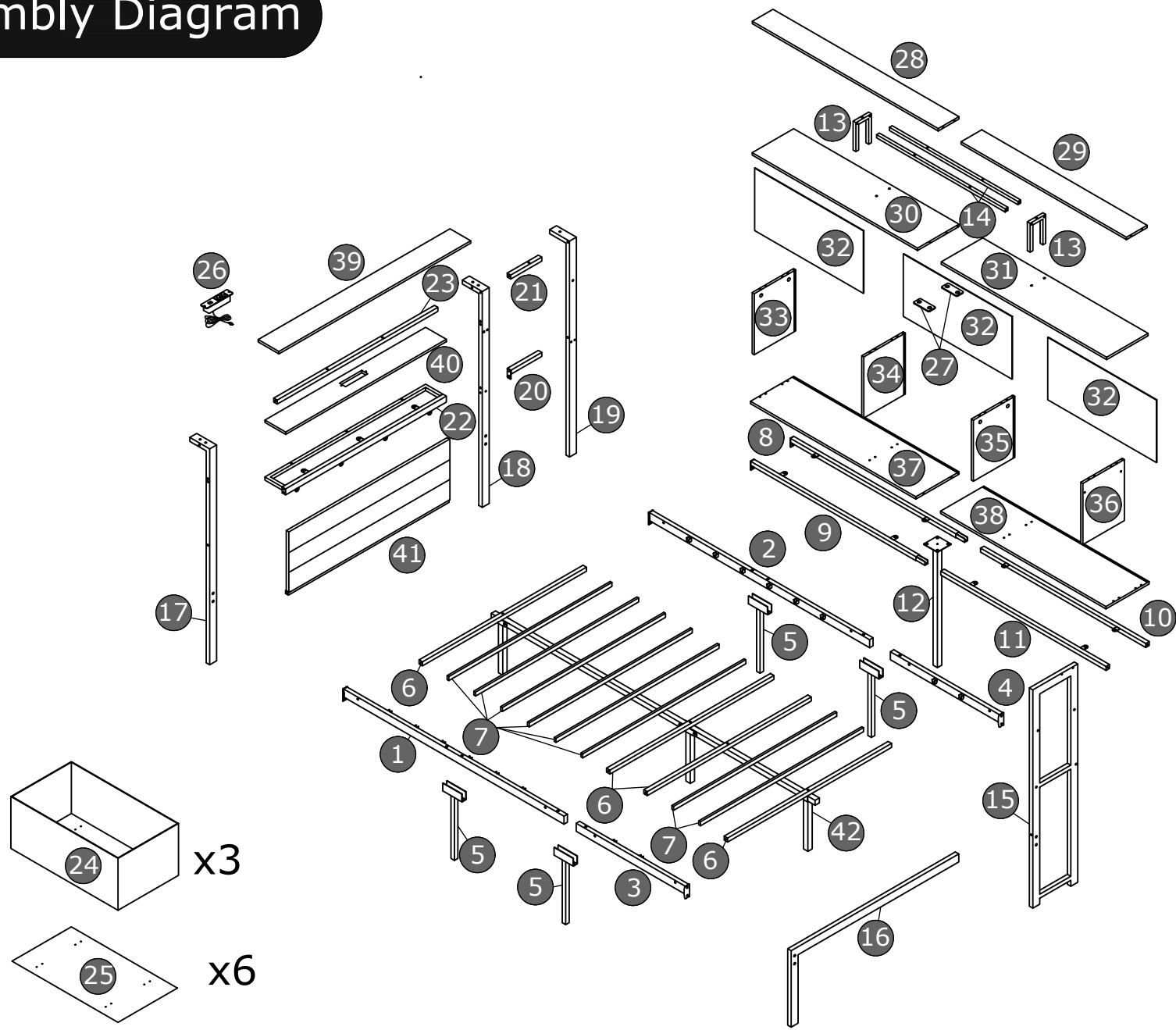
Any questions?

Please do not hesitate to contact us!

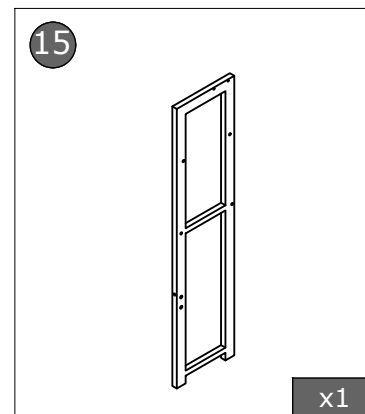
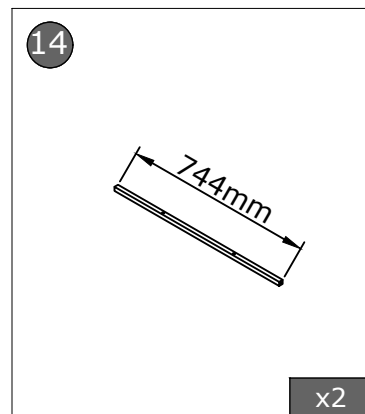
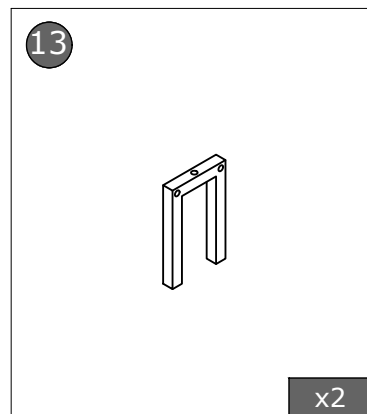
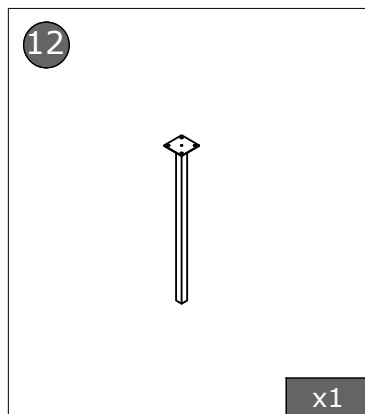
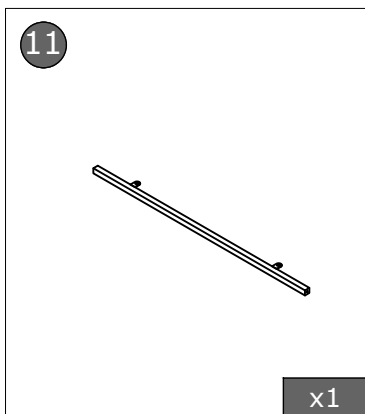
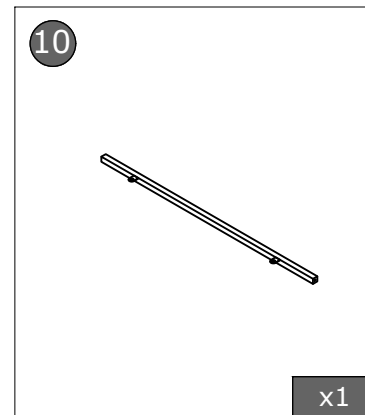
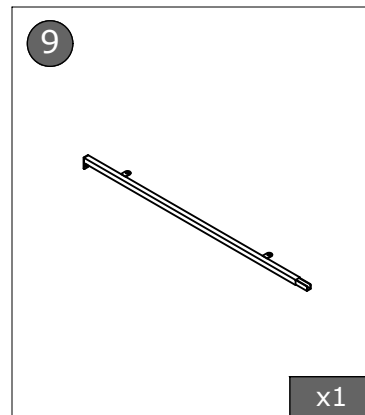
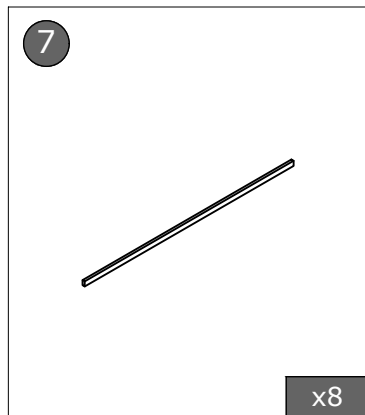
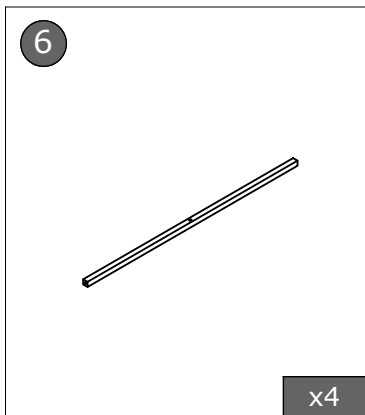
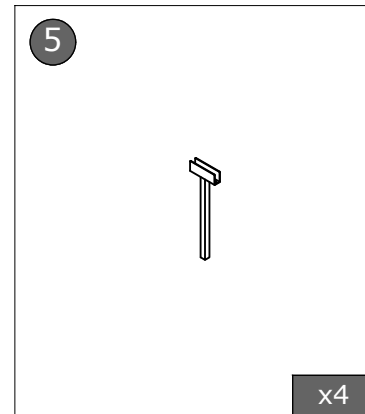
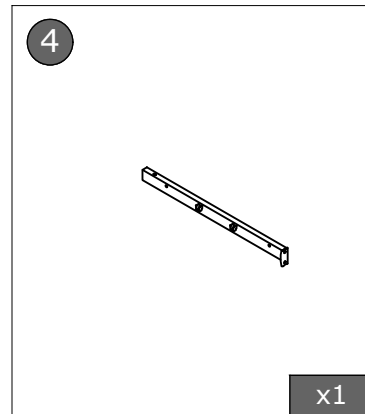
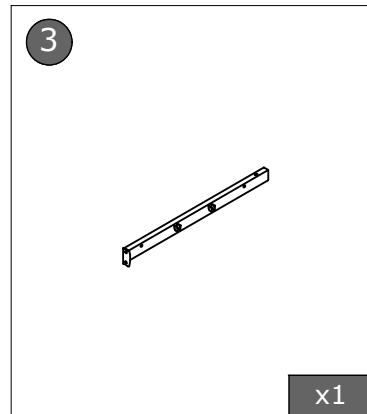
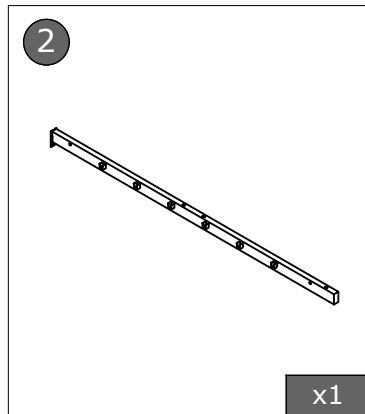
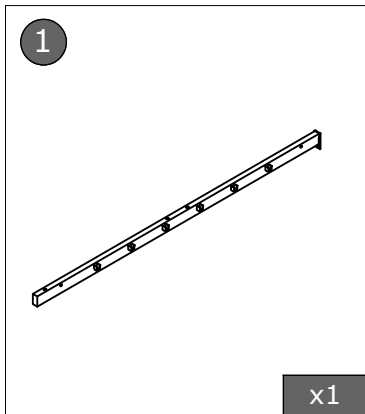


homesup2025@outlook.com

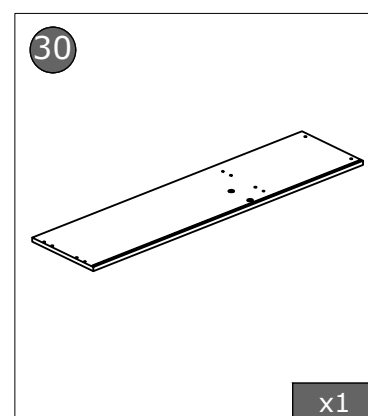
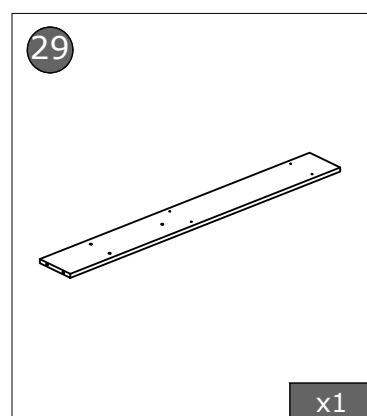
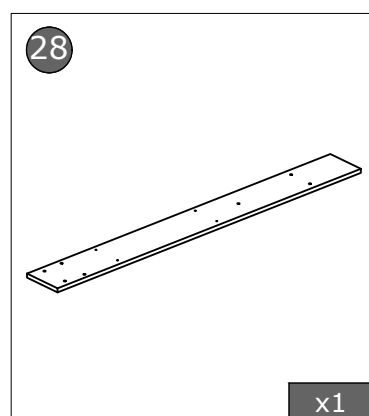
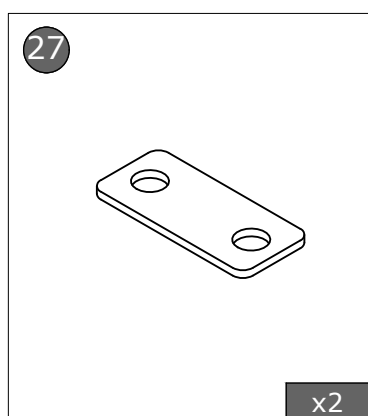
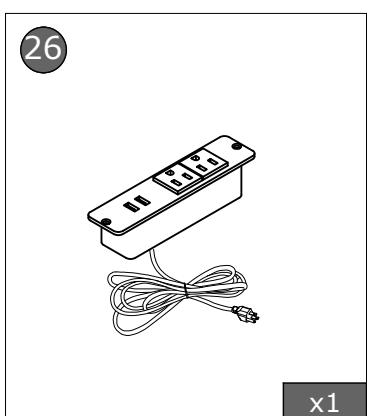
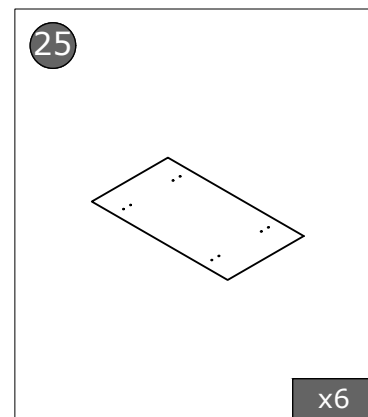
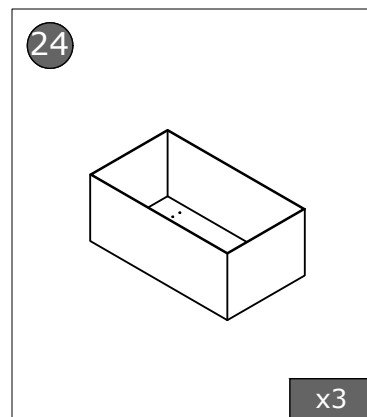
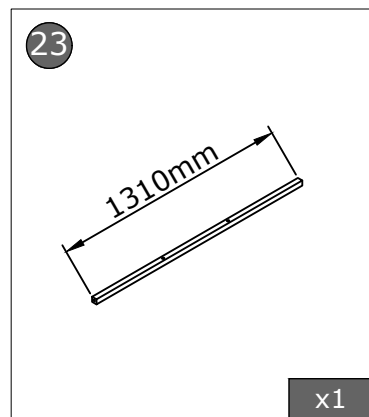
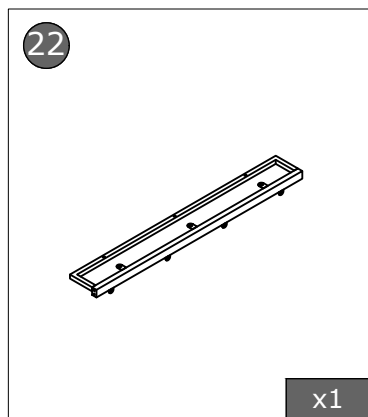
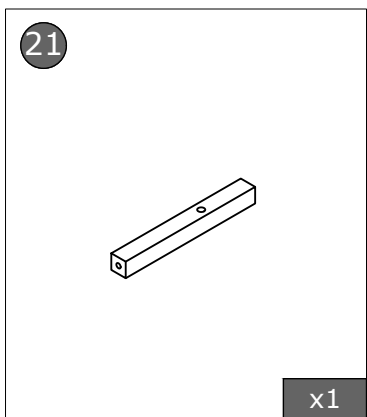
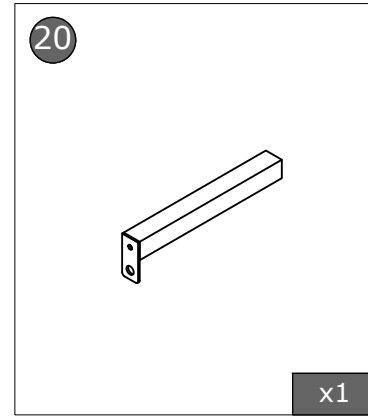
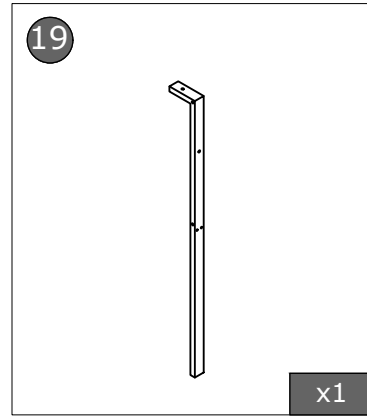
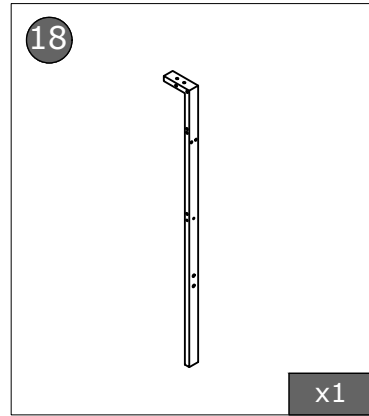
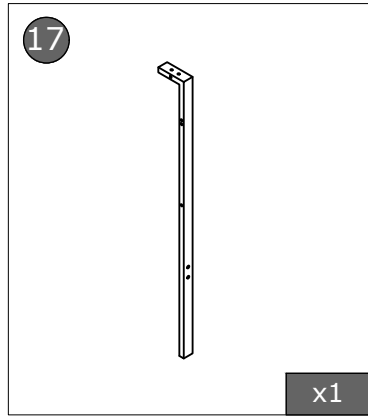
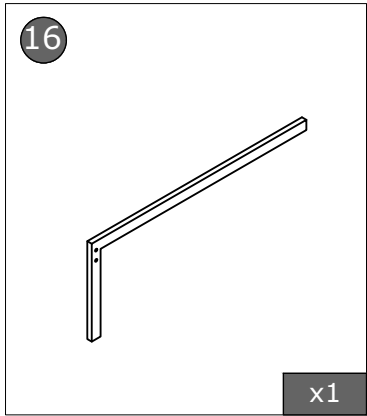
Disassembly Diagram



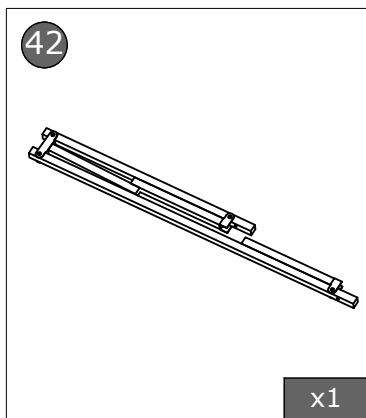
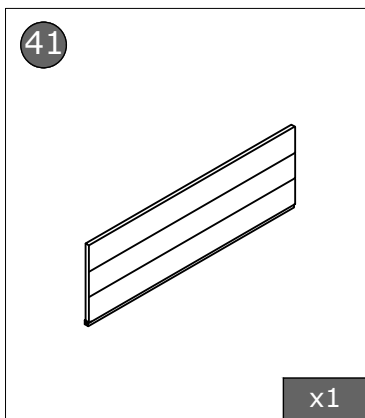
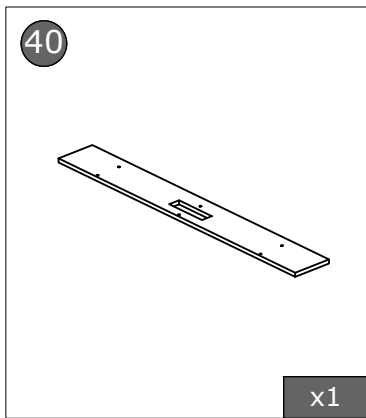
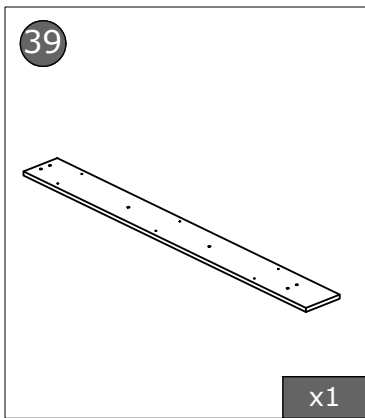
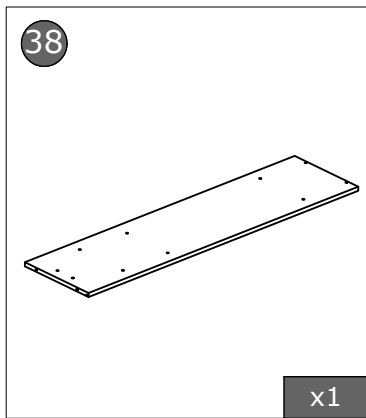
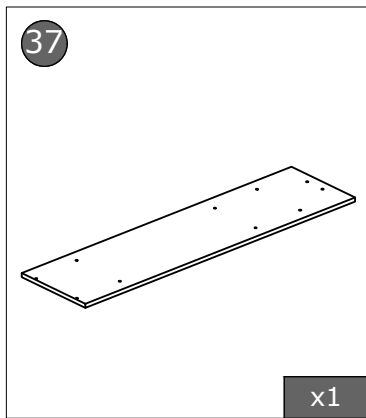
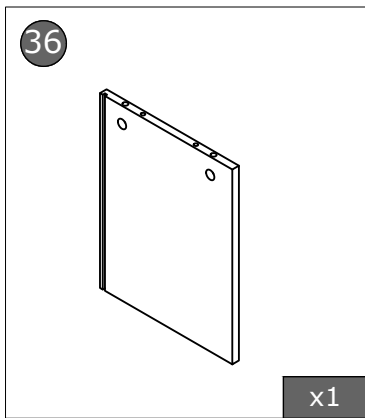
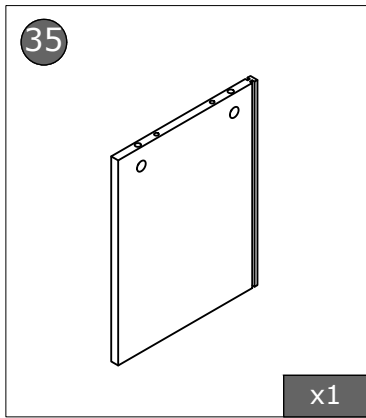
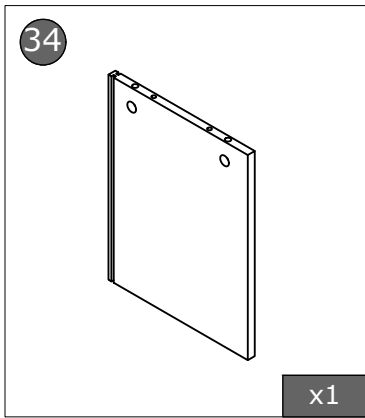
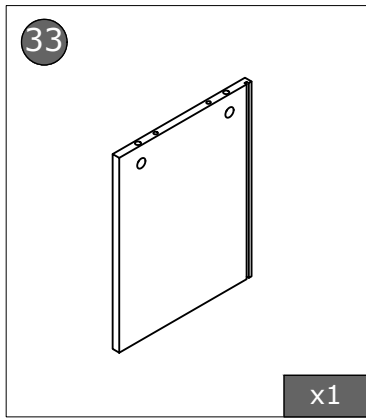
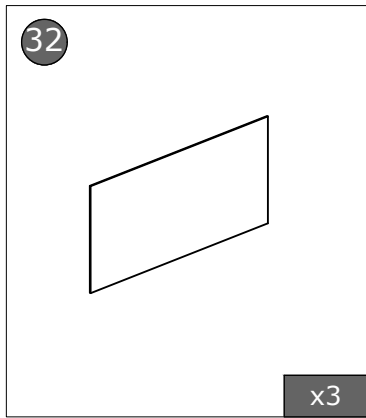
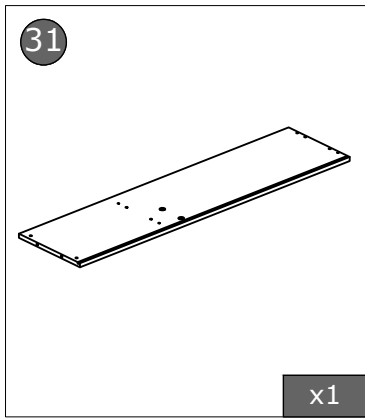
Accessories



Accessories

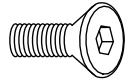


Accessories



Accessories

A



M6x10

x8

B



M6x10

x15

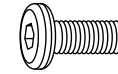
C



M6x15

x7

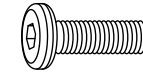
D



M6x23

x9

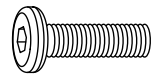
E



M6x28

x16

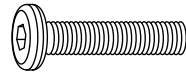
F



M6x40

x14

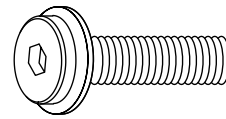
G



M6x60

x15

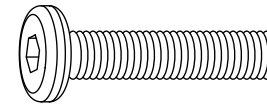
H



M8x35

x8

I



M8x55

x8

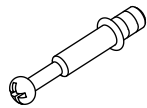
J



Ø6x30

x22

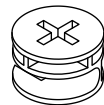
K



Ø6x35

x8

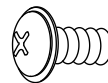
L



Ø15x10

x8

M



M4x16

x24

N



Ø4x12

x2

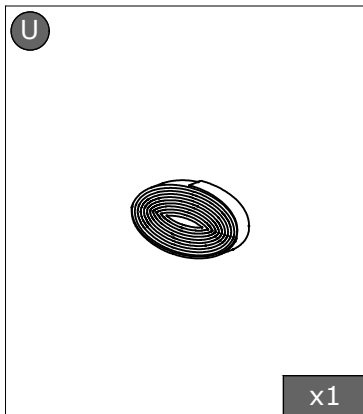
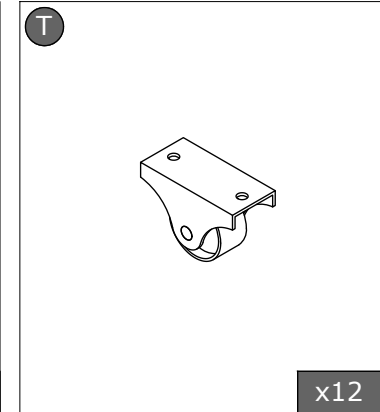
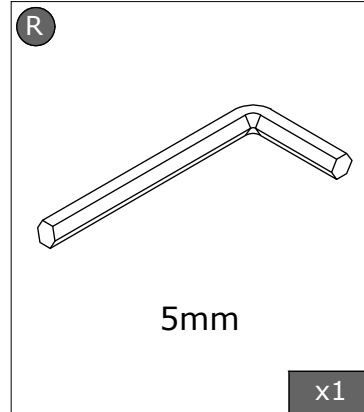
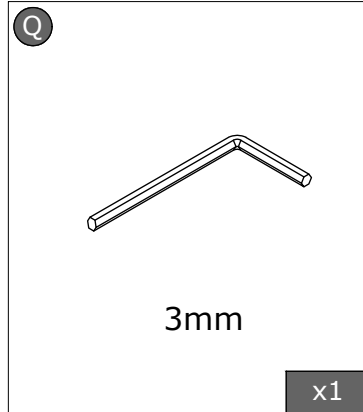
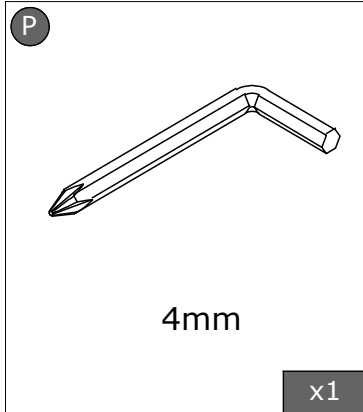
O



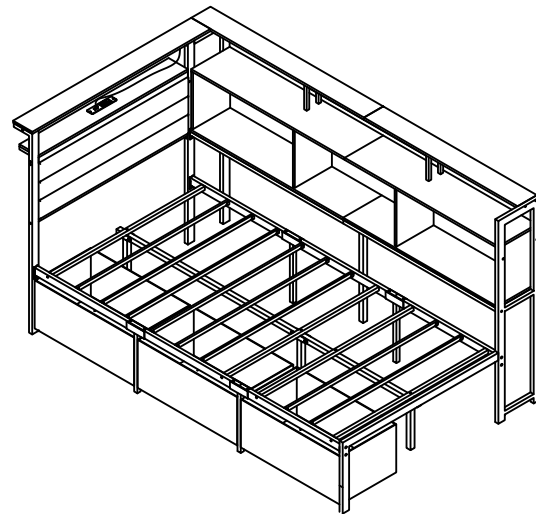
Ø5x40

x10

Accessories

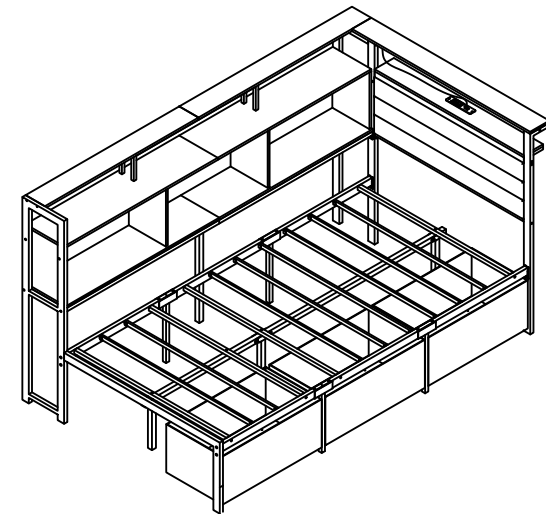


step1-step29



Type1

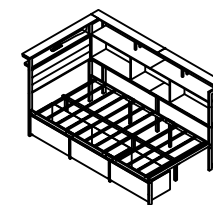
step30-step58



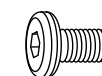
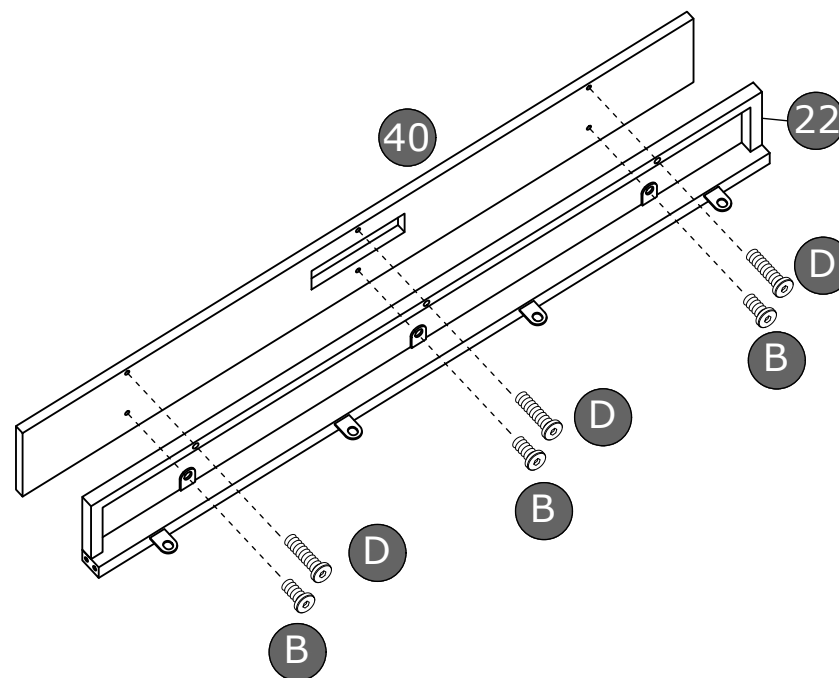
Type2

 **step 1**

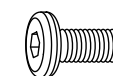
Connect parts 22 and 40 using screws B and D (screw D fixes the iron pipe, screw B fixes the iron plate)



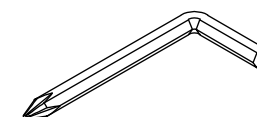
Type1



B x3pcs



D x3pcs



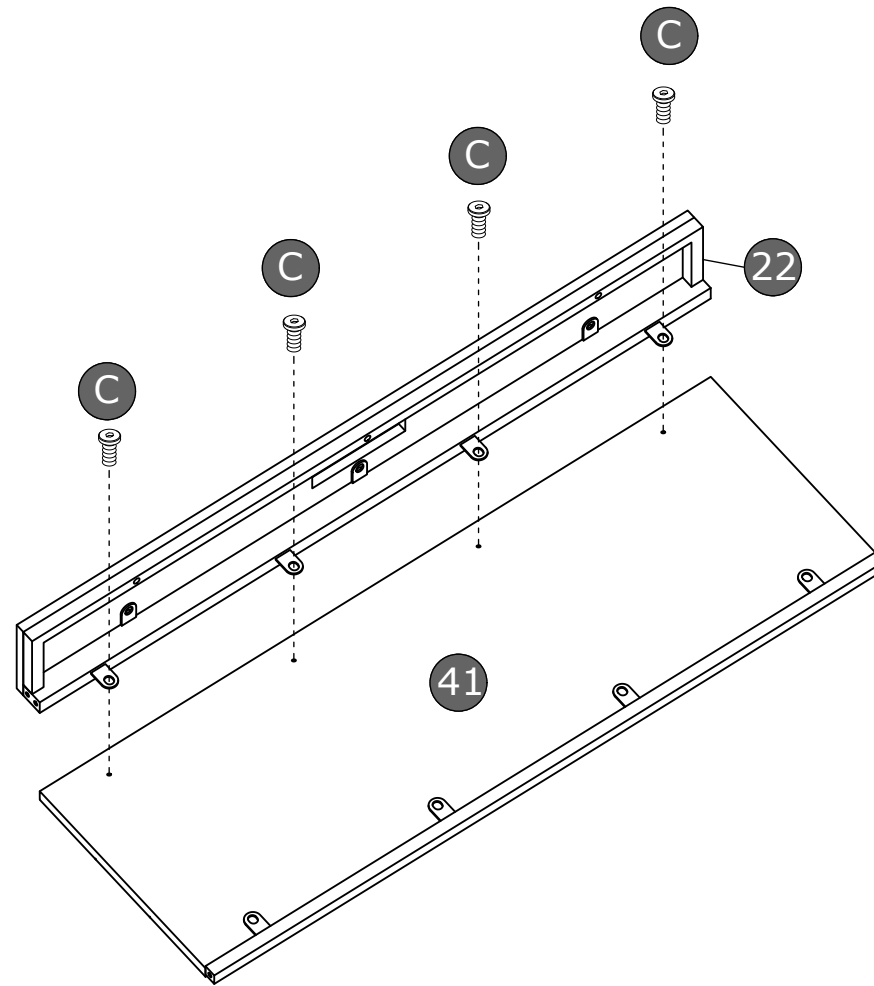
P x1pc

1

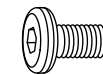


step 2

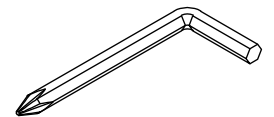
Connect parts 22 and 41 using screw C



2



C x4pcs

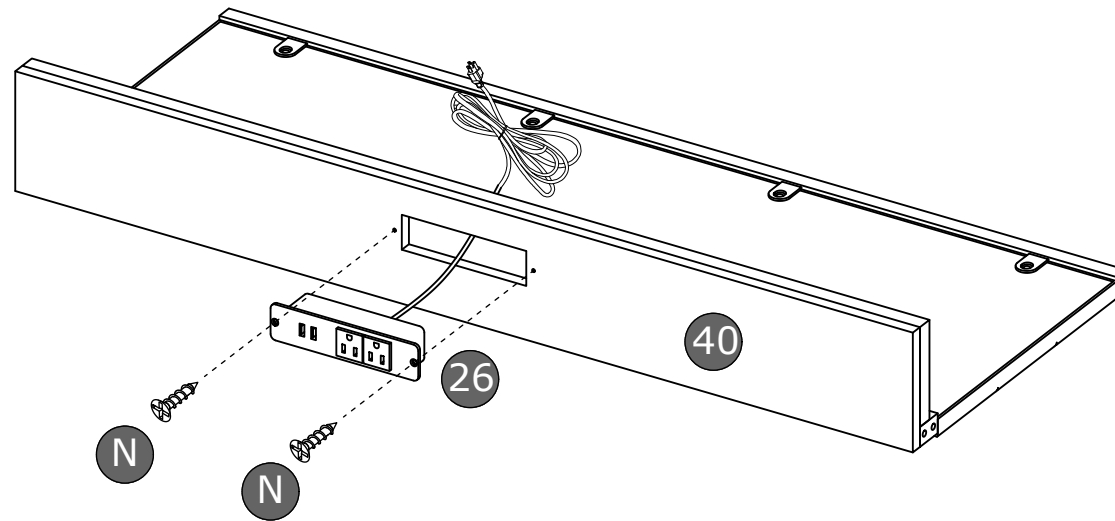


P x1pc



step 3

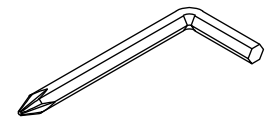
Connect parts 26 and 40 using screw N



3



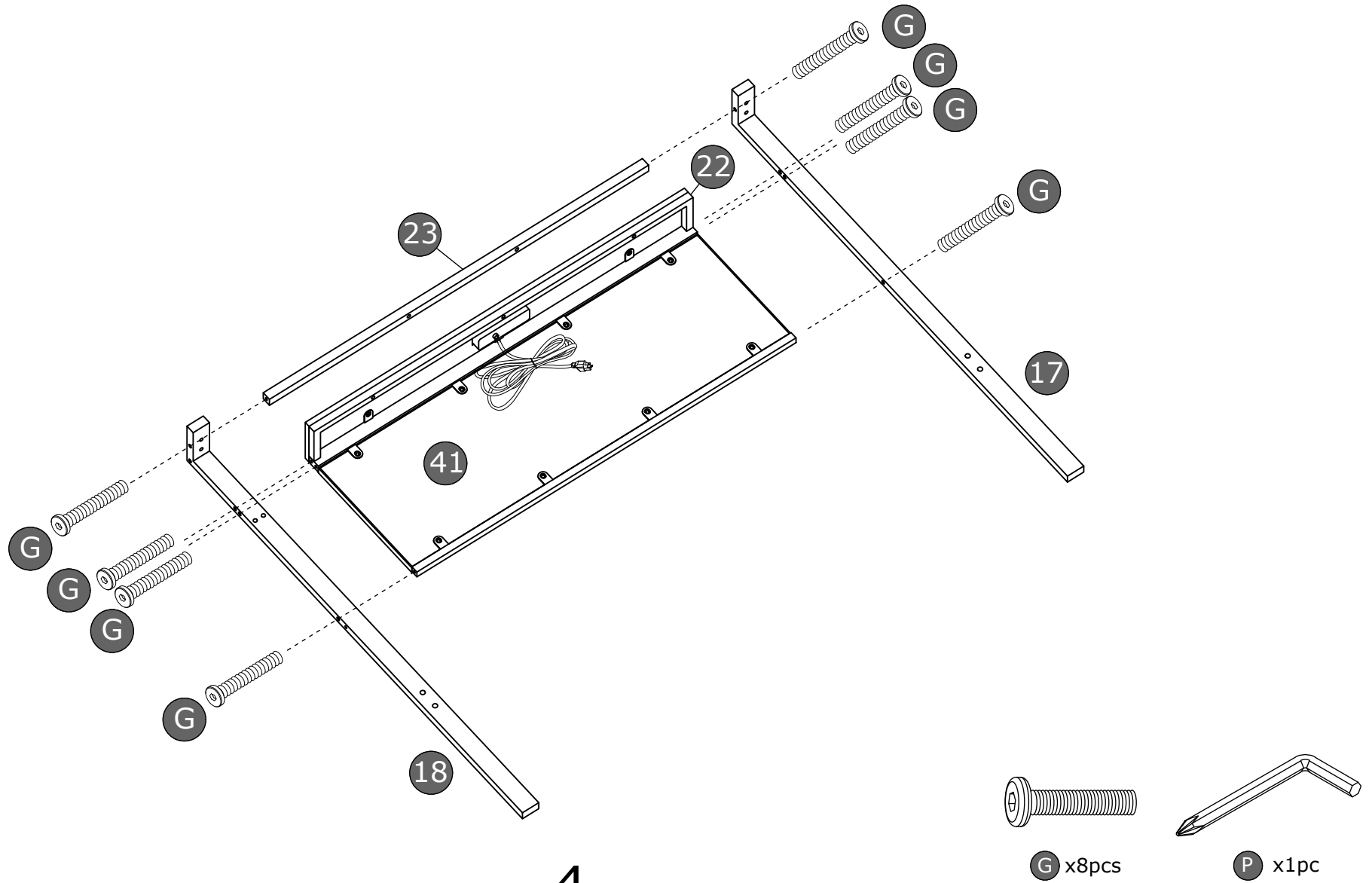
N x2pcs



P x1pc

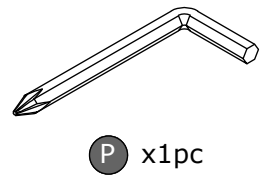
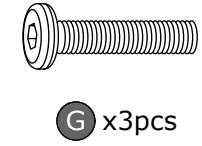
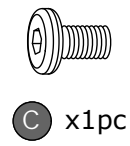
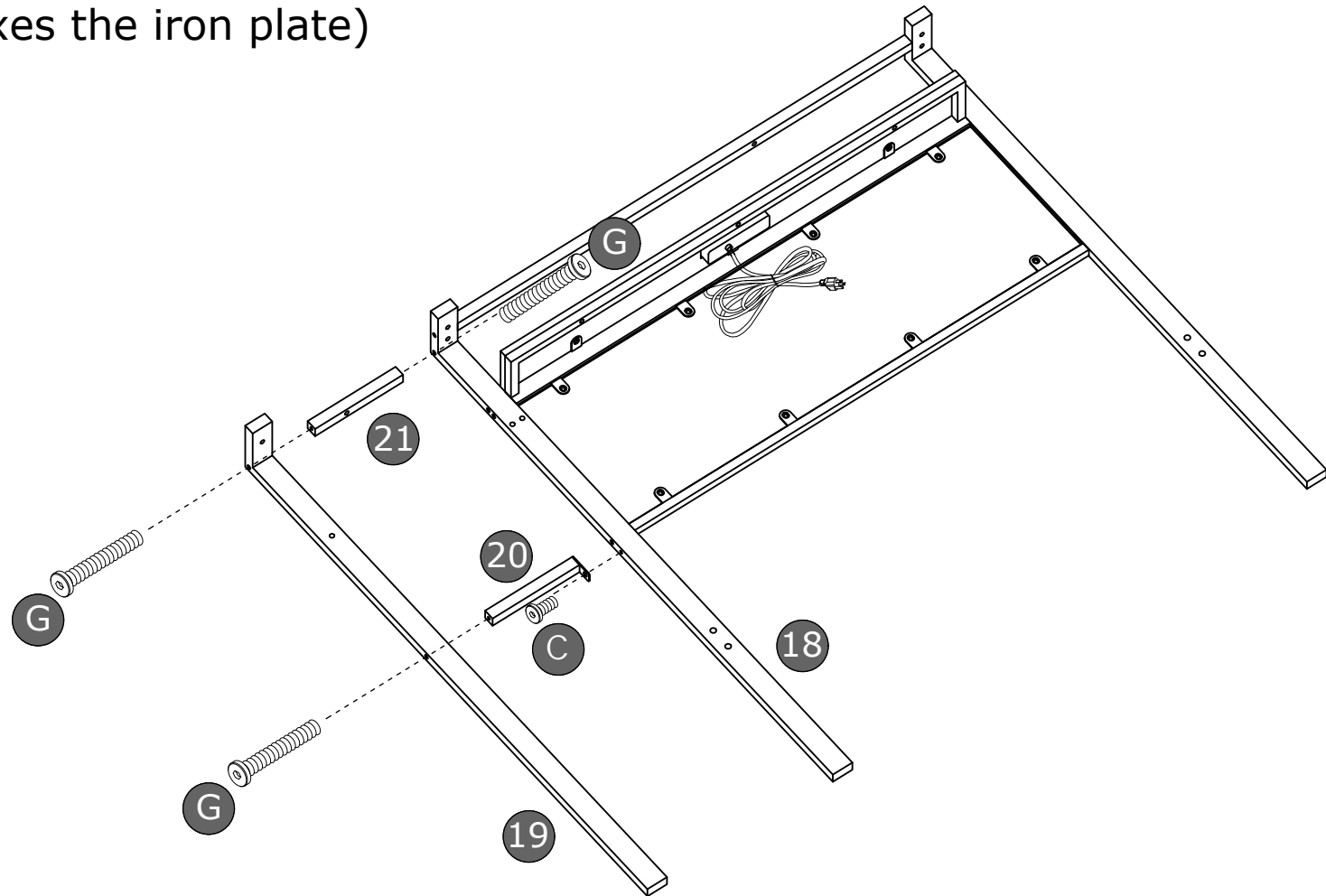
 **step 4**

Connect parts 17/18 and 23/installed frame using screw G



 **step 5**

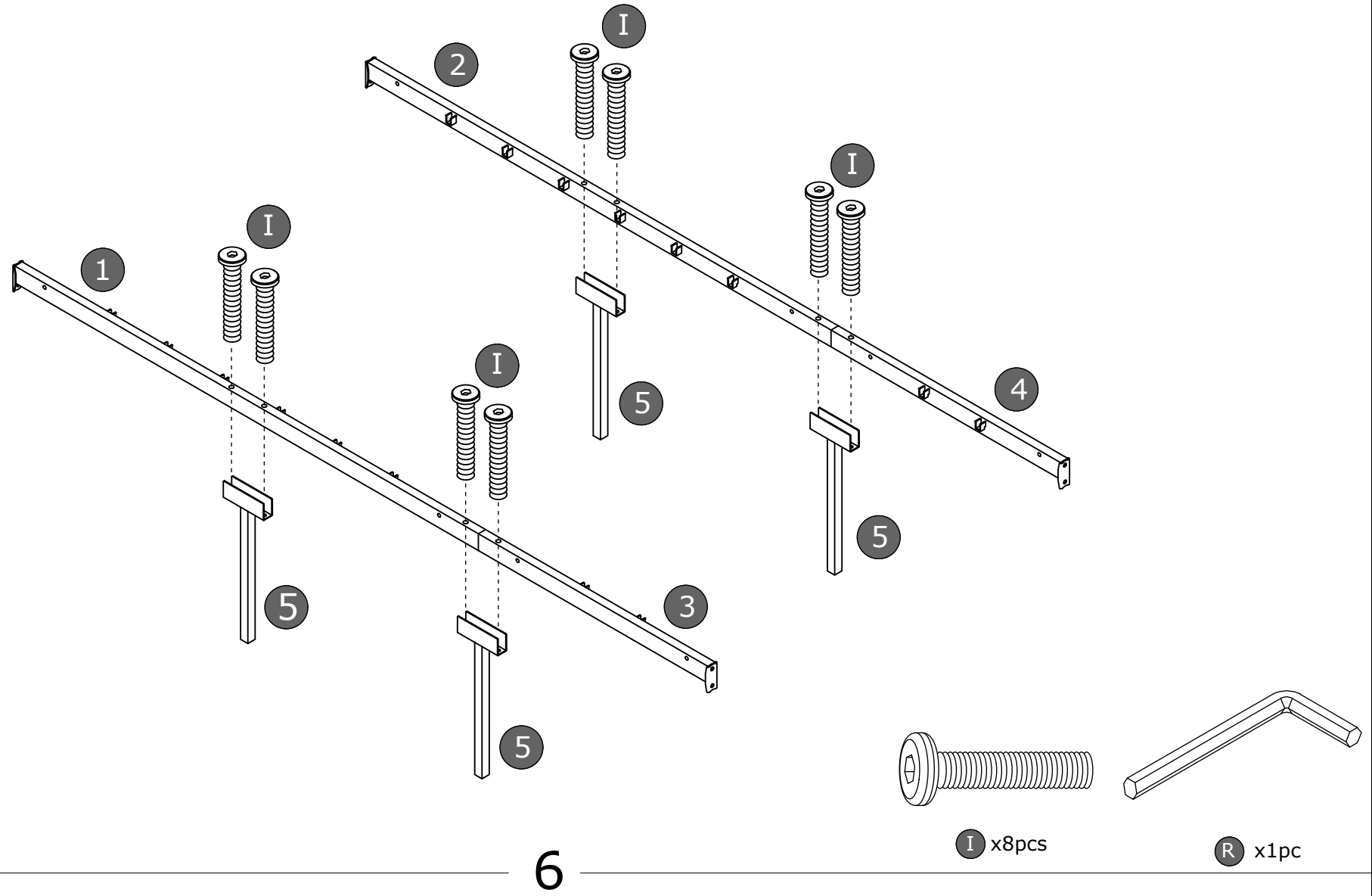
Connect parts 18/19/20/21 using screws C and G (screw G fixes the iron pipe, screw B fixes the iron plate)





step 6

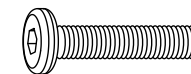
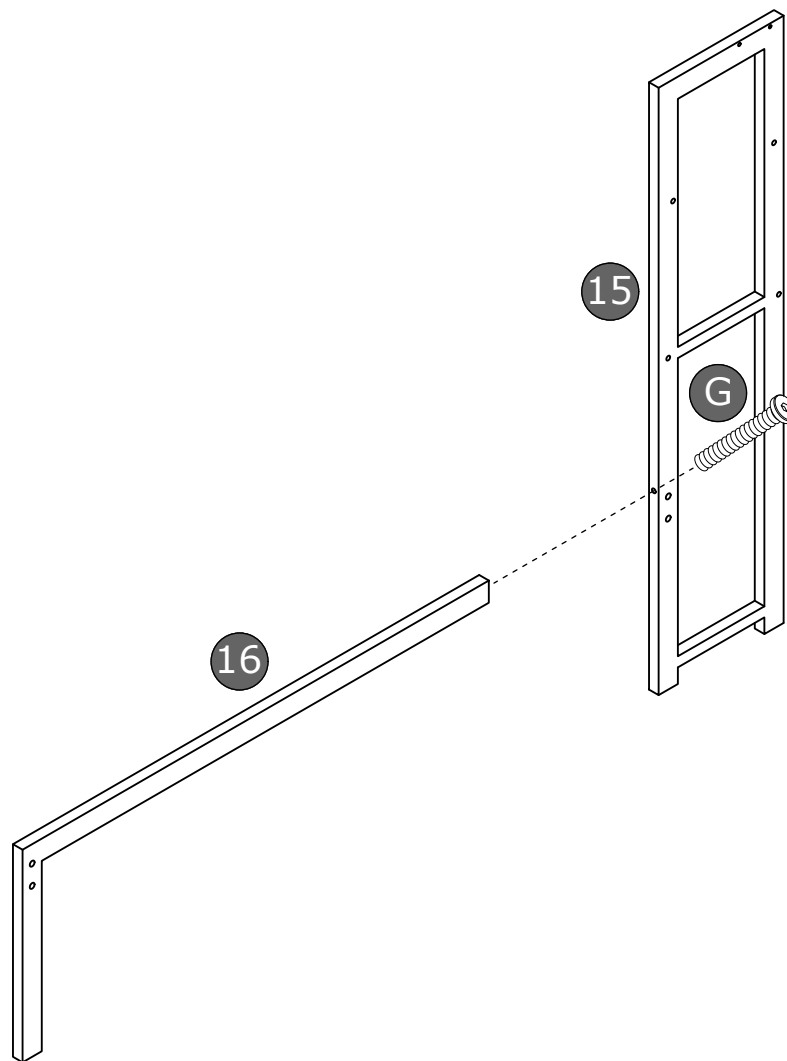
Connect part 5 and parts 1/2/3/4 using screw I



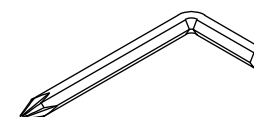


step 7

Connect parts 15 and 16 using screw G



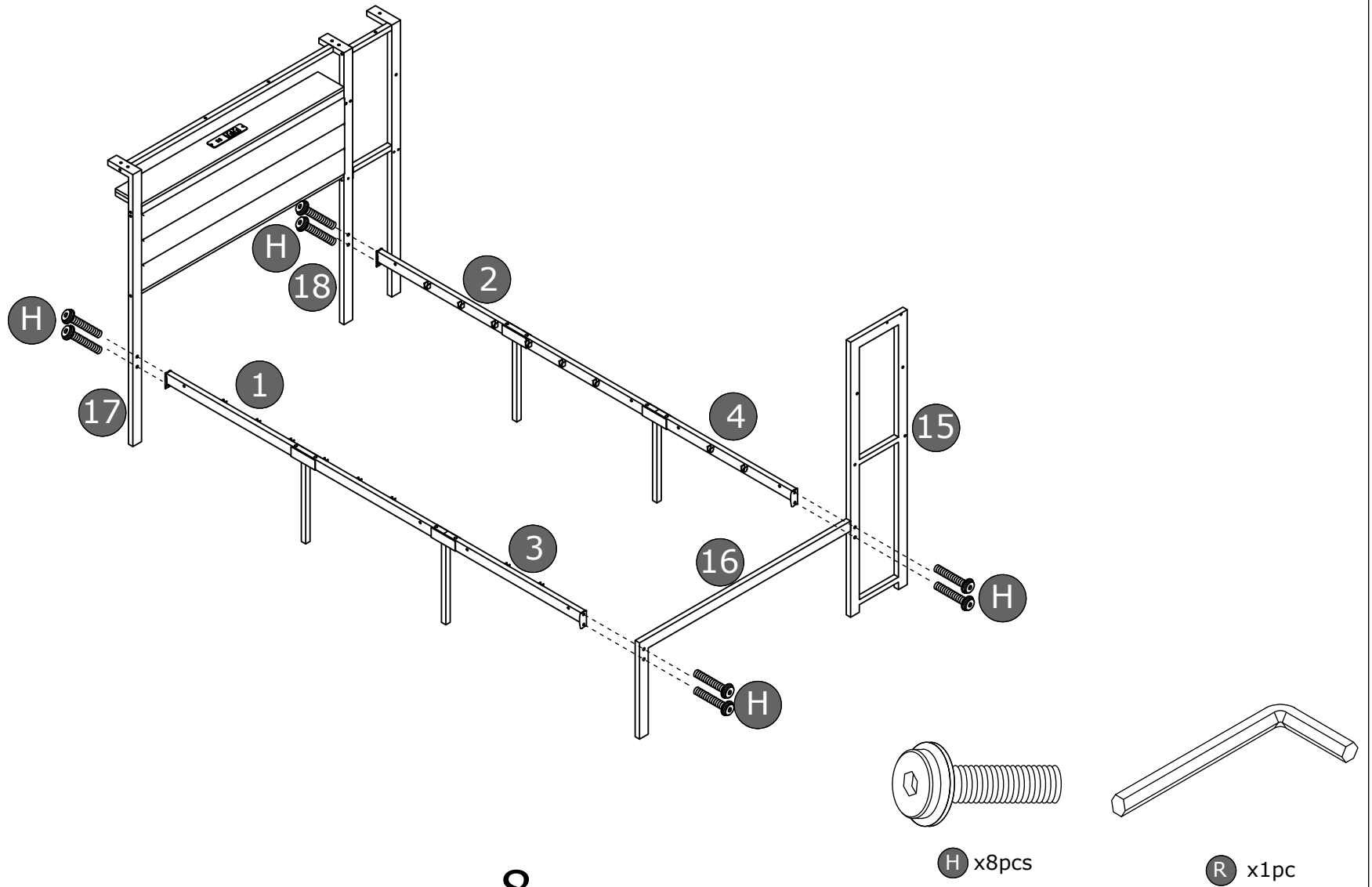
G x1pc



P x1pc

 **step 8**

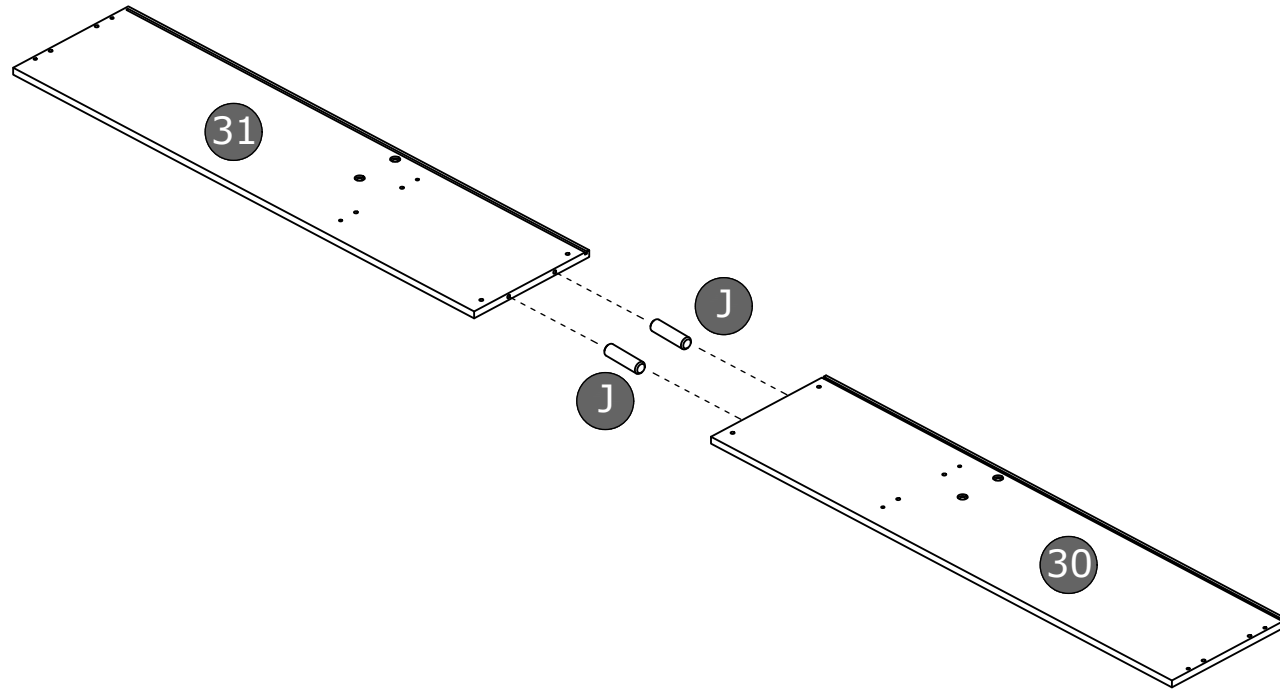
Connect parts 1/2 to the headboard frame and parts 3/4 to the footboard frame using screw H



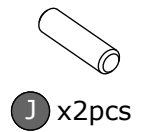


step 9

Connect parts 30 and 31 using J



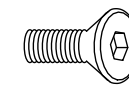
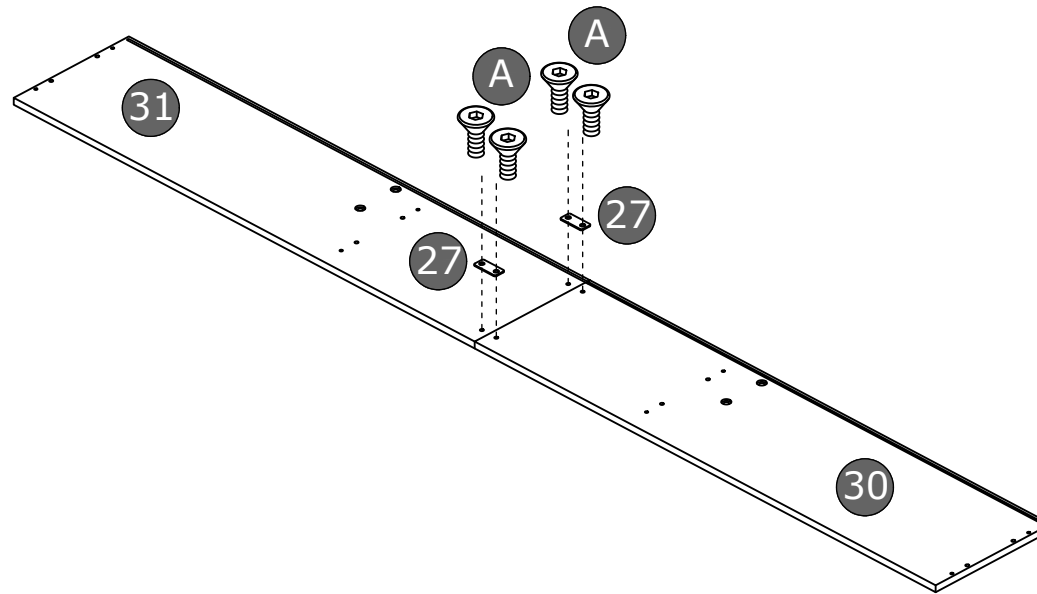
9



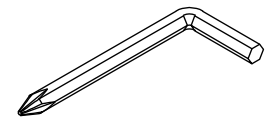


step 10

Connect part 27 and parts 30/31 using screw A



A x4pcs

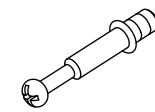
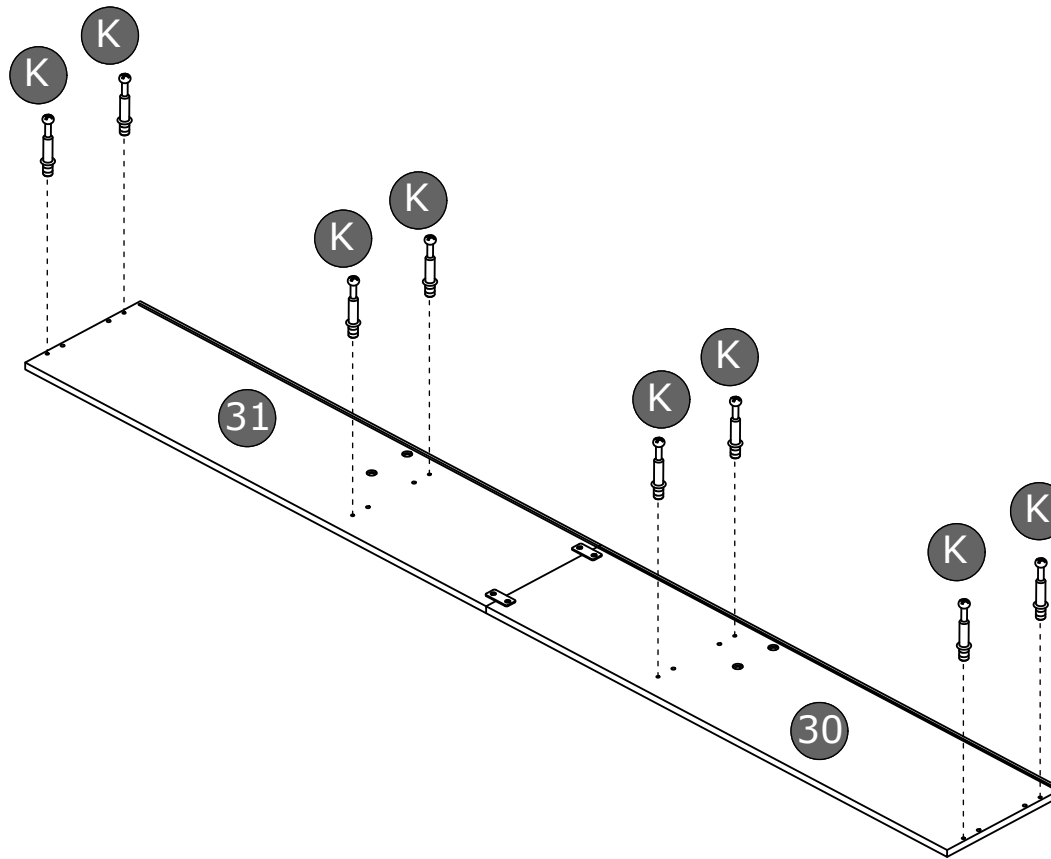


P x1pc

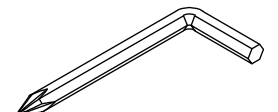


step 11

Insert K into the holes of parts 30/31



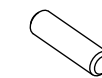
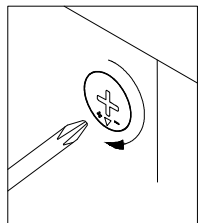
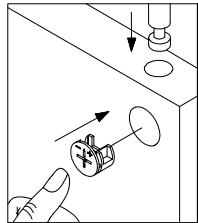
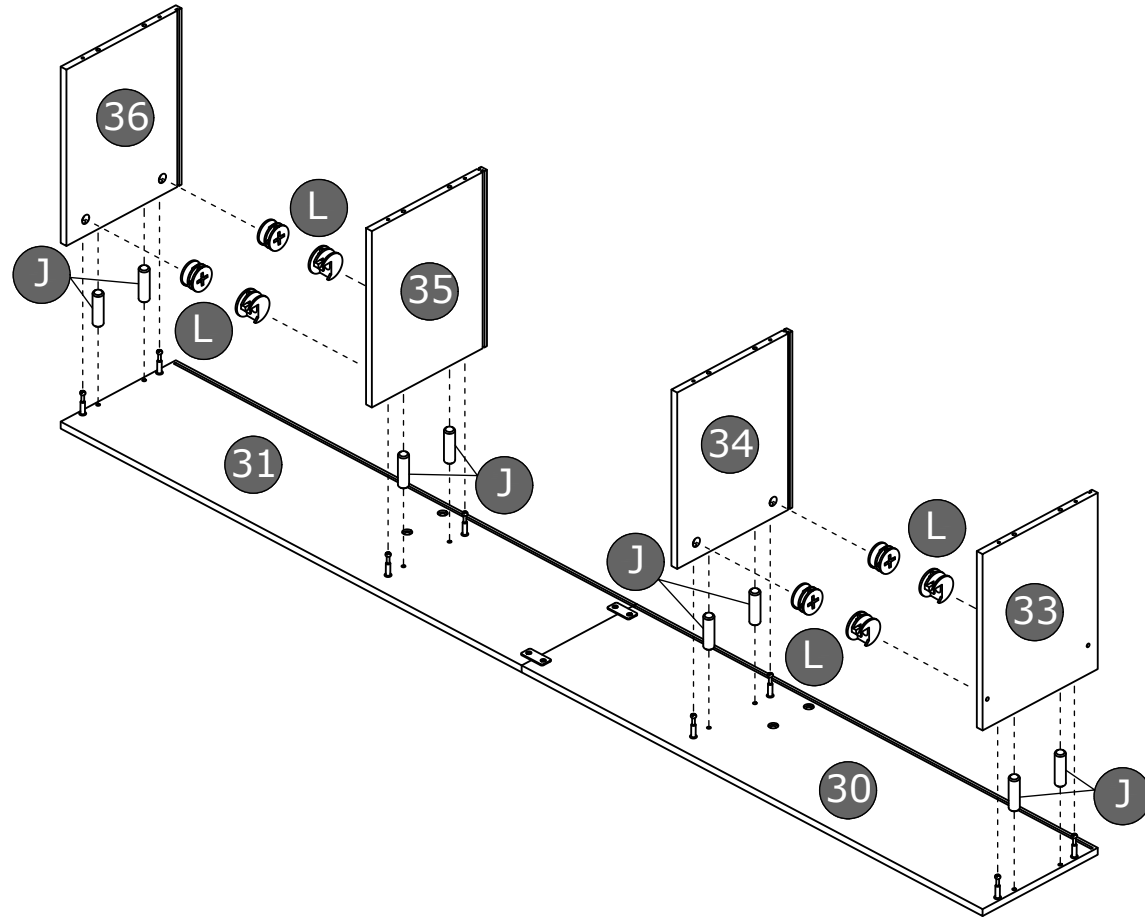
K x8pcs



P x1pc

 **step 12**

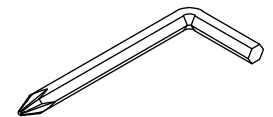
Connect parts 33/34 to part 30 and parts 35/36 to part 31 using K/J
Then insert knob L and tighten.



J x8pcs



L x8pcs

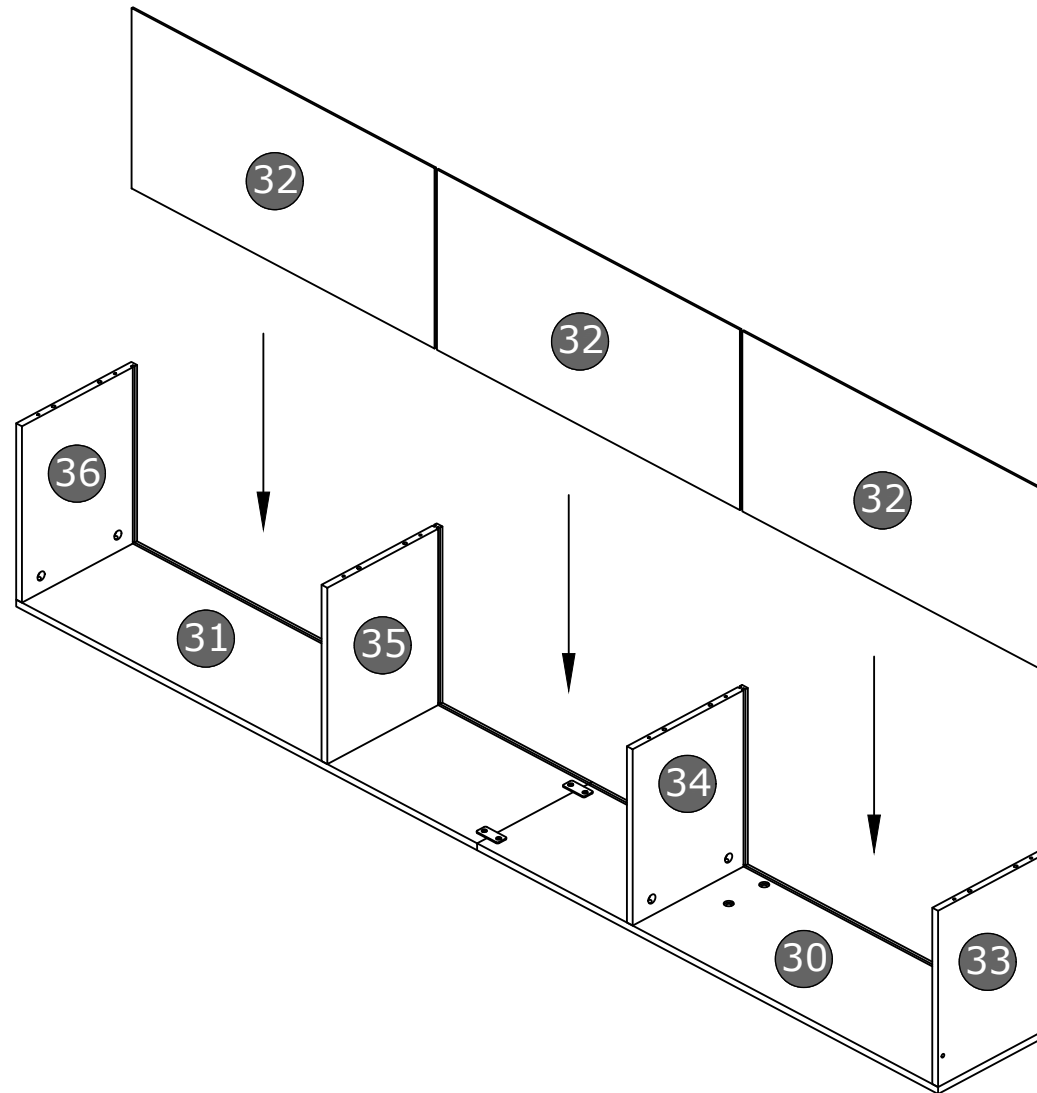


P x1pc



step 13

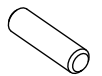
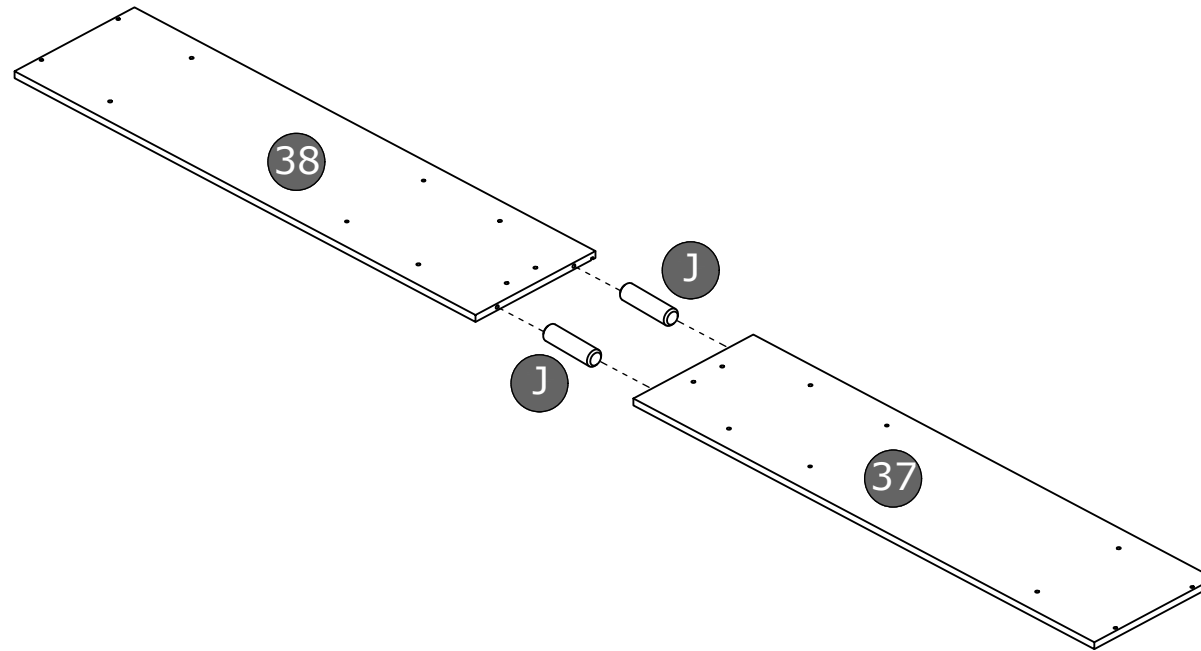
Insert three pieces of 32 into the grooves





step 14

Insert three pieces of 32 into the grooves

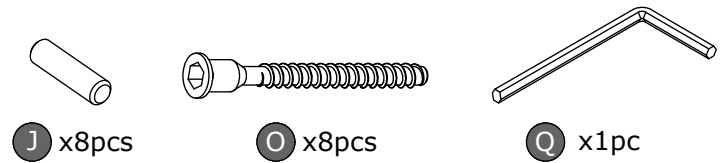
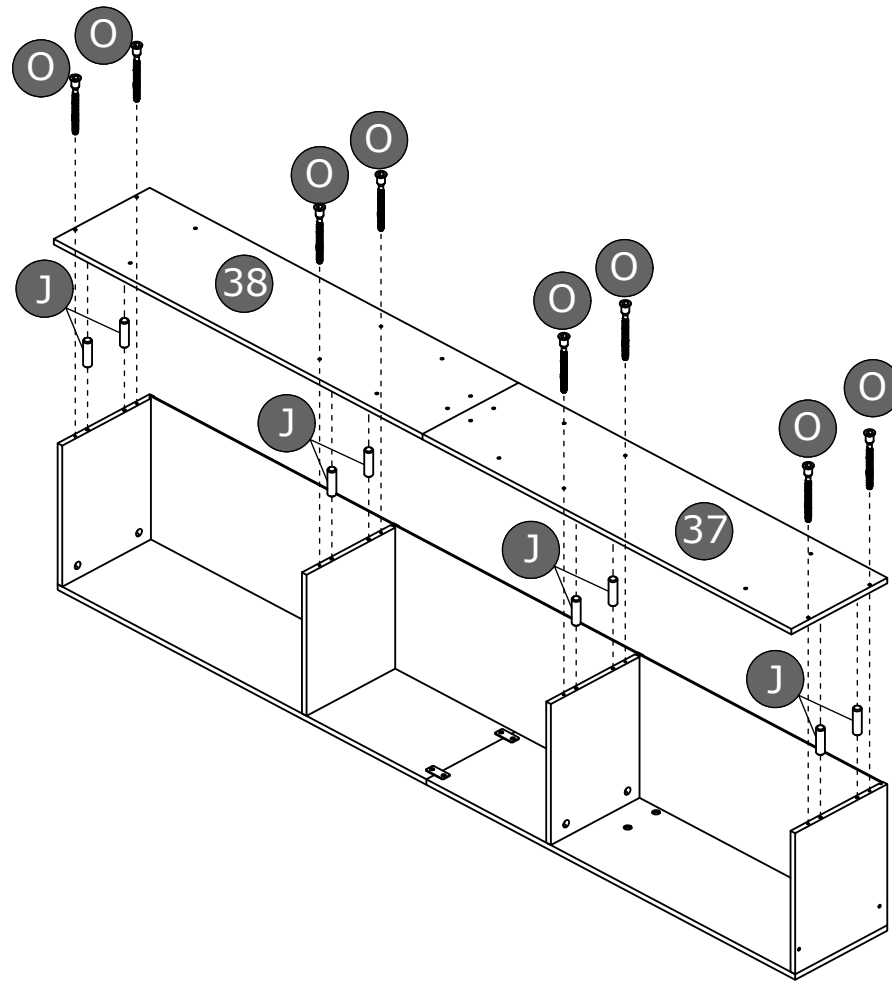


J x2pcs



step 15

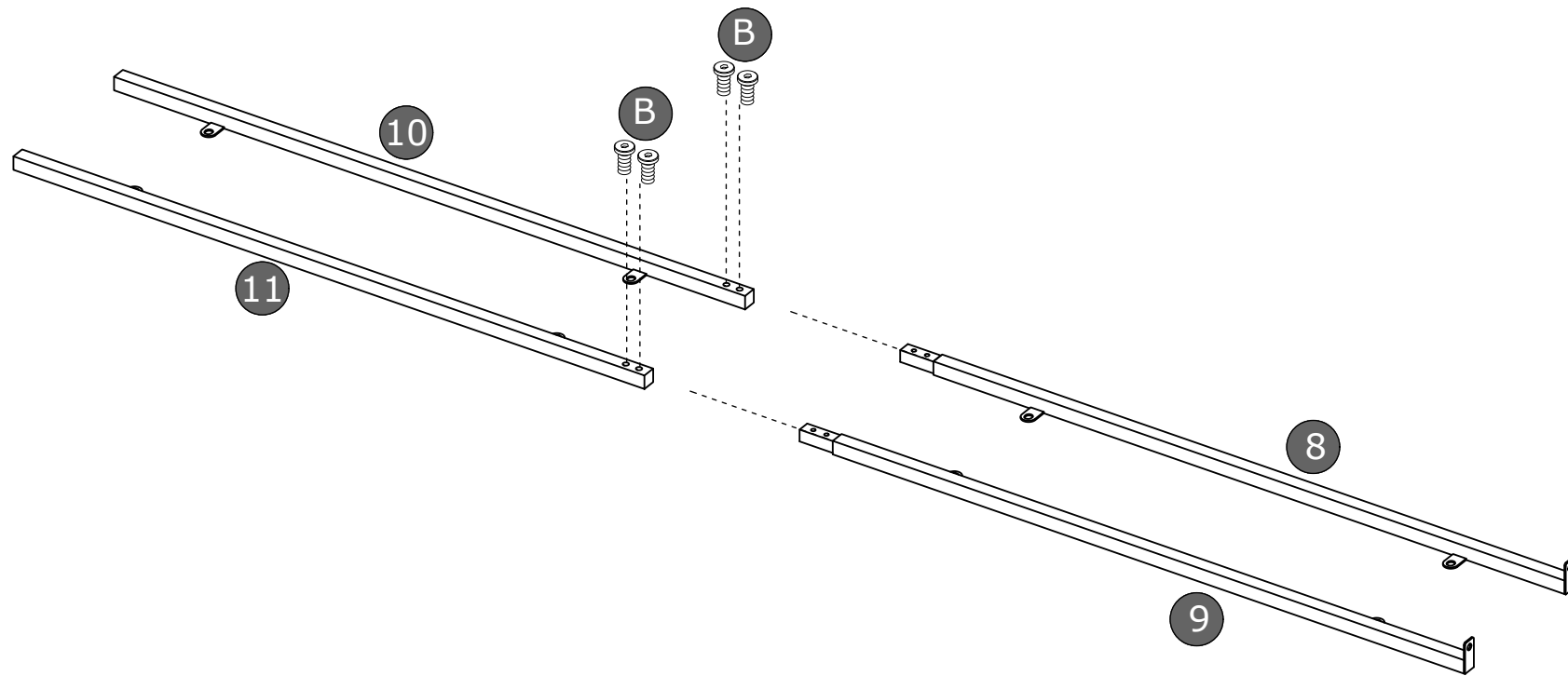
Connect parts 37/38 to the installed frame using J and screw O



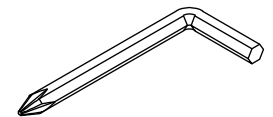


step 16

Connect part 8 and part 10, and part 9 and part 11 using screw B



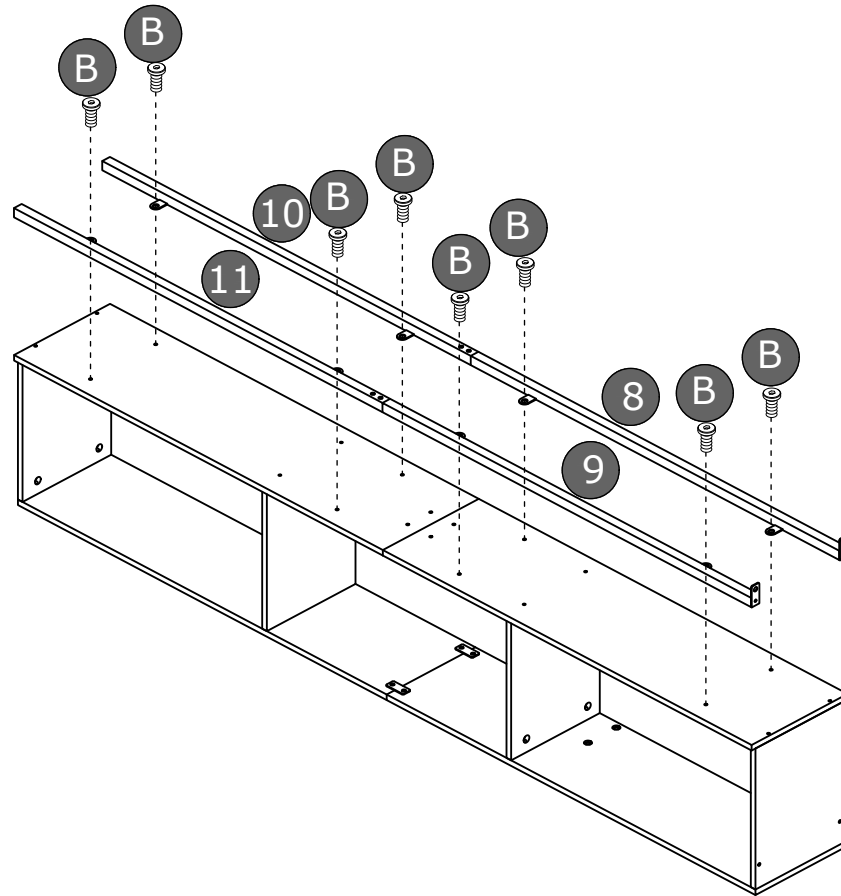
B x4pcs



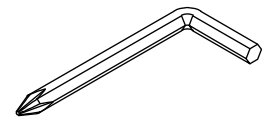
P x1pc

 **step 17**

Connect parts 8/9/10/11 to the installed shelf using screw B



B x8pcs

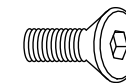
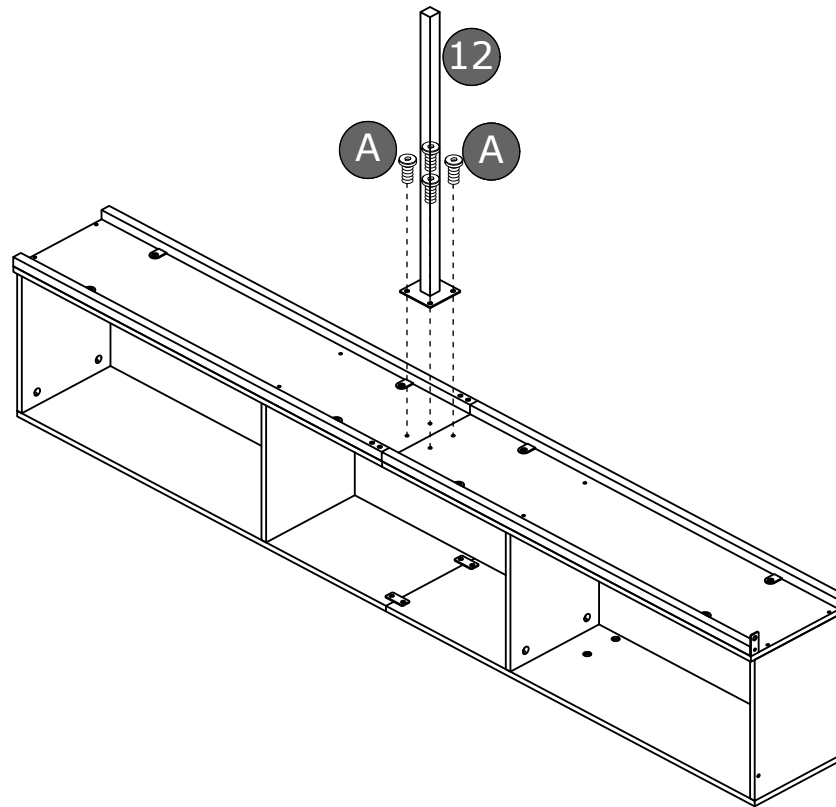


P x1pc

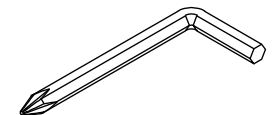


step 18

Connect part 12 to the installed frame using screw A



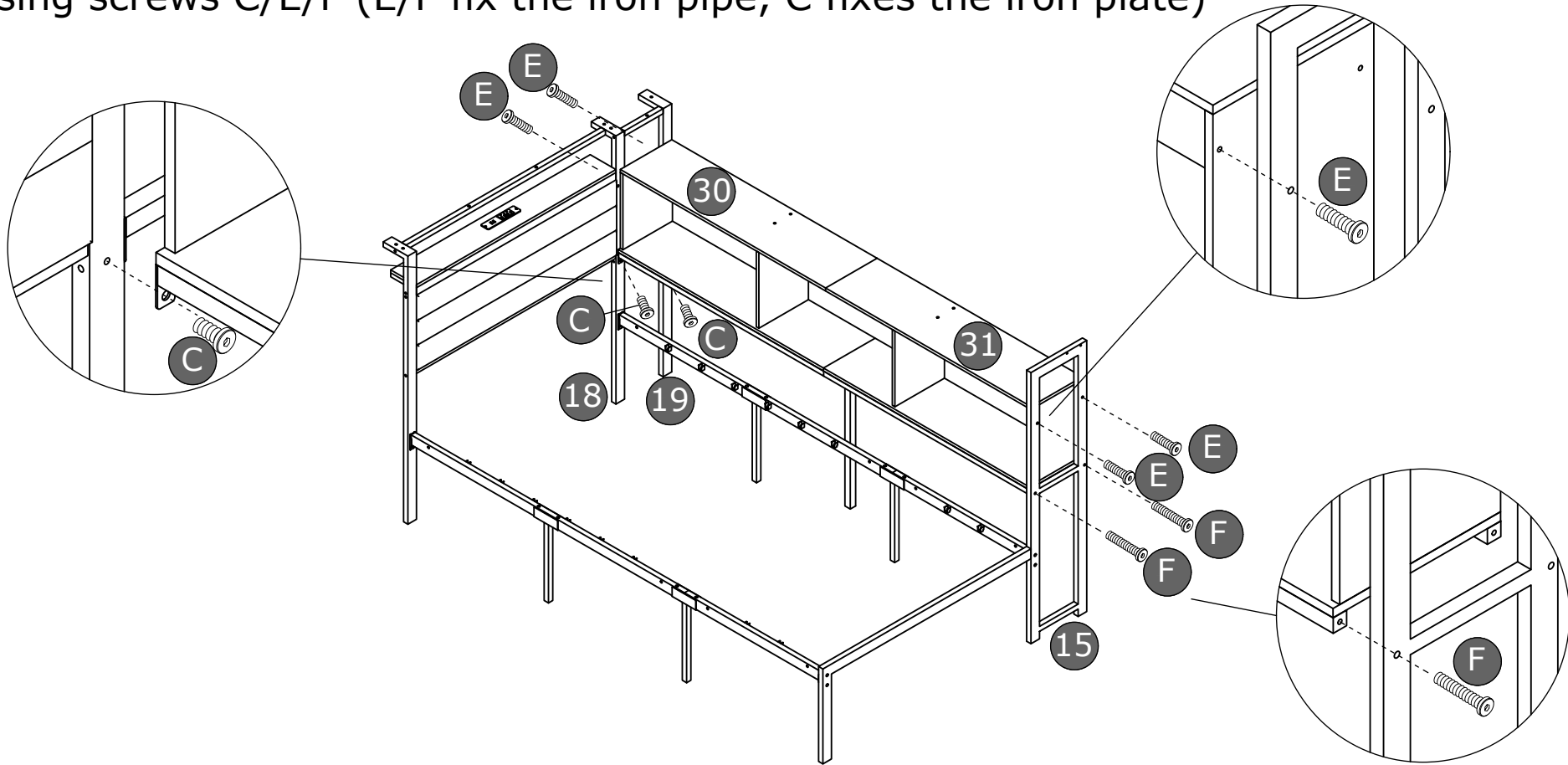
A x4pcs



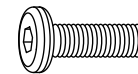
P x1pc

 **step 19**

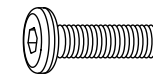
Step19: Connect the installed shelf and the installed bed frame using screws C/E/F (E/F fix the iron pipe, C fixes the iron plate)



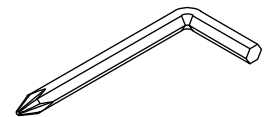
C x2pcs



E x4pcs



F x2pcs

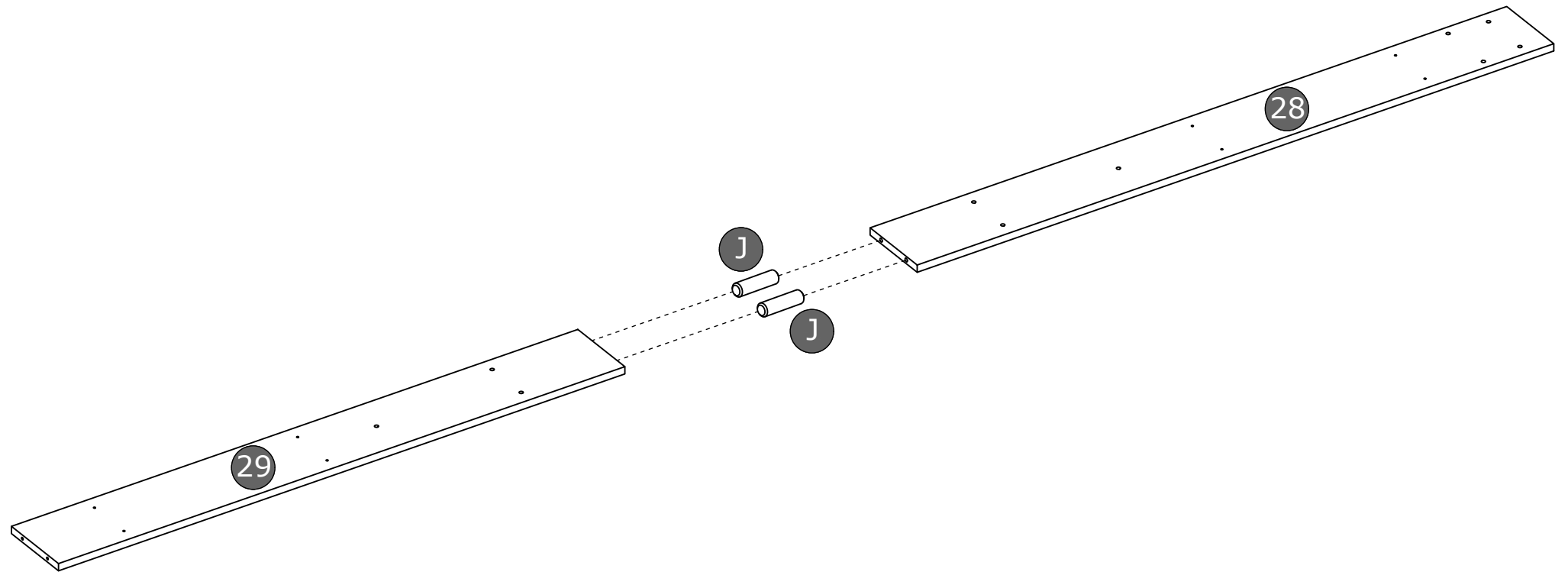


P x1pc

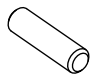


step 20

Connect parts 28 and 29 using J



20

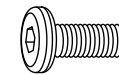
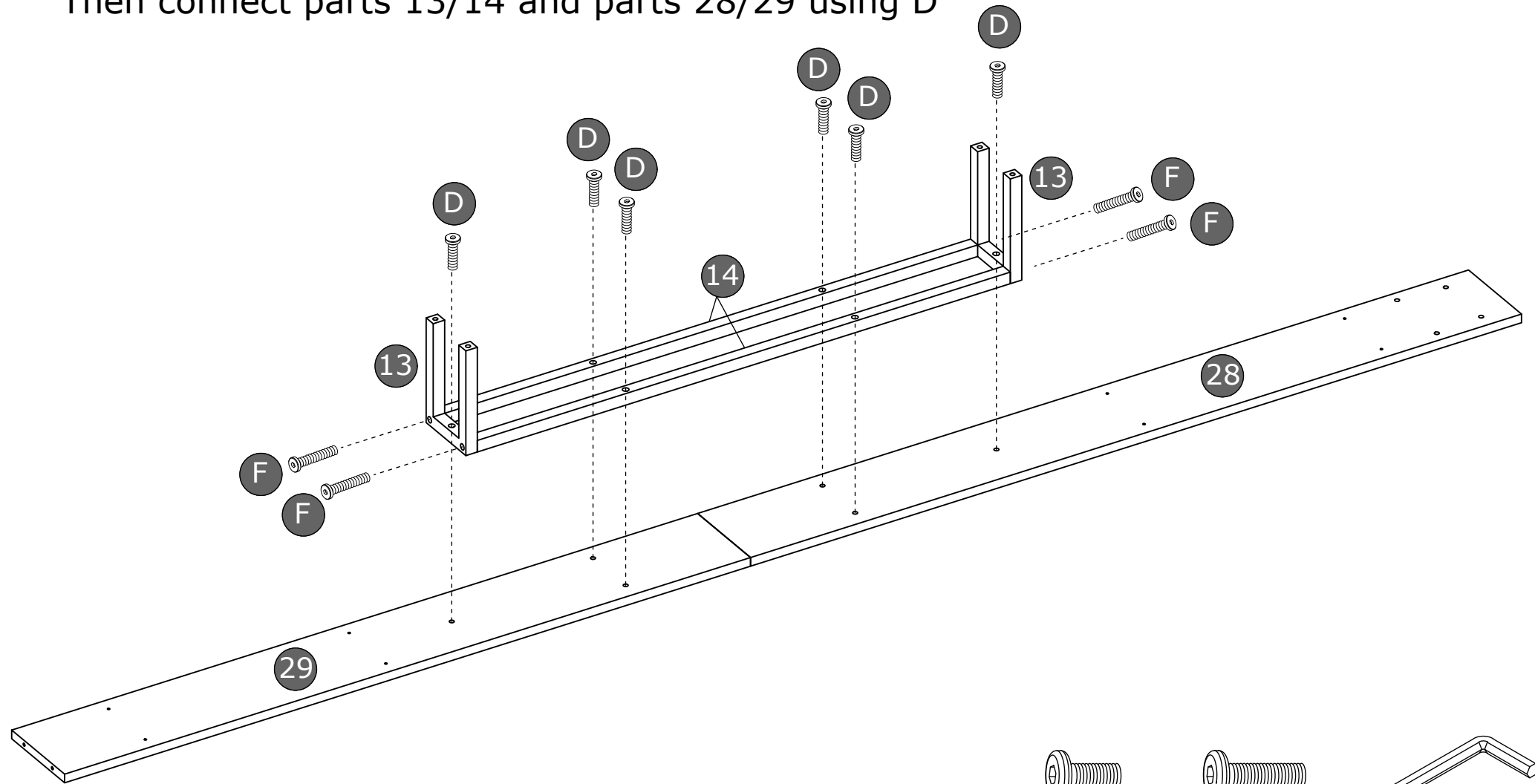


J x2pcs

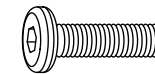
 **step 21**

Connect parts 13 and 14 using screw F

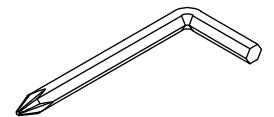
Then connect parts 13/14 and parts 28/29 using D



D x6pcs



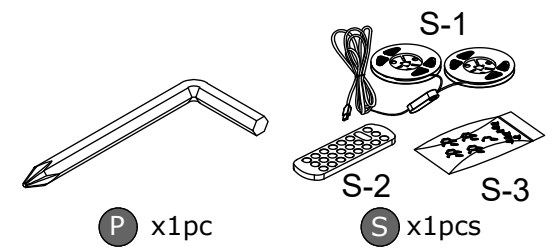
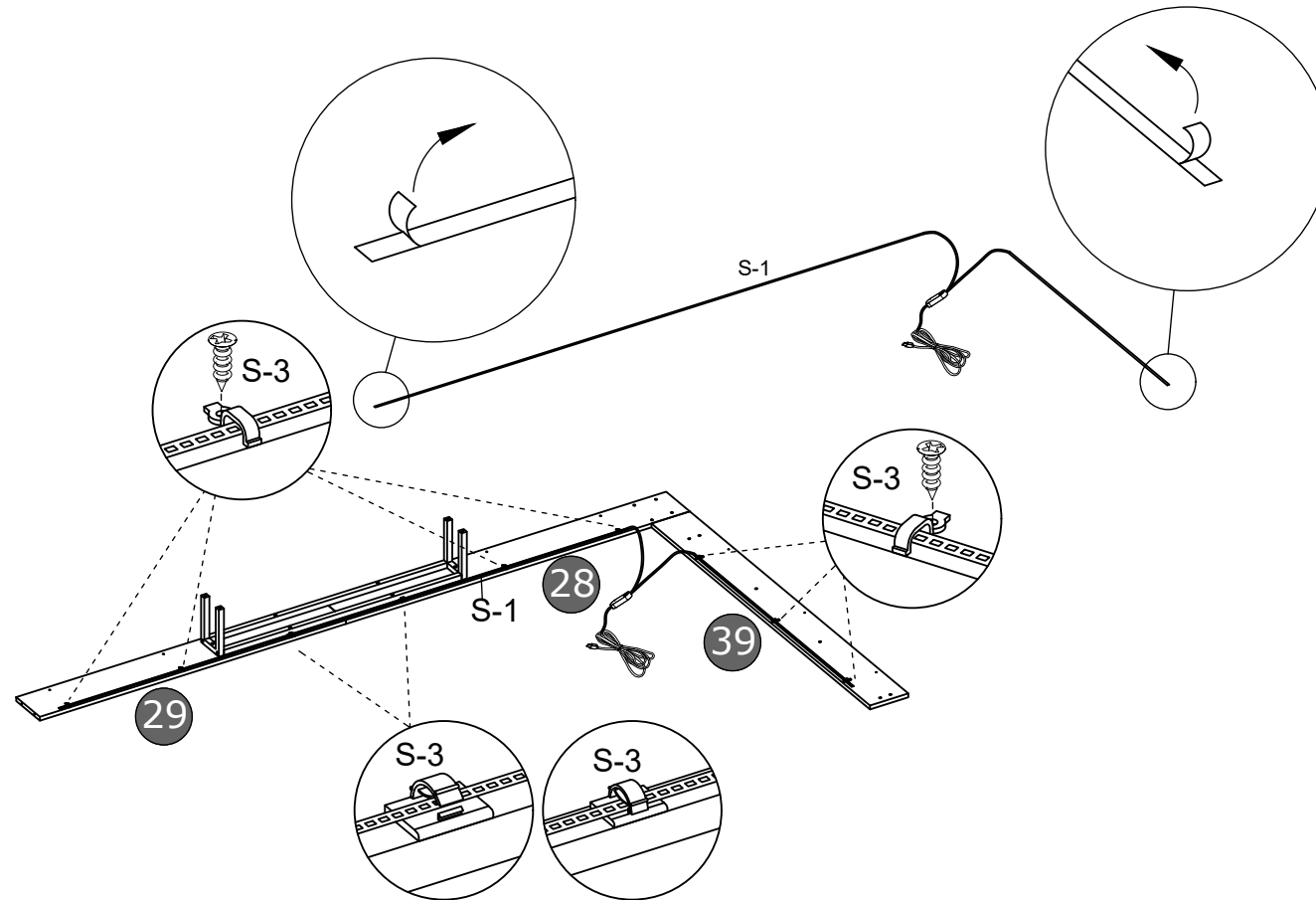
F x4pcs



P x1pc

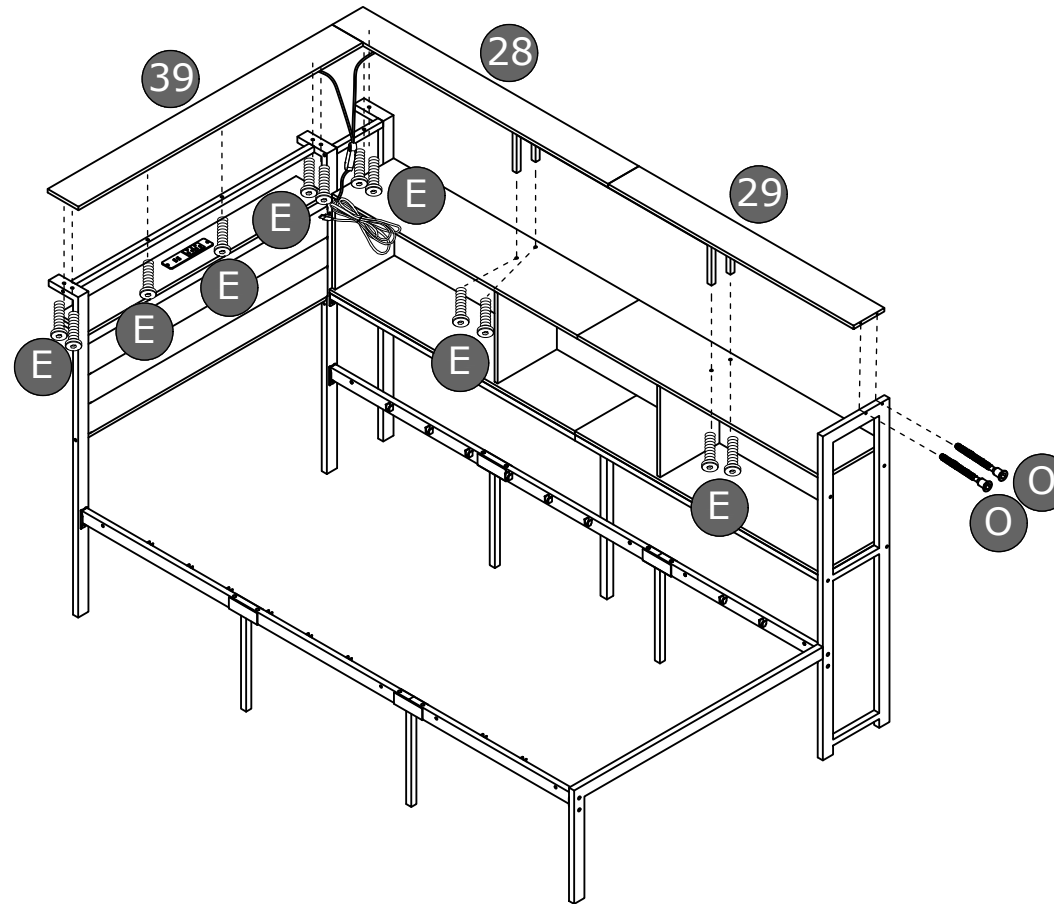
 **step 22**

Peel off the backing paper of S1 and stick it on the back of parts 28/29/39
Then secure using S-3

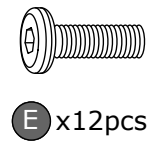


 **step 23**

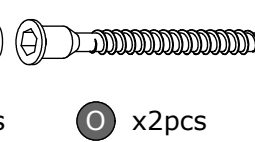
Connect parts 28/29/39 to the installed bed frame using screws E/O



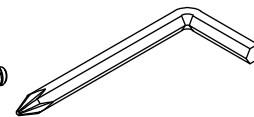
23



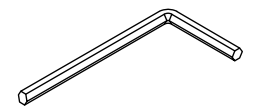
E x12pcs



O x2pcs



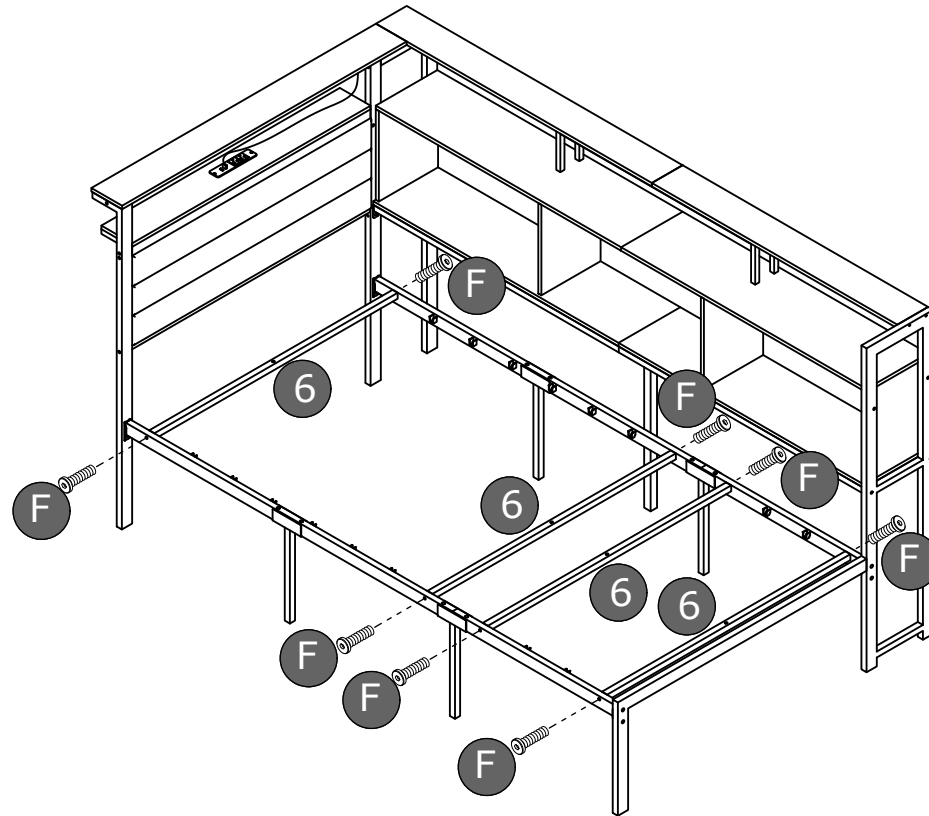
P x1pc



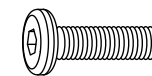
Q x1pc

 step 24

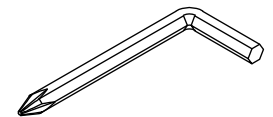
Connect part 6 to the installed bed frame using screw F



Screw F is locked at 70% first! After all the components are assembled, it is locked tightly at 100%.



F x8pcs

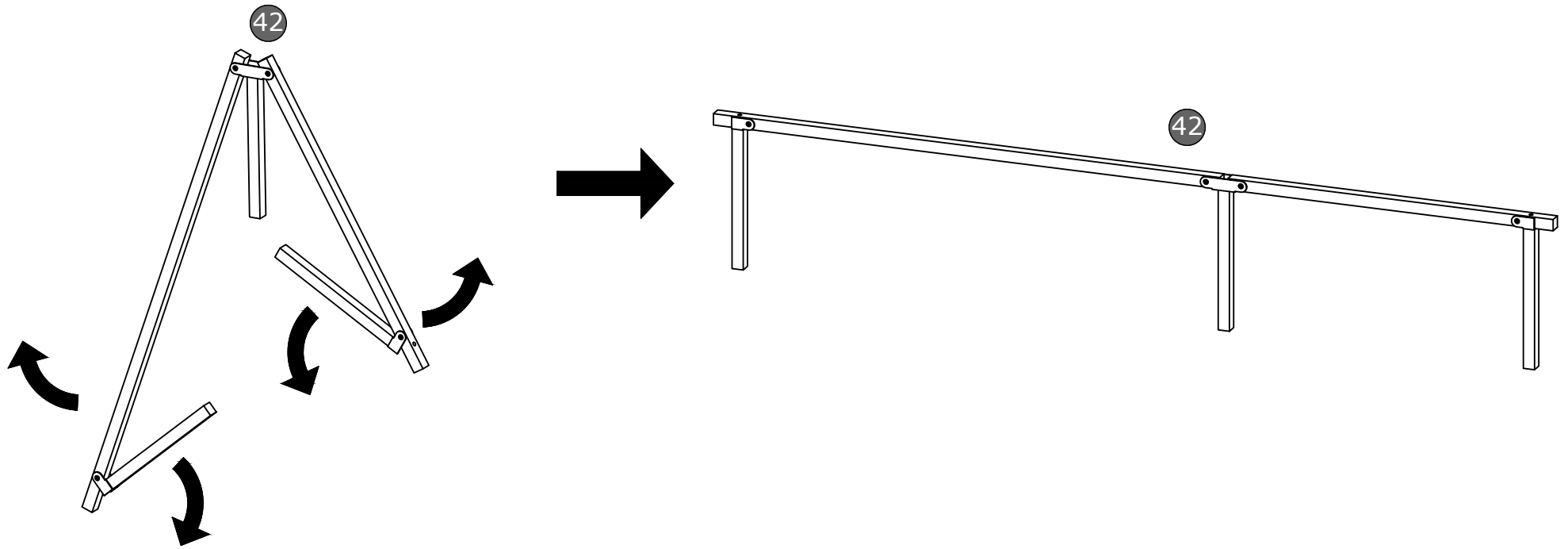


P x1pc



step 25

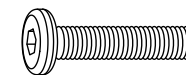
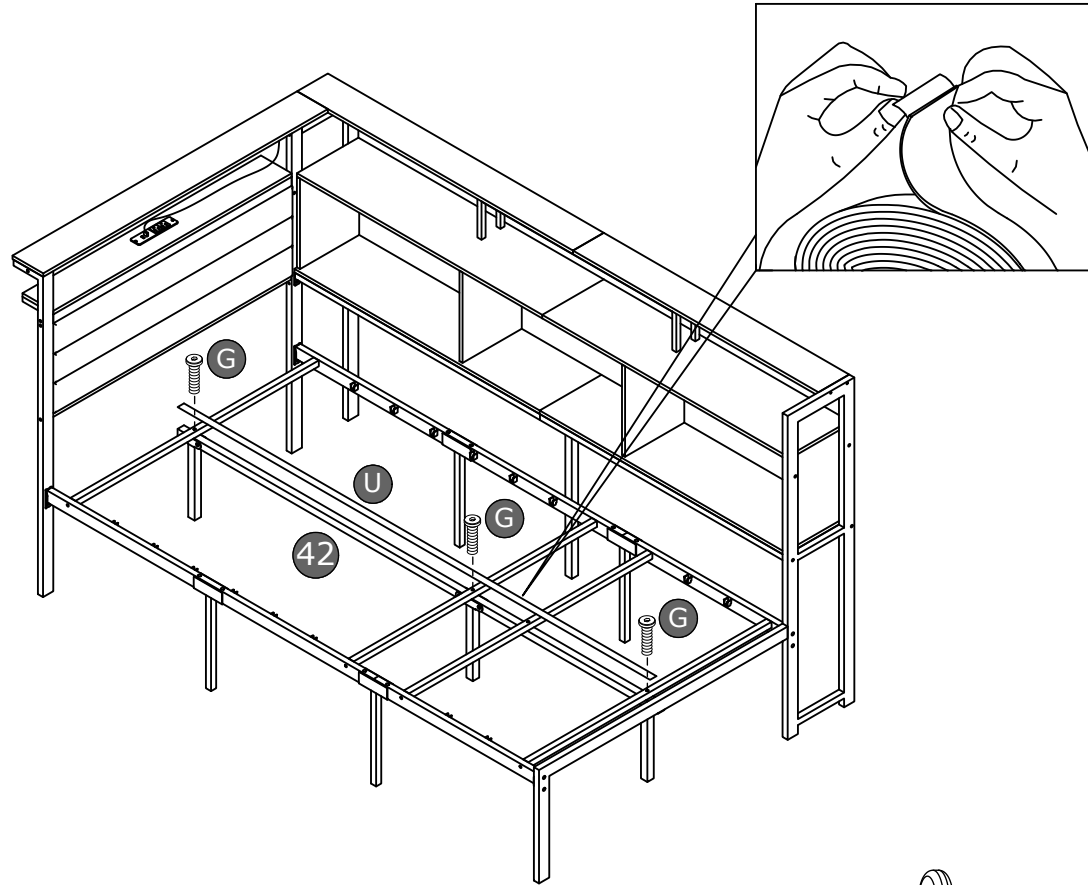
Unfold the frame 42



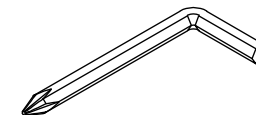
 **step 26**

Fix the metal tube 6 on the frame 42 with screws G

To prevent friction noise, unroll part U and fit it on part 42 , The lenght of part U can cut as you will.



G x3pcs



P x1pc

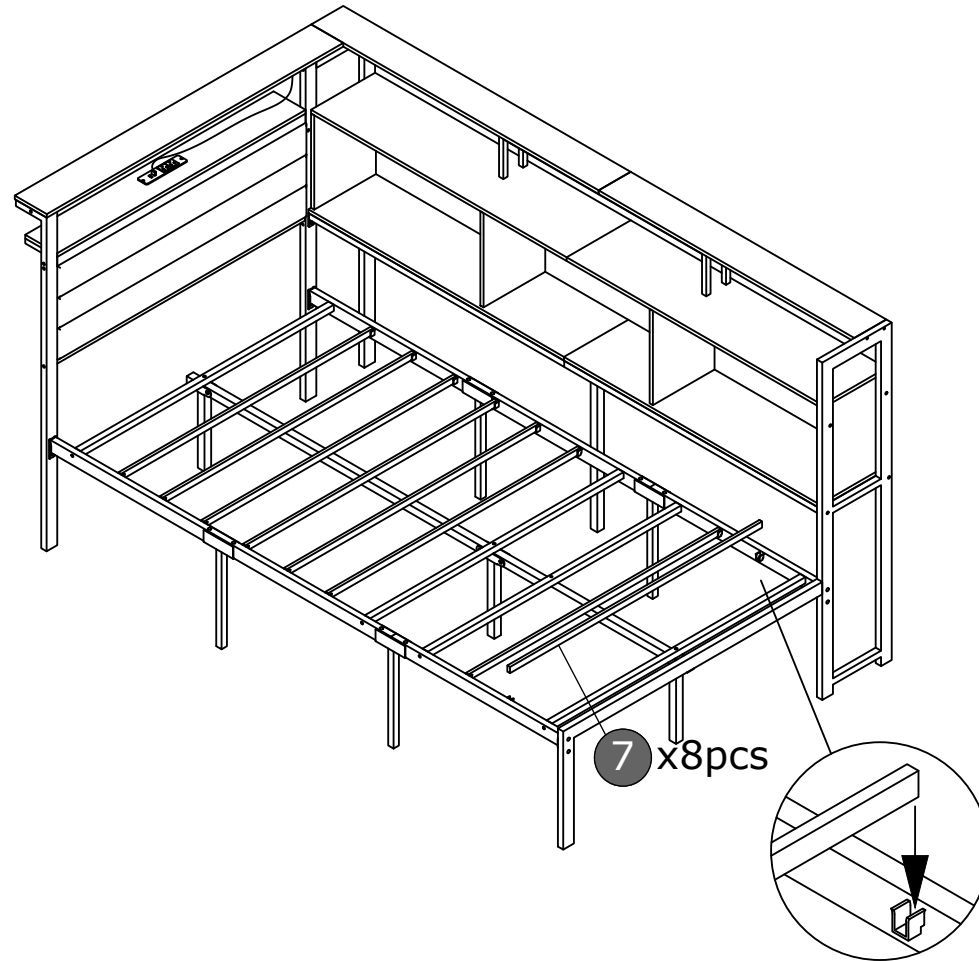


U x1pc



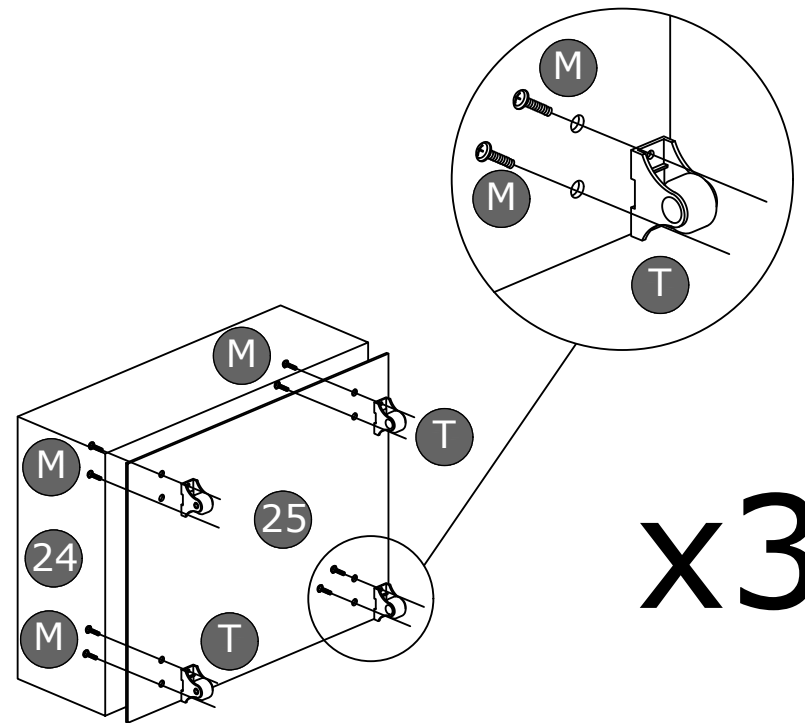
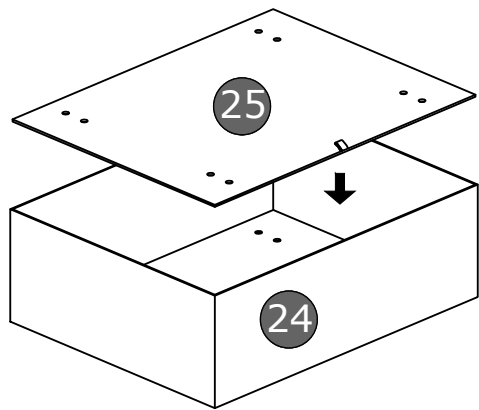
step 27

Insert part 7 into the grooves of the bed frame

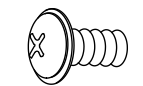


 **step 28**

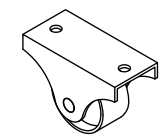
Unfold part 24, place part 25 inside, and then connect part 25 and T using screw M



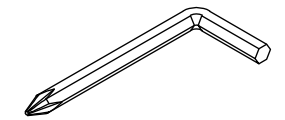
x3



M x24pcs



T x12pcs

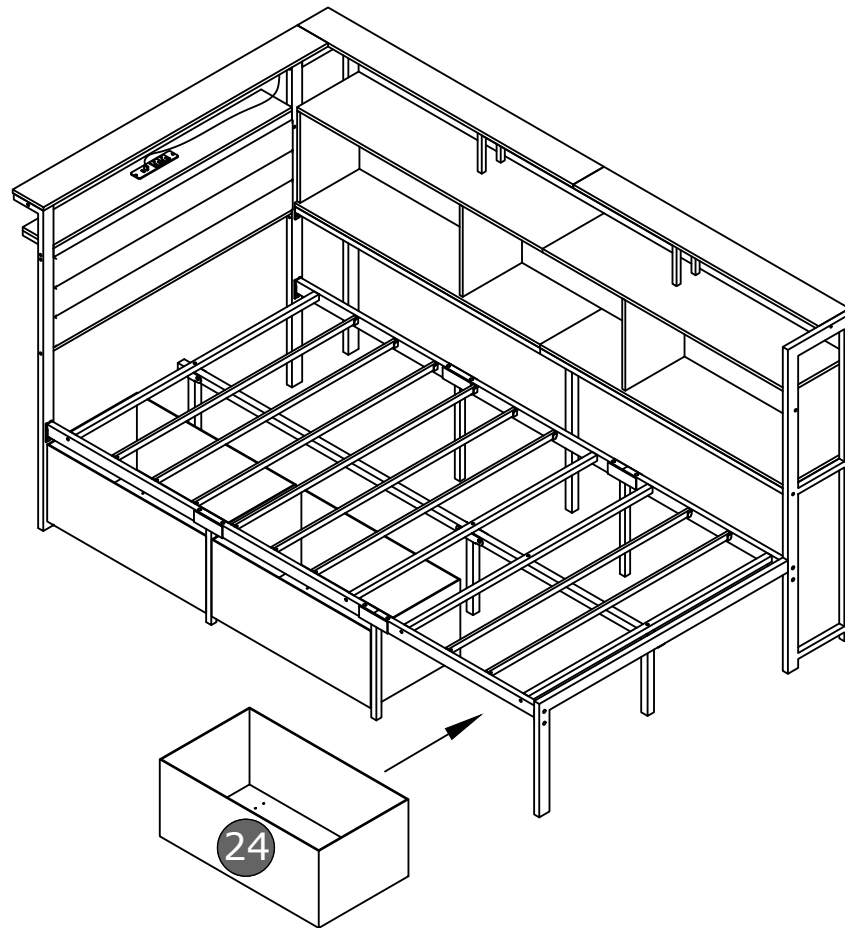


P x1pc



step 29

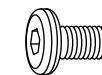
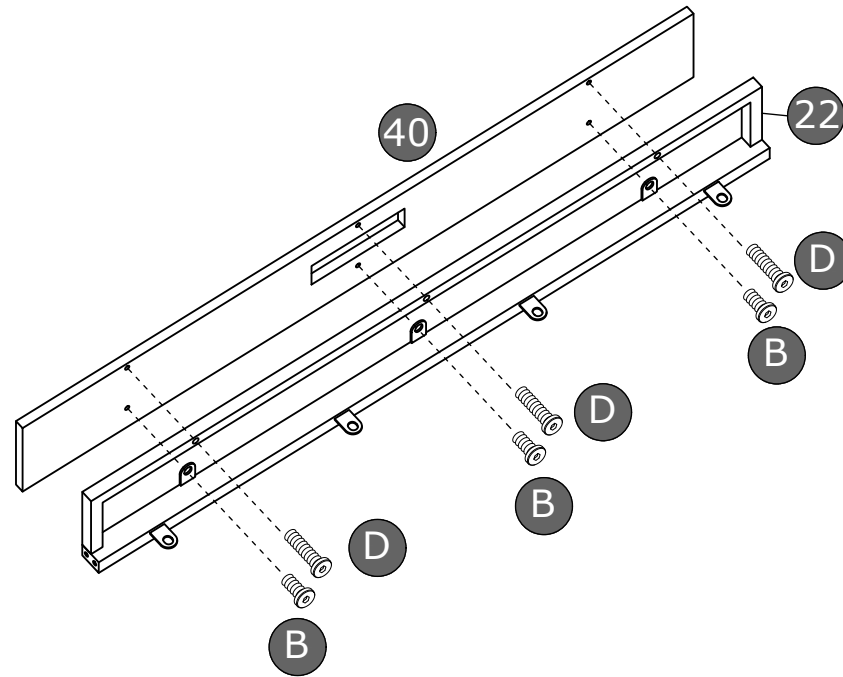
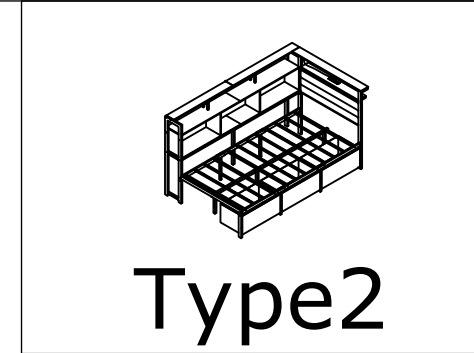
Push the drawer under the bed frame



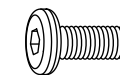
29

 **step 30**

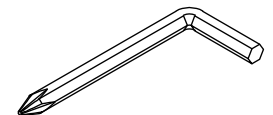
Connect parts 22 and 40 using screws B and D (screw D fixes the iron pipe, screw B fixes the iron plate)



B x3pcs



D x3pcs

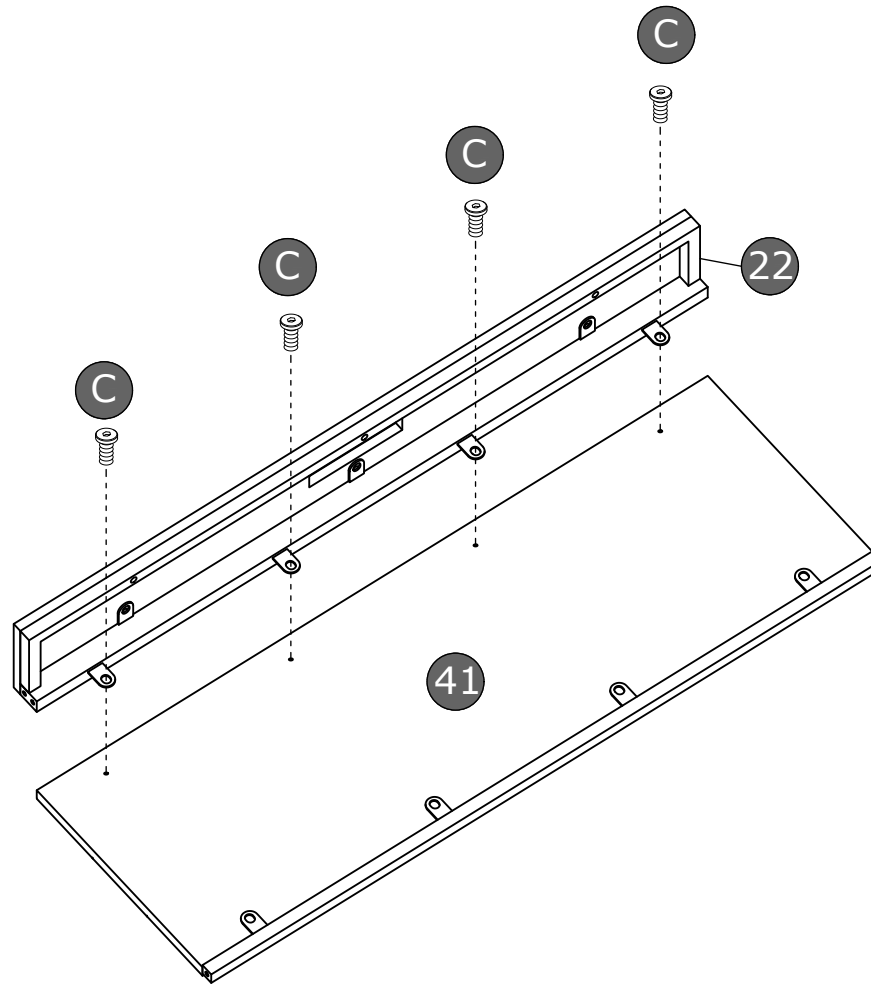


P x1pc

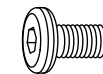


step 31

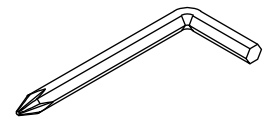
Connect parts 22 and 41 using screw C



31



C x4pcs

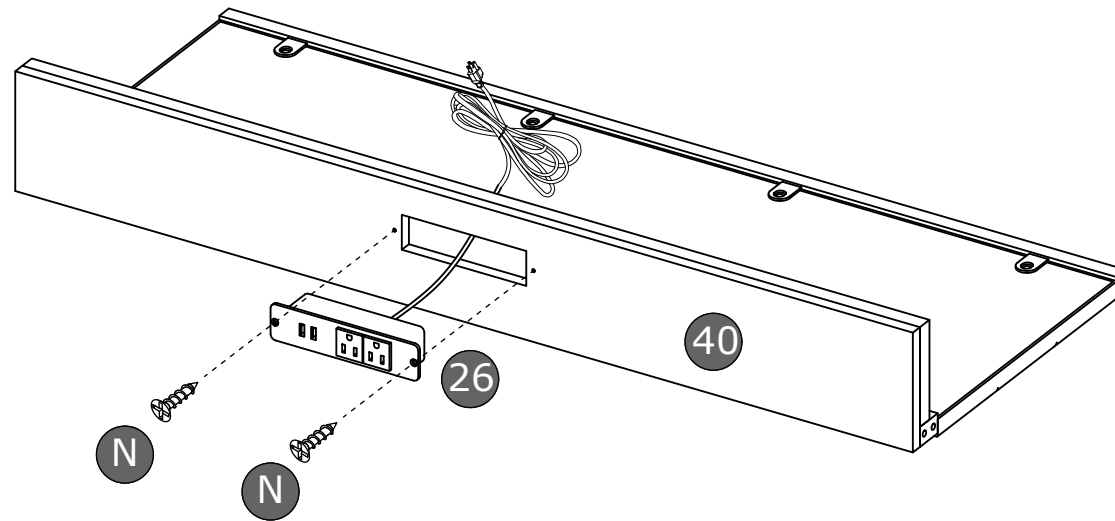


P x1pc

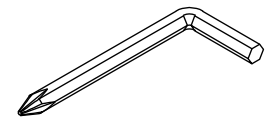


step 32

Connect parts 26 and 40 using screw N



N x2pcs

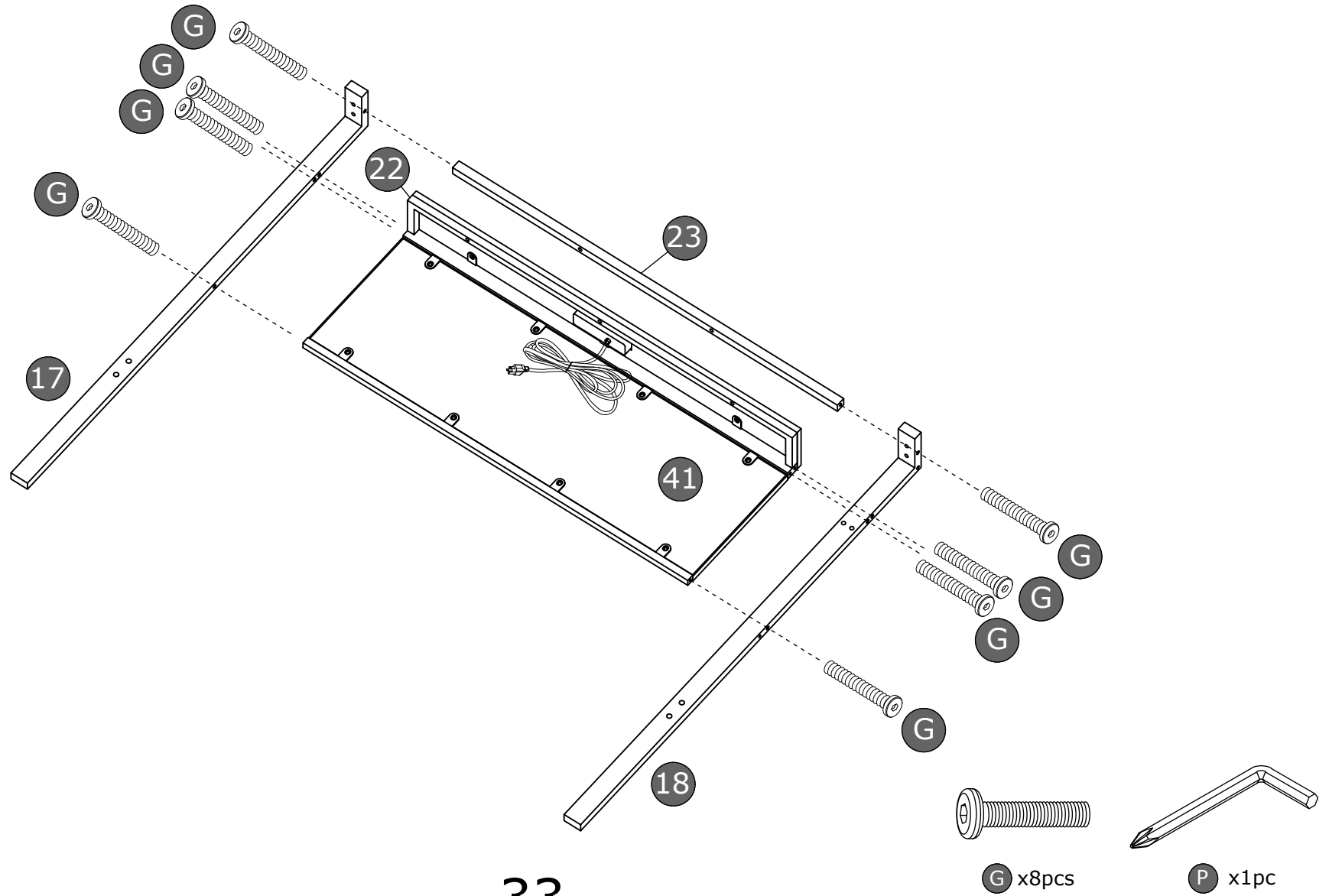


P x1pc



step 33

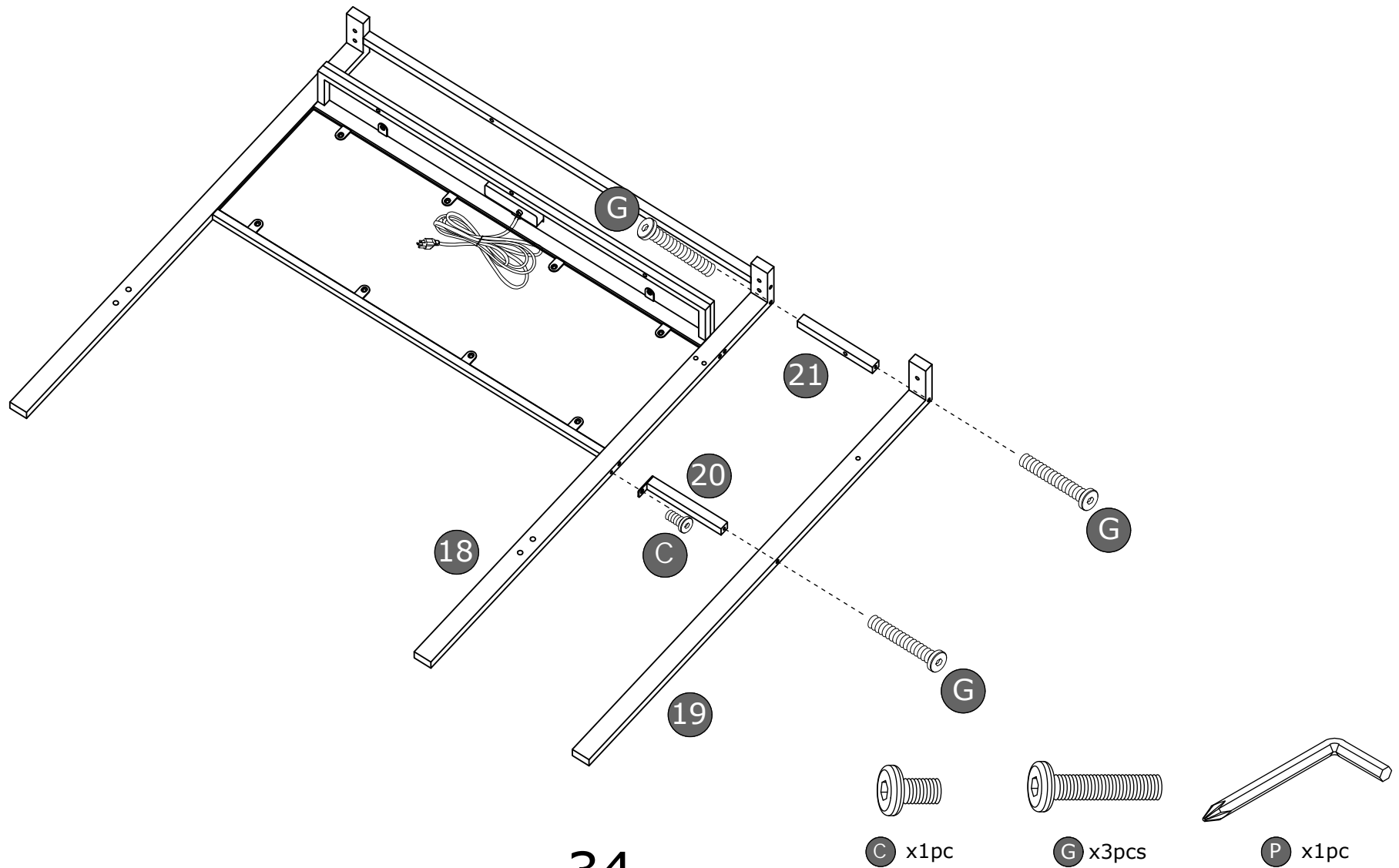
Connect parts 17/18 and 23/installed frame using screw G



33

 **step 34**

Connect parts 18/19/20/21 using screws C and G (screw G fixes the iron pipe, screw B fixes the iron plate)

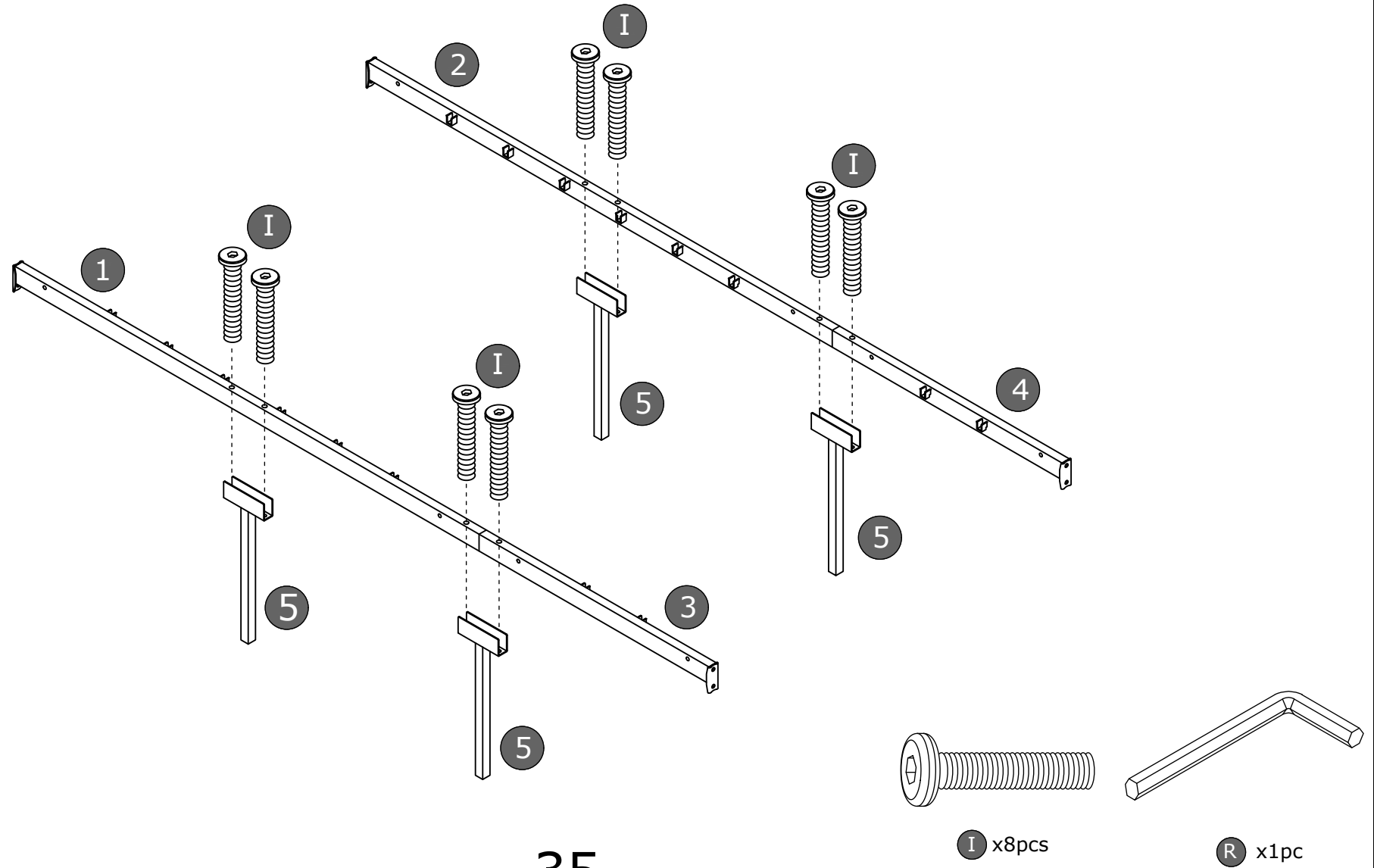


34



step 35

Connect part 5 and parts 1/2/3/4 using screw I



35

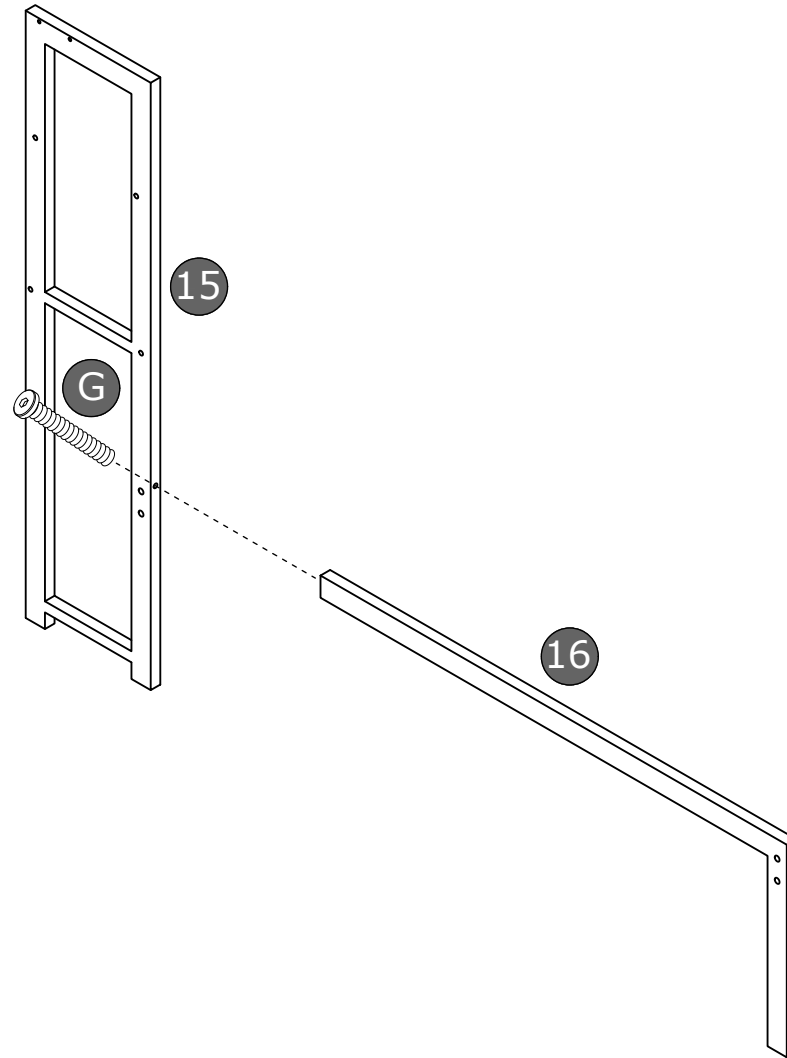
I x8pcs

R x1pc

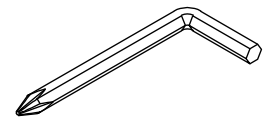


step 36

Connect parts 15 and 16 using screw G



G x1pc

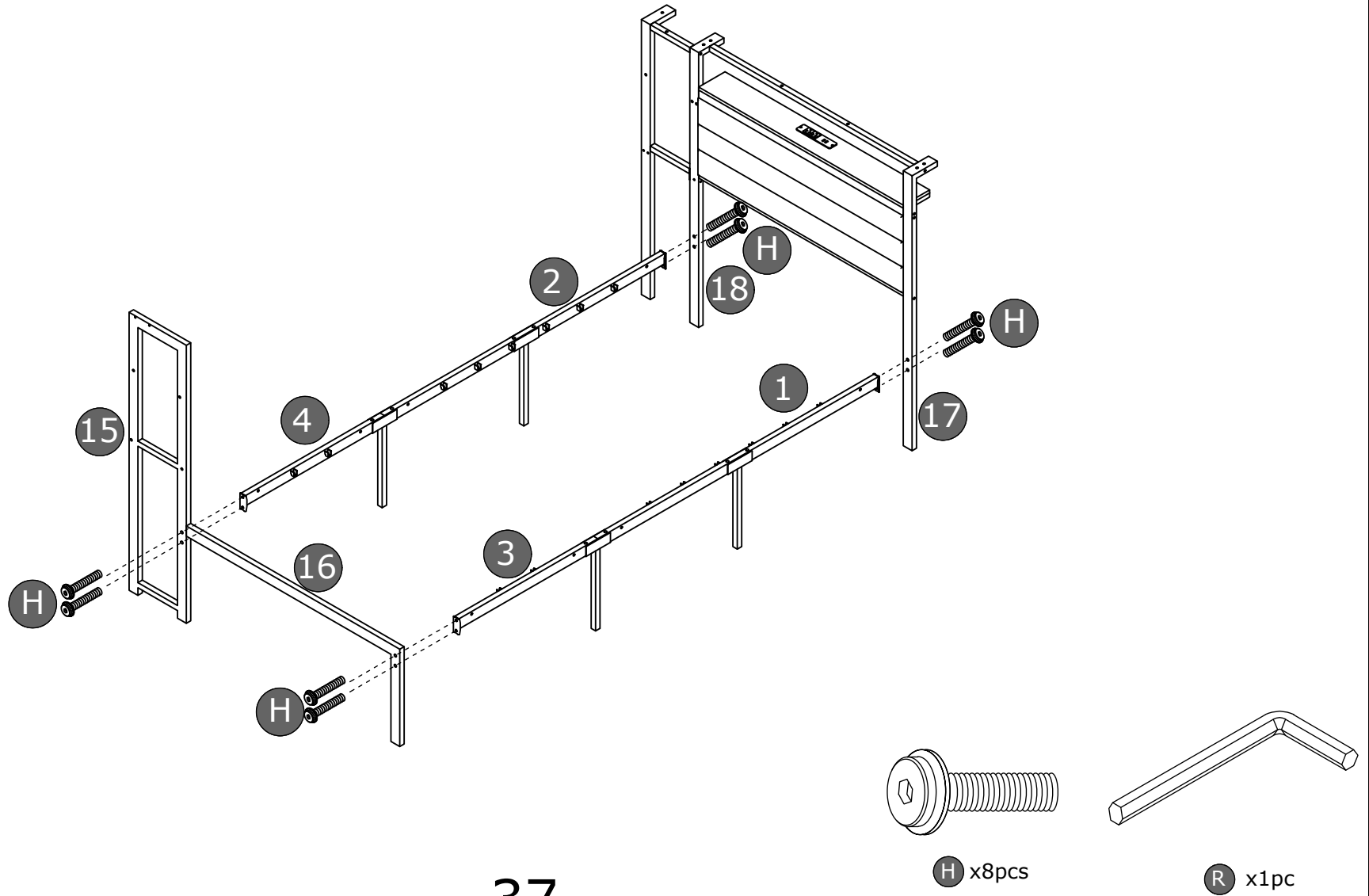


P x1pc

36

 **step 37**

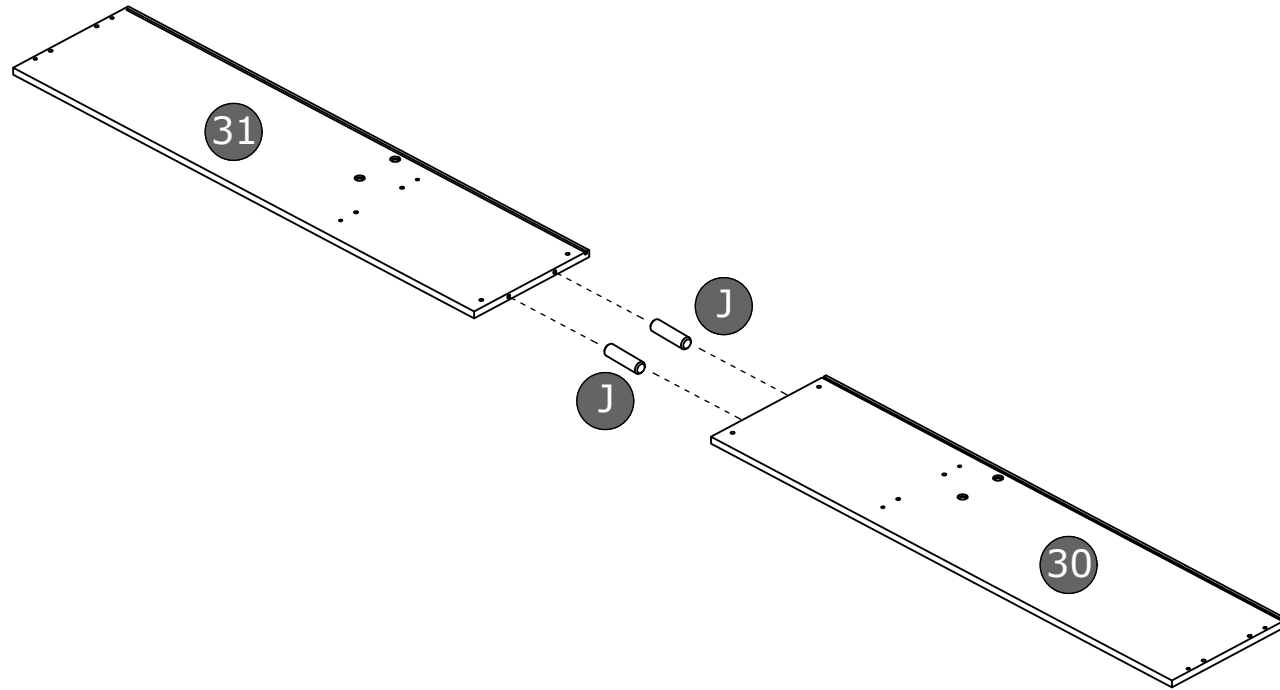
Connect parts 1/2 to the headboard frame and parts 3/4 to the footboard frame using screw H



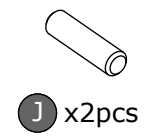


step 38

Connect parts 30 and 31 using J



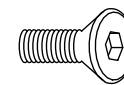
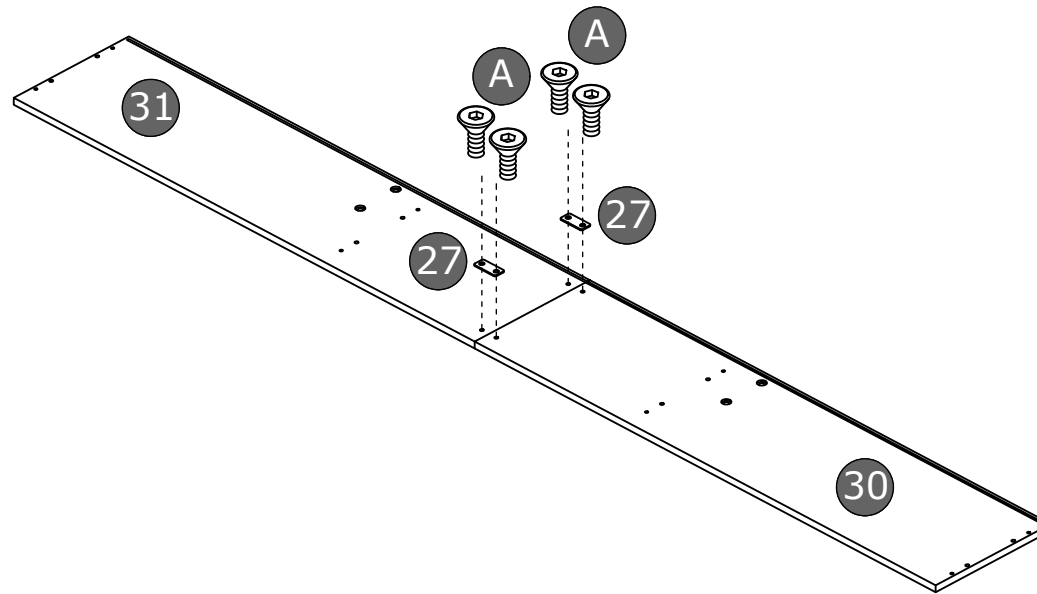
38



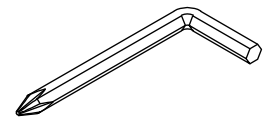


step 39

Connect part 27 and parts 30/31 using screw A



A x4pcs



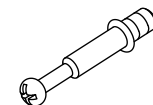
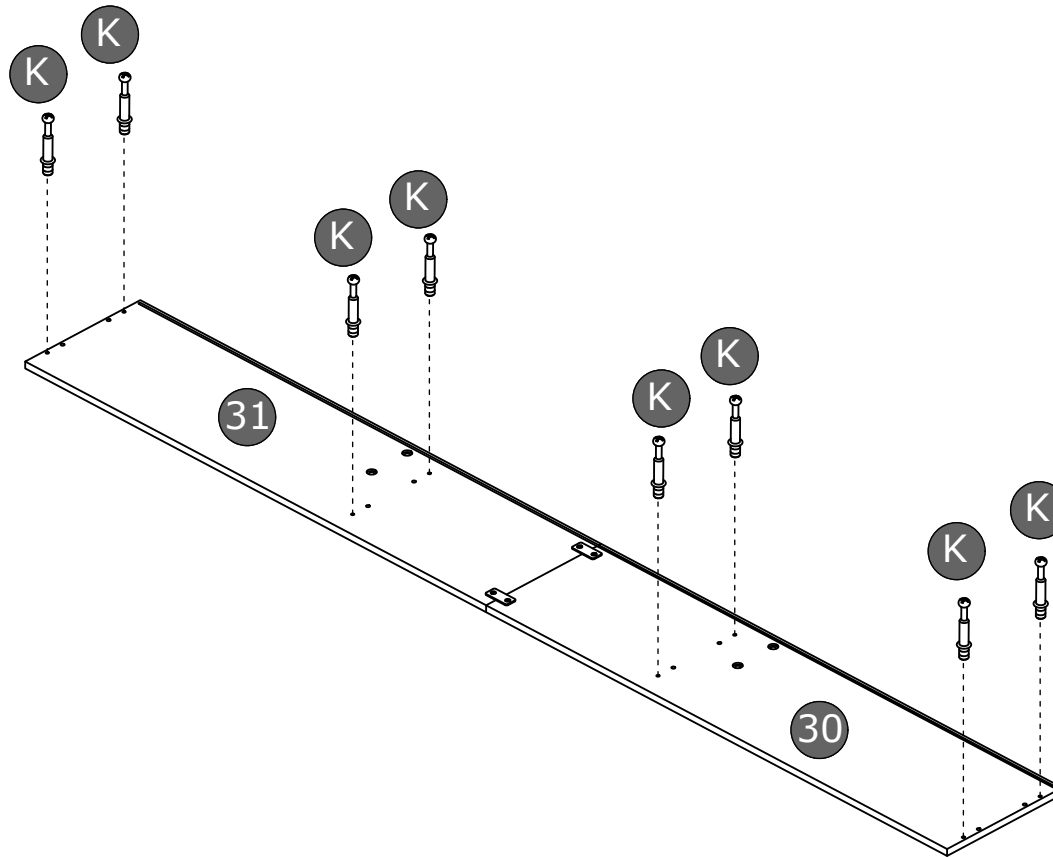
P x1pc

39

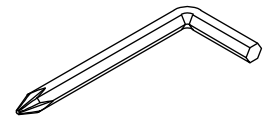


step 40

Insert K into the holes of parts 30/31



K x8pcs

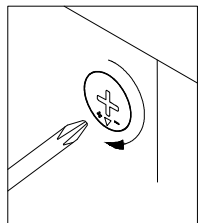
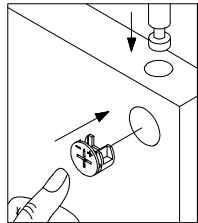
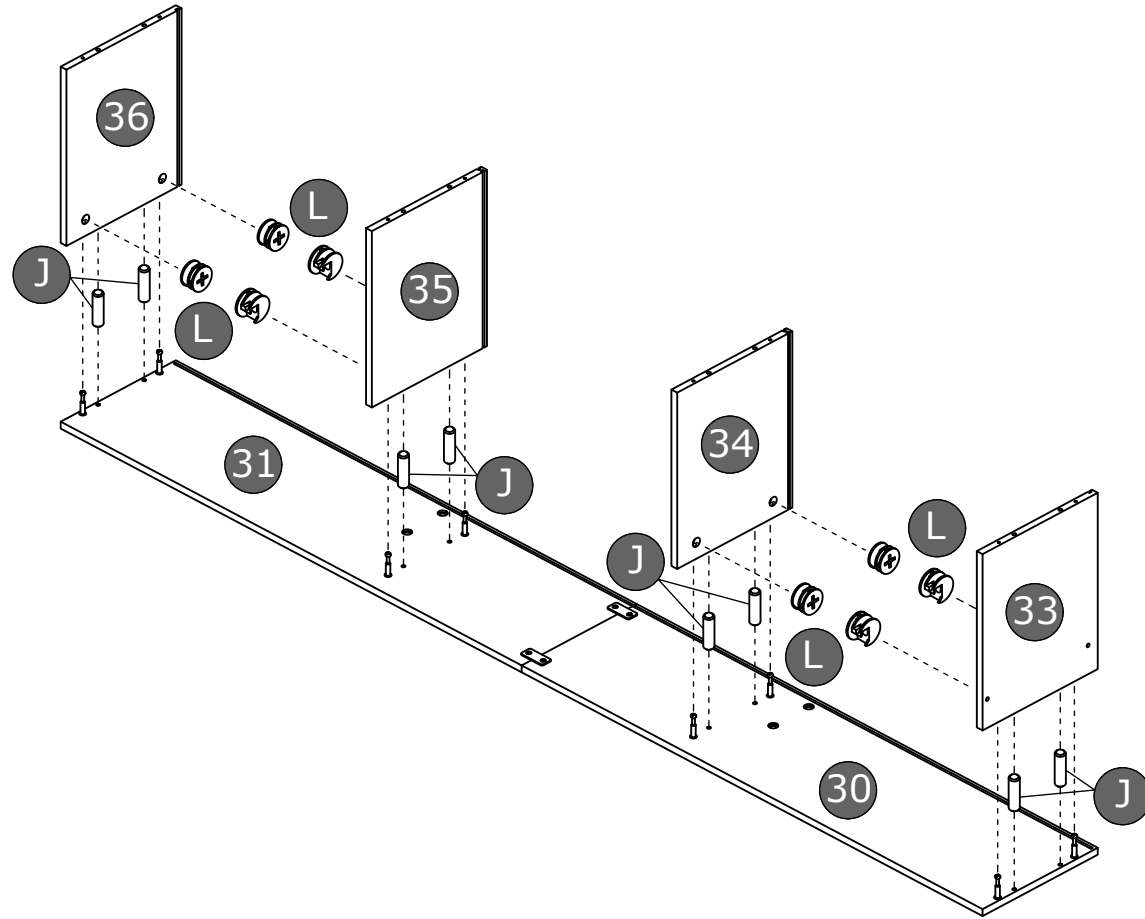


P x1pc

40

 **step 41**

Connect parts 33/34 to part 30 and parts 35/36 to part 31 using K/J
Then insert knob L and tighten.

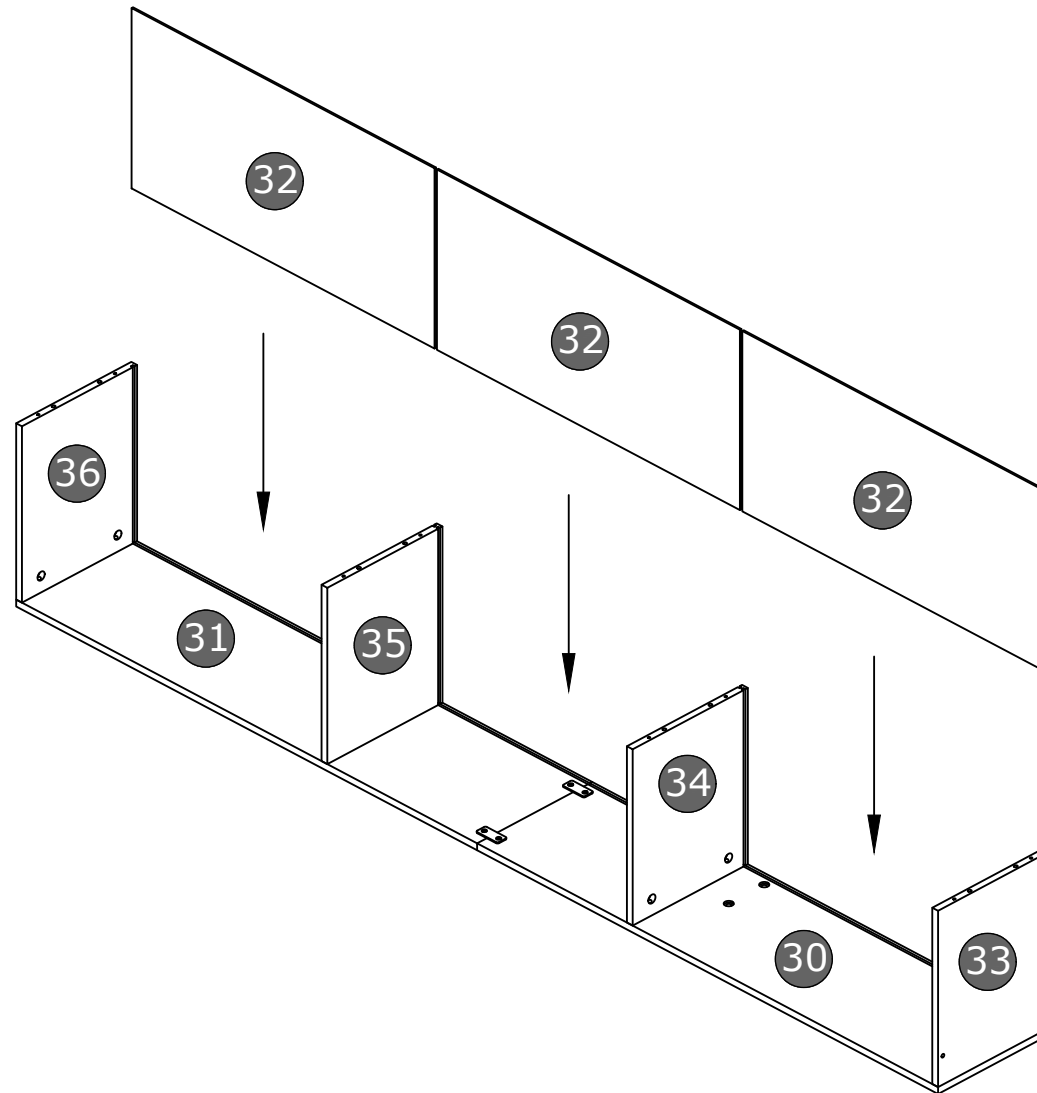


-  J x8pcs
-  L x8pcs
-  P x1pc



step 42

Insert three pieces of 32 into the grooves

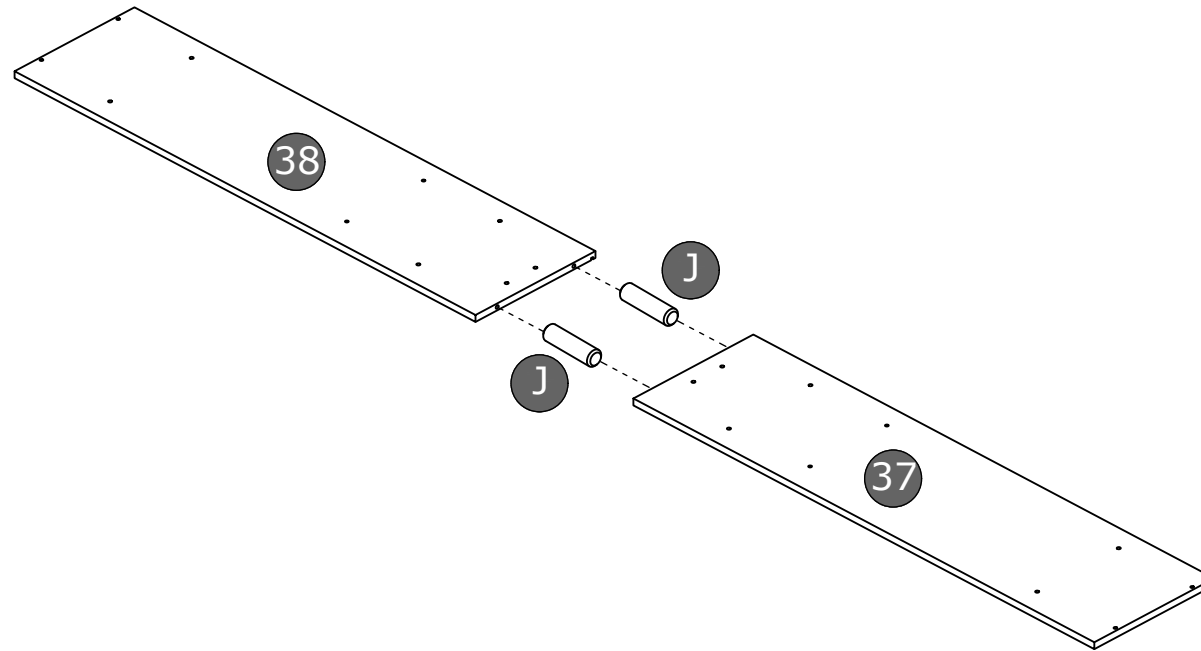


42

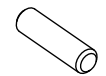


step 43

Insert three pieces of 32 into the grooves



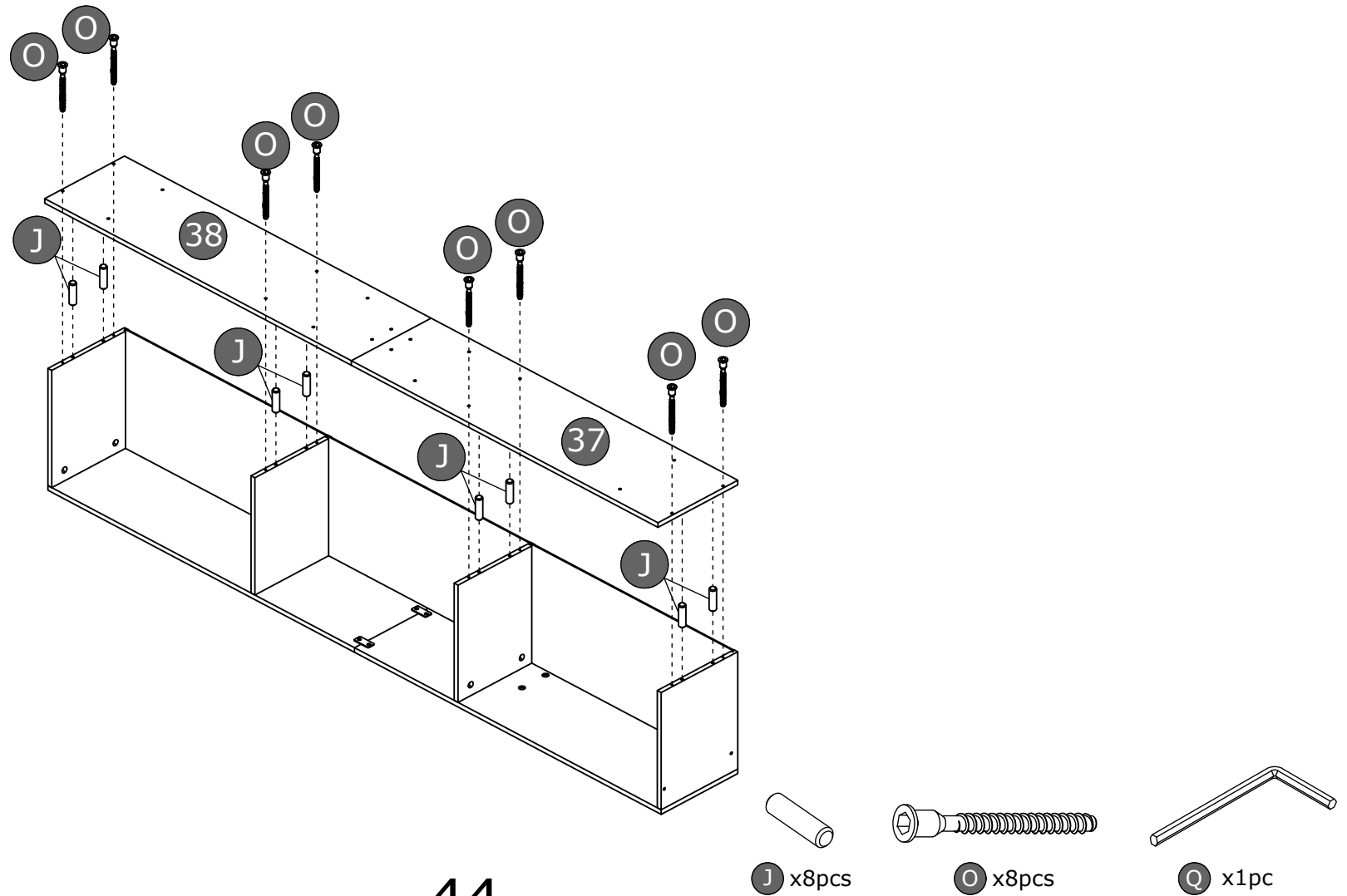
43



J x2pcs

 **step 44**

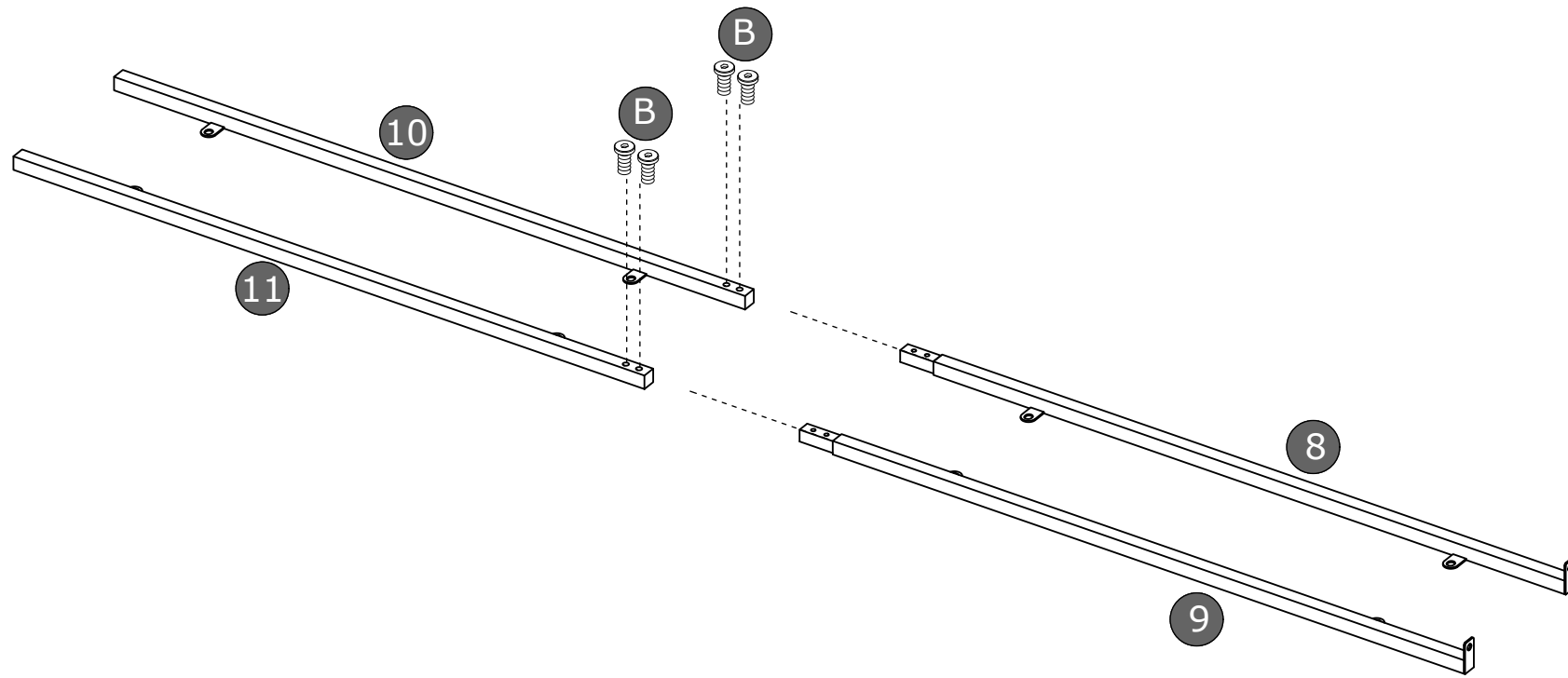
Connect parts 37/38 to the installed frame using J and screw O



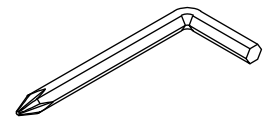


step 45

Connect part 8 and part 10, and part 9 and part 11 using screw B



B x4pcs



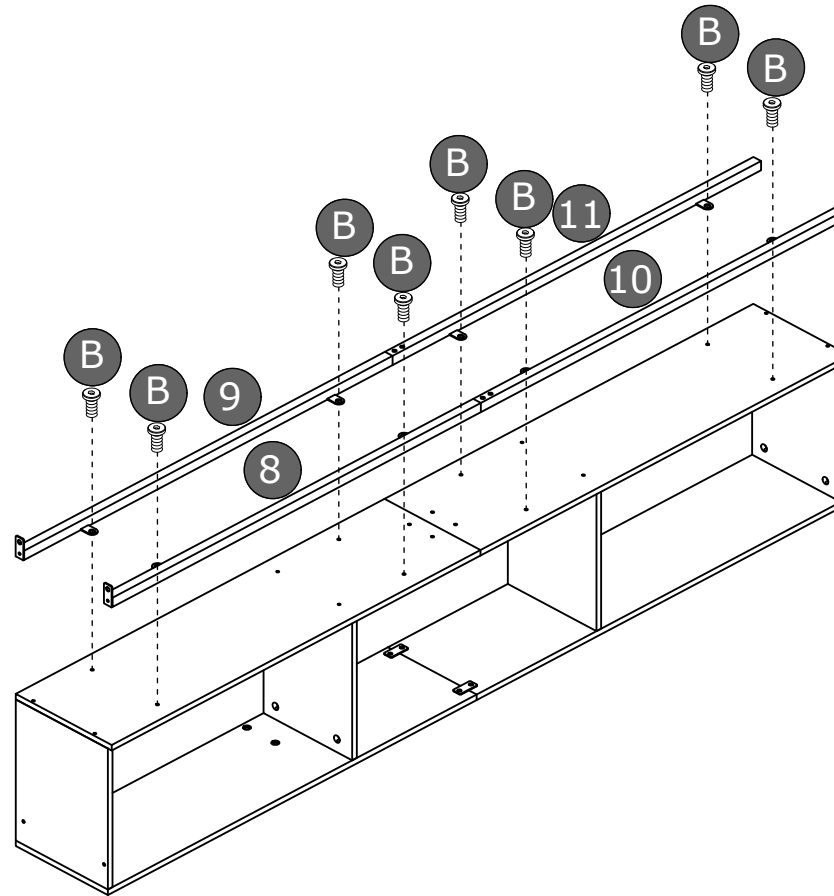
P x1pc

45

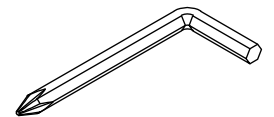


step 46

Connect parts 8/9/10/11 to the installed shelf using screw B



B x8pcs

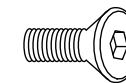
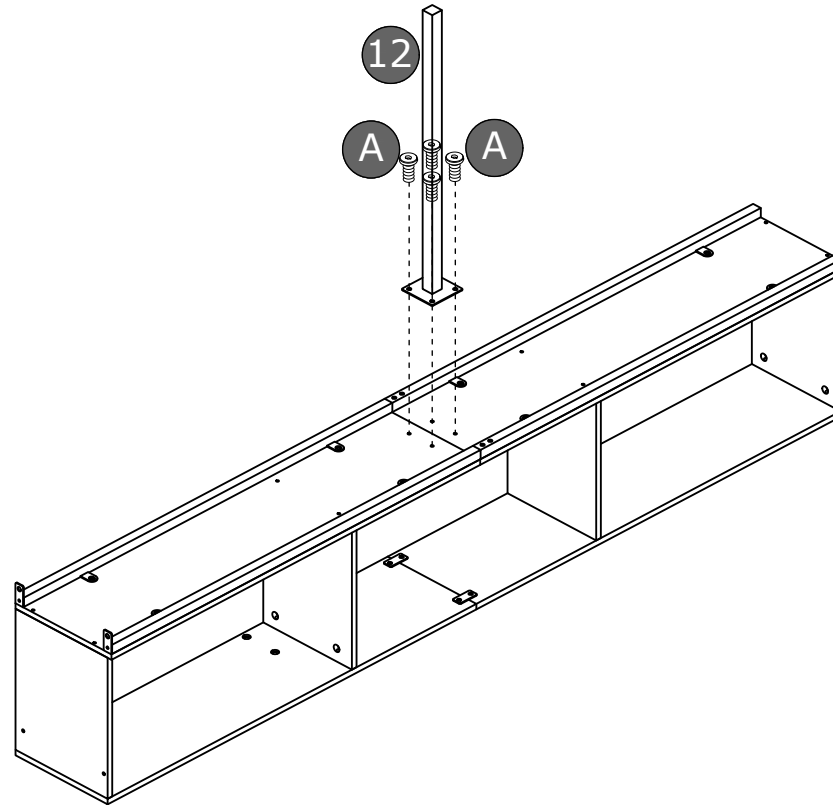


P x1pc

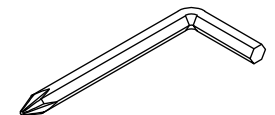


step 47

Connect part 12 to the installed frame using screw A



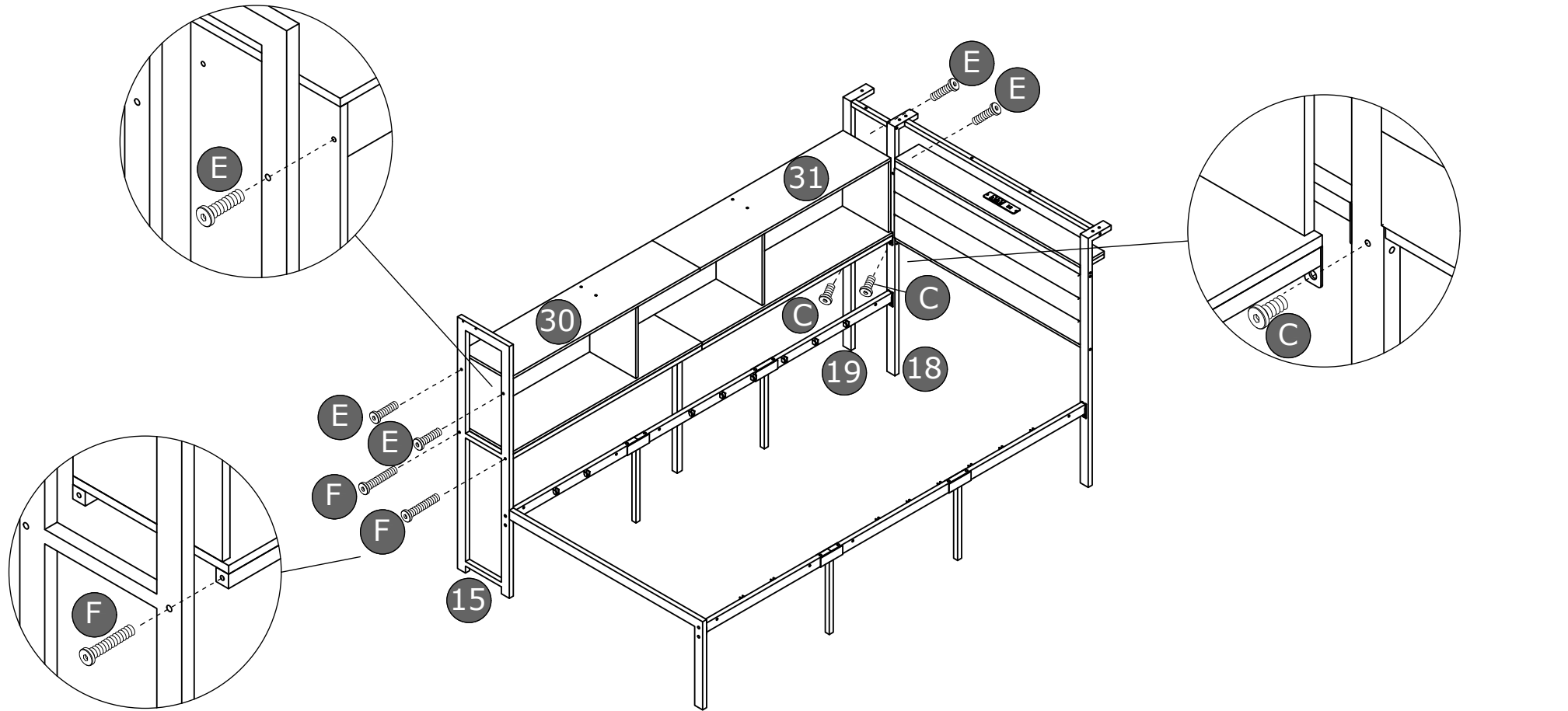
A x4pcs

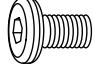
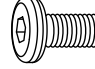
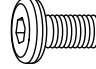
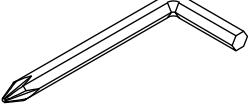


P x1pc

 **step 48**

Connect the installed shelf and the installed bed frame using screws C/E/F
(E/F fix the iron pipe, C fixes the iron plate)

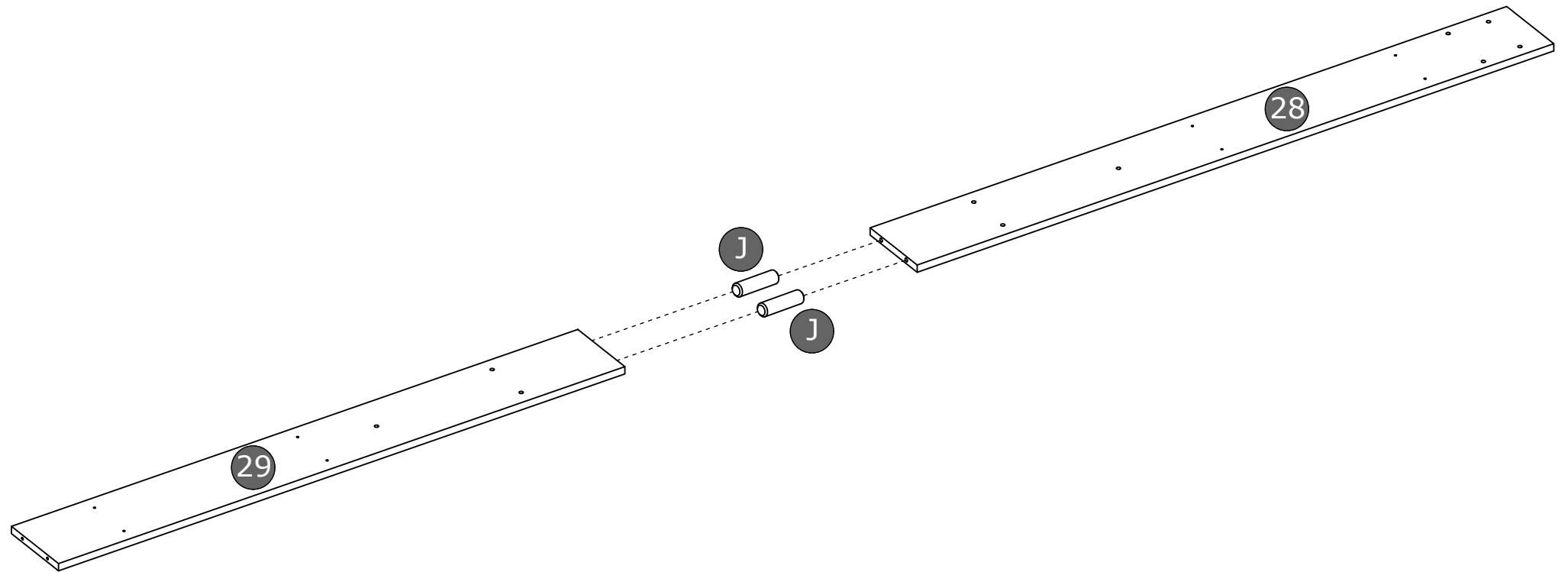


-  **C** x2pcs
-  **E** x4pcs
-  **F** x2pcs
-  **P** x1pc

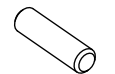


step 49

Connect parts 28 and 29 using J



49

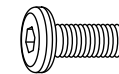
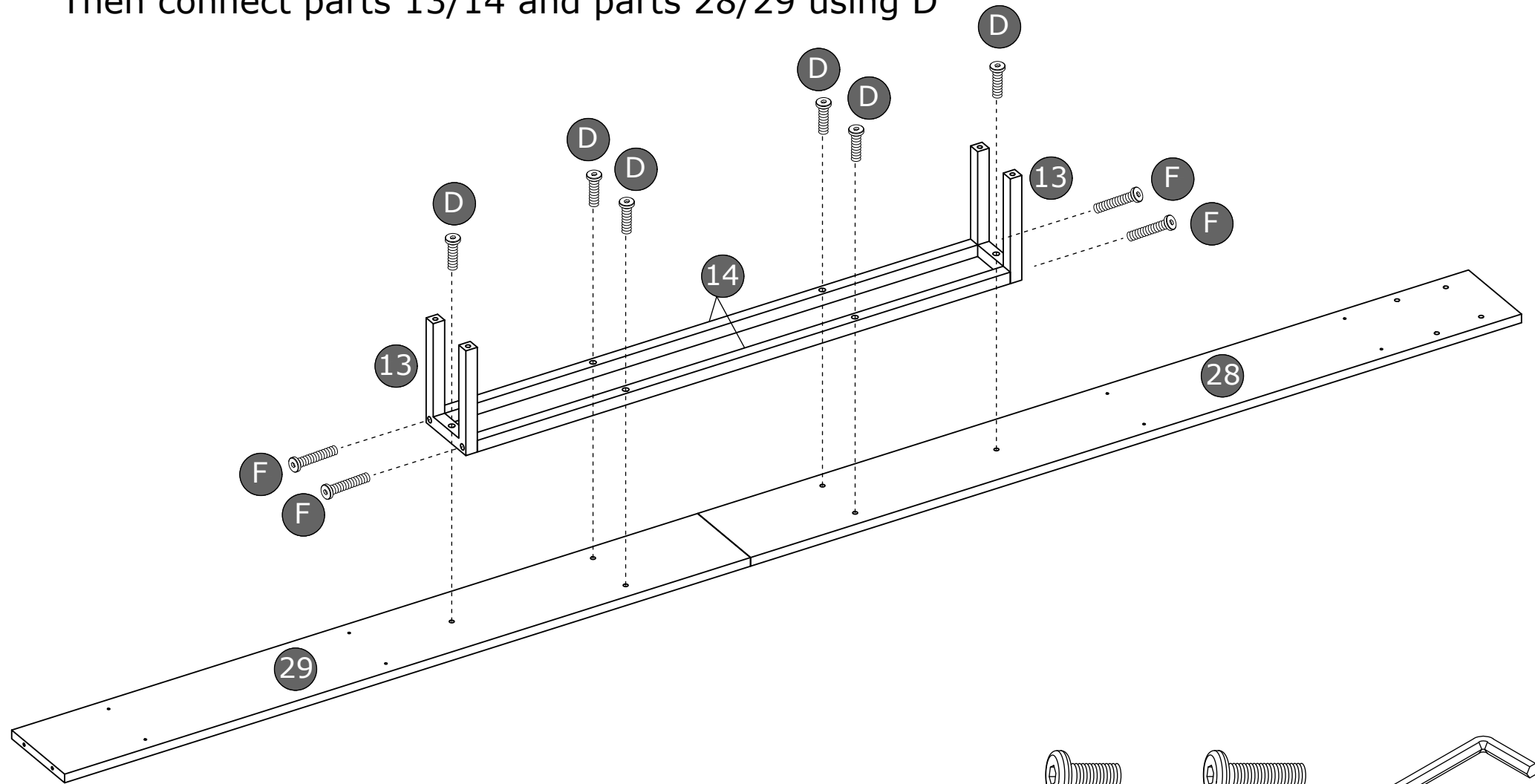


J x2pcs

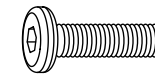
 **step 50**

Connect parts 13 and 14 using screw F

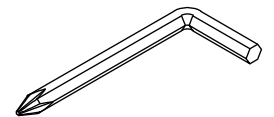
Then connect parts 13/14 and parts 28/29 using D



D x6pcs



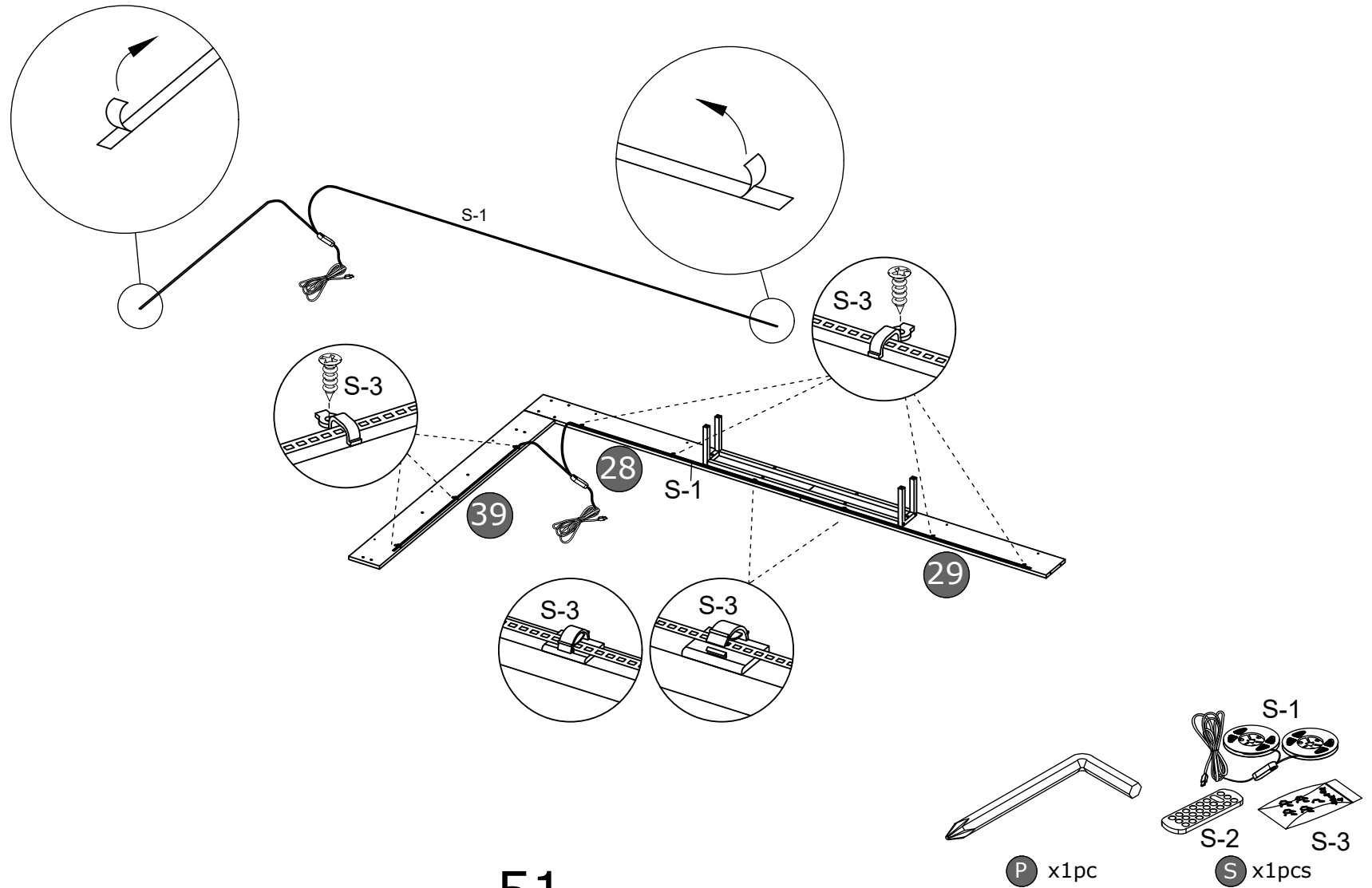
F x4pcs



P x1pc

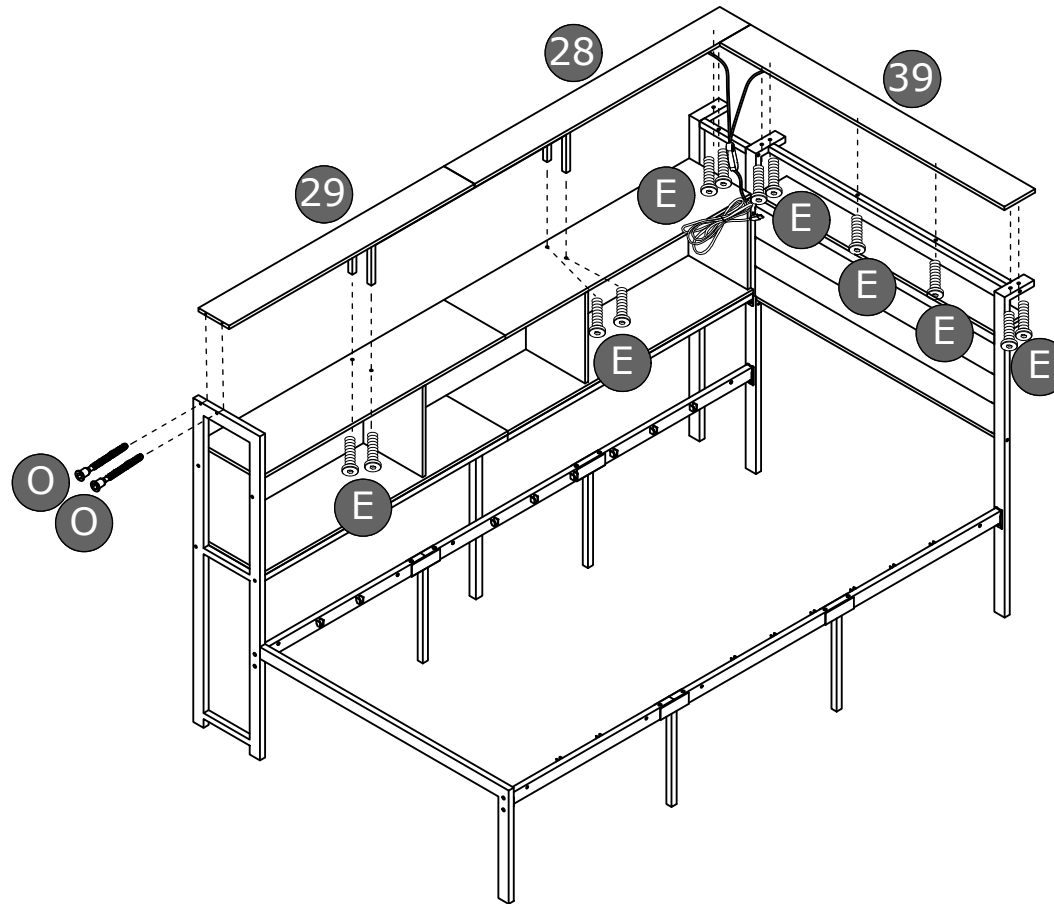
 **step 51**

Peel off the backing paper of S1 and stick it on the back of parts 28/29/39 Then secure using S-3

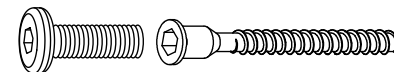


 **step 52**

Connect parts 28/29/39 to the installed bed frame using screws E/O



52



E x12pcs

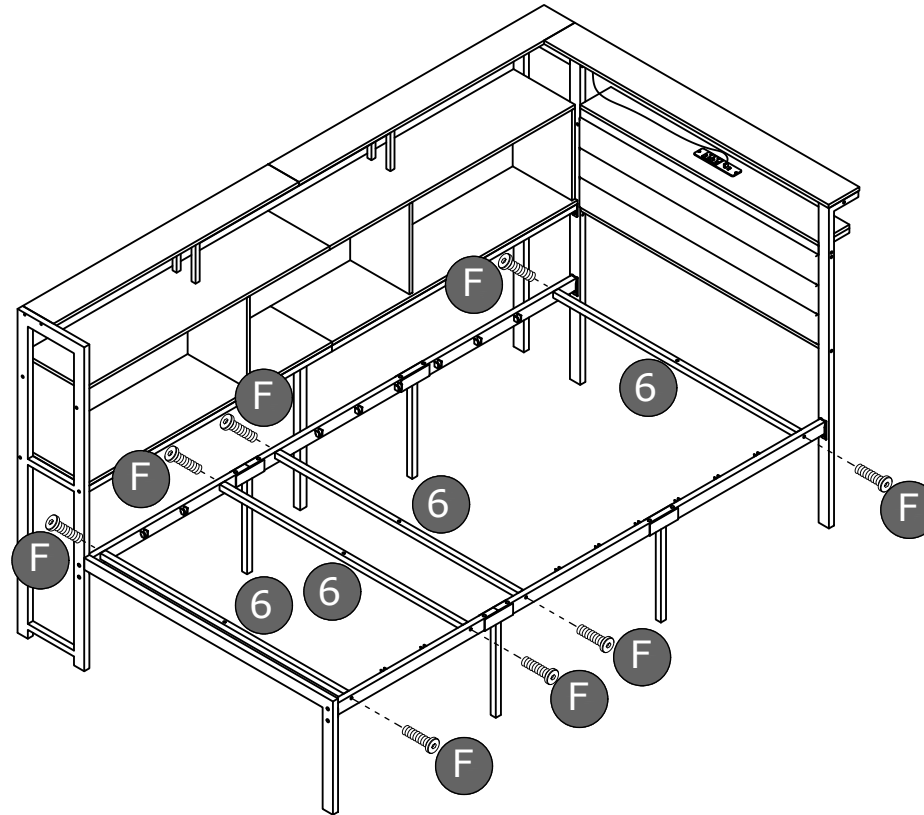
O x2pcs

P x1pc

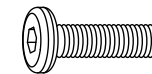
Q x1pc

 **step 53**

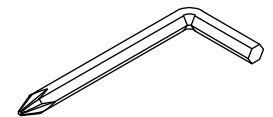
Connect part 6 to the installed bed frame using screw F



Screw F is locked at 70% first! After all the components are assembled, it is locked tightly at 100%.



F x8pcs

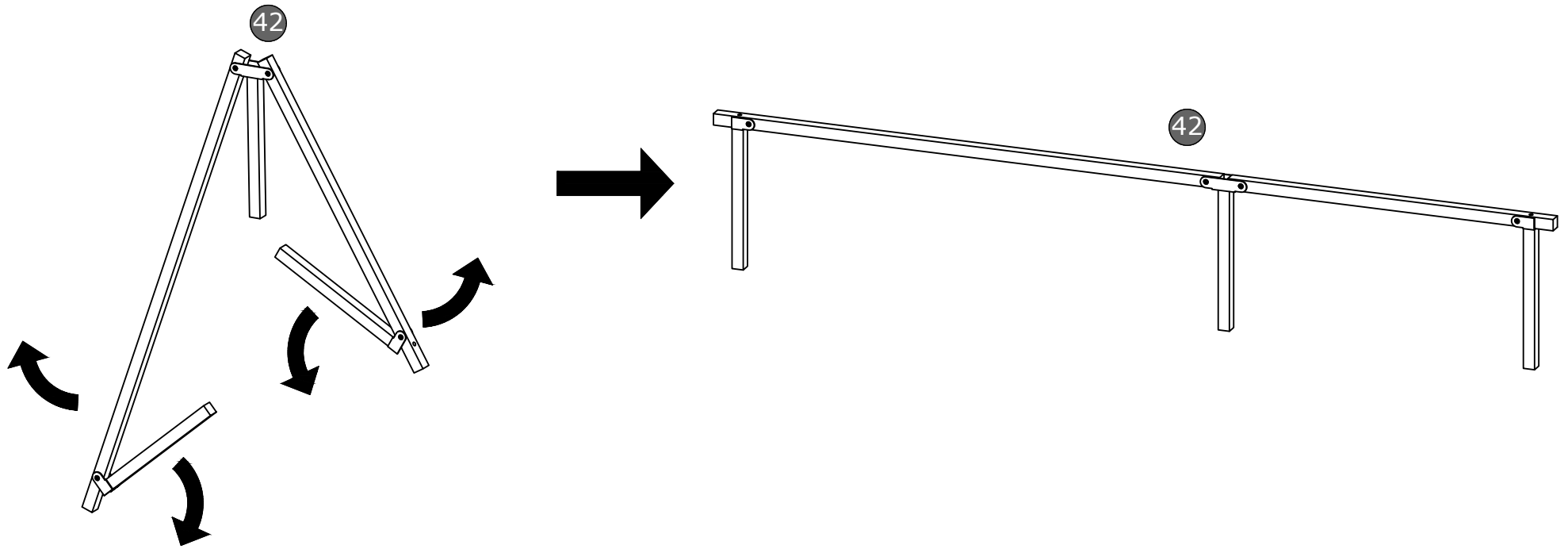


P x1pc



step 54

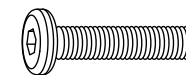
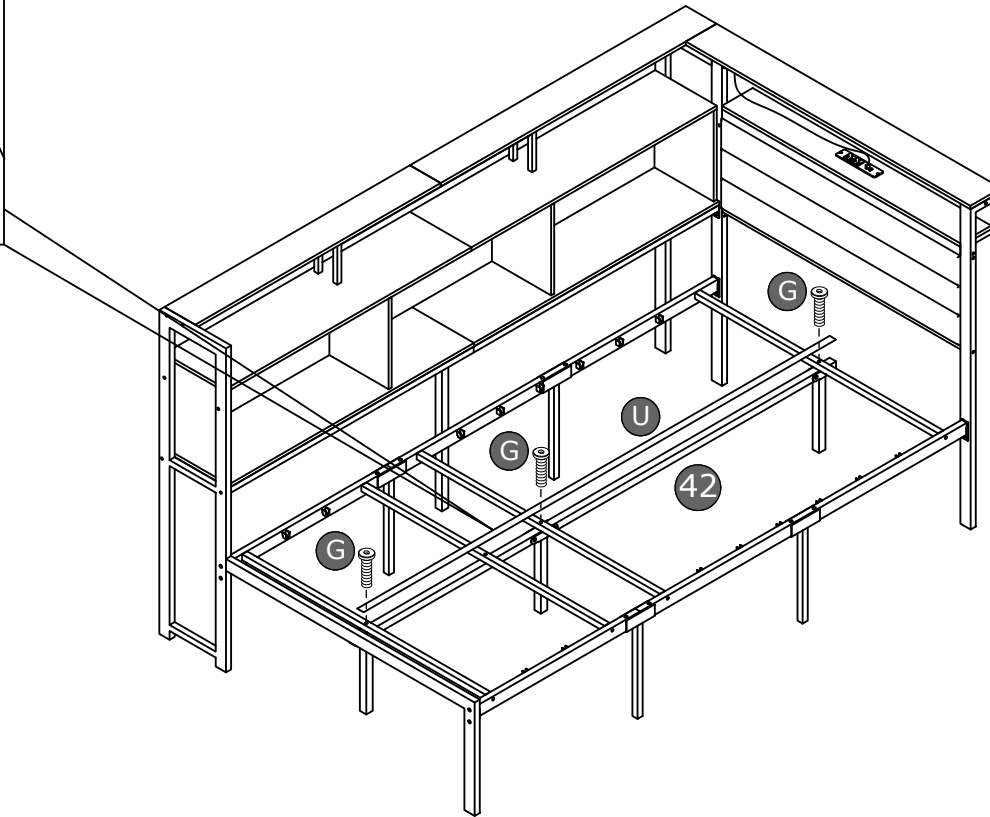
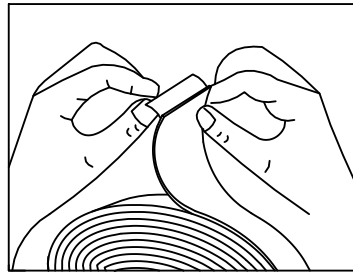
Unfold the frame 42



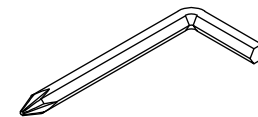
 **step 55**

Fix the metal tube 6 on the frame 42 with screws G

To prevent friction noise, unroll part U and fit it on part 42 , The length of part U can cut as you will.



G x3pcs



P x1pc

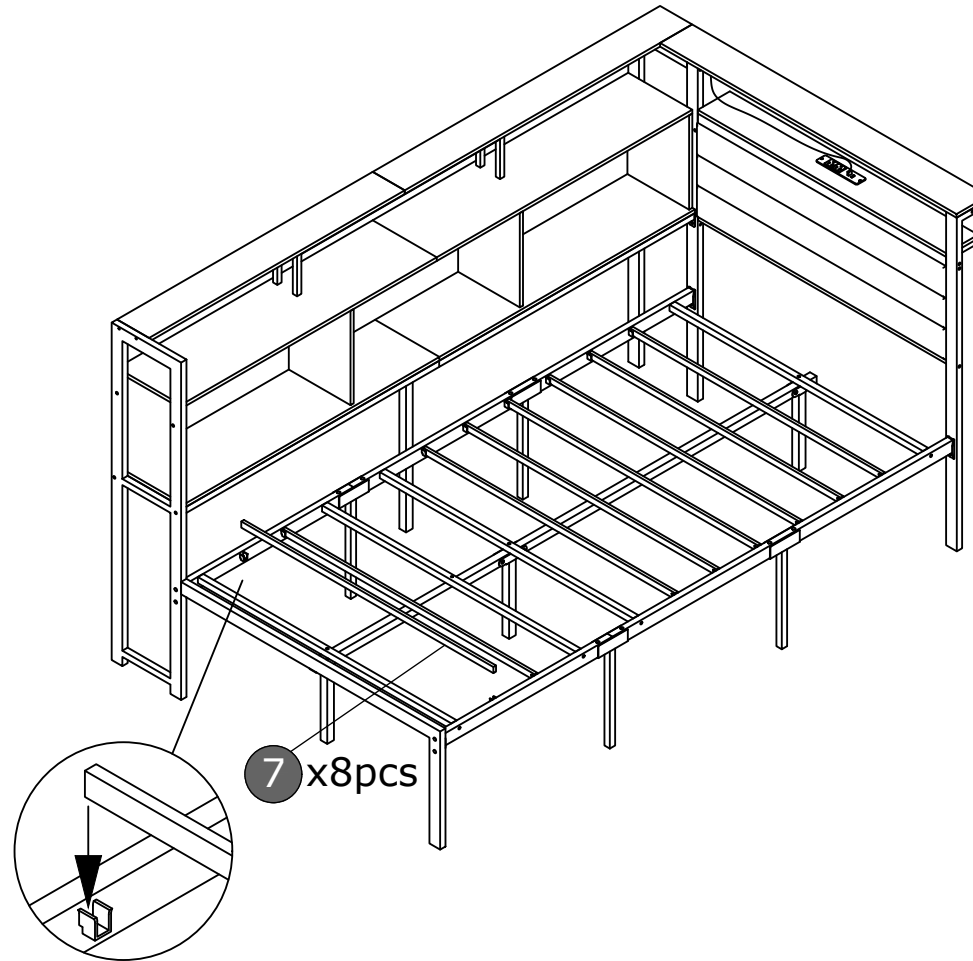


U x1pc



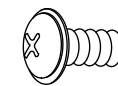
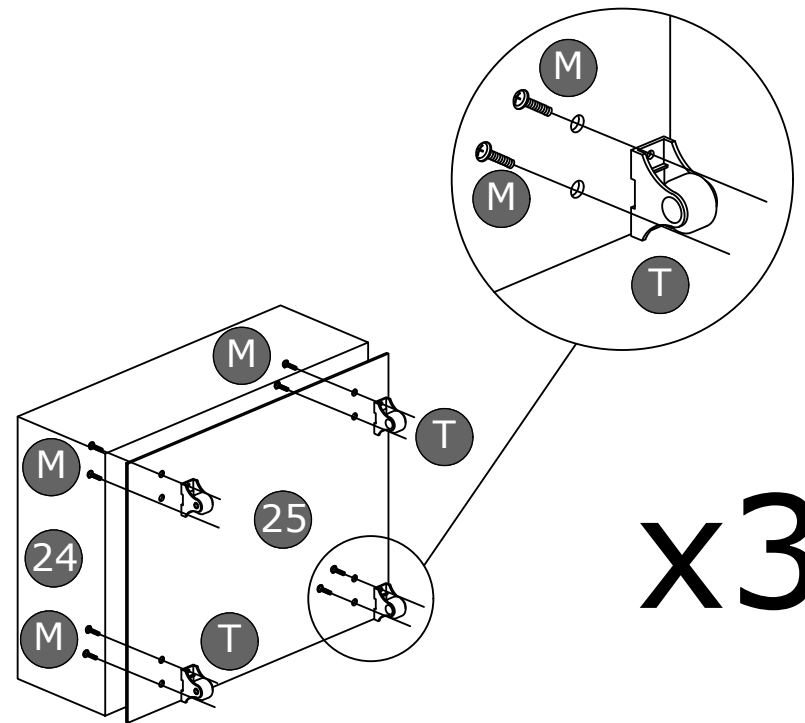
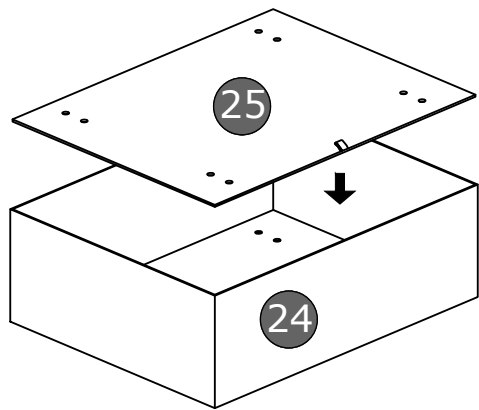
step 56

Insert part 7 into the grooves of the bed frame

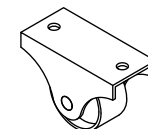


 **step 57**

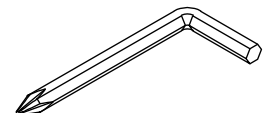
Unfold part 24, place part 25 inside, and then connect part 25 and T using screw M



M x24pcs



T x12pcs

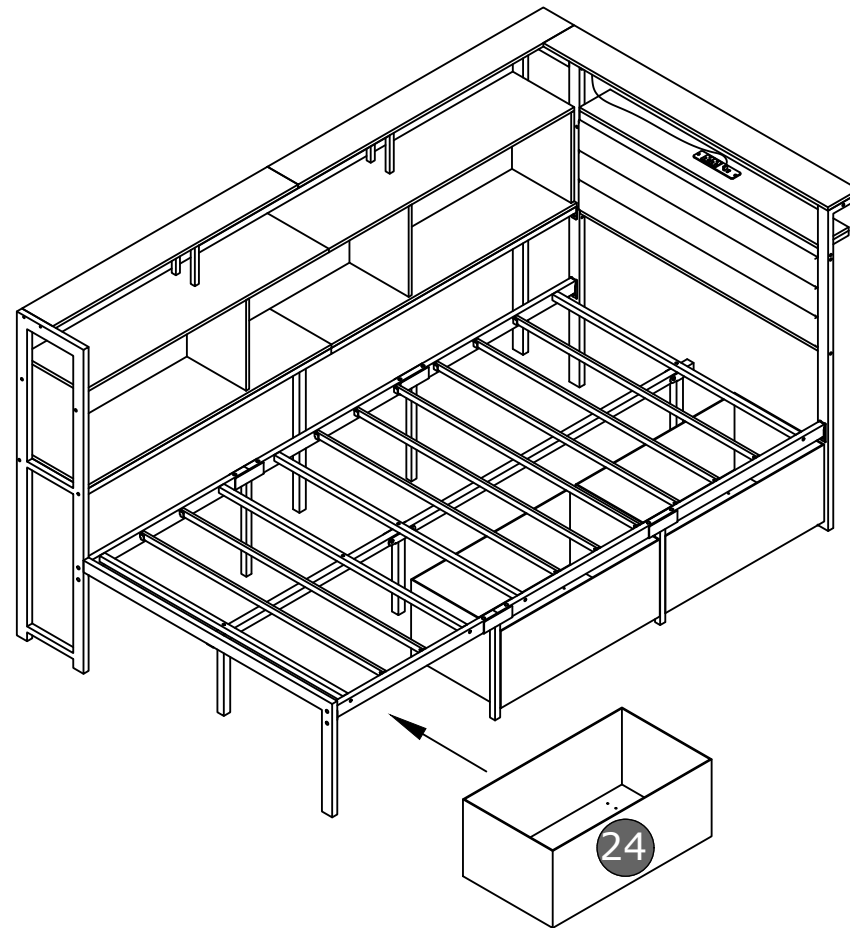


P x1pc



step 58

Push the drawer under the bed frame



58

Problems You May Encounter

PROBLEMS	SOLUTIONS
Non-human caused damage during usage.	Please Keep the product and send us photos of it. We will ascertain the cause of the product damage within 48 hours and provide a satisfactory solution.
Mismatch of screw hole positions between components.	1. Please tighten the screws on the board by 70%, do not tighten completely. 2. Adjust the direction of the component to check that the wrong hole position has not been selected.
Product is unstable after being assembled.	1. Check if the screws are tightened. 2. Read through out the manual, check are there any parts installed incorrectly or missing assembled.
Any missing or damaged components.	To solve the problem. We are committed to providing you with Free component shipping and replacement
More problems or the above problems could not be solved.	Contact us, We will support you! homesup2025@outlook.com