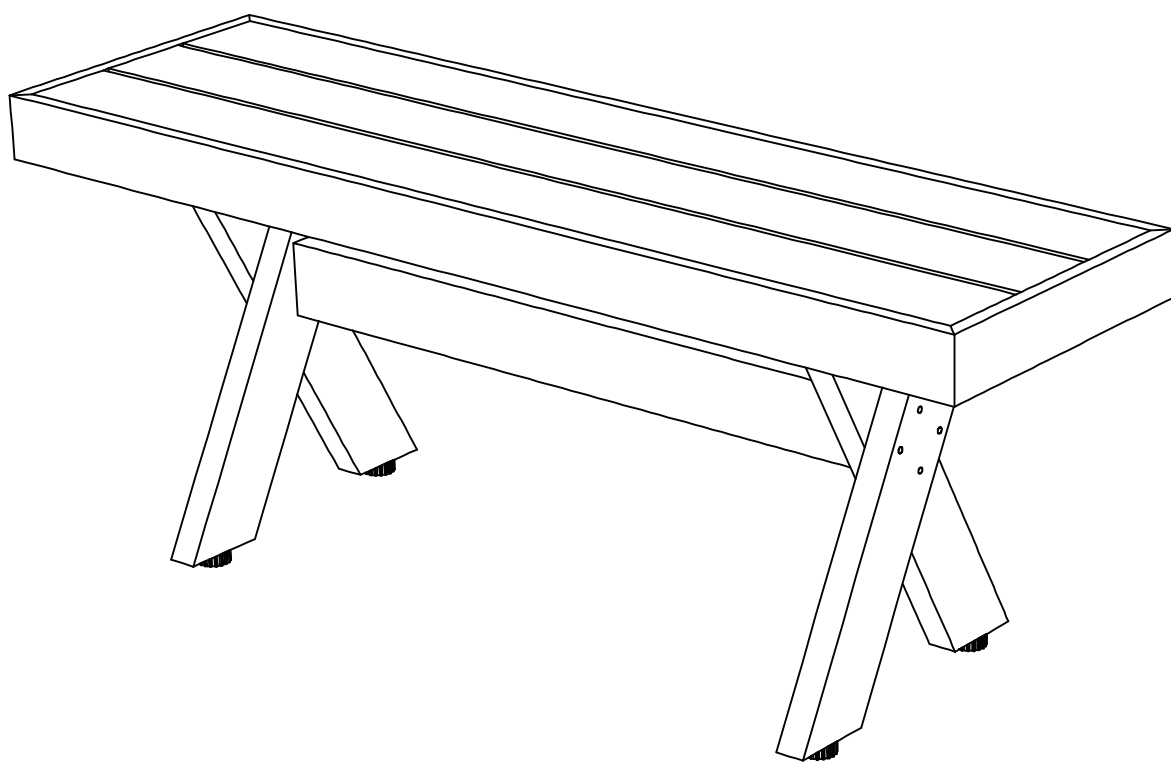


# 44.5" X-frame Bench

Assembly Instruction



# INTRODUCTION

Thank you for purchasing our products. Please read the instructions carefully before installation and keep it in a safe place for future reference. If you need any assistance or support, please feel free to contact our customer support team.

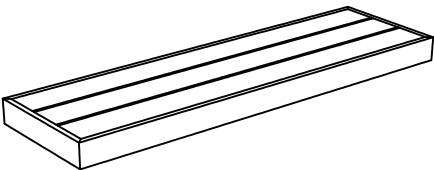
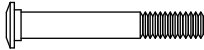

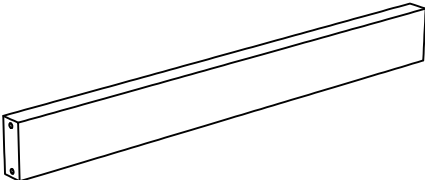

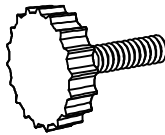
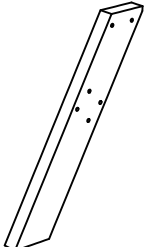
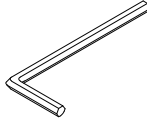
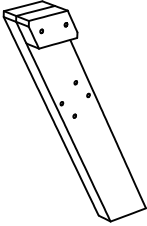
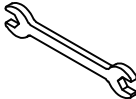
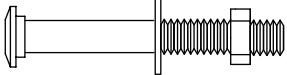
# PRECAUTIONS

1. There are many components and accessories in the package. Each component and accessory is labeled with a letter or a number, check carefully before using any of them. Keep them away from children to prevent accidents.
2. Please install the product on a clean and soft underlay (such as carpet or cardboard) to avoid scratching or damaging the surface of the product.
3. The main components of the product are relatively heavy. Please pay attention to safety during installation.
4. The product is not stable during installation. Please do not move it randomly before it is completely installed.
5. If you have any questions during installation, please contact the customer service in time.




**\*PLEASE BE SURE TO FOLLOW THE INSTALLATION STEPS TO AVOID UNNECESSARY LOSSES CAUSED BY IMPROPER INSTALLATION.**

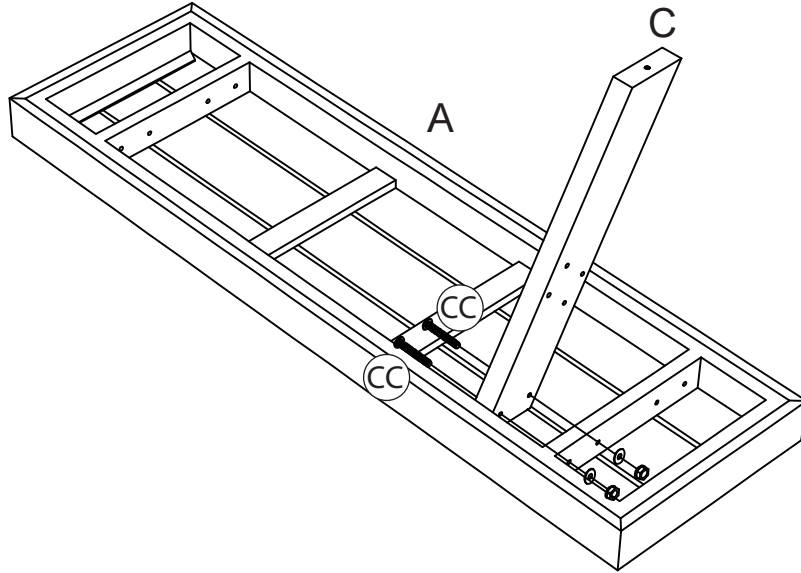
**\*IF YOU NEED FURTHER ASSISTANCE, PLEASE GET IN TOUCH WITH THE CUSTOMER SERVICE ONLINE.**

# Parts List

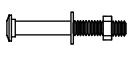



A		1PC	BB	 M6*80 Bolt	4PCS
			CC	 M6*60 Bolt	4PCS
B		1PC	DD	 M6*50 Bolt	4PCS
			EE	 4PCS	
C		2PCS	FF	 1PC	1PC
D		2PCS	GG	 1PC	1PC
AA	 M6*90 Bolt	4PCS			

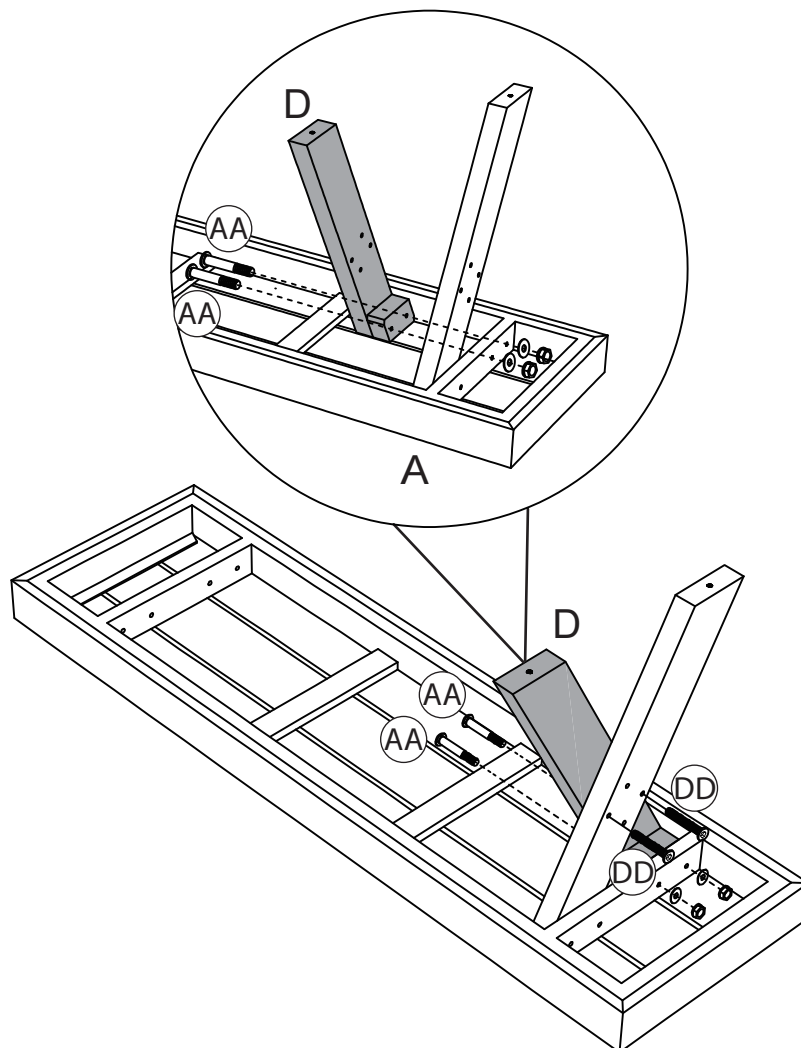
# STEP 1

CC		x2
FF		x1
GG		x1






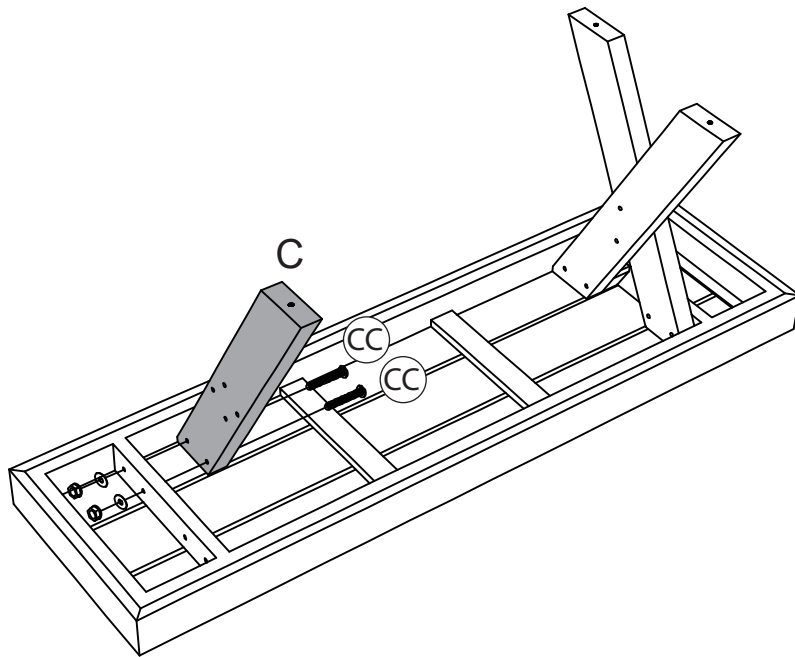
# STEP 2

AA		x2
DD		x2
FF		x1
GG		x1

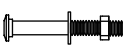





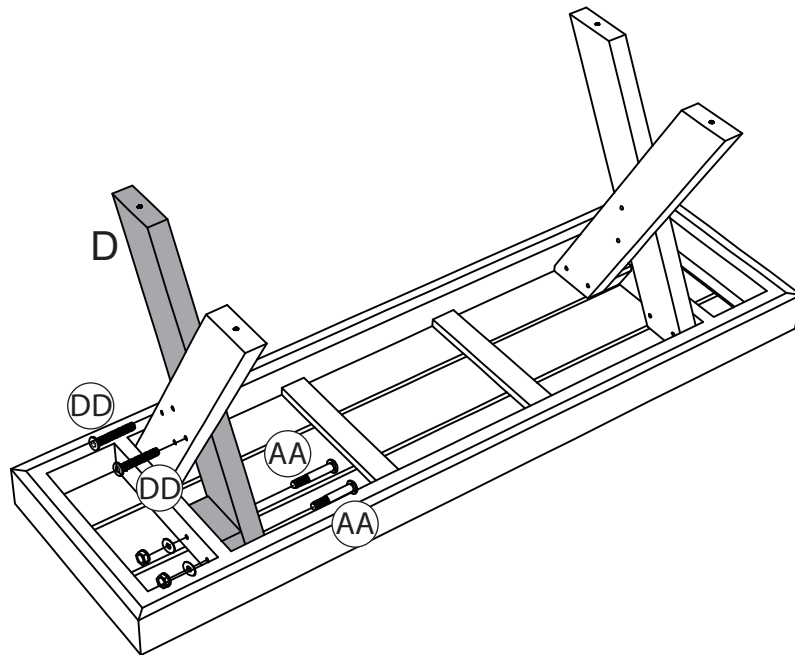
# STEP 3

CC		x2
FF		x1
GG		x1

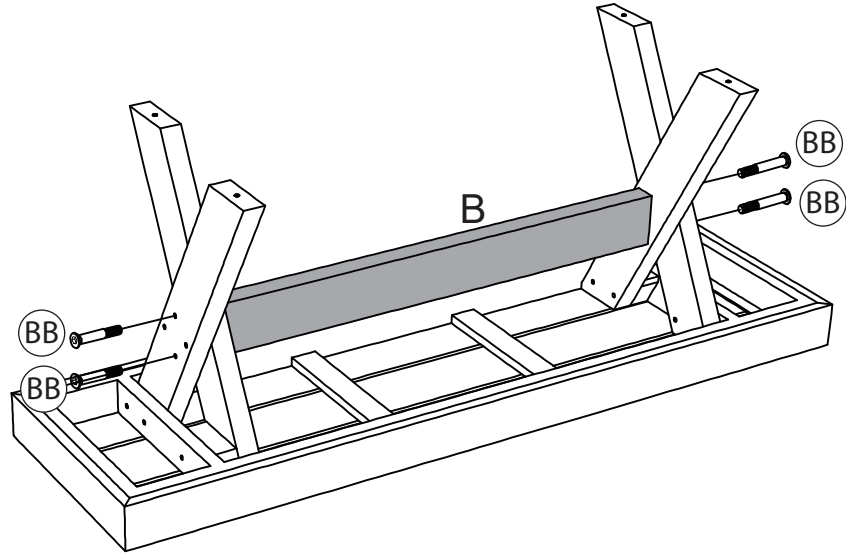
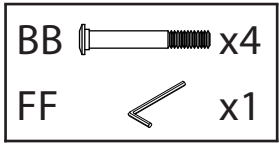


# STEP 4

AA		x2
DD		x2
FF		x1
GG		x1



# STEP 5



# STEP 6

