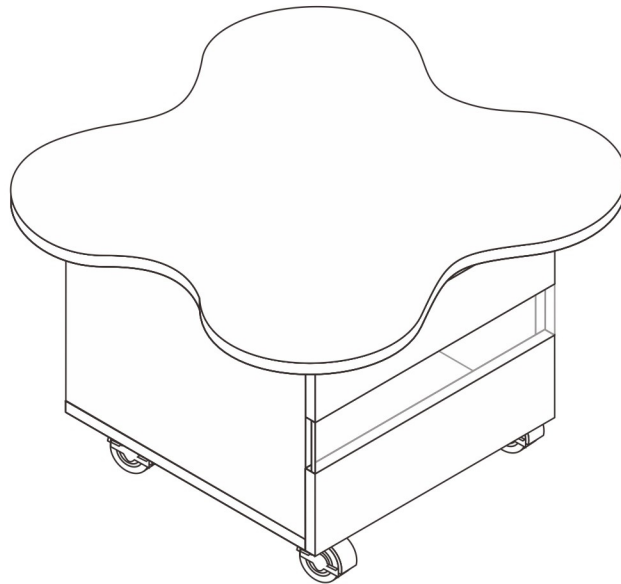


5001#

Shell tank



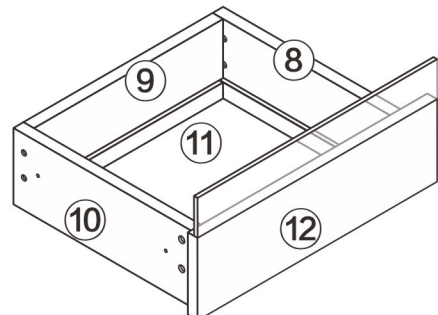
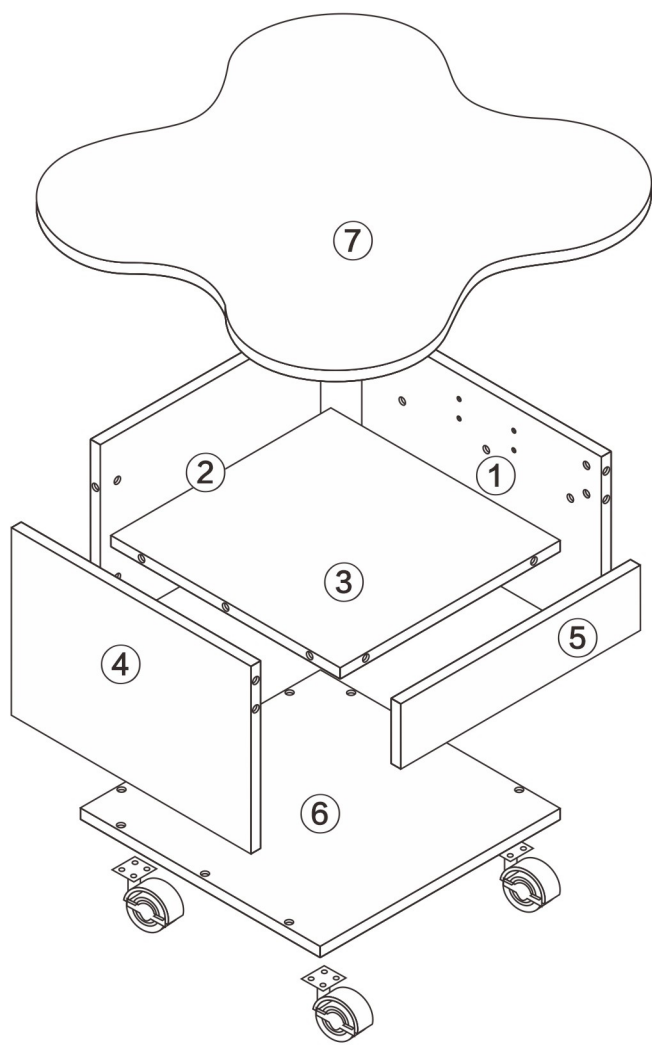
2 Persons

SCAN for Video Instructions
on how to Assemble this Desk

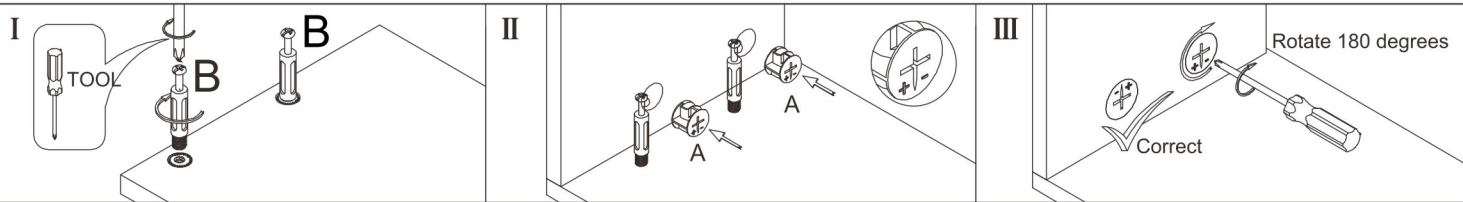
L800*W800*H420MM






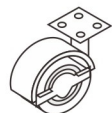

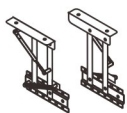

Installation Instructions

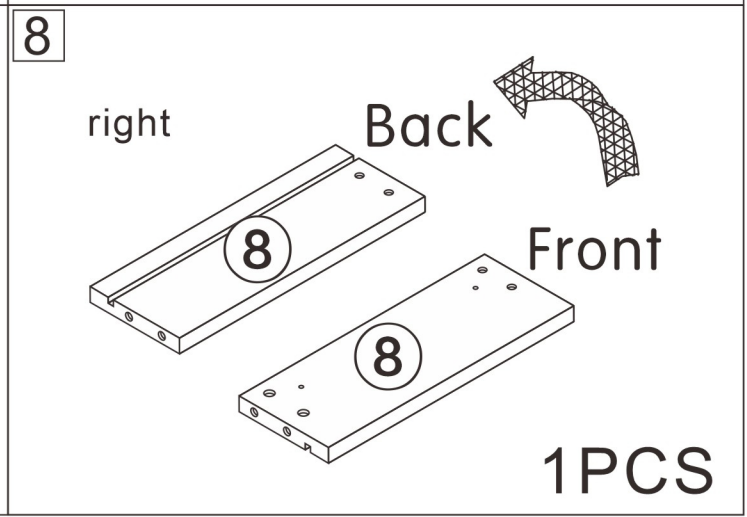
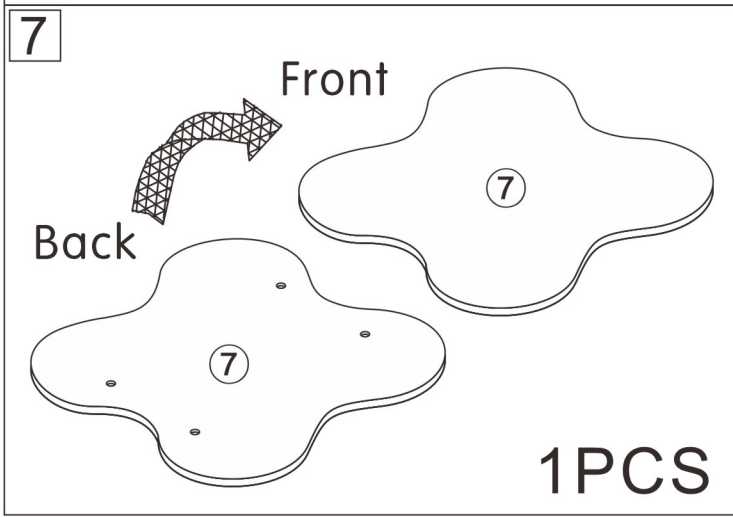
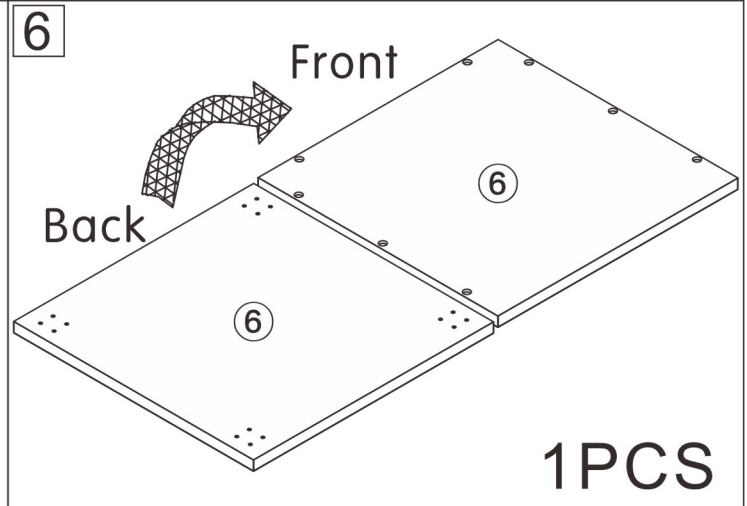
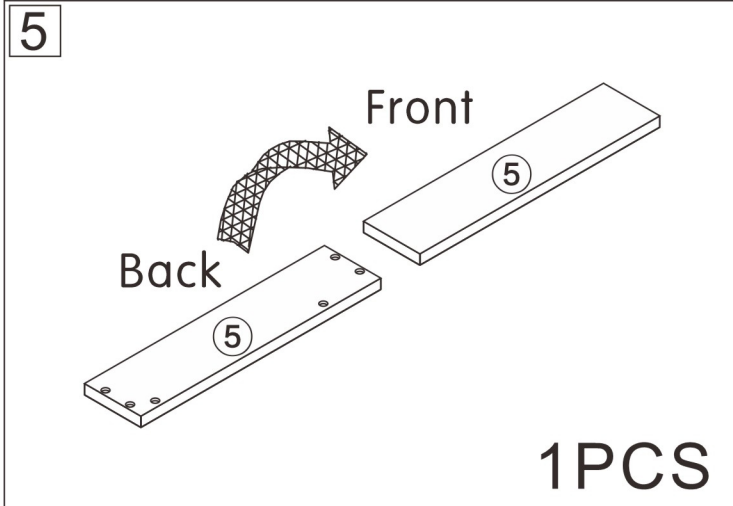
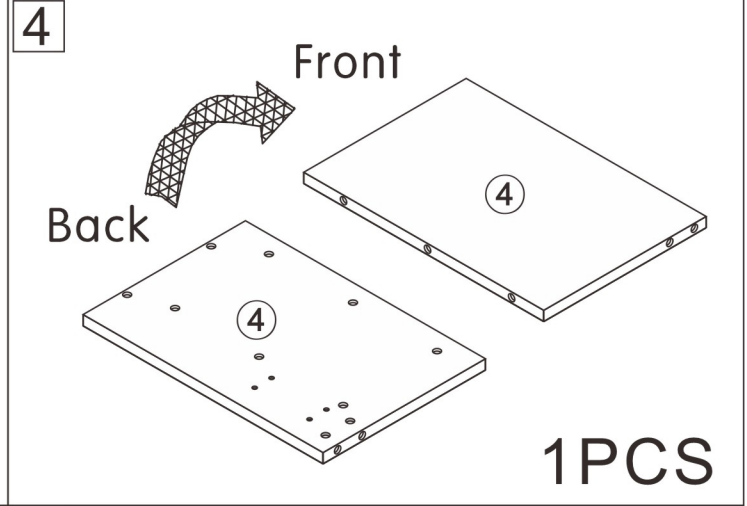
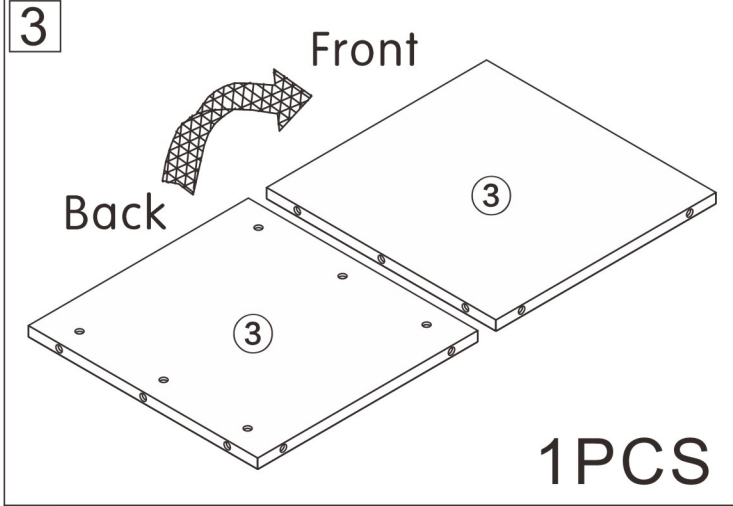
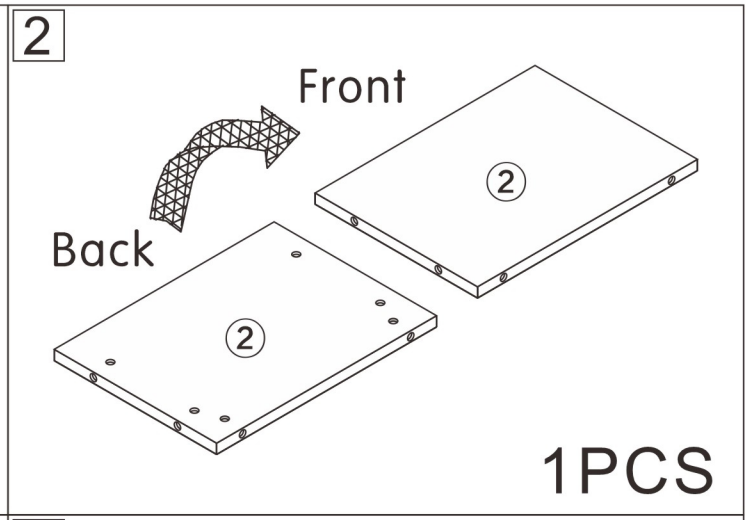
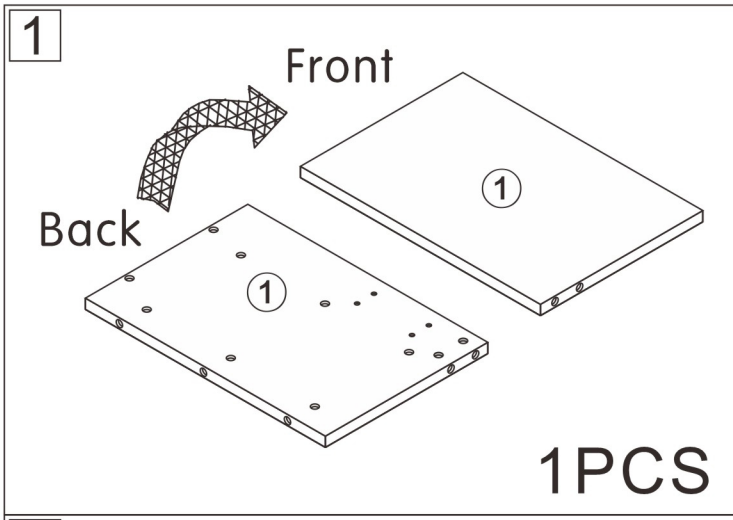
Notes: Don't tighten screws completely at first, just in case parts were assembled wrongly and need disassemble. Tighten screws at last when all parts are put together.

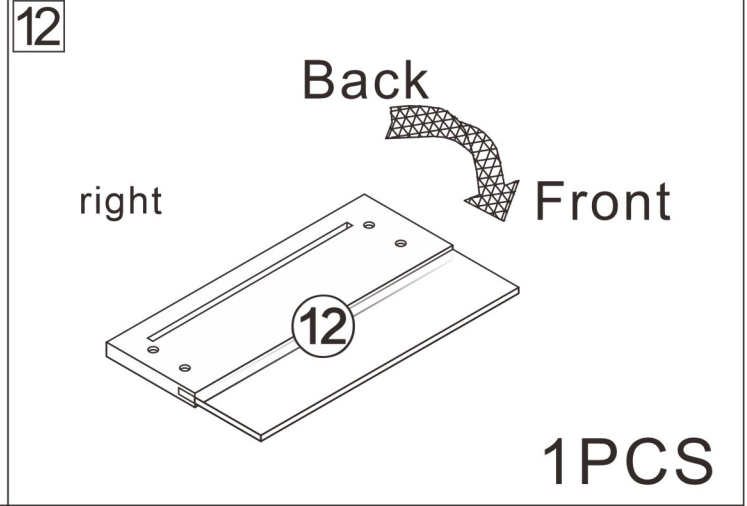
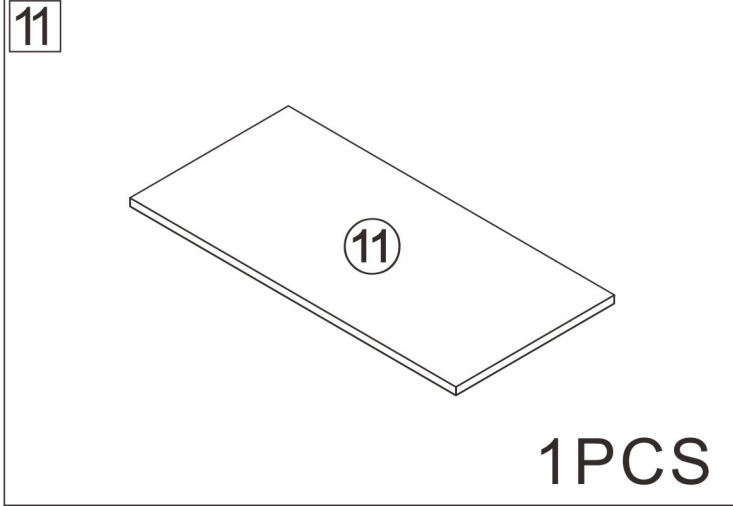
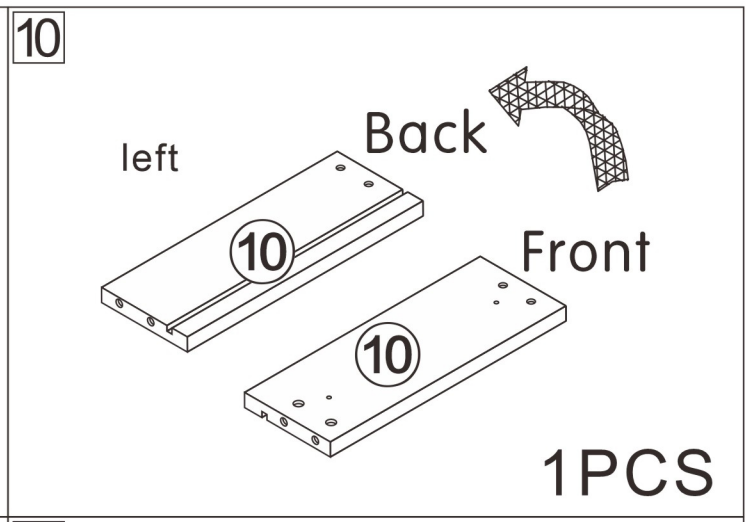
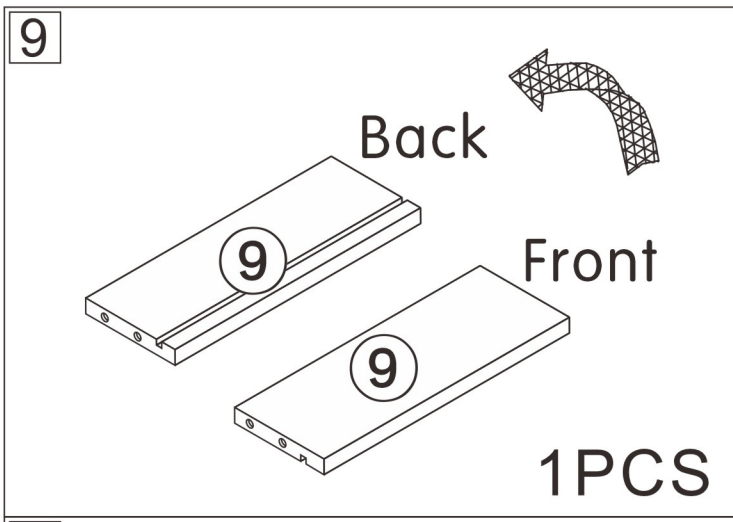


Disassembly and installation of accessories



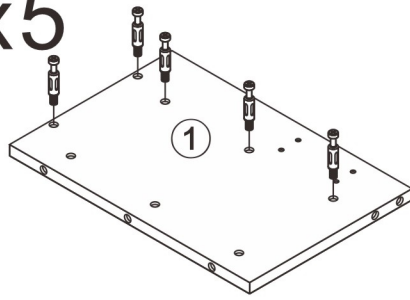
A 28PCS	B 28PCS	C 24PCS	D 4PCS	E 4PCS	F 2PCS	G 1PCS	 Tools Recommended
 15*10mm	 6*28mm	 3.5*14mm	 3.5*40mm				
H 16PCS							
 6*12mm							



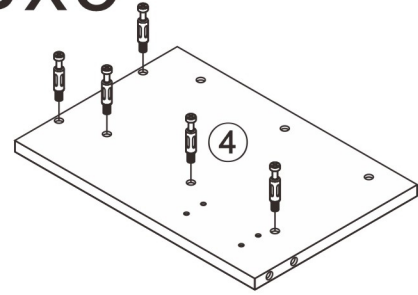


1

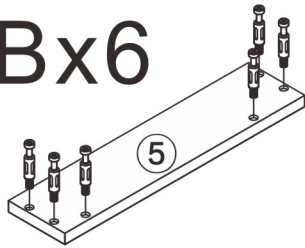
Bx5



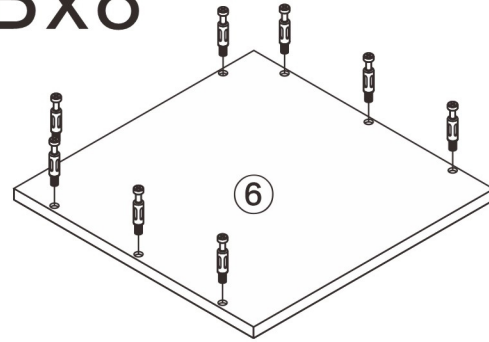
Bx5



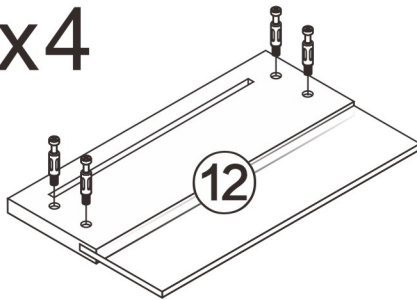
Bx6




Bx8



Bx4



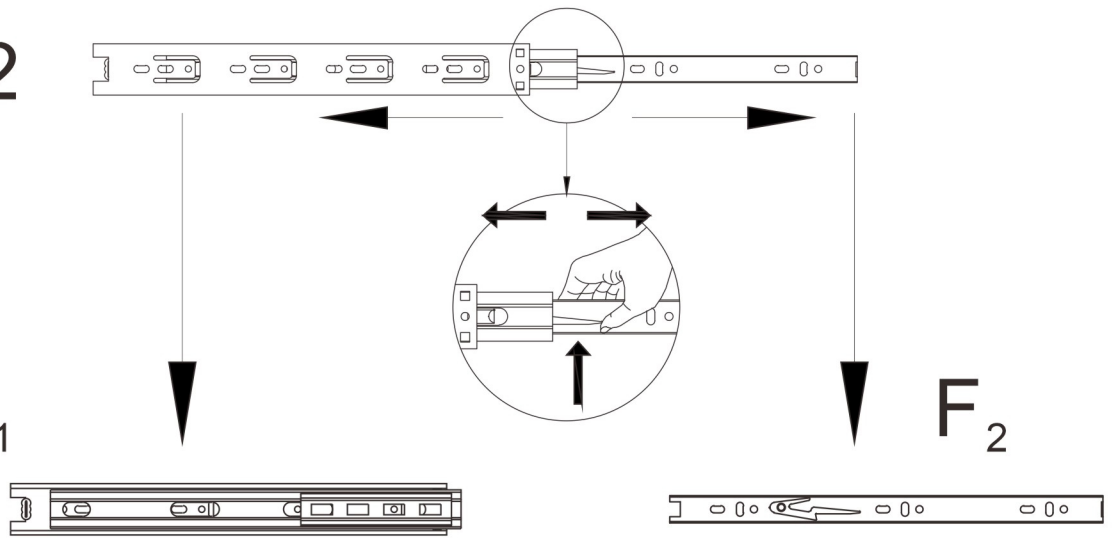
B	28PCS
	
6*28mm	

2

Fx2

F₁

F₂

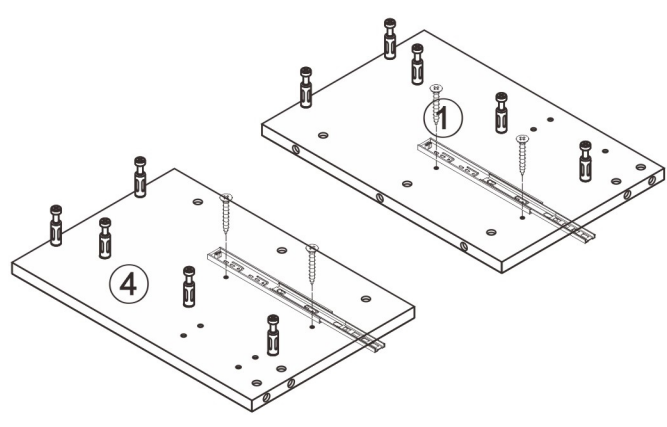
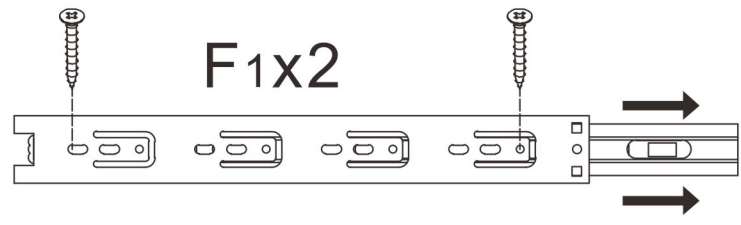


F	2PCS
Three-section Rail	

3

F₁x2

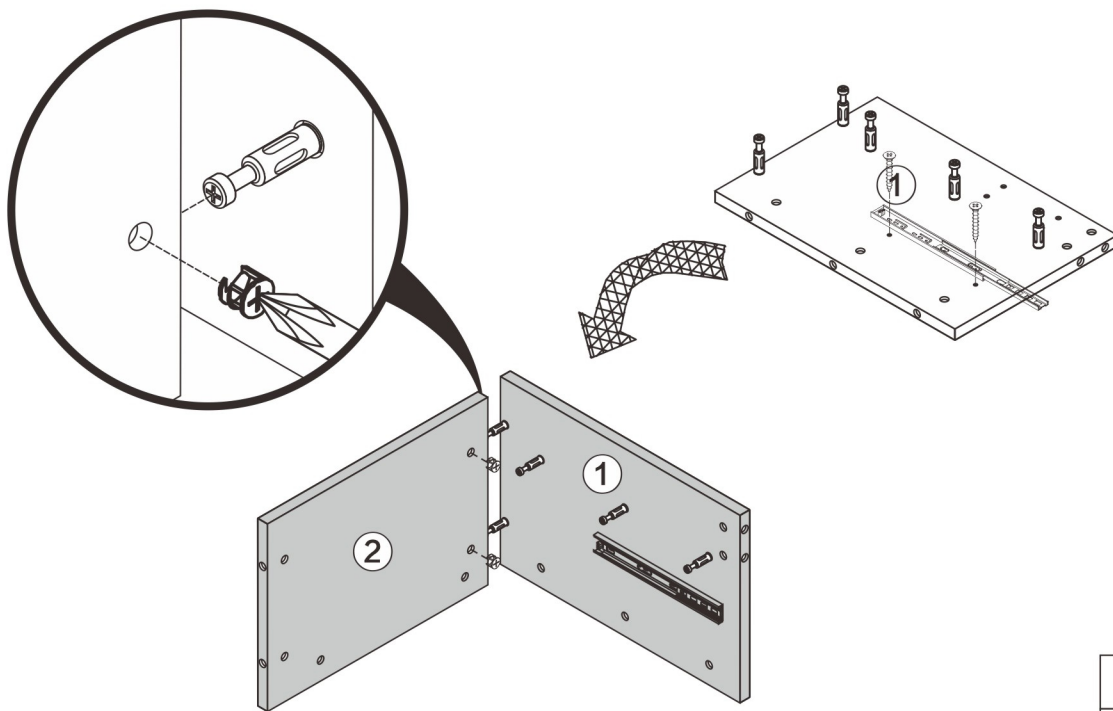
F₁X2
CX2X2




C	8PCS
3.5*14mm	

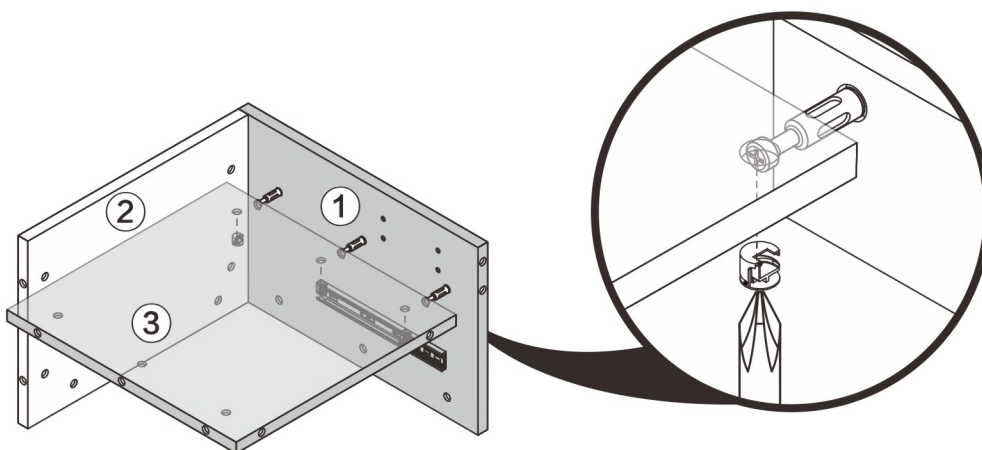
F₁	2PCS
Three-section Rail	


5



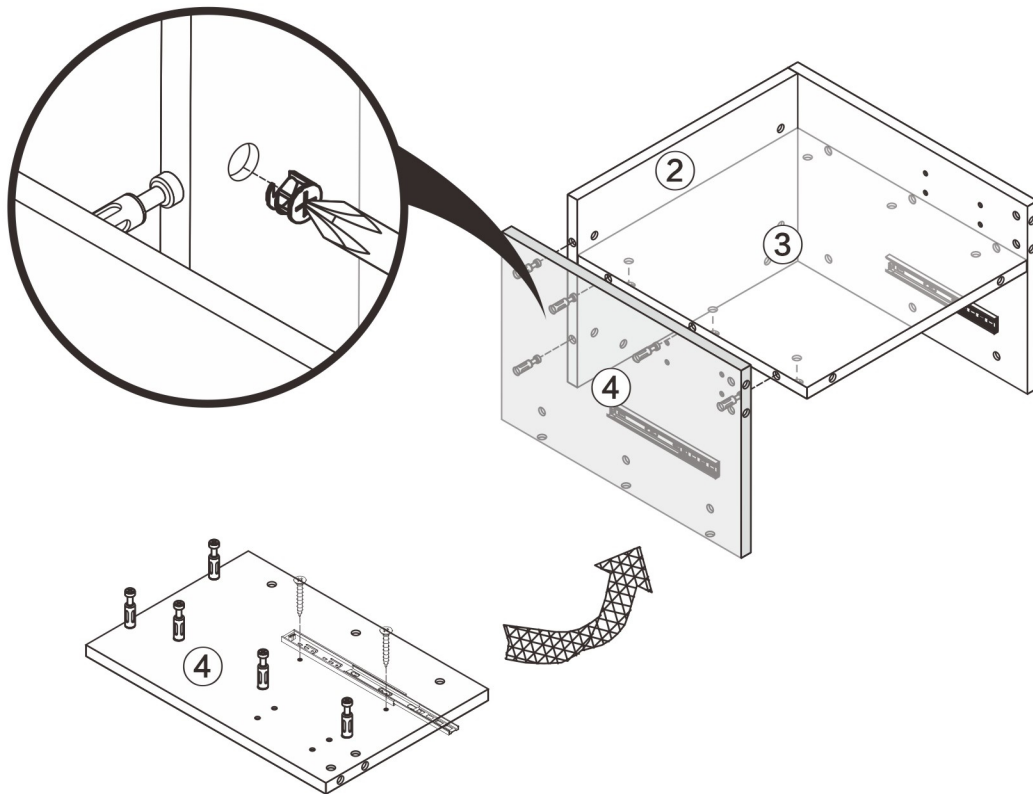
A	2PCS
	
15*10mm	


5



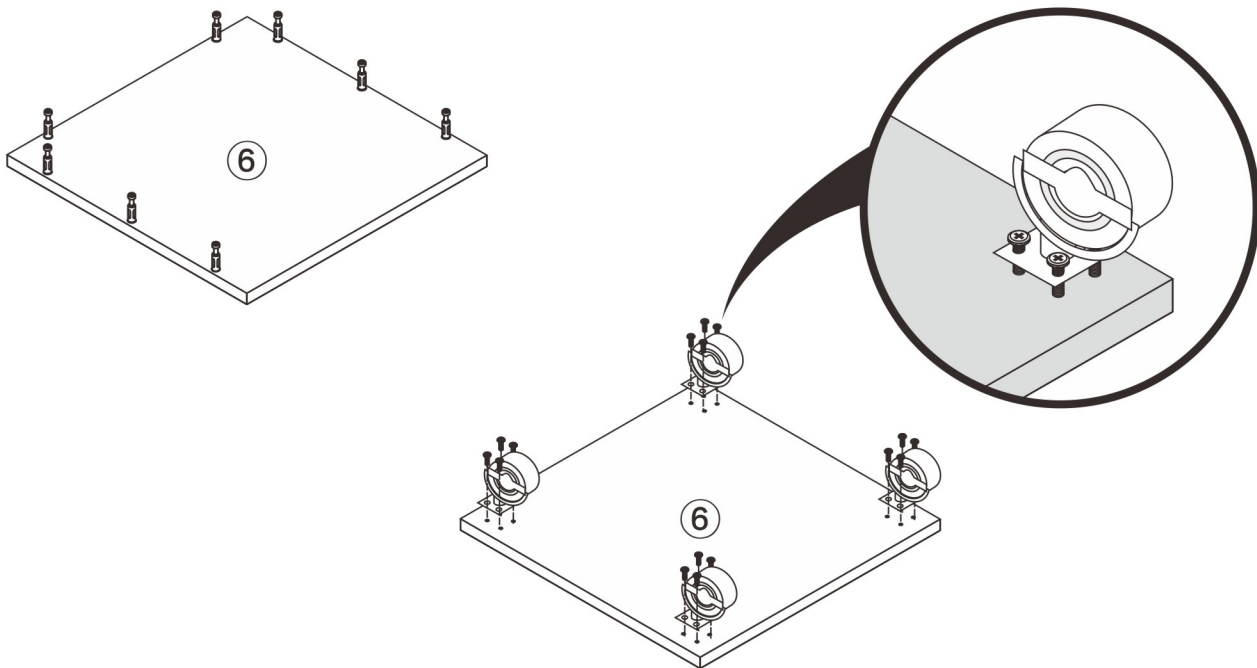
A	3PCS
	
15*10mm	

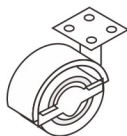
6




A	5PCS
	
15*10mm	

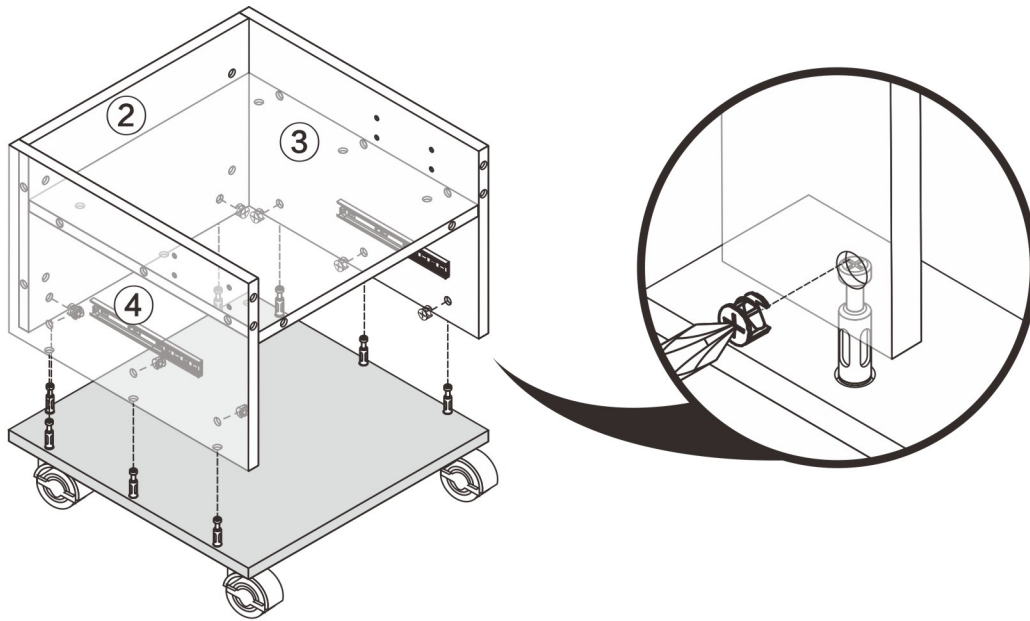
7




E	4PCS
	

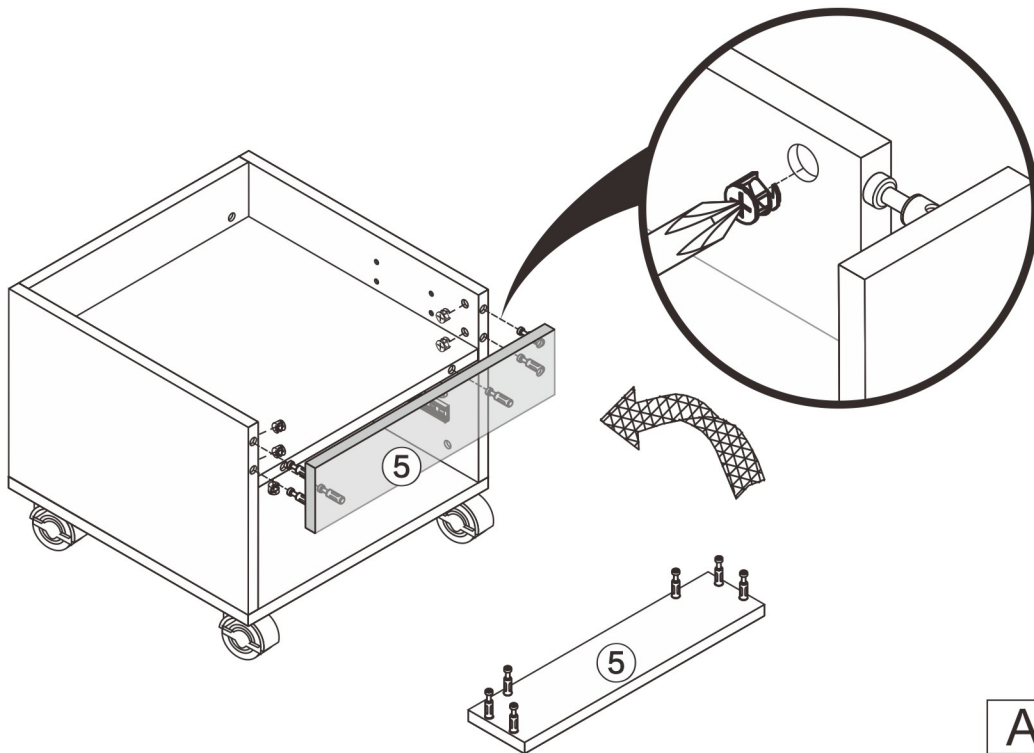
H	16PCS
	
6*12mm	


8



A	8PCS
	
15*10mm	

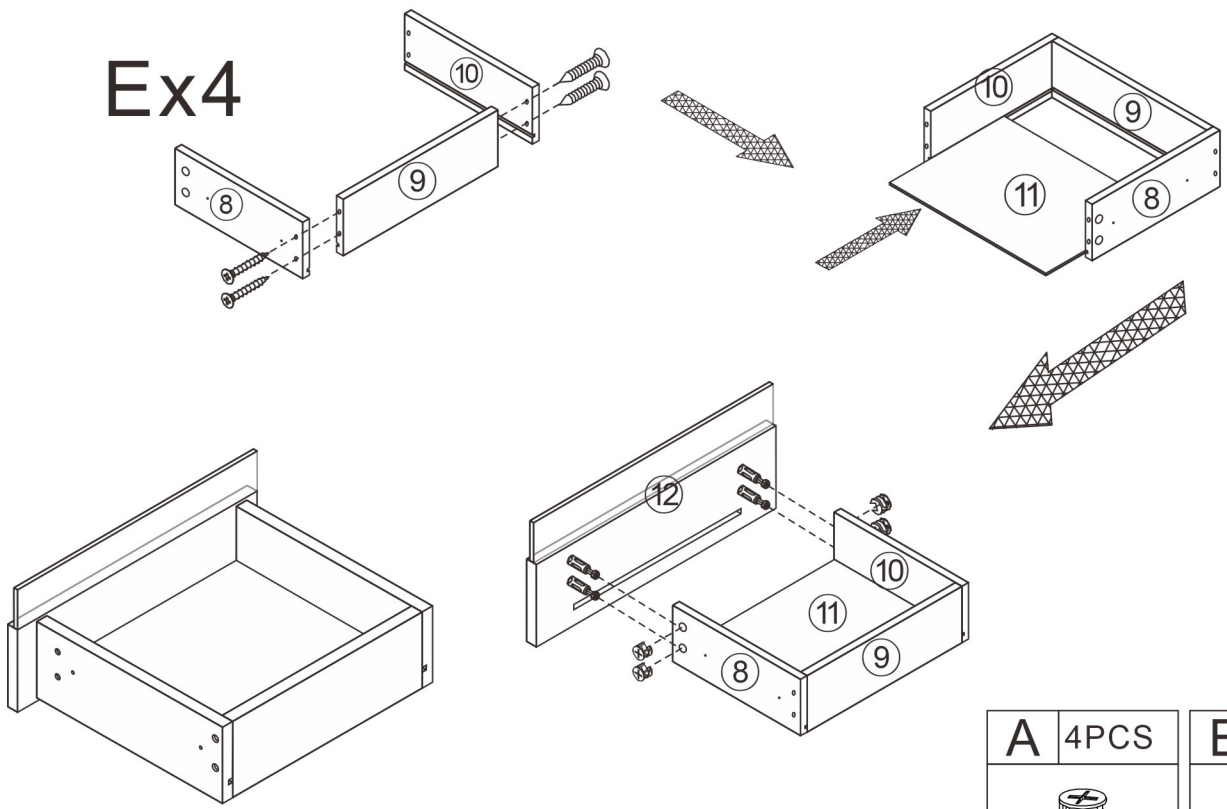
9





A	6PCS
	
15*10mm	

10

Ex4

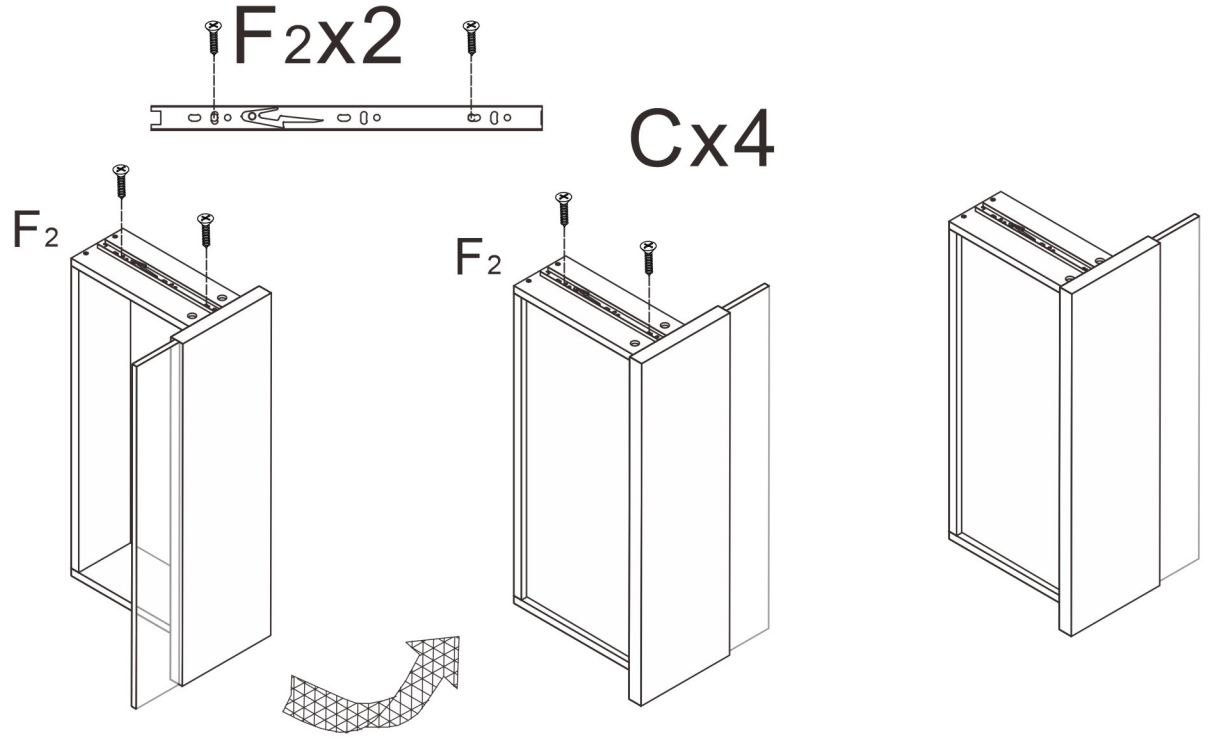




A	4PCS	E	4PCS
			
15*10mm		3.5*40mm	

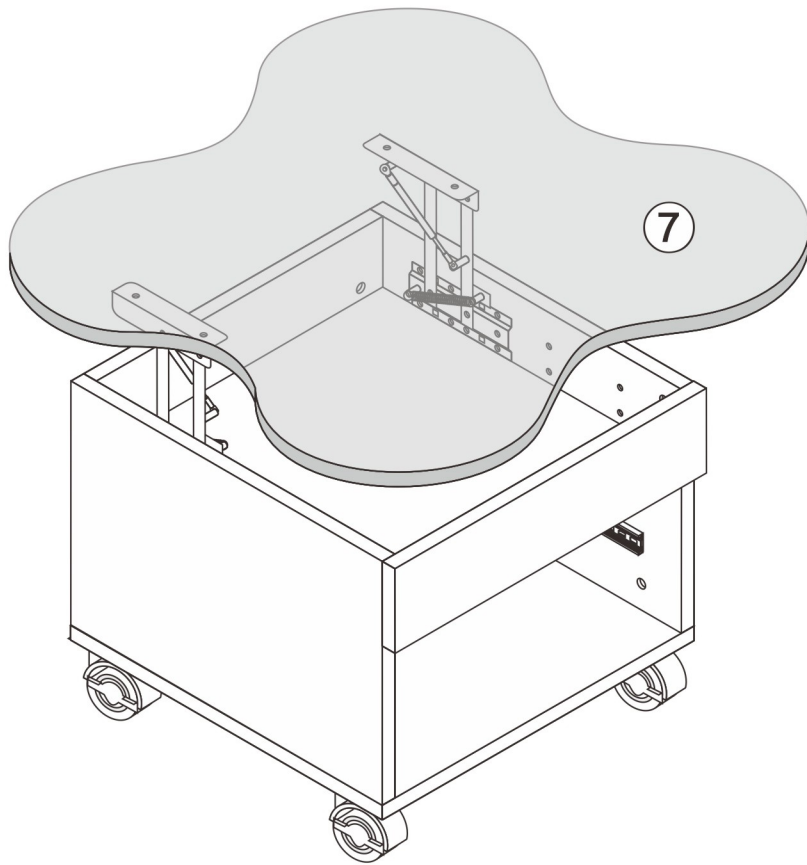
11


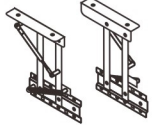
F₂x2

Cx4



C	4PCS	F ₂	2PCS
			
3.5*14mm		Three-section Rail	



C	24PCS	G	1PCS
			
3.5*14mm			

