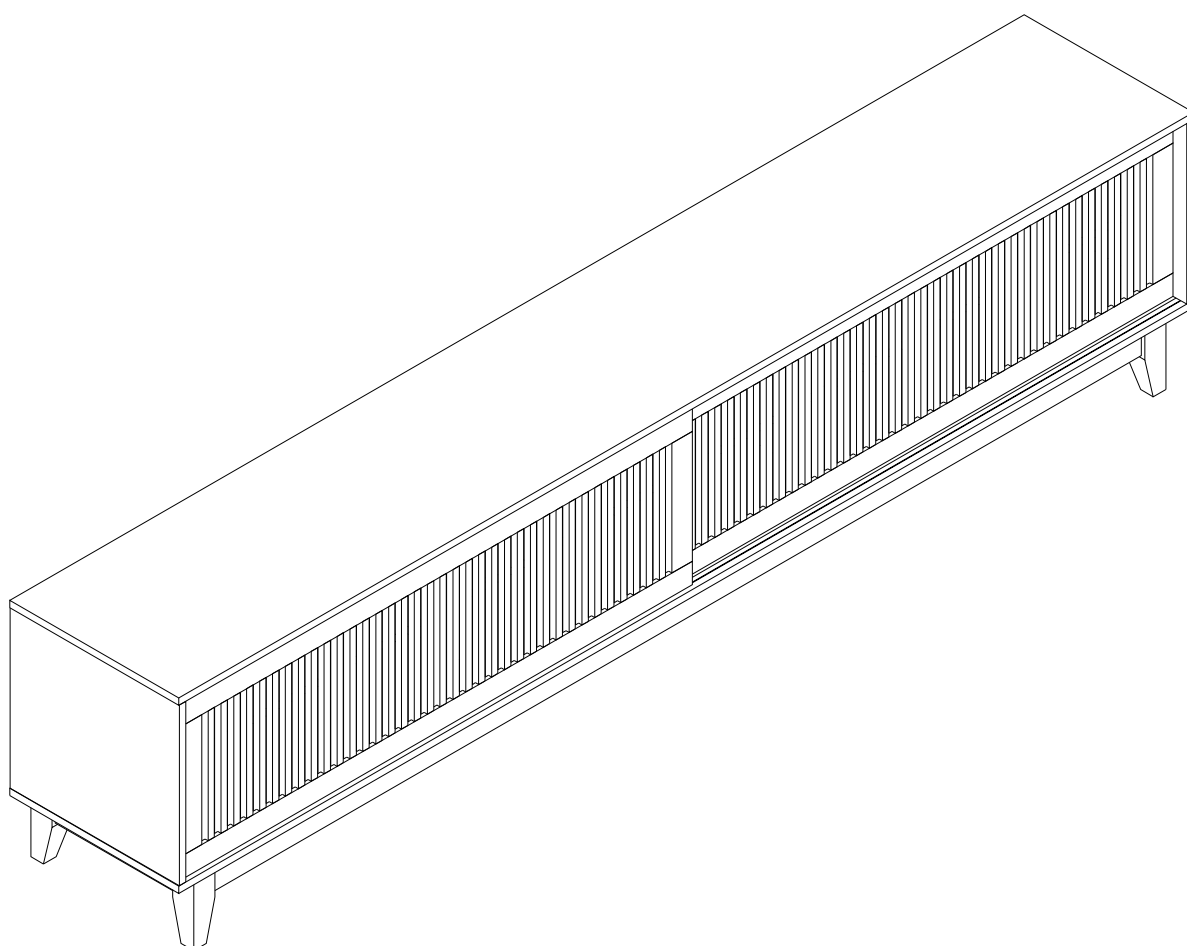
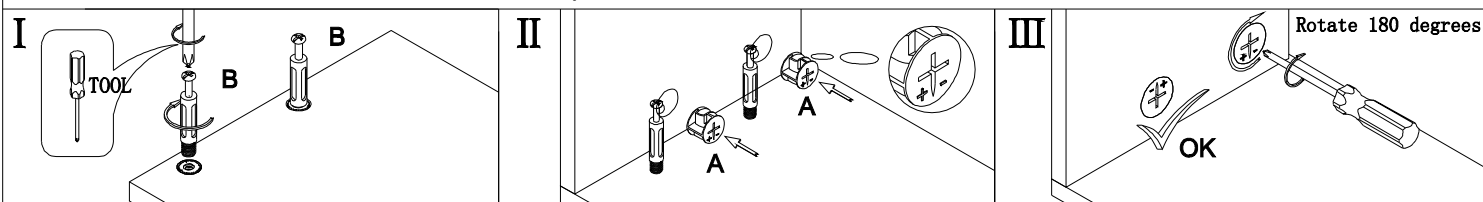


# JJTS119

## Installation Instructions

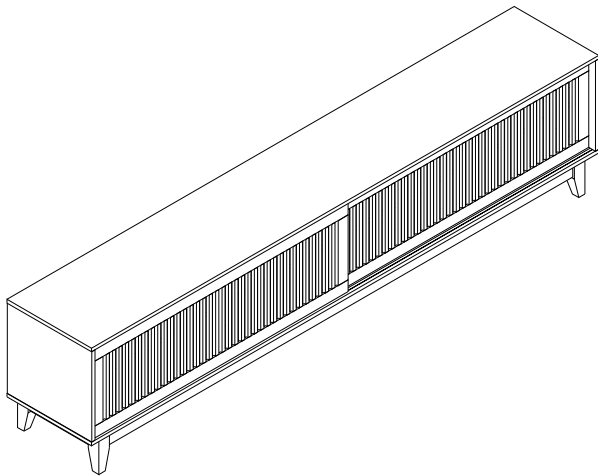
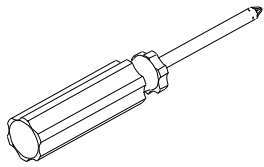


### Disassembly and installation of accessories



# Assembly Instruction

## Parts list



# 五金表/Hardware list

## STEP 2



(A)\*1

5mm

Hexagon bar wrench



(B)\*1

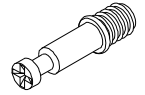
3mm

Hexagon bar wrench



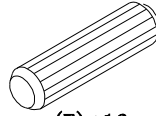
(C)\*28

ø12\*9.5  
3-in-1  
small lock



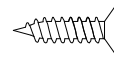
(D)\*28

ø5\*35  
2-in-1  
small rod



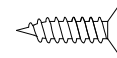
(E)\*16

ø8\*40  
Wood tenon



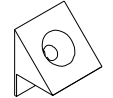
(F)\*44

M3.5\*15mm  
Self-tapping  
screw



(G)\*4

M4\*25mm  
Self-tapping  
screw



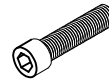
(H)\*12

14\*13\*10  
Back Panel Buckle



(I)\*4

M6\*35  
Bevel inner  
hexagon screw



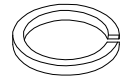
(J)\*8

M8\*55  
Bevel inner  
hexagon screw



(K)\*12

外圆17内1圆9\*8



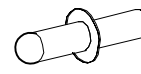
(L)\*8

M8.5  
Spring shim



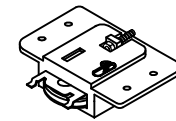
(M)\*6

M16\*20  
脚钉



(N)\*12

M5\*17  
层板托



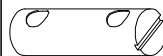
(O)\*8

60\*50\*14  
Pulley



(P)\*1

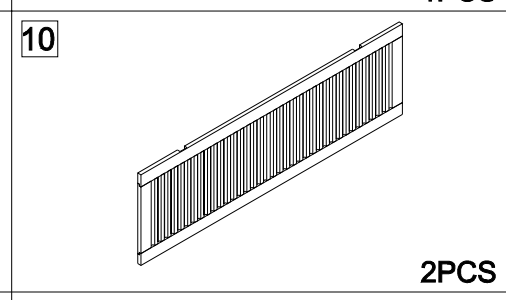
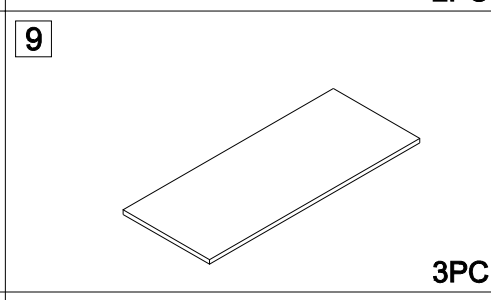
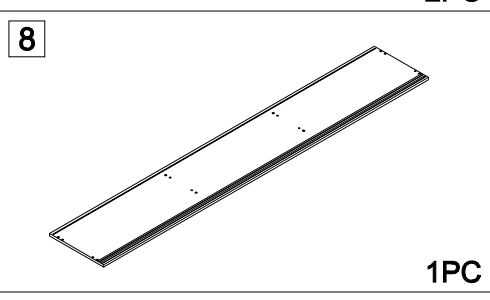
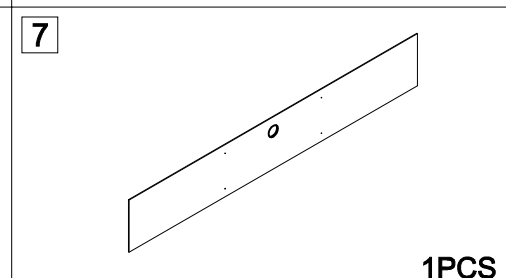
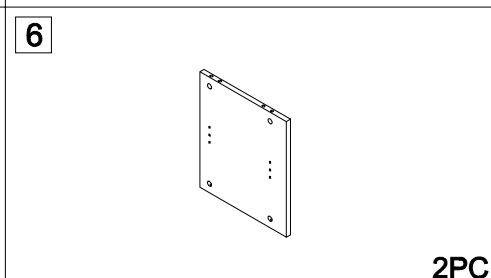
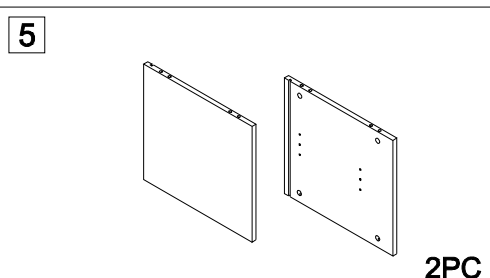
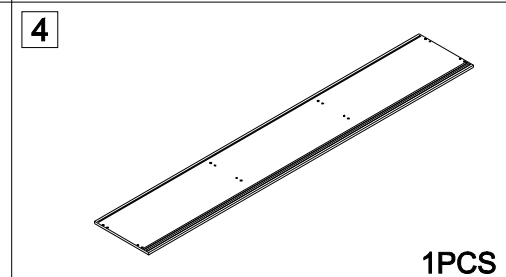
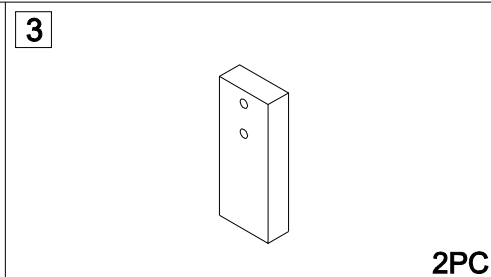
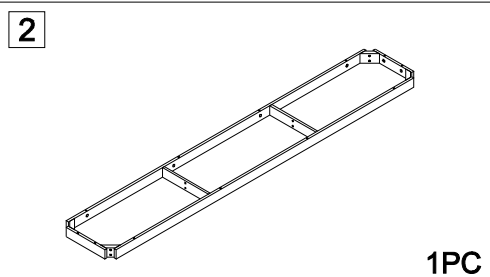
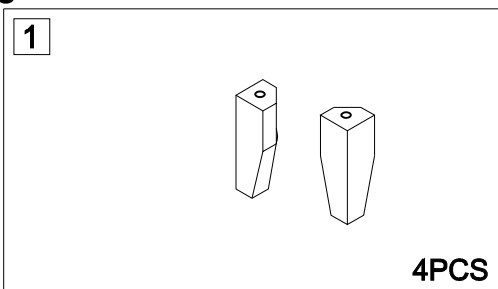
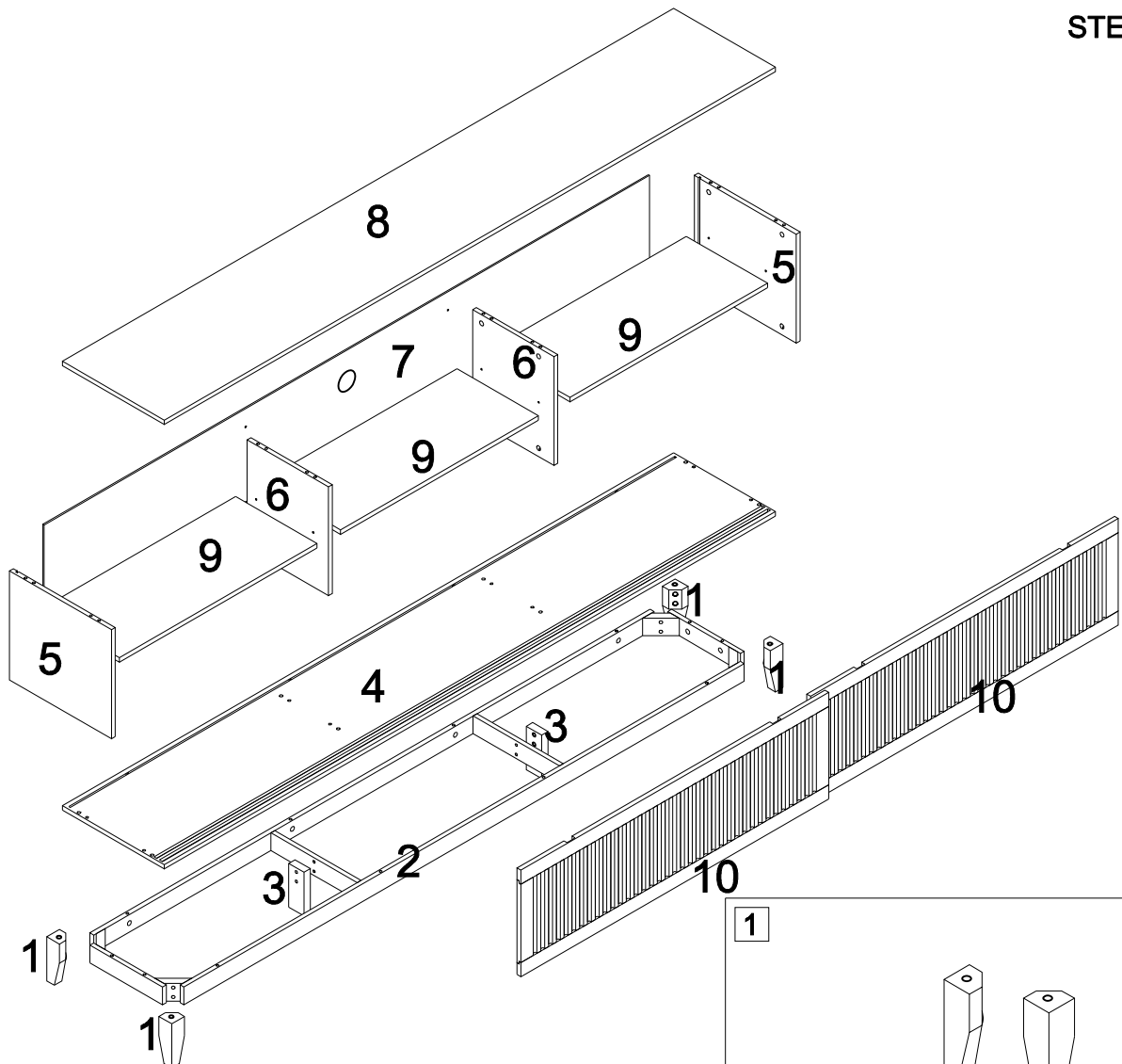
ø60  
Cover with vent hole

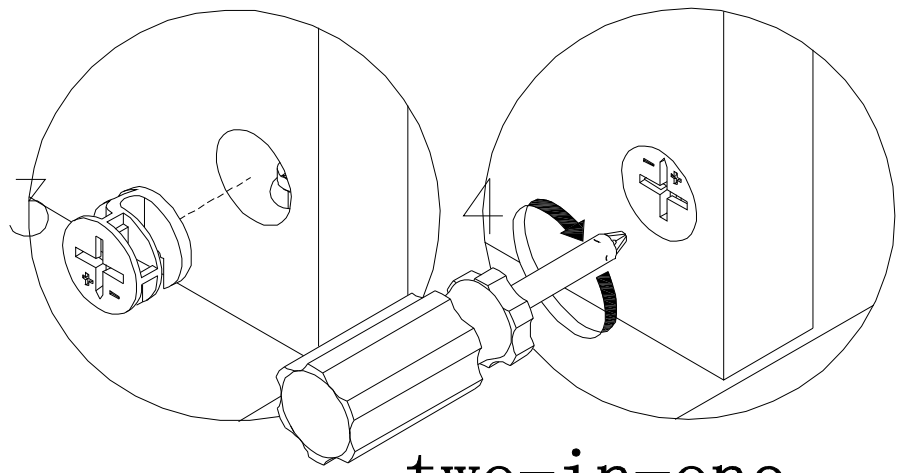
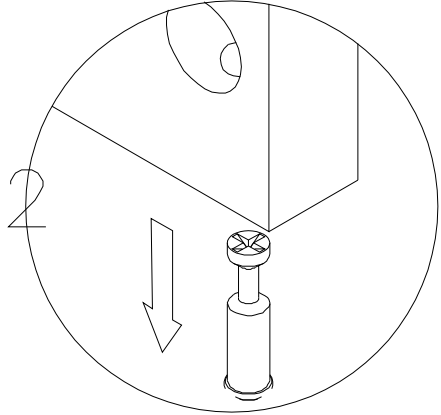
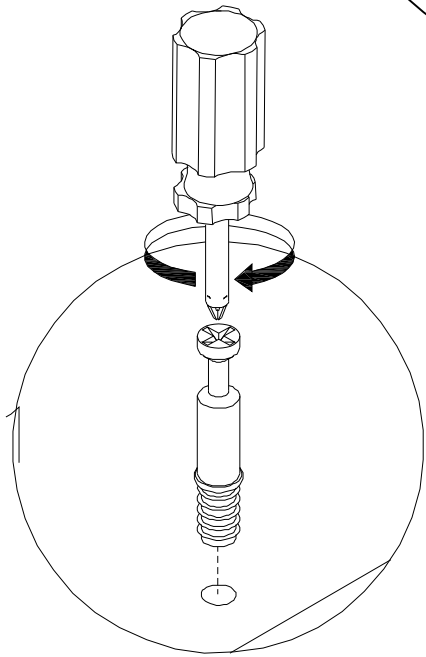
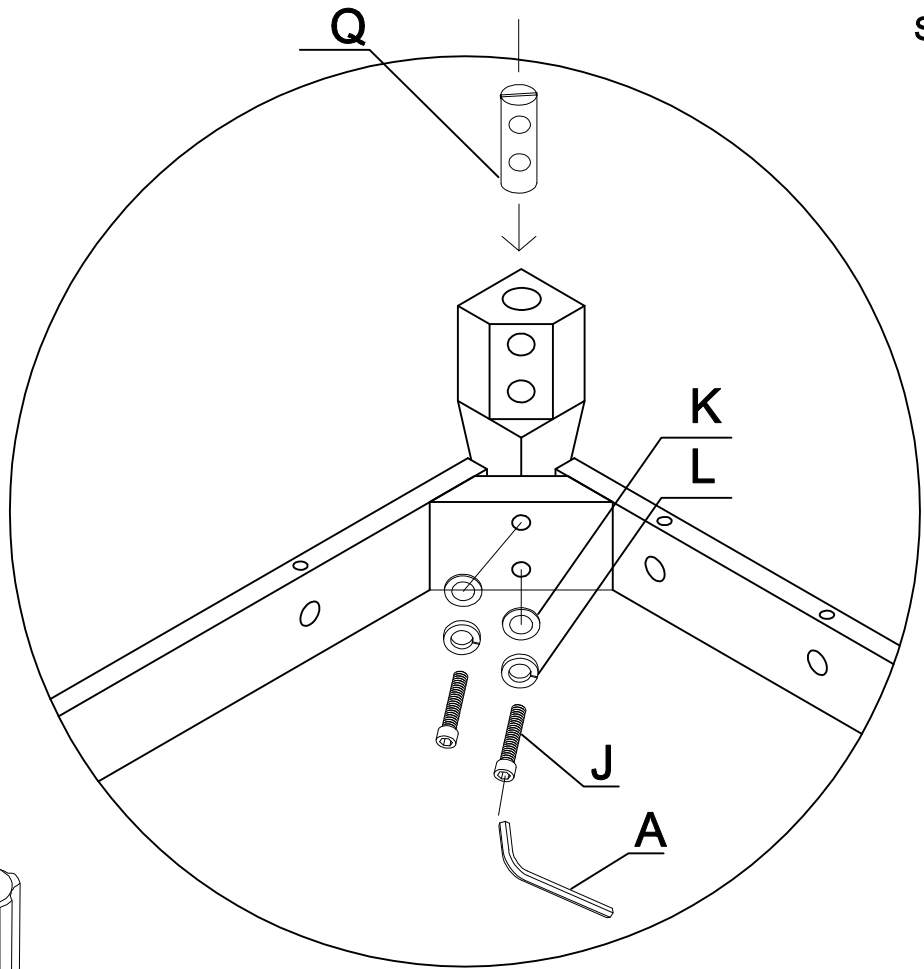


(Q)\*4

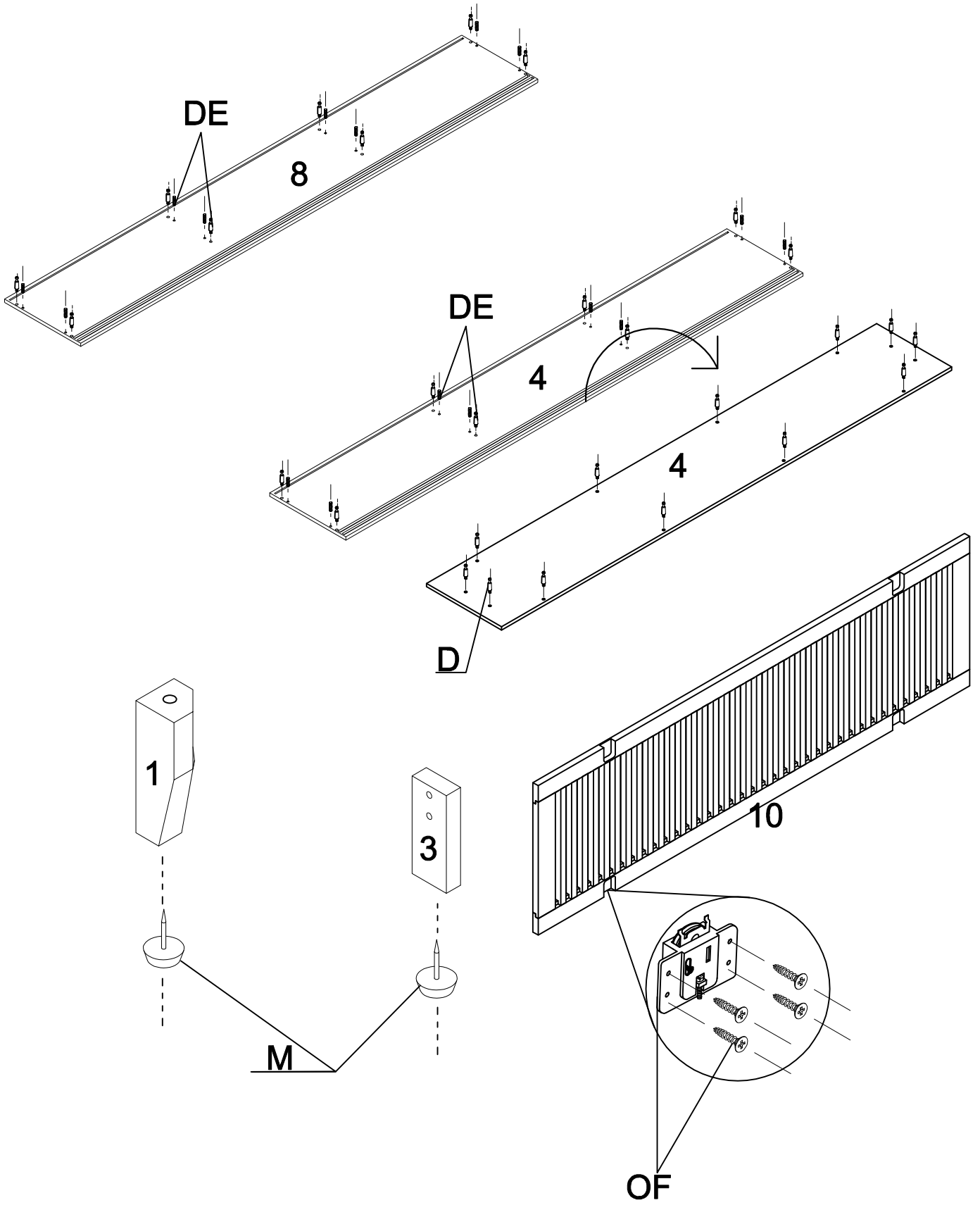
M8-ø12\*60  
Hammer nut


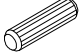


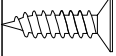
STEP 3





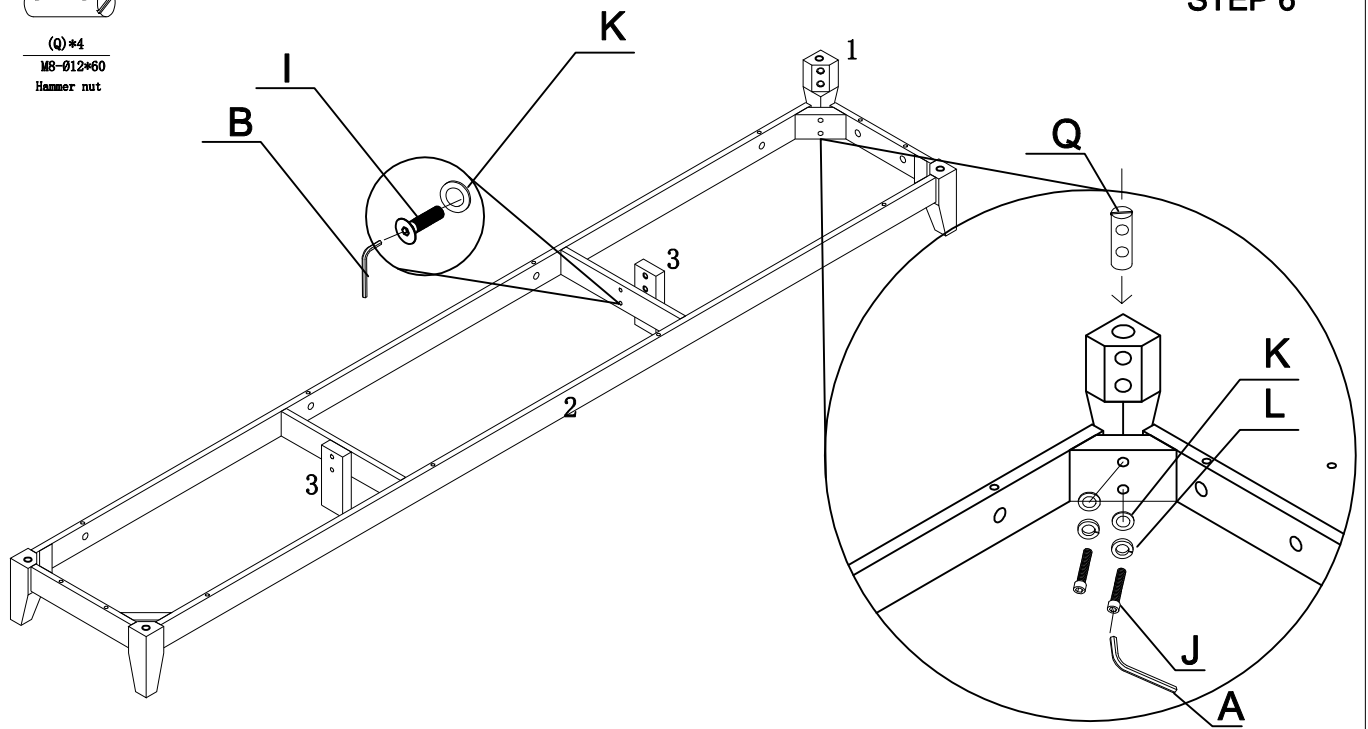
two-in-one



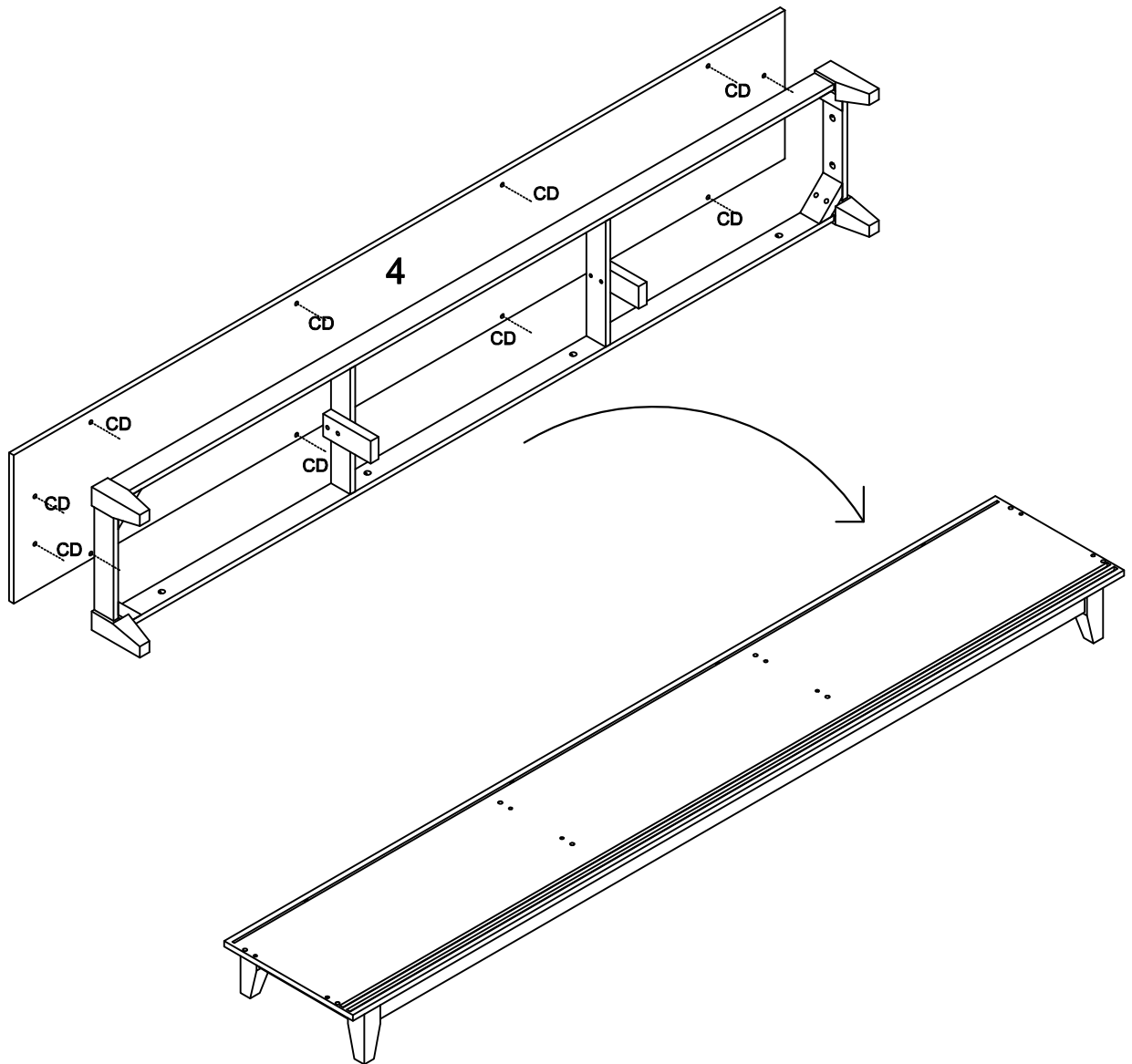
D	28PCS	E	16PCS	M	6PCS	O	8PCS	F	32PCS
									
φ 5*35mm	φ 8*40mm	M16*20mm	60*50*14mm	自攻丝M3, 5*15					

STEP 6

- (A)\*1  
5mm  
Hexagon bar wrench
- (Q)\*4  
M8-Ø12\*60  
Hammer nut
- (B)\*1  
3mm  
Hexagon bar wrench
- (I)\*4  
M6\*35  
Bevel inner hexagon screw
- (J)\*8  
M6\*55  
Bevel inner hexagon screw
- (L)\*8  
M8.5  
Spring shim



- (C)\*12  
Ø12\*9.5  
3-in-1  
small lock
- (D)\*12  
Ø5\*35  
2-in-1  
small rod



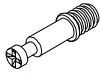
**STEP 7**



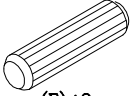
(C) \*8  
 Ø12\*9.5  
 3-in-1  
 small lock



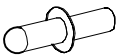
(P) \*1  
 Ø60  
 Cover with vent hole



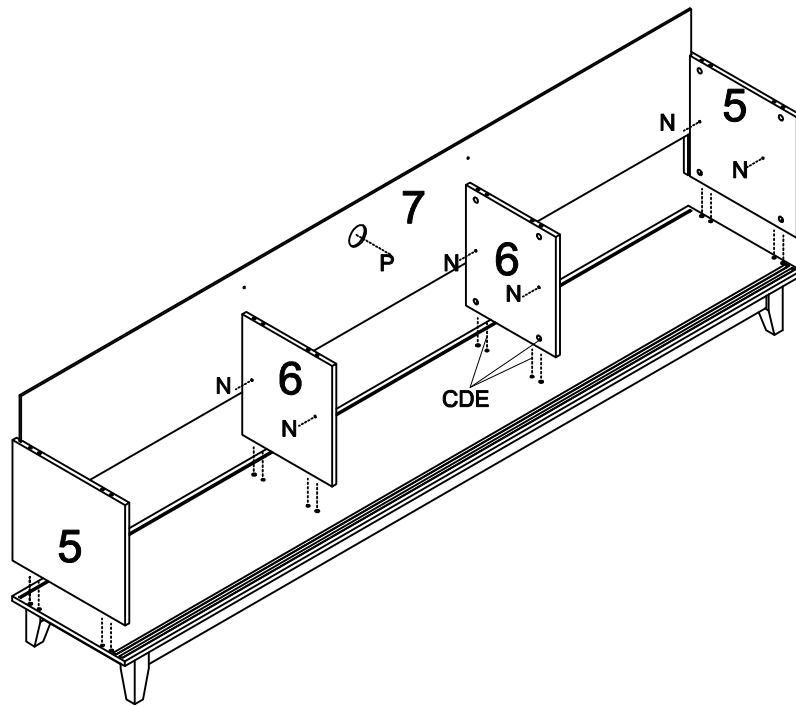
(D) \*8  
 Ø5\*35  
 2-in-1  
 small rod



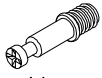
(E) \*8  
 Ø8\*40  
 Wood tenon



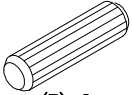
(N) \*12  
 M5\*17  
 层板托



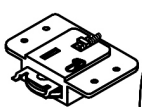
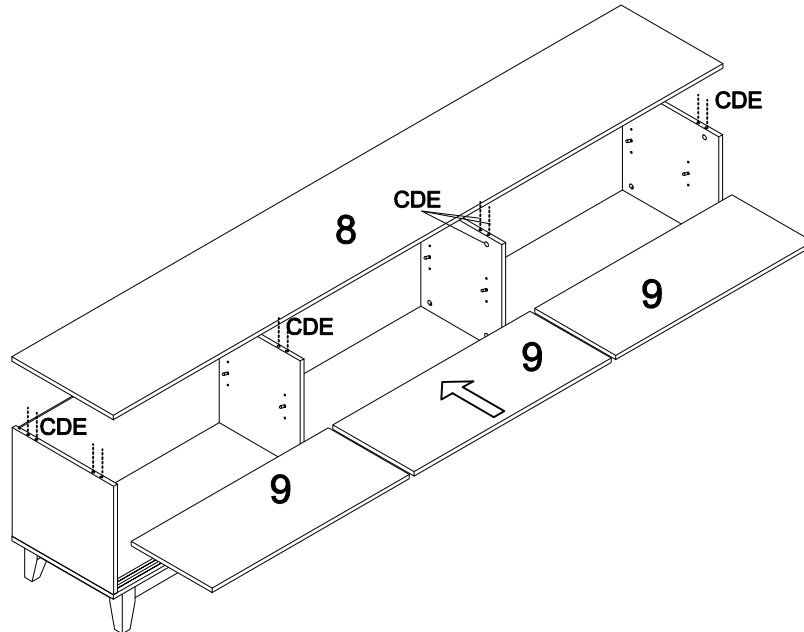
(C) \*8  
 Ø12\*9.5  
 3-in-1  
 small lock



(D) \*8  
 Ø5\*35  
 2-in-1  
 small rod



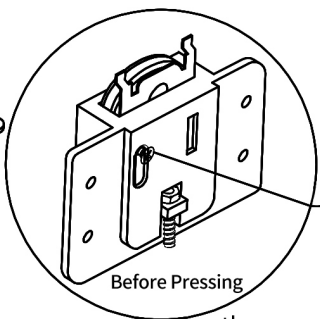
(E) \*8  
 Ø8\*40  
 Wood tenon



(O) \*8  
 60\*50\*14  
 Pulley

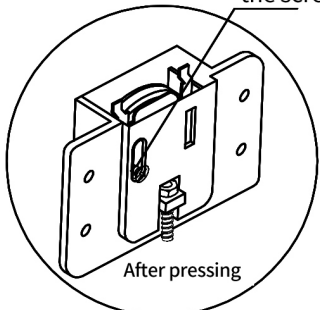


(F) \*32  
 M3.5\*15mm  
 Self-tapping  
 screw



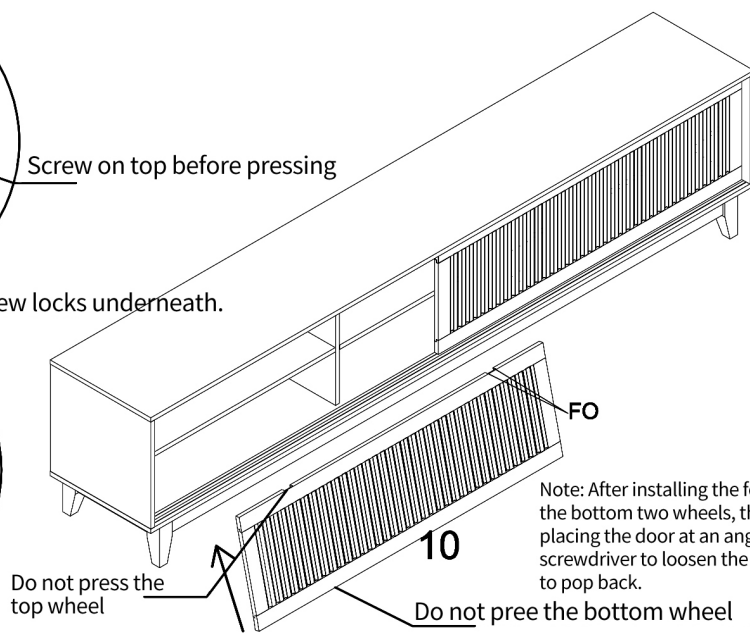
Screw on top before pressing

Before Pressing



After pressing

the screw locks underneath.



Do not press the top wheel

Do not pree the bottom wheel

Note: After installing the four casters, press down on the bottom two wheels, then tighten the screws. After placing the door at an angle into the slot, use a screwdriver to loosen the screws to allow the wheels to pop back.

**STEP 8**



**(F)\*12**

**M3.5\*15mm**  
Self-tapping  
screw



**(G)\*4**

**M4\*25mm**  
Self-tapping  
screw



**(H)\*12**

**14\*13\*10**  
Back Panel Buckle

