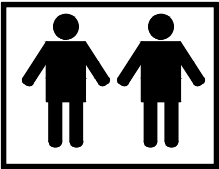
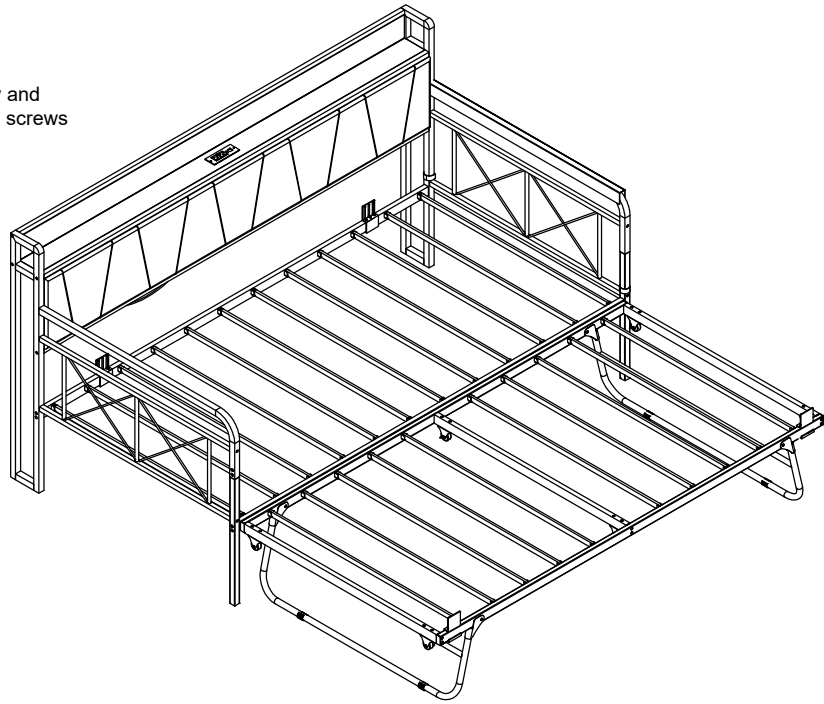
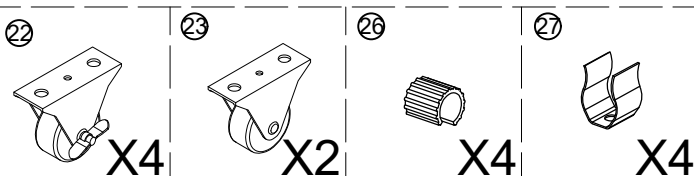
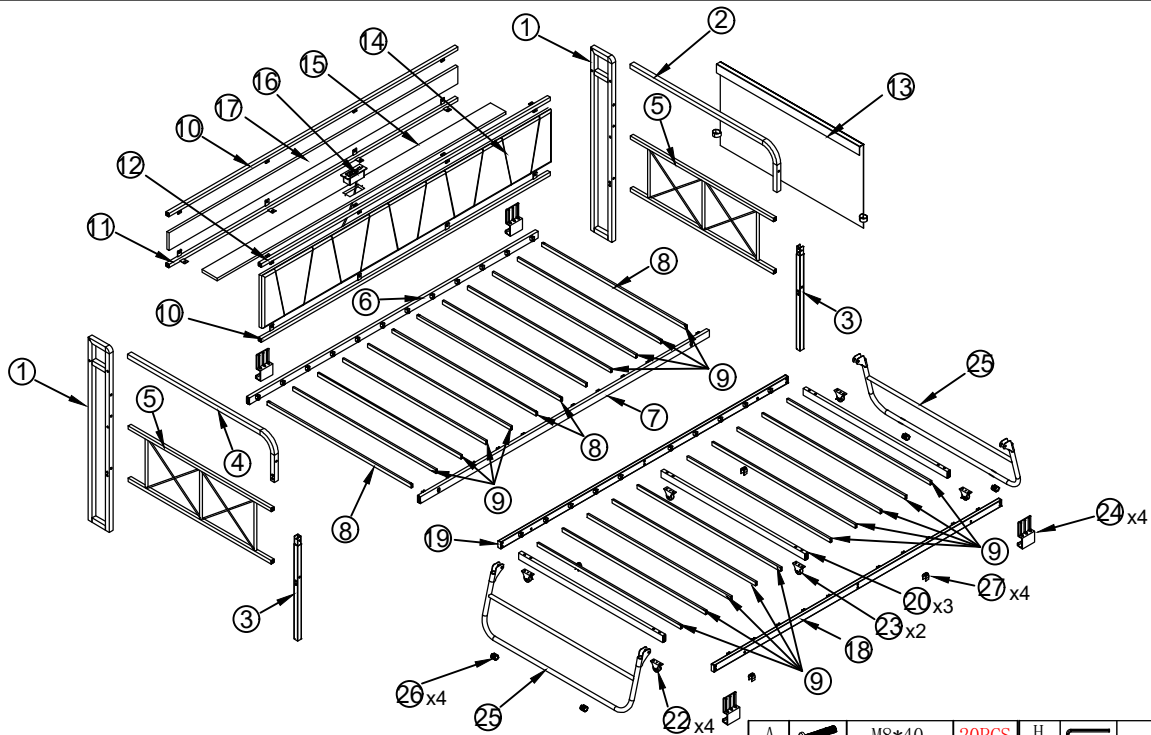


Please don't tighten the screws completely and go back later for a final tightening of all the screws after pieces are aligned with each other.


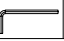


For easier and better assembly, **2** or more adults are required.

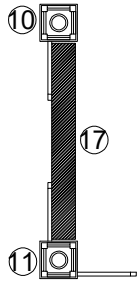
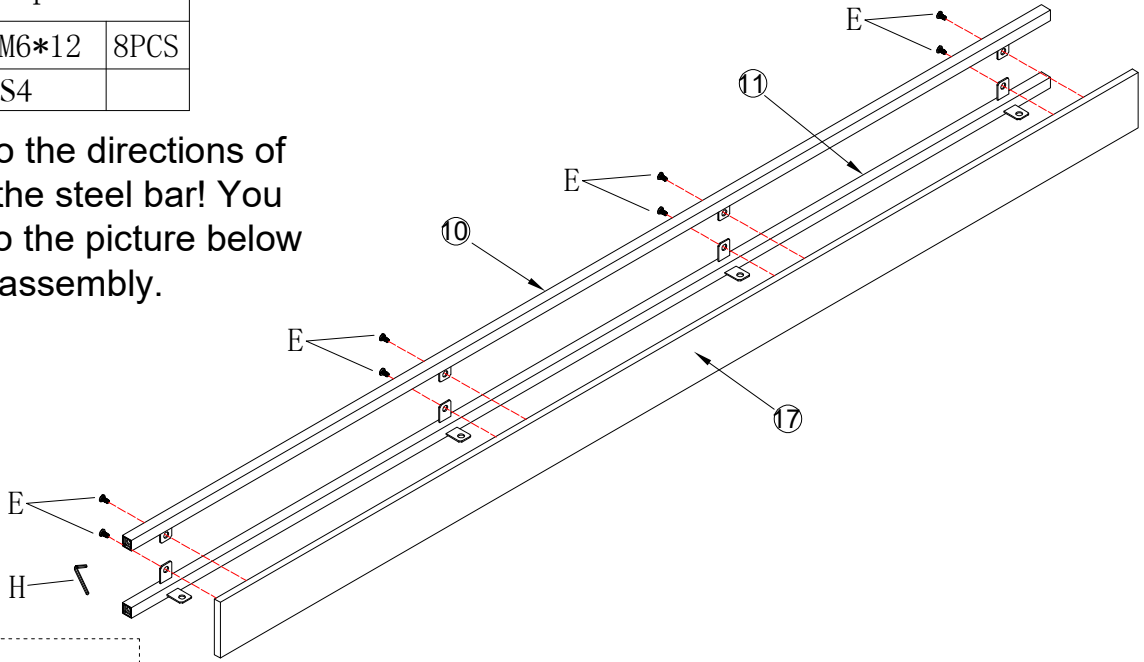


A		M8*40	20PCS	H		S4	2PCS
B		M6*45	30PCS	I			1PC
C		M5*25	8PCS	J		M6*15	4PCS
D		M6*25	2PCS	K		M6*20	4PCS
E		M6*12	34PCS				
F		∅6	30PCS				
G		∅3*12	2PCS				



Step1

E		M6*12	8PCS
H		S4	

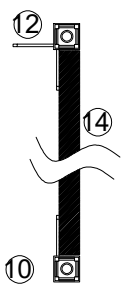
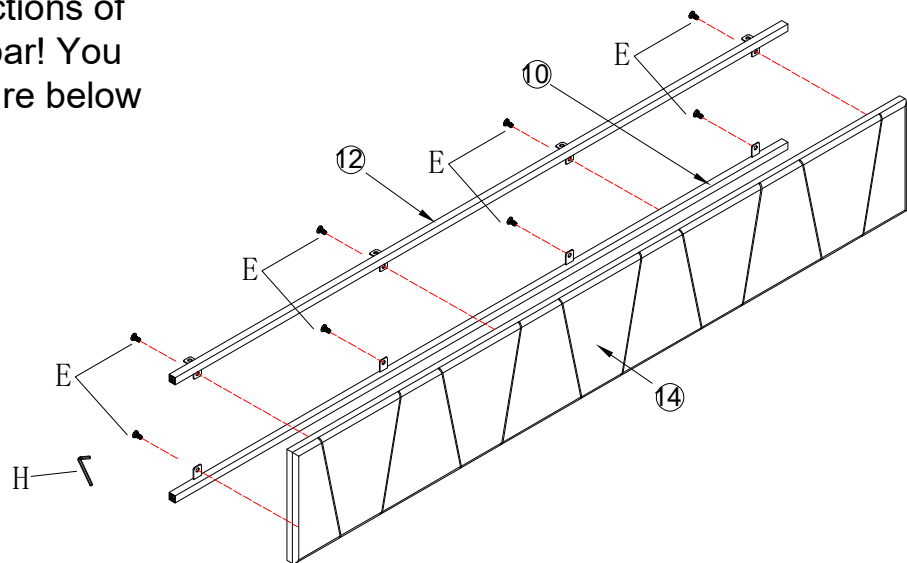
Attention to the directions of pieces on the steel bar! You can refer to the picture below for proper assembly.



Step2

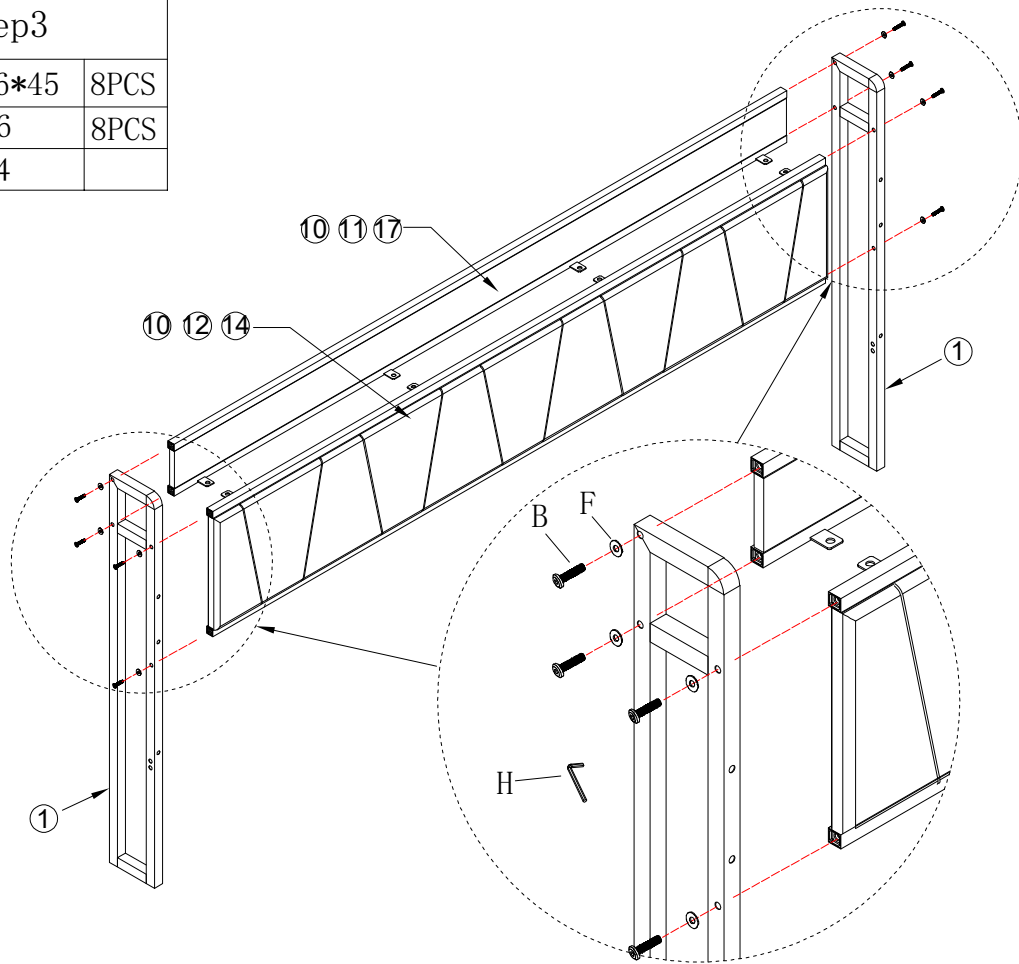
E		M6*12	8PCS
H		S4	

Attention to the directions of pieces on the steel bar! You can refer to the picture below for proper assembly.





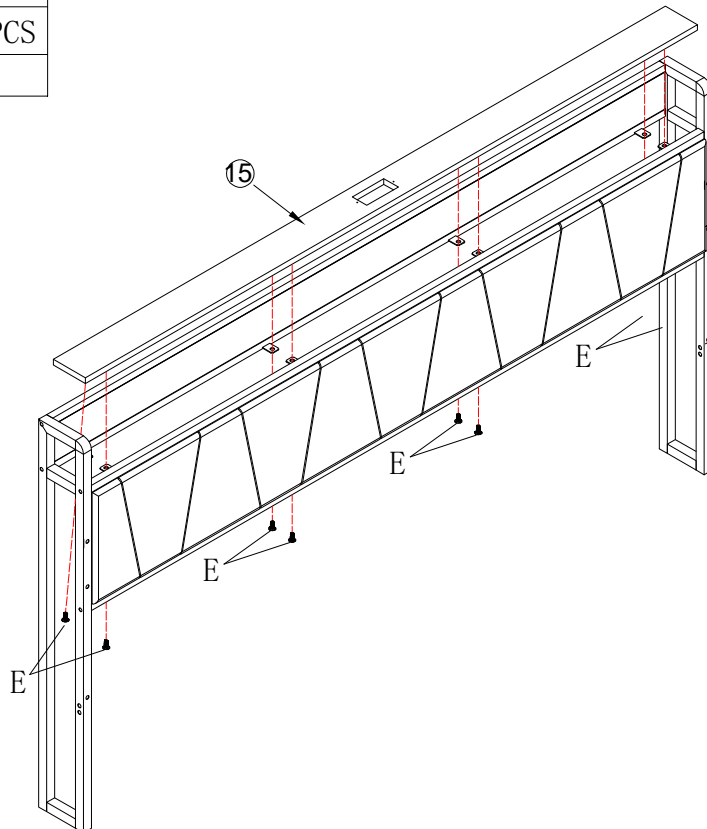
Step3

B		M6*45	8PCS
F		Ø6	8PCS
H		S4	





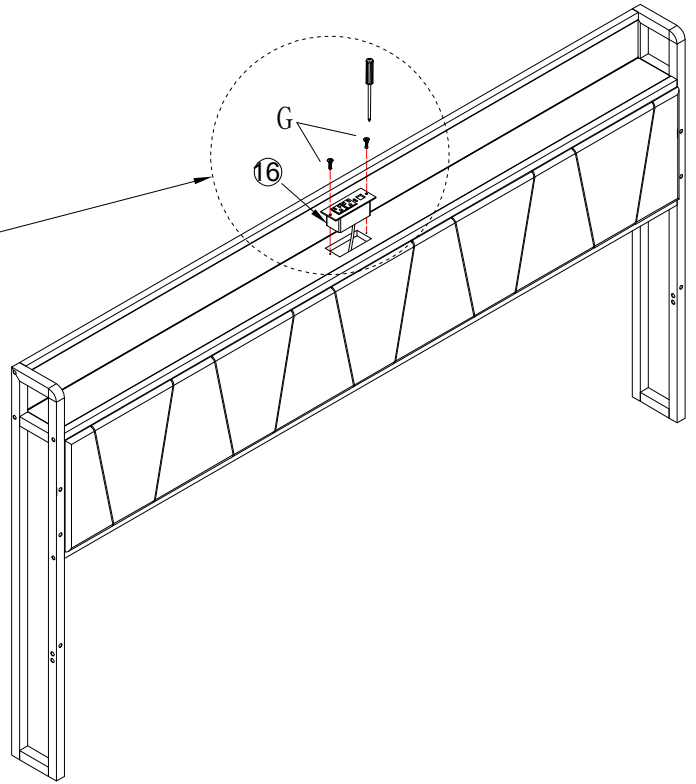
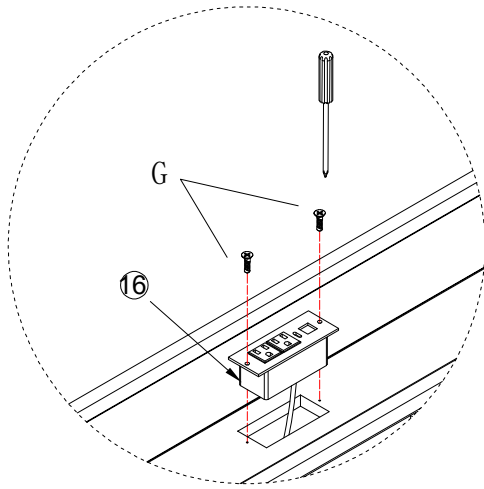
Step4

E		M6*12	8PCS
H		S4	





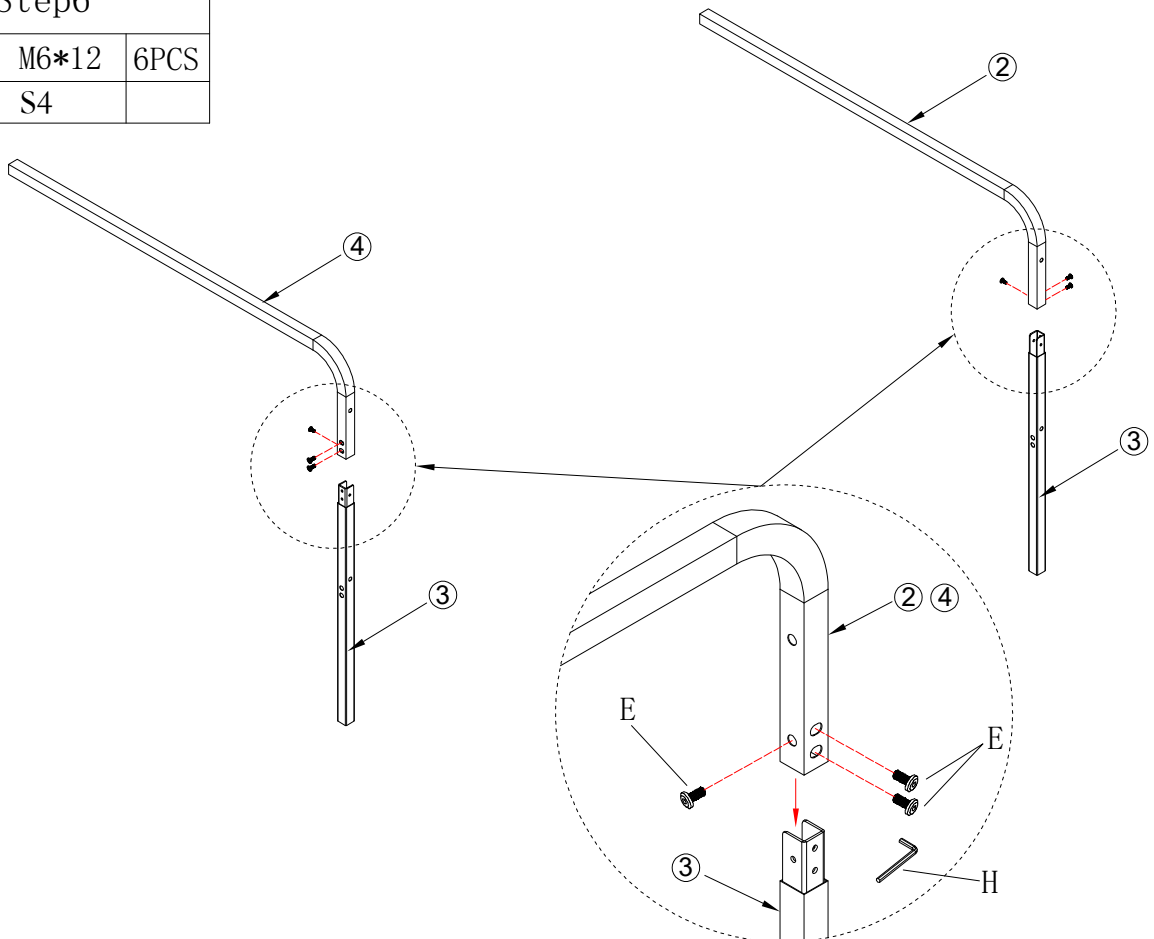
Step5

G		Φ3*12	2PCS
I			






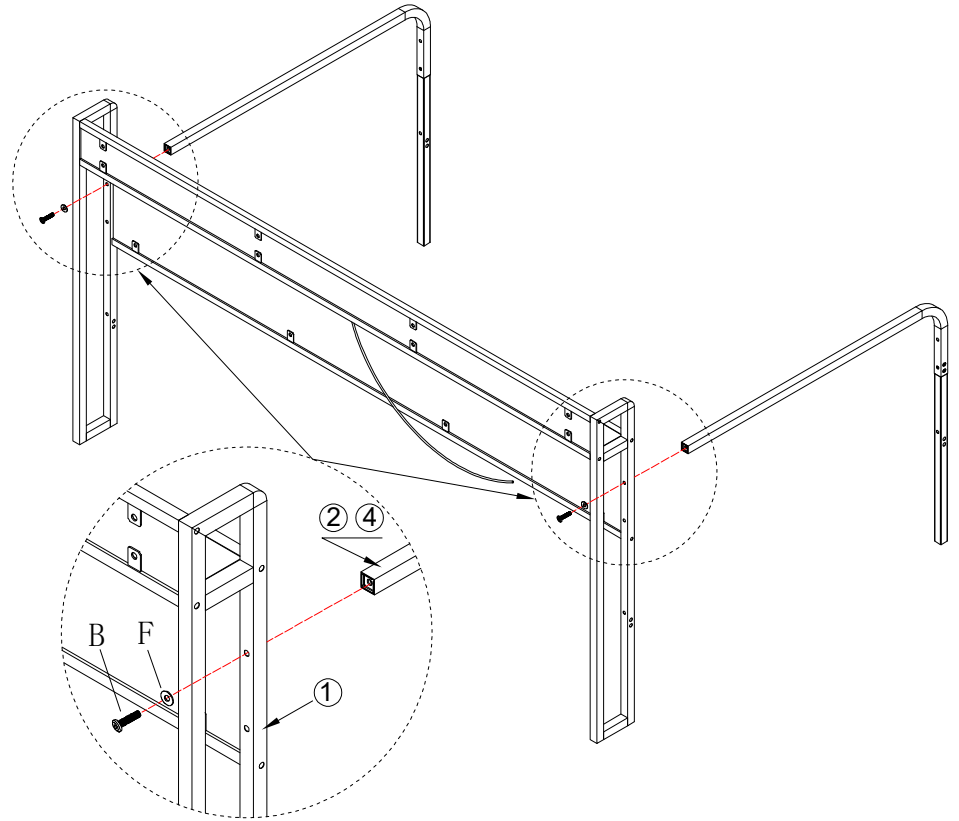
Step6

E		M6*12	6PCS
H		S4	






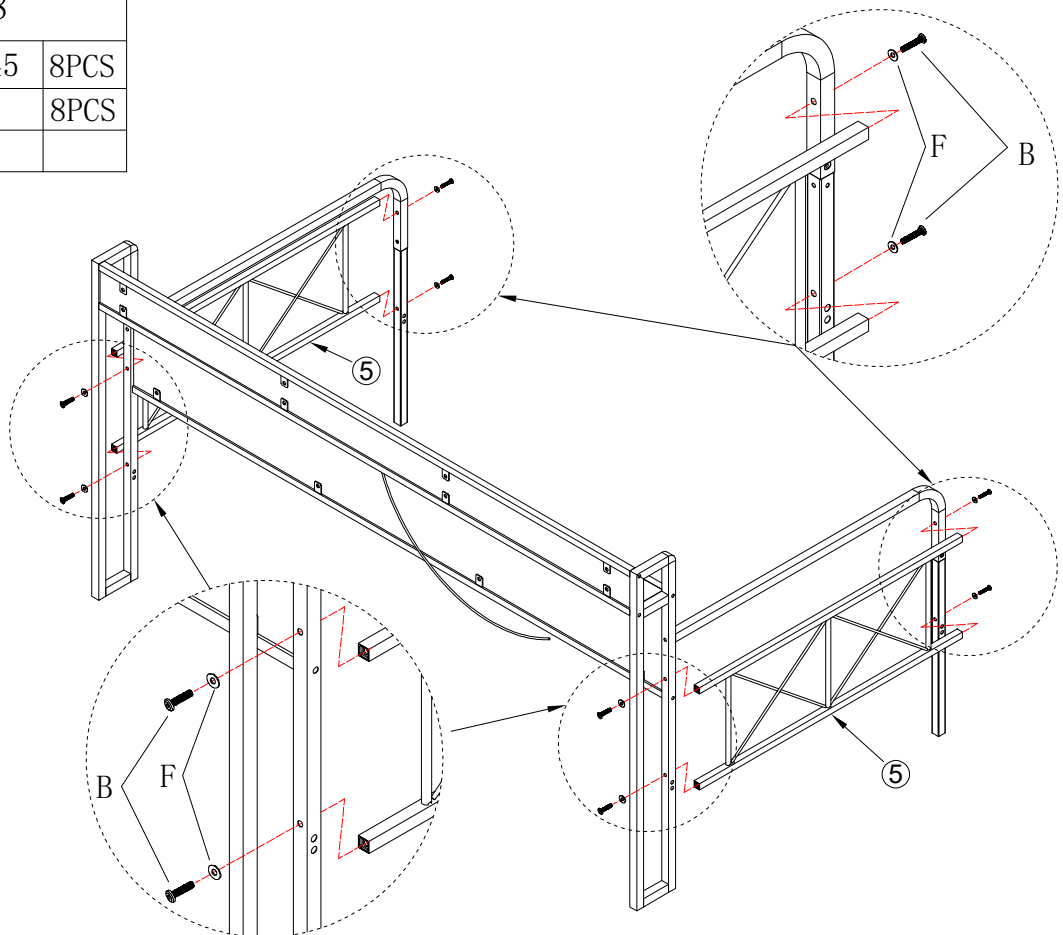
Step7

B		M6*45	2PCS
F		Ø6	2PCS
H		S4	





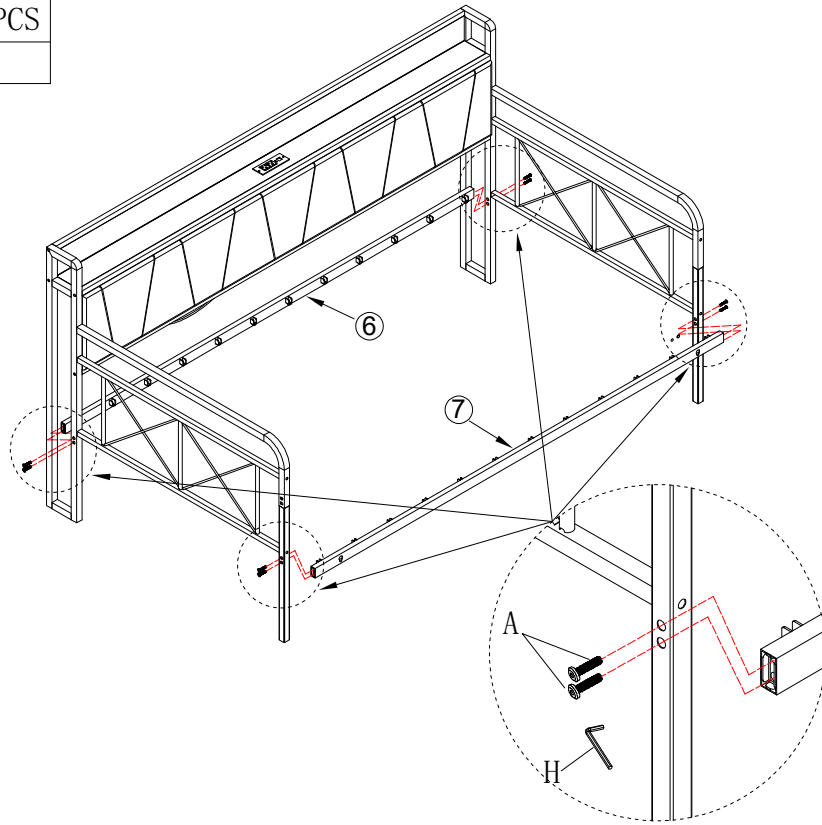
Step8

B		M6*45	8PCS
F		Ø6	8PCS
H		S4	





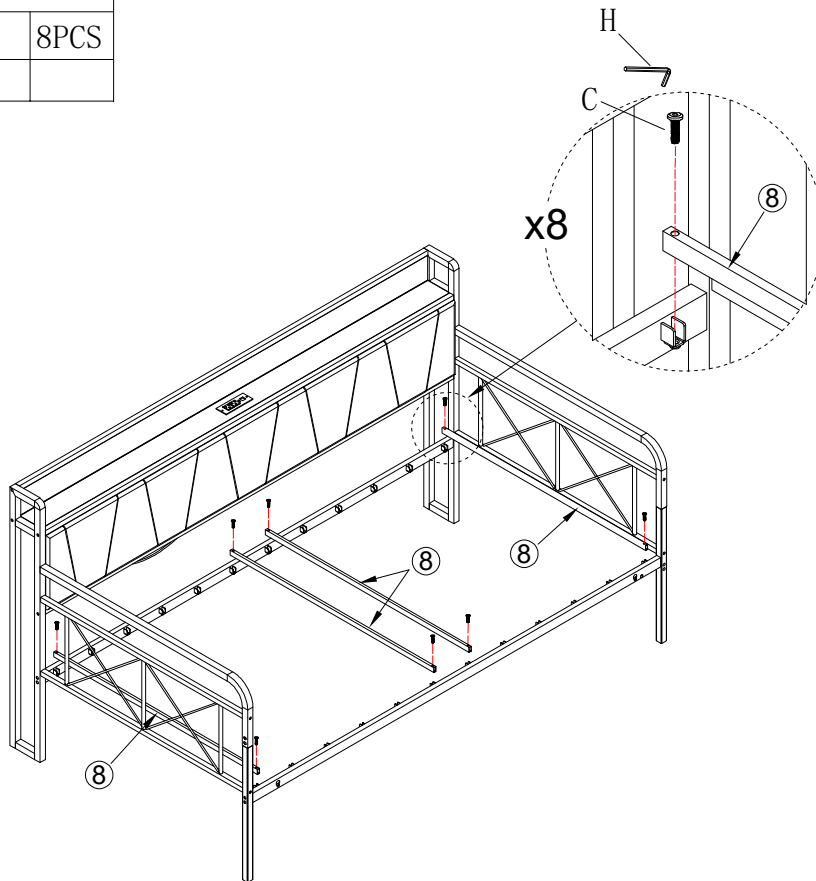
Step9

A		M8*40	8PCS
H		S4	

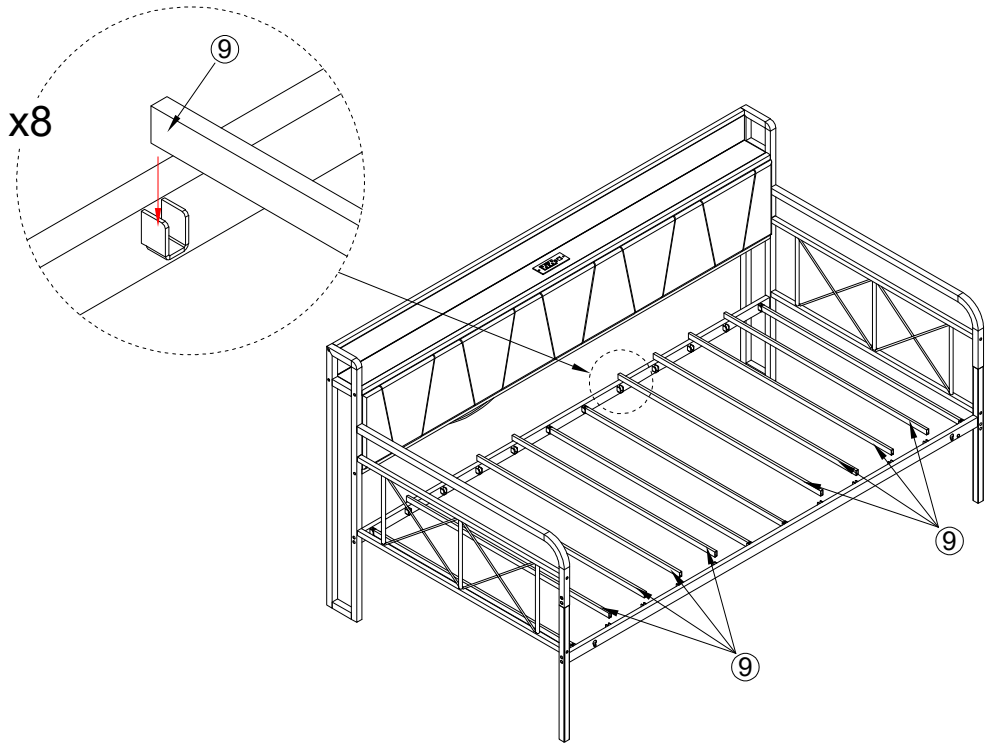


Step10

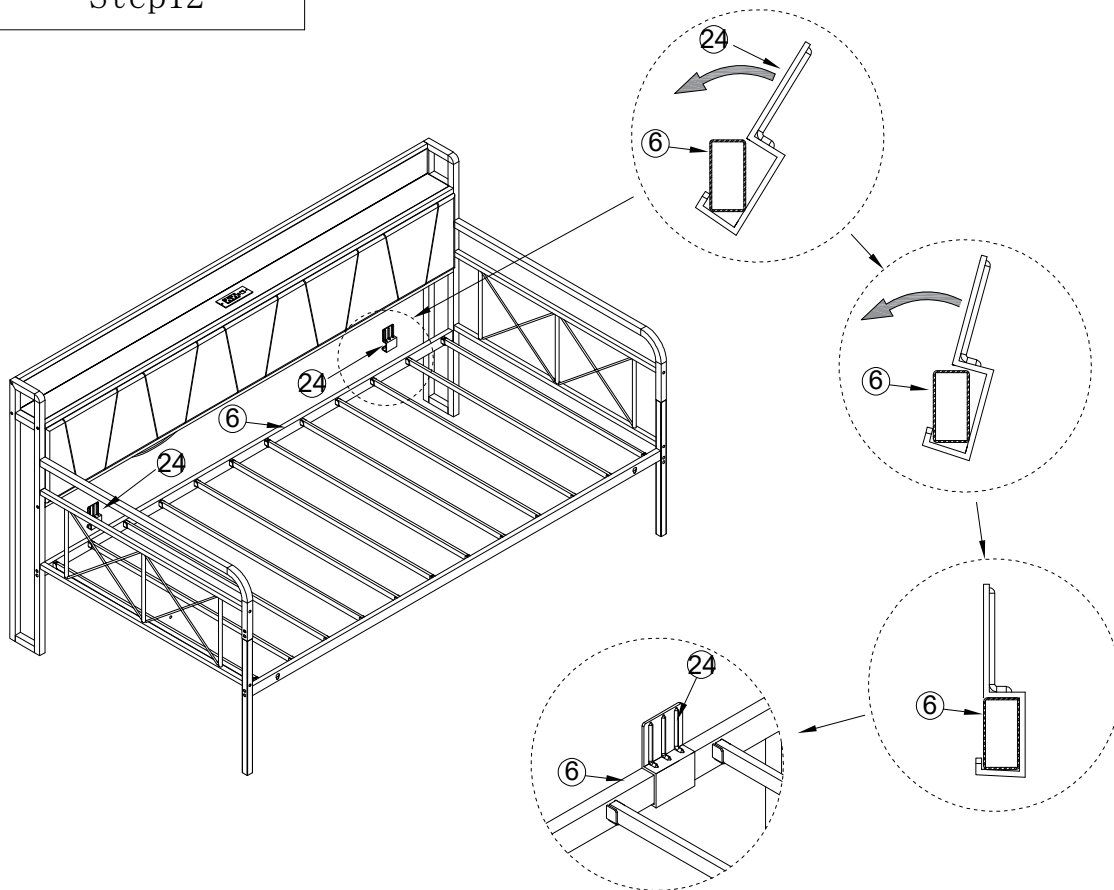
C		M5*25	8PCS
H		S4	



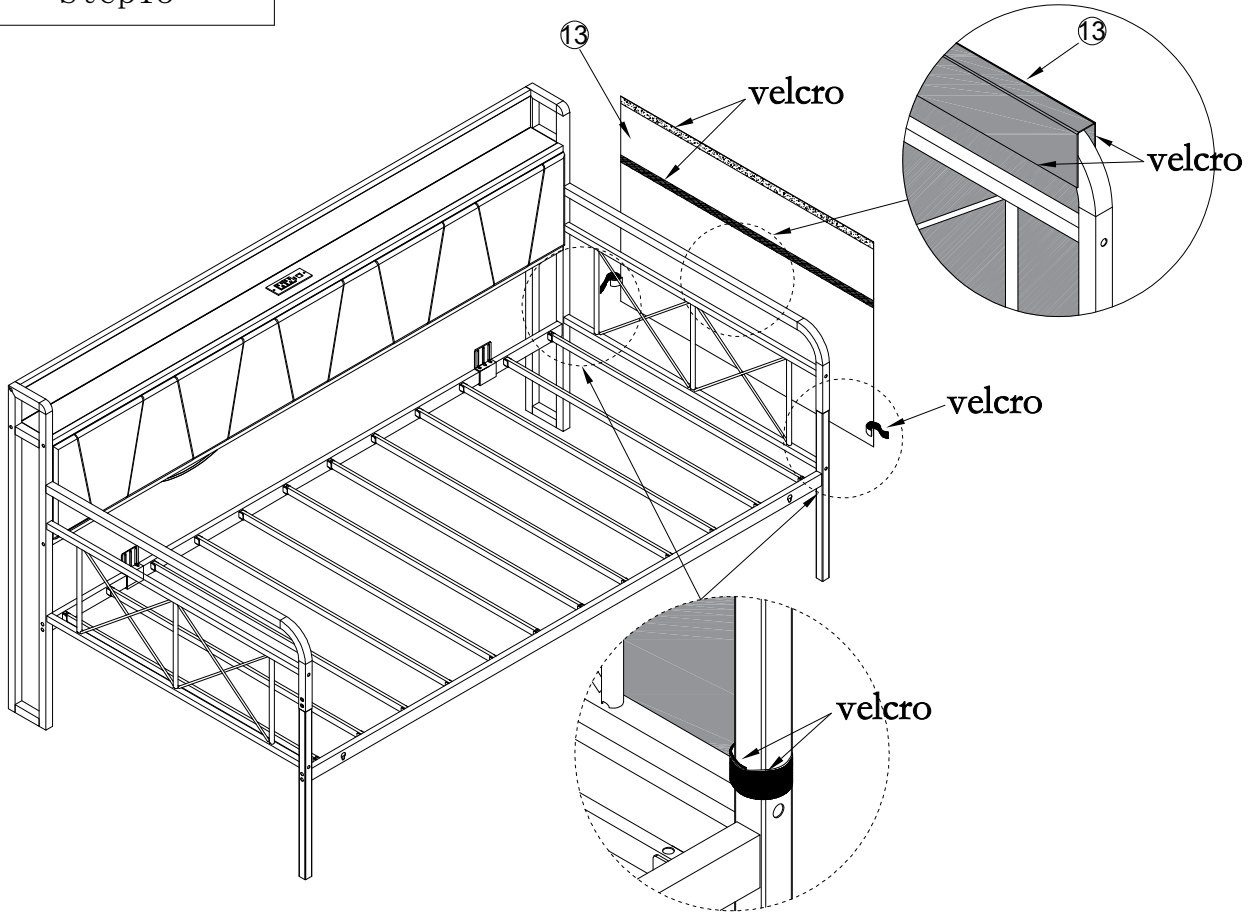
Step11





Step12

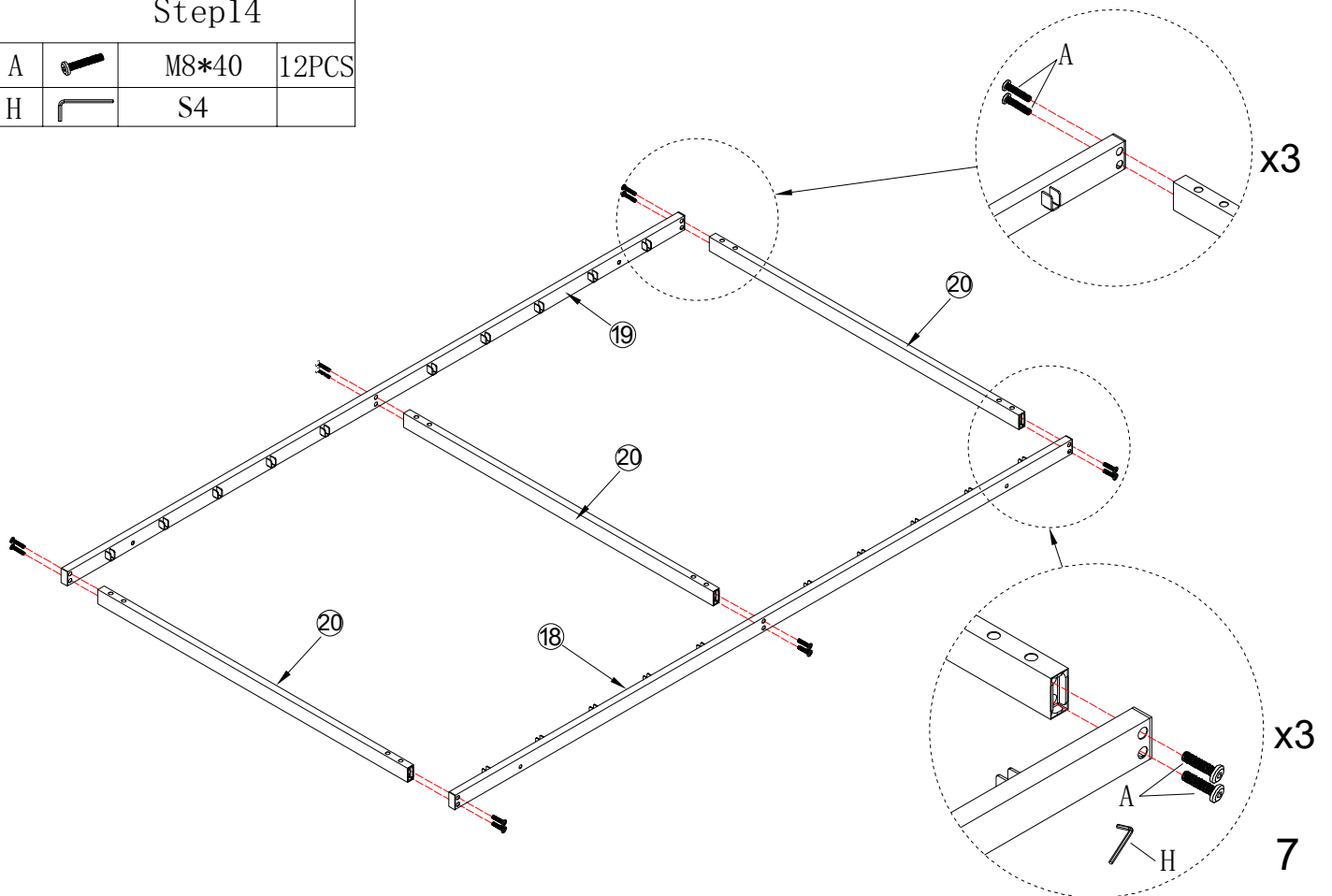


Step13






Step14

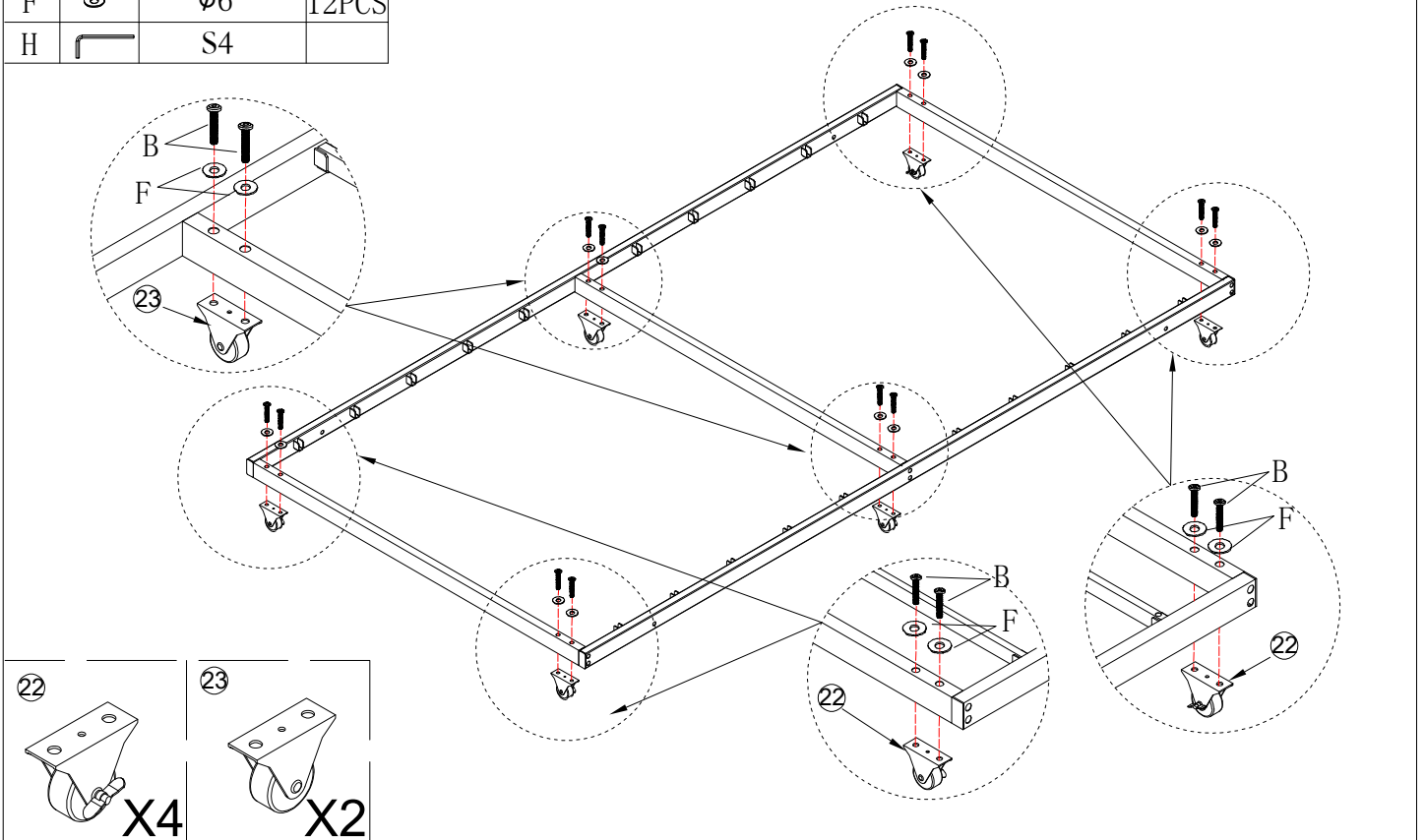
A		M8*40	12PCS
H		S4	





Step15

caster wheels with brakes
Please install the wheel with brake pads facing inwards.

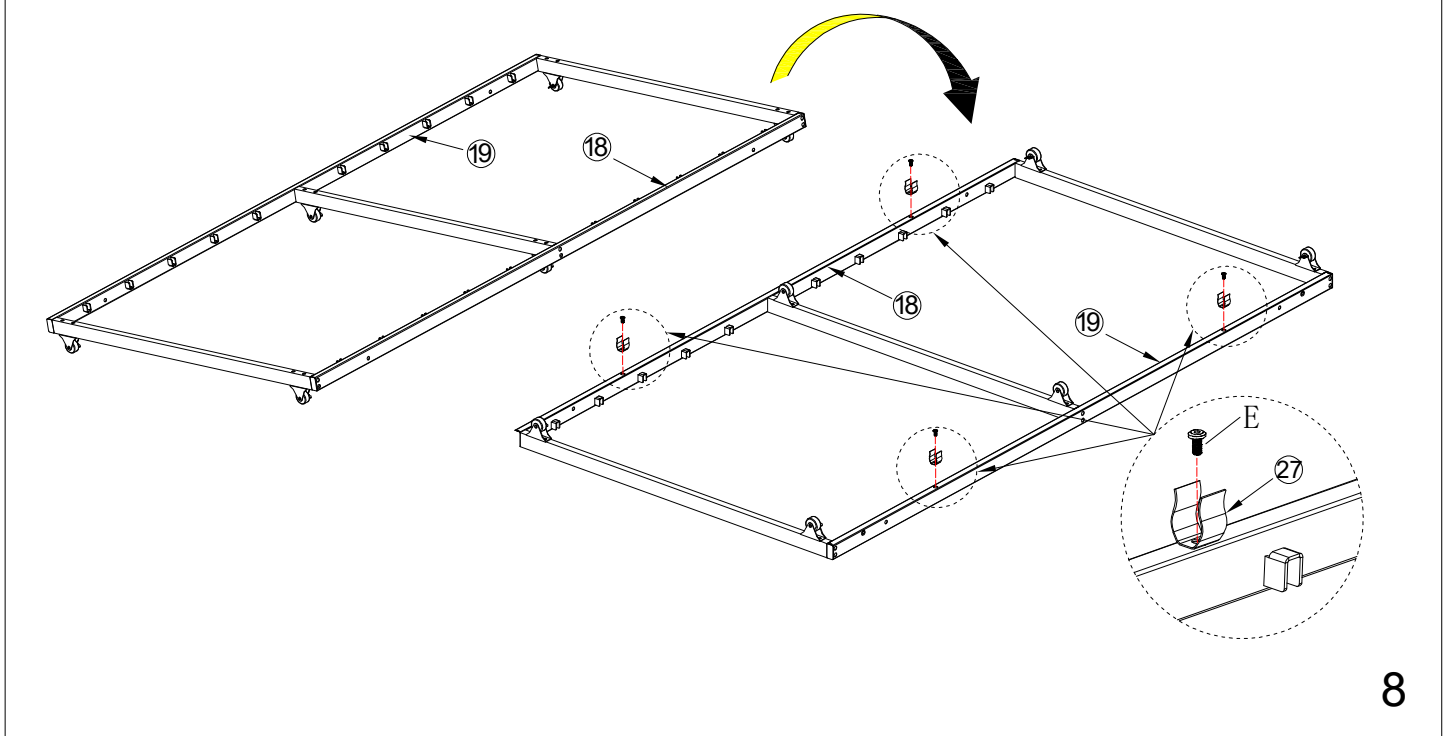
B		M6*45	12PCS
F		Ø6	12PCS
H		S4	



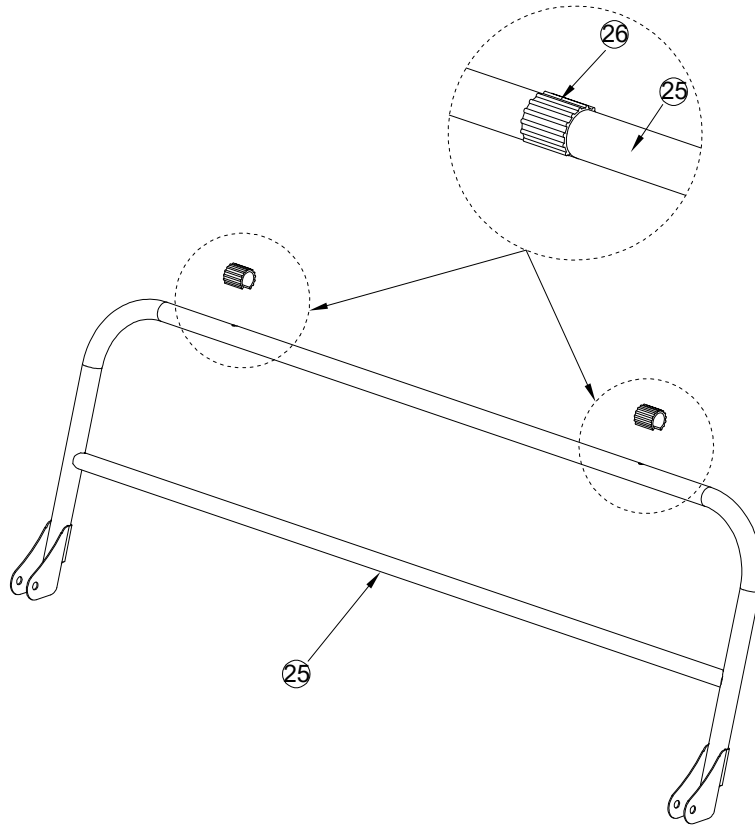
Step16

E		M6*12	4PCS
H		S4	

Flip to the bottom






Step17



x2

Step18

J		M6*15	4PCS
K		M6*20	4PCS
H		S4	2PCS

