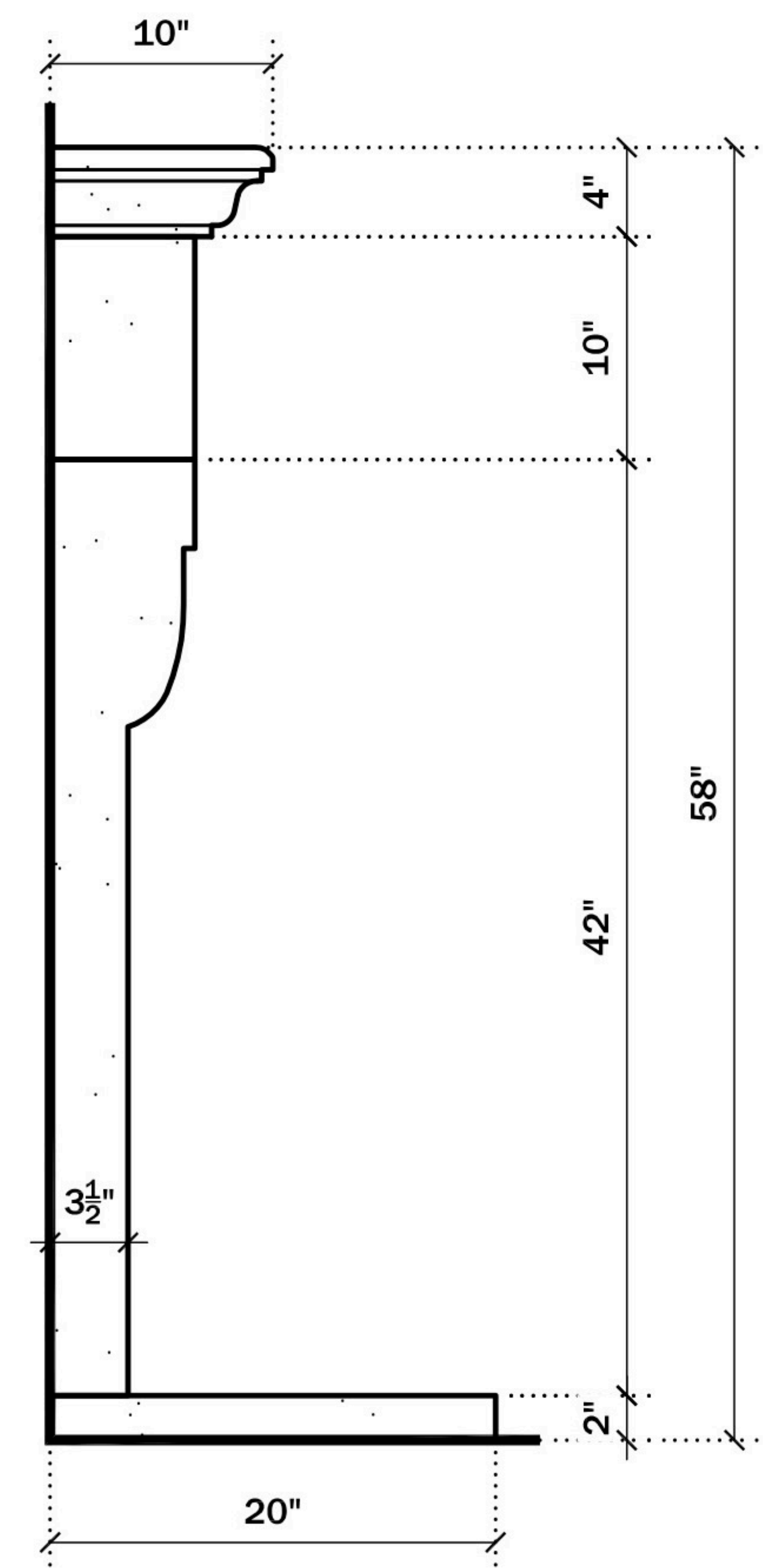
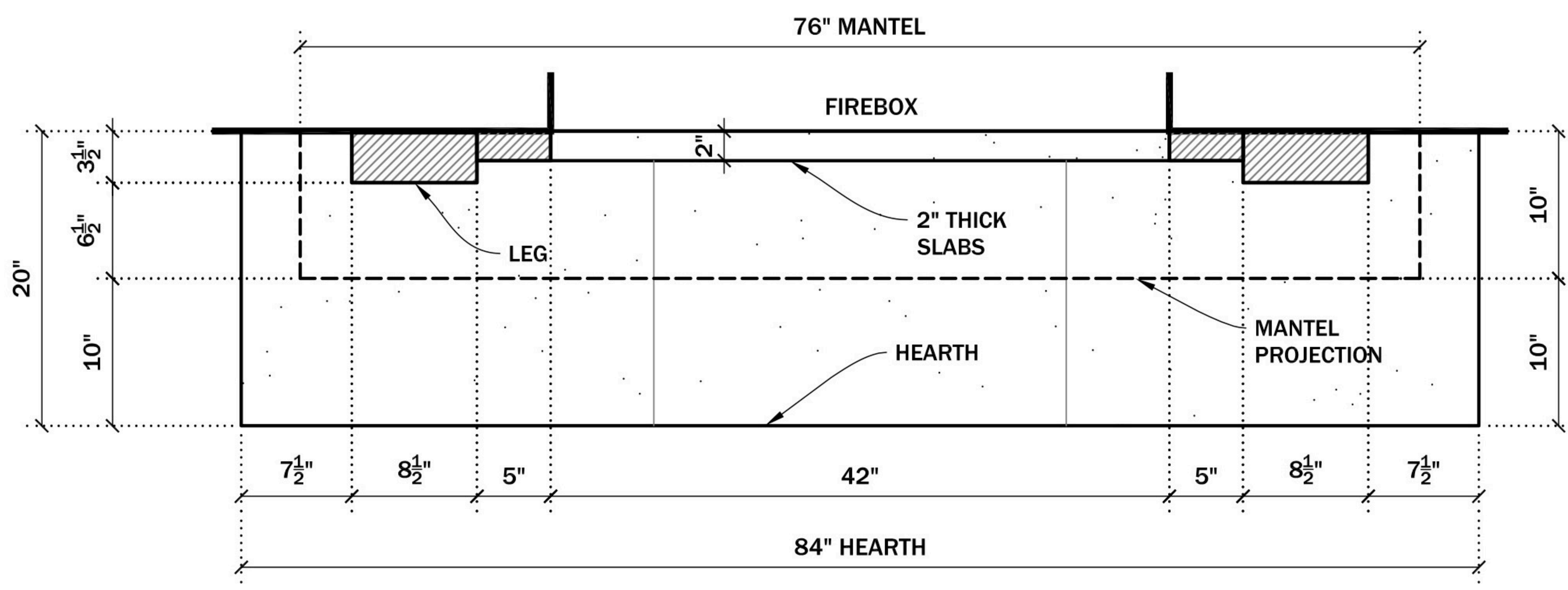


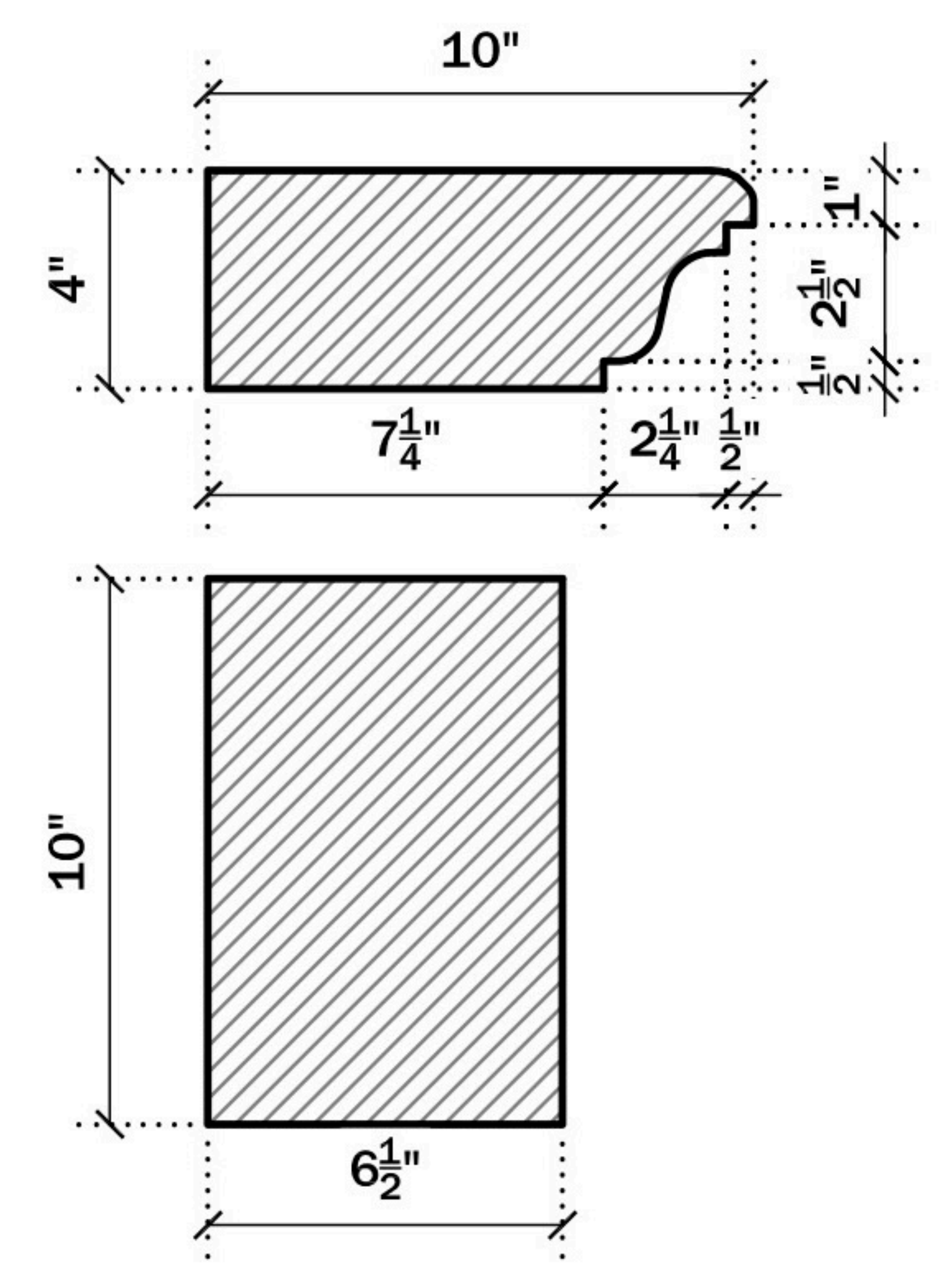
FRONT ELEVATION



SIDE VIEW



PLAN VIEW



MANTEL PROFILE

WFR-Sonoma Ridge  
 ARCHITECTURAL STONE ELEMENTS, LLC.