

WIRE CONNECTION DIAGRAM

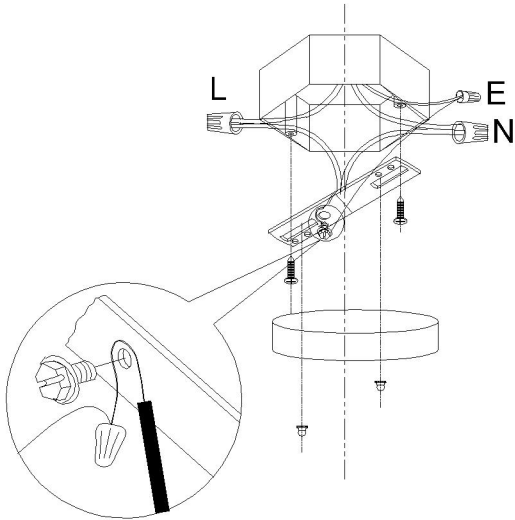
Wires met safety standards are recommended to connect the supply circuit.

CAUTION: Risk of fire

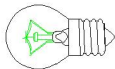


CANOPY INSTALLATION INSTRUCTIONS

Please read all instructions carefully. Before you proceed to install, make sure that the power supply is turned off and remains off until installation is complete.



Light Bulb (Not included)



E26

USER MANUAL FOR MODEL# 19003-1

Dear Customer

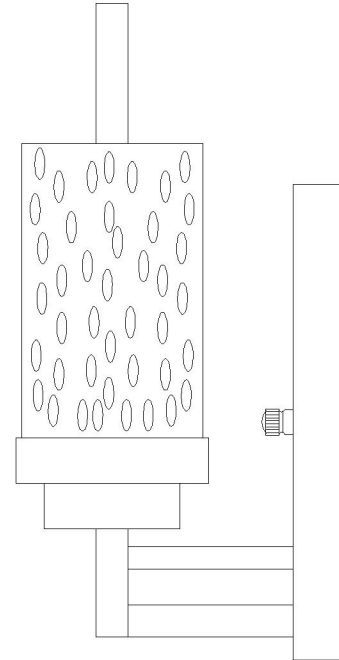
Thank you for your business!

If you have any question or problem, please text or call us at 870-9498466. We want you to be completely satisfied with your purchase.

Product review means the world to us, if you want to share your experience you can leave a short product review.

Thank you

Zgear Team



(Rated 110-130V/60Hz, bulb 35W-60W maximum.)

Assembly and Installation Steps

Step 2

- 1A. Lock the crossbar to the wall junction box with the 2 PC 5/32 screws in the accessory bag.
1B. Connect the wires. The black line is positive (+). White line is negative (-)

Step 3

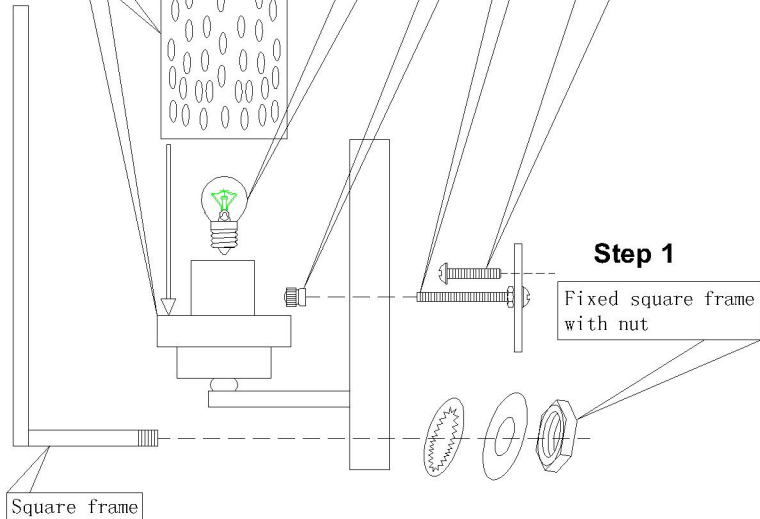
Hang the light on the wall and fix the screw to the nut.

Step 4

Install E26 bulb(not included).

Step 5

Place round glass



Please note: The parts in this table are completely unassembled, for illustrative purpose. In the actual product that you receive, some parts are assembled and attached together.

