

## OPAL-L

60" X 32" Rectangular 3-Wall Alcove Bathtub  
GLOSSY WHITE

# CONDRIS



## SPECIFICATIONS

### SHAPE

- Rectangular

### SIZE

- Length: 60" (1520mm), Width: 32" (810mm), Height: 21-1/2" (545mm)

### MATERIAL

- Acrylic

### DRAIN HOLE

- Left Hand

### WEIGHT

- Gross weight: 88 lbs. (40kg) Net weight: 66 lbs. (30kg)

### CAPACITY

- 46 gallons (175 Liters)

### INSTALLATION TYPE

- Against the wall

### DRAIN SET

- Drain kit is not included

### COMPLIANCE CERTIFICATIONS

Meets or Exceeds the Following Specifications:

- CSA B45.5-22/IAPMO Z124-2022
- cUPC

### WARRANTY

• Most products or parts carry "Limited Warranties" against manufacturing defects as defined below. Please visit [condrisbath.com](http://condrisbath.com) for complete product and finish warranty.

---

For bulk purchase or check out other models

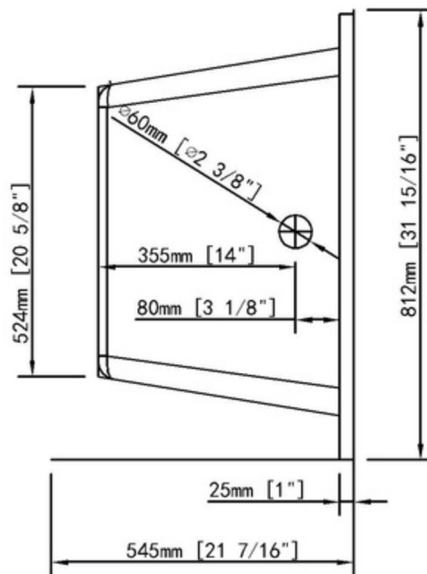
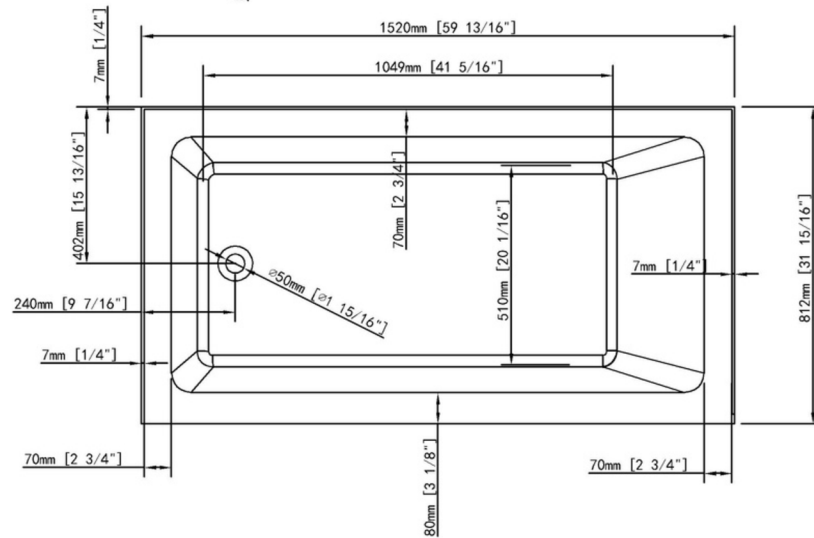
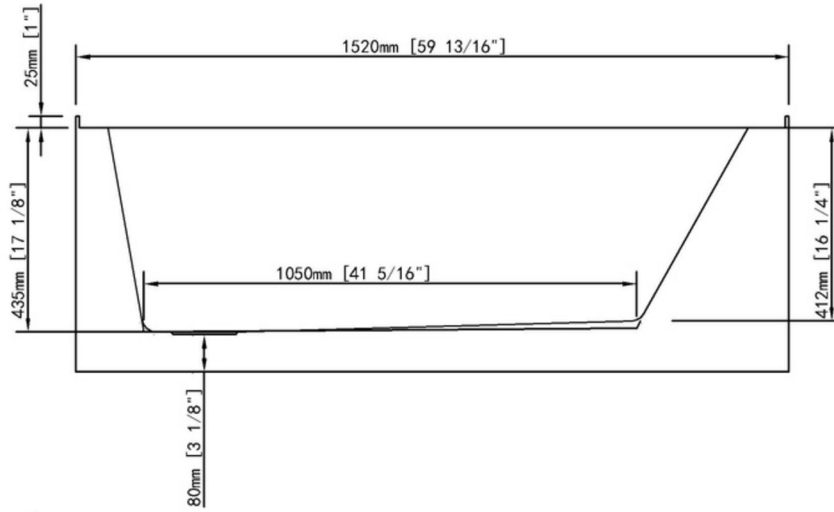
please contact:

[Info@condrisbath.com](mailto:Info@condrisbath.com)

# OPAL-L

60" X 32" Rectangular 3-Wall Alcove Bathtub  
GLOSSY WHITE

# CONDRIIS



For bulk purchase or check out other models  
please contact:

Info@condrisbath.com