

ASSEMBLY INSTRUCTIONS

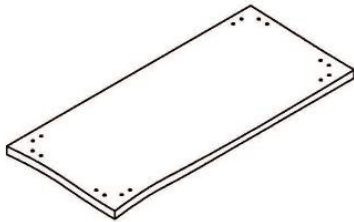
Do not fully tighten bolts & screws until the entire item is completely assembled.
Two People required for assembly.

Hardware



A
16X

Components



B
1X



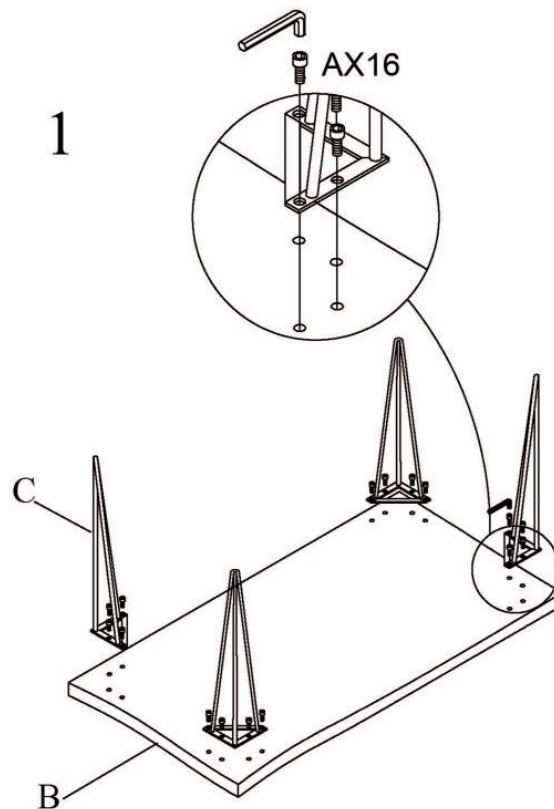
C
4X

Tool Required

Power tool not recommended
recommandée



Assembly Instructions



For user safety periodically verify tighten all fittings