

## 8" Round Commercial Recessed LED 40W



**Type IC, Air-Tight & Wet**

### DESCRIPTION

8" Round Recessed LED With Integral Driver In Connection Box  
Commercial Grade Quality Built to Last

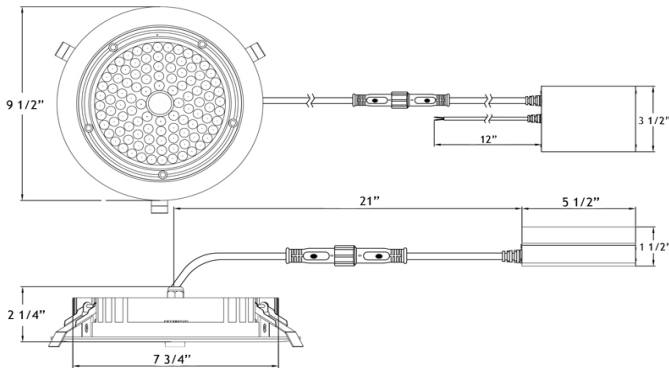
### FEATURES & BENEFITS

2 1/4" Deep - Install Where Ceiling Space Is Limited  
Type IC Rated - No Housing Required  
Fast & Easy To Install - Save On Labor  
Driver Inside Connection Box - No Junction Box Needed  
Wet Location IP65 Approved

### MOUNTING

Cut Hole In Ceiling And Snap Fixture In Opening With Attached Spring Clips. Ceiling Clearance Required: 2 1/4"

**DIMENSIONS:** ID 7 3/4" OD 9 1/2" Cut Out 8" to 8 1/2"



120V - 277V Driver Included 0-10V Dimmable



**ORDERING GUIDE** Example: **LL8R - 30K - WH**

LL8R	CCT	Trim Finish	
	3000K	<b>30K</b>	
4000K	<b>40K</b>	<b>BK</b>	Black

Project: \_\_\_\_\_

Location: \_\_\_\_\_

Cat #:

Qty: \_\_\_\_\_

Notes: \_\_\_\_\_

### SPECIFICATION

SPECIFICATION	
Applications	High Ceilings Recessed Mount
Energy Used	40 W
Color Temperature K	3000   4000
Light Output lm	4500   4700
Equivalent	75 W MH HPS
Beam Angle	45°
CRI	80
Default Driver Input	120V-277V AC 0-10V Dimmable
Optional Driver Input	347V AC 0-10V Dimmable
Power Factor	0.95
Approved Location	Insulated Ceilings, Wet Locations
IP Rating	IP 65
Air Tight	Yes
Ambient Temperature	-40°F (-40°C) to +104°F (+40°C)
Projected Life	70% Light Output at 50,000 Hours
Certification	cULus, Energy Star
Warranty	5 Year

### AVAILABLE TRIMS



White



Black

### ACCESSORIES

Sold Separately



Low Voltage Extensions 6ft cat # **BXC6**  
FT4 / CMR rated. Max 40 ft Allowed



Pendant Mount Kit cat # **PMK810**  
Includes Aircraft Cable & 6ft Extension



347V Input Driver 0-10V Dimmable  
Order Separately as cat # **LLL-LD40WH**



Goof Ring White OD 10 1/2" cat # **GR810**

### COMPLIANCE



**Type IC**  
**Air-Tight**