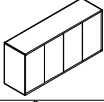
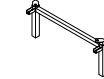
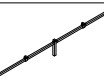







# Assembly Instructions

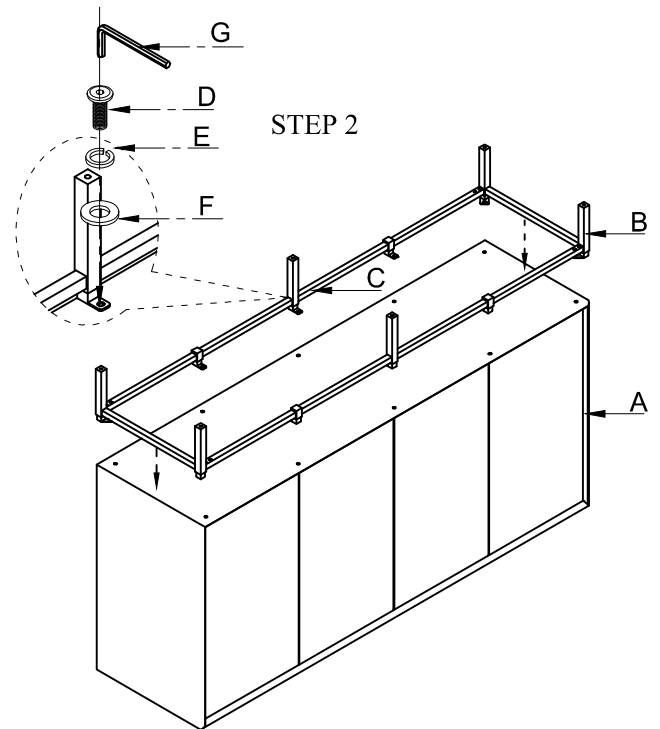
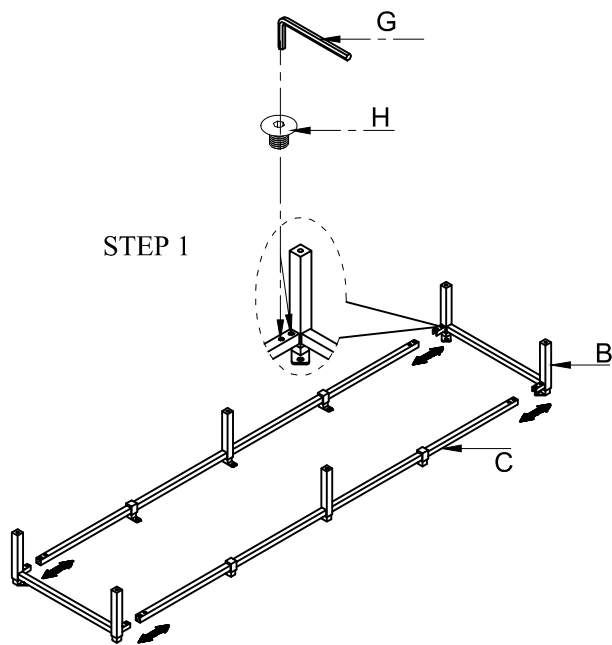
Thank you for purchasing this quality product. Be sure to check all packing material carefully for small parts that may have come loose inside the carton during shipment. (Note: Loosely thread all screws/bolts first. Once the item is assembled then completely tighten.)

## PARTS LIST:

NO.	Description	Sketch	Quantity
A	Top		1pc
B	Legs		2pcs
C	Center Legs		2pcs

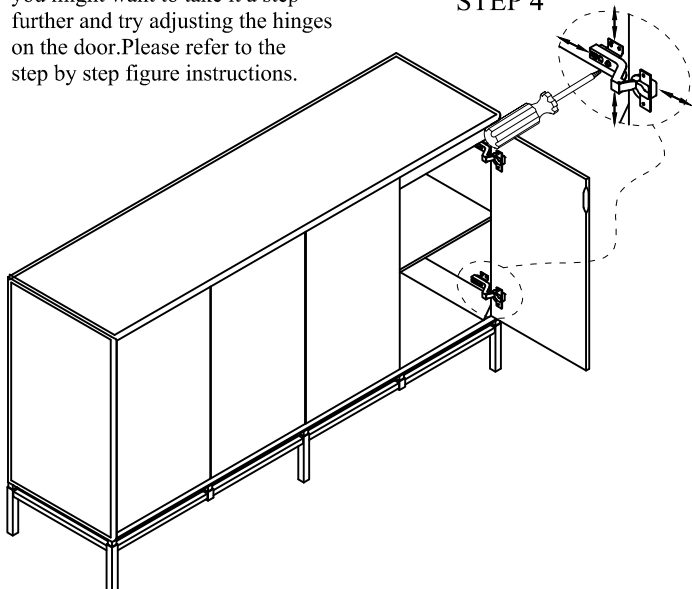
## HARDWARE LIST

NO.	Sketch	Description	Size	Quantity
D		Bolts	Ø1/4"×5/8"	10pcs
E		Flast washer	Ø1/4"	10pcs
F		Look washer	Ø1/4"×5/8"	10pcs
G		Allen wrench	M4*65L	1pc
H		Bolts	Ø1/4"×1/2"	8pcs



Tips B: If Tip A does not correct, you might want to take it a step further and try adjusting the hinges on the door. Please refer to the step by step figure instructions.

### STEP 4



Tips: for a aligning doors:

Tip A: Sometimes the doors will not line up because of an uneven floor surface the furniture reats on. In that case, try adjusting the levelers found on the bottom of each foot to aid in corecting.

### STEP 3

