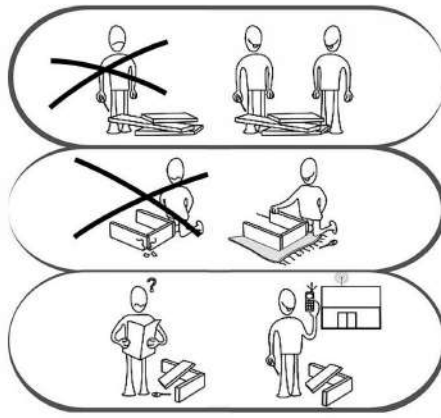
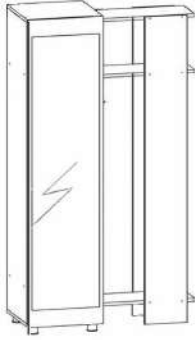
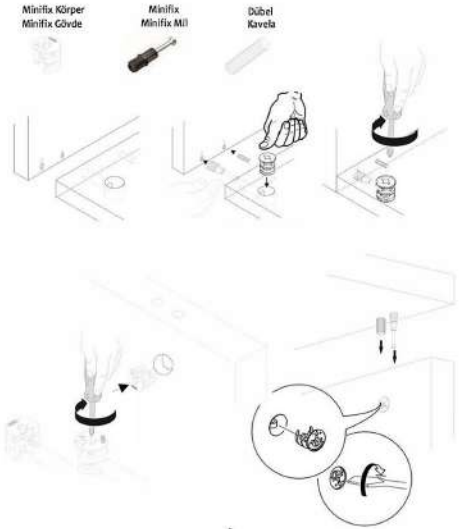


ASSEMBLY INSTRUCTIONS



Minifix is the main connection material used in dekorister products. Before starting assembly, please check the drawings below...



Dear Customer,
The product you bought was subjected to all kinds of tests and control before sending out to you. Even in this situation, sometimes happen that some component is damaged during the transportation. In such case please do not send the whole article back to us. Just rearrange or the damaged part. When requesting the replaced part, describe it exactly by looking to service card. Missing part will be sent to you as soon as possible. Before start assembly, please check the whole components and accessories according to the lists. After being sure that every part and accessory are okay and right, start assembling. Before start assembling, please cover all the components with a clean cloth. If you bought more than one product, to prevent confusion be sure that you completed the first product. Then start the other product's assembling. Never show the products. When starting, disassemble and fit the product and carry with minimum 2 people. For long distances carry the product with the package. It is very easy to clean the surfaces of your product. It is enough to wipe with a damp and soapy cloth or other household detersive. Do not directly contact your furniture with excessive heat, cold and humidity because the product can be a stained.



In order to provide better service to you again and gain to the production process of the use of non-recycled waste material support, please let us... Let us preserve the environment for a better WORLD... Thank you for choosing us.

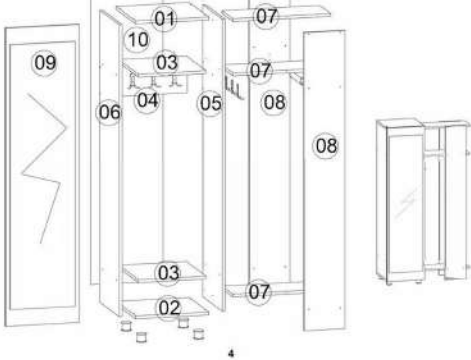
1



ACCESSORY LIST

A09	4x50	A10	3,5x18	A12	A13	A16	A 26x D 12x 5cm
	38x		48x	4x	4x		
A28	2x	A31	2x	A36	242 mm 1x	A47	6x 4x

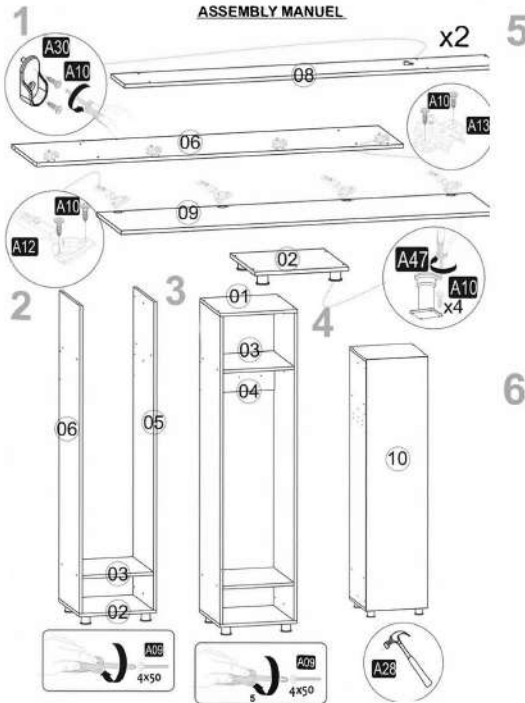
GENERAL VIEW



4

2

ASSEMBLY MANUAL



5

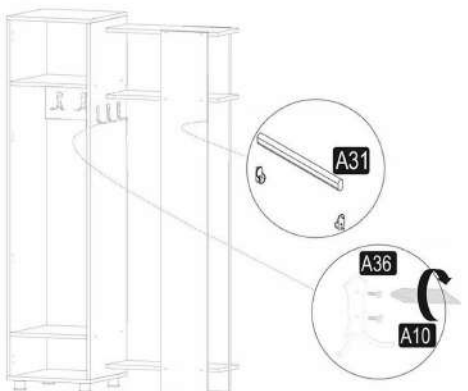
3



6

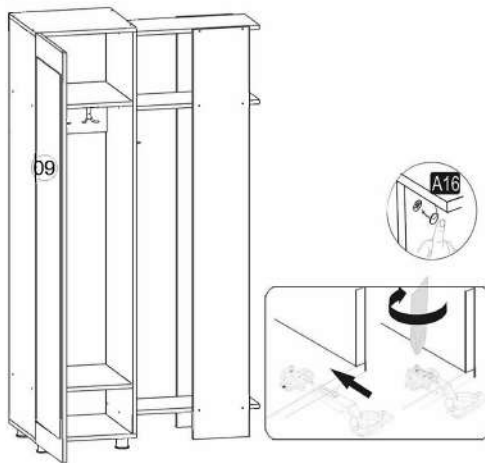


7



7

8



8